

HP1486 -UN-01JAN94



JOHN DEERE 7721 COMBINE WITH BELT PICKUP AND PICKUP PLATFORM

(SPECIFICATIONS AND DESIGN SUBJECT TO CHANGE WITHOUT NOTICE)

NOTE

IN ADDITION TO TITAN COMBINES, PARTS INFORMATION FOR TITAN II COMBINES IS ALSO LOCATED IN THIS CATALOG. SERIAL NUMBER (610601-) INDICATES TITAN II PARTS.

FOR 40 SERIES CORN HEAD PARTS INFORMATION, REFER TO JOHN DEERE 40 SERIES CORN HEAD PARTS CATALOG - PC-1223.

FOR 50 SERIES ROW-CROP HEAD PARTS INFORMATION, REFER TO JOHN DEERE 50 SERIES ROW-CROP HEAD PARTS CATALOG - PC-1549.

FOR 50A SERIES ROW-CROP HEAD PARTS INFORMATION, REFER TO JOHN DEERE 50A SERIES ROW-CROP HEAD PARTS CATALOG - PC-1747.

FOR THREE-ROLLER BELT PICKUP PARTS INFORMATION, REFER TO JOHN DEERE THREE-ROLLER BELT PICKUP PARTS CATALOG - PC-1189.

IMPORTANT

THIS PARTS CATALOG CONTAINS COMPLETE PARTS INFORMATION ON THE 7721 COMBINE. VINTAGE IS DETERMINED BY SERIAL NUMBERS UNDER WHICH COMBINES WERE MANUFACTURED. IT IS IMPORTANT THAT THE CORRECT SERIAL NUMBER BE USED WHEN ORDERING PARTS.

SERIAL NUMBERS

WHEN WRITING ABOUT OR FILLING OUT WARRANTY CLAIMS, USE ALL NUMBERS, LETTERS AND SPACES SHOWN ON THE SERIAL NUMBER PLATE.

SEPARATOR SERIAL NUMBER PLATE

E7721007001H

E - DESIGNATES EQUIPMENT
7721 - DESIGNATES COMBINE MODEL
007001 - DESIGNATES COMBINE SERIAL NUMBER
H - DESIGNATES FACTORY (HARVESTER WORKS)

THE SEPARATOR SERIAL NUMBER PLATE IS LOCATED ON THE REAR LEFT-HAND UPRIGHT.

SERIAL NUMBER LISTING INFORMATION

SERIAL NUMBER INFORMATION IS LISTED TO SHOW ON WHICH MACHINES EACH PART CAN BE USED; FOR EXAMPLE:

- THE PART CAN BE USED ON ALL MACHINES.
- 000000- THE PART CAN BE USED ON ALL MACHINES BEGINNING WITH THE SERIAL NUMBER LISTED.
- 000000 THE PART CAN BE USED ON ALL MACHINES UP TO AND INCLUDING THE SERIAL NUMBER LISTED.
- 000000-000000 THE PART CAN BE USED ON ALL MACHINES BETWEEN AND INCLUDING THE SERIAL NUMBERS LISTED.

WHEN XXXXXX'S ARE LISTED IN PLACE OF A SERIAL NUMBER, A SERIAL NUMBER CHANGE WAS MADE BUT THE EXACT SERIAL NUMBER WAS NOT AVAILABLE WHEN THE CATALOG WAS PRODUCED.

DIRECTION ARROW

ARROWS ARE USED WITH ILLUSTRATIONS TO INDICATE THE FRONT OF THE UNIT. "RIGHT-HAND" AND "LEFT-HAND" SIDES ARE DETERMINED BY FACING IN THE DIRECTION OF MACHINE FORWARD TRAVEL.

BOX-ENCLOSED ILLUSTRATIONS

A KEY NUMBER, SHOWN IN THE PARTS LIST, IS ASSIGNED TO A BOX ENCLOSING ALL PARTS SOLD AS A SERVICE ASSEMBLY. A BOX NOT KEYED INCLUDES NON-CURRENT PARTS.

KITS

KIT INFORMATION WILL BE FOUND IMMEDIATELY FOLLOWING THE STORY IN WHICH IT IS USED. THE ILLUSTRATION IS REPEATED WITH ONLY THE KIT PARTS CALLED OUT AND WITH ALL OTHER PARTS SHOWN IN PHANTOM FOR RELATIONSHIP.

JDM REMANUFACTURED COMPONENTS

THE SERVICE PARTS LISTED IN THIS CATALOG ARE INTENDED FOR THE REPAIR OF ORIGINAL EQUIPMENT COMPONENTS. ALTHOUGH MOST SERVICE PARTS MAY BE USED TO REPAIR REMANUFACTURED COMPONENTS, THE REMANUFACTURED DESIGN MAY CHANGE PARTS SUFFICIENTLY SO THAT SERVICE PARTS ARE INADEQUATE OR NOT USABLE.

BOLT AND CAP SCREW STRENGTH IDENTIFICATION

BOLTS AND CAP SCREWS REQUIRED TO HAVE HIGH-STRENGTH QUALITIES EQUIVALENT TO SAE GRADE 8 ARE IDENTIFIED THROUGHOUT THIS CATALOG BY THE DESCRIPTION HS SAE 8. ALL STANDARD BOLTS AND CAP SCREWS ARE SAE GRADE 5 OR LOWER.

COMPLETE GOODS LISTINGS

COMPLETE GOODS ARE LISTED IN BOLD FACE TYPE. ORDER SEPARATELY. DO NOT INCLUDE ON REPLACEMENT PARTS ORDER.

SI UNITS OF MEASURE

METRIC DIMENSIONS ARE GIVEN, WHERE APPLICABLE, THROUGHOUT THIS PARTS CATALOG.

TRADEMARKS

THROUGHOUT THIS PARTS CATALOG, YOU WILL FIND THE FOLLOWING DEERE & COMPANY TRADEMARKS:

DIAL-A-MATIC™
HARVESTRAK™

TORQ-GARD SUPREME®
QUIK-TATCH™

CHANGE INDICATOR LINE (MICROFICHE CATALOGS ONLY)

CHANGES AFFECTING THE ORDERING OF PARTS ARE IDENTIFIED BY VERTICAL LINES MARKED IN THE LEFT-HAND MARGIN OF REVISED PARTS LISTING IMAGES. A LINE IS ALSO AT THE LEFT-HAND EDGE OF THE SAME PART NUMBER IN THE NUMERICAL INDEX TO SHOW THE LOCATION OF REVISED INFORMATION.

SECTIONAL INDEX

	SECTION
GENERAL INFORMATION	10
ELECTRICAL	40
POWER TRAIN	50
HYDRAULICS	70
SEPARATOR SHELL	80
HEADERS - REFER TO INDIVIDUAL HEADER PARTS CATALOGS	100
FEEDER HOUSE	110
SEPARATOR	120
GRAIN TANK AND UNLOADING AUGER	130
MAJOR DRIVES	140
HEADER HEIGHT CONTROL	160
DECALS, BELTS AND CHAINS	170
NUMERICAL INDEX	180

ALPHABETICAL INDEX

GRID		PAGE	GRID		PAGE
	A				
2I23	ACTUATING SWITCH AND MOUNTING PARTS.....	160-10	1D1	BELT PICKUP HYDRAULIC PUMP MOUNTING	50-20
2C16	AIR DUCTS, CLEANING FAN	120-53	1E11	BELT PICKUP OIL LINES	70-35
2I22	AMPLIFIER AND BRACKET	160-9	1E2	BELT PICKUP PUMP	70-25
2B6	ARM, DUAL-RANGE CYLINDER DRIVE	120-15	1E6	BELT PICKUP PUMP BACK PLATE KIT	70-29
1D17	ARMATURE REPAIR KIT (AE37061)	70-15	2J9	BELT PICKUP PUMP DRIVE SHEAVES	170-4
1D19	ARMATURE REPAIR KIT (AH96359)	70-17	1E4	BELT PICKUP PUMP KIT	70-27
2H9	AUGER AND HOUSING, GRAIN TANK VERTICAL.....	130-27	1E2	BELT PICKUP SHEAVE.....	70-25
2H20	AUGER AND HOUSING, HORIZONTAL UNLOADING	130-39	2C9	BELT, BEATER.....	120-45
2H3	AUGER COVERS, GRASS SEED UNLOADING	130-21	2C10	BELT, BEATER.....	120-46
2H18	AUGER DRIVE GEAR CASE,HORIZONTAL UNLDG.	130-37	2A25	BELT, CYLINDER DRIVE INTERMEDIATE SHAFT	120-9
2G22	AUGER DRIVE TIGHTENERS,GRAIN TANK CROSS	130-15	2E11	BELT, DR. CTRSHAFT.,CLEAN GRAIN ELEVATOR.....	120-100
2H11	AUGER LOWER GEAR CASE, VERTICAL	130-29	2B1	BELT, DUAL-RANGE CYLINDER DRIVE INTERMEDIATE SHAFT	120-10
1E17	AUGER SWING HYDRAULIC CYLINDER,UNLOADING	70-41	2F7	BELT, GEAR CASE, LOADING AUGER.....	120-123
1E18	AUGER SWING HYDRAULIC CYLINDER,UNLOADING	70-42	2F24	BELT, REAR, STRAW CHOPPER	120-141
1E20	AUGER SWING HYDRAULIC CYLINDER,UNLOADING	70-44	2F12	BELT, STRAW CHOPPER DRIVE	120-129
1E17	AUGER SWING HYDRAULIC MOUNTING,UNLOADING....	70-41	2D11	BELT, STRAW SPREADER DRIVE	120-73
1E18	AUGER SWING HYDRAULIC MOUNTING,UNLOADING....	70-42	2C22	BELT,SHOE GRAIN SUPPLY AUGERS DR. SHAFT	120-59
1E20	AUGER SWING HYDRAULIC MOUNTING,UNLOADING....	70-44	2J10	BELTS AND SHEAVES	170-5
2H13	AUGER SWIVEL SHROUD,HORIZONTAL UNLOADING....	130-31	2J11	BELTS AND SHEAVES, BEATER DRIVE	170-6
2H15	AUGER SWIVEL, HORIZONTAL UNLOADING	130-33	2J11	BELTS, BEATER DRIVE	170-6
2H16	AUGER SWIVEL, HORIZONTAL UNLOADING	130-34	2J14	BELTS, CLEAN GRAIN ELEVATOR	170-9
2G24	AUGER, CROSS, GRAIN TANK FRONT	130-17	2J12	BELTS, DRIVE, CLEANING FAN	170-7
2G25	AUGER, GRAIN TANK REAR CROSS	130-18	2J8	BELTS, DRIVE, FEEDER HOUSE (REG. FIXED)	170-3
2F5	AUGER, LOADING	120-121	2J14	BELTS, LOADING AUGER	170-9
2E17	AUGER, LOWER TAILINGS	120-107	2J13	BELTS,DRIVE,SHOE GRAIN SUPPLY AUGERS.....	170-8
2E18	AUGER, LOWER TAILINGS	120-108	2G4	BLADE, STRAW SPREADER	120-147
2E2	AUGER, LOWER, CLEAN GRAIN.....	120-91	2F25	BLADES AND ROTOR, STRAW CHOPPER	120-142
2H21	AUGER, UNLOADING LUBE BANK SYSTEM	130-40	2G1	BLADES AND ROTOR, STRAW CHOPPER	120-143
2F2	AUGER, UPPER TAILINGS.....	120-118	2E7	BOOT, CLEAN GRAIN ELEVATOR HOUSING	120-96
2D2	AUGERS, HOUSING, SHOE GRAIN SUPPLY.....	120-63	1G2	BOTTOM SHEETS, FEEDER HOUSE	110-9
2C22	AUGERS, SHOE GRAIN SUPPLY DRIVE SHEAVE	120-59	1B5	BOX, CONTROL, LOW SHAFT SPEED MONITORS.....	40-16
2C22	AUGERS, SHOE GRAIN SUPPLY, DRIVE SHAFT	120-59	1F15	BOX, TOOL.....	80-11
2D4	AUGERS, SUPPLY, SHOE GRAIN.....	120-65	2E7	BRACE, CLEAN GRAIN ELEVATOR HOUSING	120-96
1C11	AXLE FRAME	50-5	2G11	BRACE, GRAIN TANK REINFORCEMENT	130-4
1C12	AXLE FRAME	50-6	2G12	BRACE, GRAIN TANK, REINFORCEMENT BRACE	130-5
	B		2A21	BRACES, SUPPORT, CYLINDER DRIVE.....	120-5
2B22	BAR, CYLINDER SHEAR.....	120-33	2A22	BRACES, SUPPORT, INTERMEDIATE DRIVE, DUAL-RANGE CYLINDER.....	120-6
1C11	BEAM, HITCH.....	50-5	2E5	BRACKET, CLEAN GRAIN ELEVATOR HOUSING	120-94
1C12	BEAM, HITCH.....	50-6	2I22	BRACKET, FRONT, AMPLIFIER	160-9
2B17	BEARING HSG.,CYL.SHAFT,LUBE BANK SYS-RH.....	120-27	1B11	BRACKET, HARVESTRAK CONSOLE	40-22
2C12	BEARING, BEATER, LUBE BANK SYSTEM-L.H.....	120-48	2D16	BRACKETS, CHAFFER FRAME	120-79
2C13	BEARING, BEATER, LUBE BANK SYSTEM-R.H.	120-49	2I19	BRACKETS, DIAL-A-MATIC.....	160-6
2E24	BEARINGS, TAILINGS ELEVATOR CONVEYOR.....	120-114	1A17	BRACKETS, MOUNTING, CONTROL BOX	40-3
2E25	BEARINGS, TAILINGS ELEVATOR CONVEYOR.....	120-115	1A18	BRKT., MTG., CONTROL BOX, DIAL-A-MATIC.....	40-4
2C9	BEATER	120-45		C	
2C10	BEATER	120-46	1B23	CABLE, WIRING.....	40-34
2C9	BEATER AND TACHOMETER DRIVE	120-45	1D25	CAP, HYDRAULIC OIL RESERVOIR	70-23
2C10	BEATER AND TACHOMETER DRIVE	120-46	1C23	CASE, GEAR	50-17
2C12	BEATER BEARING LUBE BANK SYSTEM-L.H.	120-48	2J22	CAUTION DECALS	170-17
2C13	BEATER BEARING LUBE BANK SYSTEM-R.H.	120-49	2D18	CHAFFER	120-81
2C9	BEATER BELT	120-45	2D14	CHAFFER FRAME	120-77
2C10	BEATER BELT	120-46	2D16	CHAFFER FRAME BRACKETS.....	120-79
2C5	BEATER DRIVE	120-40	2D14	CHAFFER FRAME COVER	120-77
2C6	BEATER DRIVE	120-41	2D16	CHAFFER FRAME SWINGERS.....	120-79
2J11	BEATER DRIVE SHEAVES AND BELTS	170-6	2E12	CHAIN, CONVEYOR, CLEAN GRAIN ELEVATOR	120-101
2C7	BEATER DRIVE, DUAL-RANGE	120-43	2D23	CHAIN, CRANK SHOE.....	120-87
2C9	BEATER FOR CYLINDER TACHOMETER.....	120-45	2J12	CHAIN, DRIVE, STRAW WALKER	170-7
2C10	BEATER FOR CYLINDER TACHOMETER.....	120-46	1G8	CHAIN, FEEDER CONVEYOR	110-15
2J10	BELT AND SHEAVES TORQ-SENSING CTRSHAFT	170-5	1C11	CHAIN, SAFETY, HITCH	50-5
1B19	BELT PICKUP DRIVE - ELECTRIC MOTOR	40-30	1C12	CHAIN, SAFETY, HITCH	50-6
1E7	BELT PICKUP FLOW CONTROL VALVE.....	70-30	2D12	CHAIN, STRAW WALKER	120-75
1E8	BELT PICKUP FLOW CONTROL VALVE KIT	70-31	2E24	CHAIN, TAILINGS ELEVATOR CONVEYOR	120-114

ALPHABETICAL INDEX - CONTINUED

GRID		PAGE	GRID		PAGE
	R				
2B8	RASP-BAR CYLINDER.....	120-17	1E2	SHEAVE, BELT PICKUP	70-25
2B9	RASP-BAR CYLINDER (DUAL-RANGE CYLINDER DRIVE)	120-18	2E12	SHEAVE, CHAIN, CLEAN GRAIN ELEVATOR.....	120-101
2C4	RATCHET, CONCAVE ADJUSTING SHAFT	120-39	2E10	SHEAVE, CLEAN GRAIN ELEVATOR	120-99
2G25	REAR CROSS AUGER, GRAIN TANK	130-18	2C22	SHEAVE, DRIVE, SHOE GRAIN SUPPLY AUGERS.....	120-59
1F12	REAR HOOD	80-7	2B11	SHEAVE, DUAL-RANGE CYLINDER GEAR CASE	120-20
1F13	REAR HOOD SUPPORT ROD	80-8	2F7	SHEAVE, GEAR CASE, LOADING AUGER	120-123
1F17	REAR JACKSTAND	80-13	2E17	SHEAVE, LOWER TAILINGS AUGER	120-107
1F14	REAR LADDER.....	80-9	2E13	SHEAVE, LOWER TAILINGS AUGER DRIVE	120-103
1B18	REAR REFLECTORS.....	40-29	1G10	SHEAVE, LOWER, FEEDER HOUSE	110-17
2F9	REAR SHIELD, SEPARATOR (R.H.).....	120-125	2F24	SHEAVE, STRAW CHOPPER ROTOR.....	120-141
1F17	REAR SUPPORT TUBE.....	80-13	2G4	SHEAVE, STRAW SPREADER	120-147
1B16	REFLECTOR, FRONT	40-27	2D11	SHEAVE, STRAW SPREADER DRIVE.....	120-73
1B18	REFLECTORS, REAR	40-29	2G20	SHEAVE, UNLOADING AUGER DRIVE	130-13
2G11	REINFORCEMENT BRACE, GRAIN TANK	130-4	2E11	SHEAVE,DR.CTRSHAFT.,CLEAN GRAIN ELEVATOR	120-100
2G12	REINFORCEMENT BRACE, GRAIN TANK	130-5	2J11	SHEAVES AND BELTS, BEATER DRIVE	170-6
2C2	REMOTE DUMP STONE TRAP	120-37	2J10	SHEAVES AND BELTS, CYLINDER DRIVE.....	170-5
1D25	RESERVOIR, HYDRAULIC OIL.....	70-23	2J16	SHEAVES AND SPROCKETS, TAILINGS ELEVATOR	170-11
2D7	RISER, STRAW WALKER	120-69	2J11	SHEAVES, BEATER DRIVE	170-6
1C15	ROD, CONTROL (HITCH TUBE).....	50-9	2J14	SHEAVES, CLEAN GRAIN ELEVATOR	170-9
1F13	ROD, SUPPORT, REAR HOOD	80-8	2J9	SHEAVES, DRIVE, BELT PICKUP PUMP	170-4
2F25	ROTOR AND BLADES, STRAW CHOPPER	120-142	2J12	SHEAVES, DRIVE, CLEANING FAN.....	170-7
2G1	ROTOR AND BLADES, STRAW CHOPPER	120-143	2J9	SHEAVES, DRIVE, PRIMARY COUNTERSHAFT	170-4
	S		2J14	SHEAVES, LOADING AUGER.....	170-9
1C11	SAFETY CHAIN, HITCH	50-5	2I5	SHEAVES, PRIMARY COUNTERSHAFT	140-9
1C12	SAFETY CHAIN, HITCH	50-6	2I6	SHEAVES, PRIMARY COUNTERSHAFT	140-10
1F6	SEALS, CYLINDER DOOR	80-1	2B8	SHEAVES, RASP-BAR CYLINDER	120-17
2I11	SECONDARY COUNTERSHAFT.....	140-15	1G12	SHEAVES, UPPER, FEEDER HOUSE	110-19
2I13	SECONDARY COUNTERSHAFT DRIVE IDLER	140-17	2J8	SHEAVES,DRIVE,FEEDER HOUSE (REG. FIXED).....	170-3
1B22	SENSING UNIT, STRAW WALKER PLUGGING	40-33	2J13	SHEAVES,DRIVE,SHOE GRAIN SUPPLY AUGERS	170-8
1B3	SENSOR, HITCH TUBE.....	40-14	1G2	SHEETS, BOTTOM, FEEDER HOUSE	110-9
1B2	SENSOR, SHORT TURN.....	40-13	1F23	SHEETS, FRONT, FEEDER HOUSE	110-5
1B3	SENSOR, SHORT TURN.....	40-14	2G13	SHEETS, GRAIN TANK	130-6
1A24	SENSOR, TACHOMETER CYLINDER SPEED.....	40-11	1G4	SHEETS, SIDE, FEEDER HOUSE	110-11
2D5	SEPARATOR CURTAINS.....	120-67	1F25	SHEETS, TOP, FEEDER HOUSE	110-7
1F10	SEPARATOR L.H. SIDE SHEETS AND FRAME	80-5	2H5	SHIELD AND HOUSING, GRAIN TANK SUMP	130-23
1B5	SEPARATOR MAIN HARNESS.....	40-16	2H6	SHIELD AND HOUSING, GRAIN TANK SUMP	130-24
1B7	SEPARATOR MAIN HARNESS AND SHAFT MONITORS.....	40-18	1C17	SHIELD AND TELESCOPING POWERSHAFT.....	50-11
1F8	SEPARATOR R.H. SIDE SHEETS AND FRAME	80-3	2A18	SHIELD, CYLINDER DRIVES	120-1
2F9	SEPARATOR REAR SHIELD (R.H.)	120-125	2I1	SHIELD, DRIVE, PRIMARY COUNTERSHAFT	140-5
2A19	SEPARATOR RIGHT-HAND SHIELD	120-3	2B15	SHIELD, DUAL-RANGE CYLINDER DRIVE GEAR CASE	120-25
2F10	SEPARATOR, RIGHT-HAND SHIELD.....	120-127	1G9	SHIELD, LEFT-HAND, FEEDER HOUSE	110-16
2J24	SERIAL NO. PLATE	170-19	1C25	SHIELD, REAR UNIVERSAL JOINT	50-19
1C1	SERVICE KIT, ELECTRICAL CONNECTOR.....	40-36	2F9	SHIELD, REAR, SEPARATOR (R.H.)	120-125
1C23	SHAFT (GEAR CASE)	50-17	2A19	SHIELD, SEPARATOR, RIGHT-HAND	120-3
2E12	SHAFT, CHAIN, CLEAN GRAIN ELEVATOR	120-101	2F10	SHIELD, SEPARATOR, RIGHT-HAND	120-127
2C4	SHAFT, CONCAVE ADJUSTING.....	120-39	2F24	SHIELD, STRAW CHOPPER ROTOR	120-141
2A25	SHAFT, CYLINDER DRIVE INTERMEDIATE	120-9	2D11	SHIELD, STRAW SPREADER DRIVE	120-73
2B1	SHAFT, DUAL-RANGE CYLINDER DRIVE INTERMEDIATE	120-10	2D7	SHIELD, STRAW WALKER	120-69
1G7	SHAFT, IDLER, FEEDER CONVEYOR.....	110-14	2E22	SHIELD, TAILINGS ELEVATOR	120-112
2E18	SHAFT, LOWER TAILINGS AUGER	120-108	1B5	SHIELDS, MAIN, ELECTRICAL HARNESS	40-16
1G10	SHAFT, LOWER, FEEDER HOUSE	110-17	1F21	SHIELDS, QUIK-TATCH COUPLER (L.H.)	110-3
2B13	SHAFT, PINION, DUAL-RANGE CYLINDER DRIVE	120-22	1F20	SHIELDS, QUIK-TATCH COUPLER (R.H.).....	110-1
2B9	SHAFT, RASP-BAR (DUAL-RANGE CYLINDER DRIVE)	120-18	2G2	SHIELDS, STRAW SPREADER	120-145
2B8	SHAFT, RASP-BAR CYLINDER	120-17	1C24	SHIELDS,POWERSHAFT AND FRONT UNIV.JOINT.....	50-18
2D22	SHAFT, SHOE PITMAN.....	120-85	2D23	SHOE CRANKSHAFT DRIVE TIGHTENER	120-87
2G4	SHAFT, STRAW SPREADER	120-147	2D4	SHOE GRAIN SUPPLY AUGERS	120-65
1G12	SHAFT, UPPER, FEEDER HOUSE.....	110-19	2J13	SHOE GRAIN SUPPLY AUGERS DRIVE BELTS	170-8
2B22	SHEAR BAR, CYLINDER.....	120-33	2C24	SHOE GRAIN SUPPLY AUGERS DRIVE IDLER.....	120-61
			2C22	SHOE GRAIN SUPPLY AUGERS DRIVE SHAFT	120-59
			2C22	SHOE GRAIN SUPPLY AUGERS DRIVE SHEAVE.....	120-59
			2J13	SHOE GRAIN SUPPLY AUGERS DRIVE SHEAVES	170-8
			2C24	SHOE GRAIN SUPPLY AUGERS DRIVE TIGHTENER.....	120-61
			2D2	SHOE GRAIN SUPPLY AUGERS HOUSING	120-63
			2D22	SHOE PITMAN	120-85
			2D22	SHOE PITMAN SHAFT	120-85

ALPHABETICAL INDEX - CONTINUED

GRID		PAGE	GRID		PAGE
1B2	SHORT TURN SENSOR	40 - 13	2D20	SWINGERS, SIEVE FRAME	120 - 83
2H13	SHROUD,HORIZONTAL UNLOADING AUGER SWIVEL....	130 - 31	2I23	SWITCH, ACTUATING	160 - 10
1F10	SIDE SHEETS AND FRAME, SEPARATOR L.H.....	80 - 5	2H13	SWIVEL SHROUD,HORIZONTAL UNLOADING AUGER....	130 - 31
1F8	SIDE SHEETS AND FRAME, SEPARATOR R.H.	80 - 3	2H15	SWIVEL, HORIZONTAL UNLOADING AUGER	130 - 33
2D18	SIEVE	120 - 81	2H16	SWIVEL, HORIZONTAL UNLOADING AUGER	130 - 34
2D20	SIEVE FRAME	120 - 83			
2D20	SIEVE FRAME SWINGERS.....	120 - 83		T	
2D20	SIEVE PITMAN.....	120 - 83			
2G13	SKIRTS, GRAIN TANK.....	130 - 6	2J1	TACHOMETER AND CIRCUIT BOX BRACKET.....	160 - 12
2G16	SKIRTS, GRAIN TANK.....	130 - 9	1A24	TACHOMETER CYLINDER SPEED SENSOR	40 - 11
2I17	SOLENOID, MAIN VALVE BLOCK, DIAL-A-MATIC	160 - 3	2C9	TACHOMETER DRIVE	120 - 45
1D2	SPINDLE, HOUSING, AND WHEEL	50 - 21	2C10	TACHOMETER DRIVE	120 - 46
2E10	SPRING, CLEAN GRAIN ELEVATOR.....	120 - 99	1A21	TACHOMETER, CYLINDER.....	40 - 7
2E13	SPRING, LOWER TAILINGS AUGER DRIVE.....	120 - 103	1B18	TAIL LIGHTS	40 - 29
2F12	SPRING, STRAW CHOPPER DRIVE	120 - 129	2J16	TAILINGS ELEVATOR AND AUGER DRIVES	170 - 11
2E12	SPROCKET, CHAIN, CLEAN GRAIN ELEVATOR	120 - 101	2E24	TAILINGS ELEVATOR CONVEYOR BEARINGS	120 - 114
2D9	SPROCKET, DRIVEN, STRAW WALKER.....	120 - 71	2E25	TAILINGS ELEVATOR CONVEYOR BEARINGS	120 - 115
2D12	SPROCKET, STRAW WALKER DRIVE TIGHTENER	120 - 75	2E24	TAILINGS ELEVATOR CONVEYOR CHAIN.....	120 - 114
2G20	SPROCKET, UNLOADING AUGER DRIVE	130 - 13	2E25	TAILINGS ELEVATOR CONVEYOR CHAIN.....	120 - 115
2D23	SPROCKET,SHOE CRANKSHAFT DRIVE TIGHTENER....	120 - 87	2E24	TAILINGS ELEVATOR CONVEYOR SPROCKETS	120 - 114
2J16	SPROCKETS AND SHEAVES, TAILINGS ELEVATOR	170 - 11	2E25	TAILINGS ELEVATOR CONVEYOR SPROCKETS	120 - 115
2J12	SPROCKETS, DRIVE, STRAW WALKER.....	170 - 7	2E21	TAILINGS ELEVATOR HOUSING	120 - 111
2E24	SPROCKETS, TAILINGS ELEVATOR CONVEYOR.....	120 - 114	2E22	TAILINGS ELEVATOR HOUSING	120 - 112
2E25	SPROCKETS, TAILINGS ELEVATOR CONVEYOR.....	120 - 115	2J16	TAILINGS ELEVATOR SHEAVES AND SPROCKETS.....	170 - 11
1C16	STAND, JACK, HITCH BEAM	50 - 10	2G11	TANK, GRAIN, REINFORCEMENT BRACE	130 - 4
1F6	STONE TRAP.....	80 - 1	2G12	TANK, GRAIN, REINFORCEMENT BRACE	130 - 5
2C2	STONE TRAP, REMOTE DUMP	120 - 37	2G13	TANK, GRAIN, SKIRTS	130 - 6
1D25	STRAINER, HYDRAULIC RESERVOIR.....	70 - 23	1C17	TELESCOPING POWERSHAFT AND SHIELD.....	50 - 11
2F14	STRAW CHOPPER CURTAIN.....	120 - 131	1B23	TERMINAL AND WIRING KIT	40 - 34
2F12	STRAW CHOPPER DRIVE IDLER AND TIGHTENER.....	120 - 129	1C5	TERMINALS, SUPPLEMENTARY, AND CONNECTORS....	40 - 40
2J20	STRAW CHOPPER DRIVES	170 - 15	2B4	TIGHTENER, CYLINDER DRIVE.....	120 - 13
2F15	STRAW CHOPPER HOUSING	120 - 132	2H24	TIGHTENER, DRIVE, PRIMARY COUNTERSHAFT.....	140 - 3
2F17	STRAW CHOPPER HOUSING	120 - 134	2H24	TIGHTENER, DRIVE, UNLOADING AUGER	140 - 3
2J20	STRAW CHOPPER IDLERS	170 - 15	2B6	TIGHTENER, DUAL-RANGE CYLINDER DRIVE	120 - 15
2F23	STRAW CHOPPER KNIFE AND SUPPORT.....	120 - 140	1G13	TIGHTENER, FEEDER HOUSE DRIVE	110 - 20
2F19	STRAW CHOPPER PLATE AND FINS.....	120 - 136	1G11	TIGHTENER, LOWER BELT, FEEDER HOUSE	110 - 18
2F21	STRAW CHOPPER PLATE AND FINS.....	120 - 138	2E18	TIGHTENER, LOWER TAILINGS AUGER	120 - 108
2F25	STRAW CHOPPER ROTOR AND BLADES	120 - 142	2E13	TIGHTENER, LOWER TAILINGS AUGER DRIVE	120 - 103
2G1	STRAW CHOPPER ROTOR AND BLADES	120 - 143	2D23	TIGHTENER, SHOE CRANKSHAFT DRIVE.....	120 - 87
2F24	STRAW CHOPPER ROTOR SHEAVE AND SHIELD.....	120 - 141	2F12	TIGHTENER, STRAW CHOPPER DRIVE.....	120 - 129
2J20	STRAW CHOPPER TIGHTENERS	170 - 15	2D12	TIGHTENER, STRAW WALKER DRIVE	120 - 75
2G4	STRAW SPREADER	120 - 147	2F1	TIGHTENER, UPPER TAILINGS AUGER DRIVE.....	120 - 116
2D11	STRAW SPREADER DRIVE SHEAVE AND SHIELD	120 - 73	2C24	TIGHTENER,DRIVE,SHOE GRAIN SUPPLY AUGERS	120 - 61
2J20	STRAW SPREADER DRIVES	170 - 15	2J8	TIGHTENERS, FEEDER HOUSE (REG. FIXED)	170 - 3
2G6	STRAW SPREADER MOUNTING AND GUARD	120 - 149	2J20	TIGHTENERS, STRAW CHOPPER.....	170 - 15
2G2	STRAW SPREADER SHIELDS	120 - 145	2J20	TIGHTENERS, STRAW SPREADER.....	170 - 15
2J20	STRAW SPREADER TIGHTENERS	170 - 15	2G22	TIGHTENERS,GRAIN TANK CROSS AUGER DRIVE	130 - 15
2D7	STRAW WALKER.....	120 - 69	1F15	TOOL BOX	80 - 11
2J12	STRAW WALKER DRIVE CHAIN	170 - 7	2J10	TORQ-SENSING CTRSHAFT SHEAVES AND BELTS	170 - 5
2J12	STRAW WALKER DRIVE SPROCKETS.....	170 - 7	2J10	TORQ-SENSING CYL. DR. SHEAVES AND BELTS	170 - 5
2D12	STRAW WALKER DRIVE TIGHTENER	120 - 75	1F6	TRAP, STONE	80 - 1
2D9	STRAW WALKER FRONT CRANKSHAFT	120 - 71	2C2	TRAP, STONE, REMOTE DUMP	120 - 37
1B22	STRAW WALKER PLUGGING SENSING UNIT.....	40 - 33	1F17	TUBE SUPPORT, REAR	80 - 13
2D11	STRAW WALKER REAR CRANKSHAFT	120 - 73			
2H5	SUMP HOUSING AND SHIELD, GRAIN TANK	130 - 23		U	
2H6	SUMP HOUSING AND SHIELD, GRAIN TANK	130 - 24	1C25	UNIVERSAL JOINT SHIELD (REAR)	50 - 19
1C5	SUPPLEMENTARY TERMINALS AND CONNECTORS.....	40 - 40	1C19	UNIVERSAL JOINT, REAR	50 - 13
2D4	SUPPLY AUGERS, SHOE GRAIN	120 - 65	1C20	UNIVERSAL JOINT, REAR	50 - 14
2F23	SUPPORT AND KNIFE, STRAW CHOPPER	120 - 140	1C25	UNIVERSAL SHIELD, GEAR CASE	50 - 19
2A21	SUPPORT BRACES, CYLINDER DRIVE	120 - 5	2H18	UNLOADING AUG.DRIVE GEAR CASE,HORIZONTAL.....	130 - 37
1F13	SUPPORT ROD, REAR HOOD.....	80 - 8	2H20	UNLOADING AUGER AND HOUSING, HORIZONTAL	130 - 39
1C24	SUPPORT, HYDRAULIC HOSE	50 - 18	2H1	UNLOADING AUGER COVERS	130 - 19
1C14	SUPPORT, POWERSHAFT, BEARING.....	50 - 8	2G20	UNLOADING AUGER DRIVE COUNTERSHAFT	130 - 13
2E22	SUPPORT, TAILINGS ELEVATOR	120 - 112	2G21	UNLOADING AUGER DRIVE IDLER.....	130 - 14
1F17	SUPPORT, TUBE, REAR.....	80 - 13			
2B18	SUPPORT,CYL.SHAFT BRG.HSG.LUBE BANK-RH	120 - 28			
2D16	SWINGERS, CHAFFER FRAME	120 - 79			

ALPHABETICAL INDEX - CONTINUED

<i>GRID</i>		<i>PAGE</i>	<i>GRID</i>	<i>PAGE</i>
2G20	UNLOADING AUGER DRIVE SHEAVE.....	130 - 13		
2G20	UNLOADING AUGER DRIVE SPROCKET	130 - 13		
2H24	UNLOADING AUGER DRIVE TIGHTENER	140 - 3		
2J18	UNLOADING AUGER DRIVES	170 - 13		
1B21	UNLOADING AUGER ELECTROMAGNETIC CLUTCH	40 - 32		
1B14	UNLOADING AUGER HARNESS	40 - 25		
1B14	UNLOADING AUGER LAMP	40 - 25		
2H21	UNLOADING AUGER LUBE BANK SYSTEM.....	130 - 40		
1E25	UNLOADING AUGER SWING HYD.CYLINDER KIT	70 - 49		
1E13	UNLOADING AUGER SWING HYD.OIL LINES	70 - 37		
1E15	UNLOADING AUGER SWING HYDRAULIC CYLINDER	70 - 39		
1E17	UNLOADING AUGER SWING HYDRAULIC CYLINDER	70 - 41		
1E18	UNLOADING AUGER SWING HYDRAULIC CYLINDER	70 - 42		
1E20	UNLOADING AUGER SWING HYDRAULIC CYLINDER	70 - 44		
1E13	UNLOADING AUGER SWING HYDRAULIC HOSES.....	70 - 37		
1E15	UNLOADING AUGER SWING HYDRAULIC MOUNTING ..	70 - 39		
1E17	UNLOADING AUGER SWING HYDRAULIC MOUNTING ..	70 - 41		
1E18	UNLOADING AUGER SWING HYDRAULIC MOUNTING ..	70 - 42		
1E20	UNLOADING AUGER SWING HYDRAULIC MOUNTING ..	70 - 44		
2H13	UNLOADING AUGER SWIVEL SHROUD,HORIZONTAL....	130 - 31		
2H15	UNLOADING AUGER SWIVEL, HORIZONTAL	130 - 33		
2H16	UNLOADING AUGER SWIVEL, HORIZONTAL	130 - 34		
2F2	UPPER TAILINGS AUGER AND HOUSING.....	120 - 118		
2F1	UPPER TAILINGS AUGER DRIVE TIGHTENER	120 - 116		
V				
1E7	VALVE, BELT PICKUP FLOW CONTROL	70 - 30		
1E7	VALVE, CONTROL, BELT PICKUP FLOW.....	70 - 30		
1D15	VALVE, CYLINDER SPEED CONTROL	70 - 13		
2I19	VALVES, DIAL-A-MATIC	160 - 6		
2H9	VERTICAL AUGER AND HOUSING, GRAIN TANK.....	130 - 27		
2H11	VERTICAL AUGER LOWER GEAR CASE	130 - 29		
2J18	VERTICAL UNLOADING AUGER DRIVES	170 - 13		
W				
1B22	WALKER, STRAW, PLUGGING SENSING UNIT	40 - 33		
2J22	WARNING DECALS	170 - 17		
1B18	WARNING LIGHTS.....	40 - 29		
2B11	WHEEL, DUAL-RANGE CYLINDER GEAR CASE	120 - 20		
1D2	WHEEL, SPINDLE, AND HOUSING	50 - 21		
1B23	WIRING AND TERMINAL KIT	40 - 34		
1B23	WIRING CRIMPING TOOL	40 - 34		
1B9	WIRING HARNESS, HARVESTRAK COMBINE MONITOR.....	40 - 20		
1A18	WIRING HARNESS,CONTROL BOX,DIAL-A-MATIC	40 - 4		
1B23	WIRING STRIPPING TOOL.....	40 - 34		
1C5	WIRING, SUPPLEMENTARY TERMINALS AND CONNECTORS	40 - 40		
Y				
2E5	YOKE, CLEAN GRAIN ELEVATOR HOUSING.....	120 - 94		

MEMORANDA

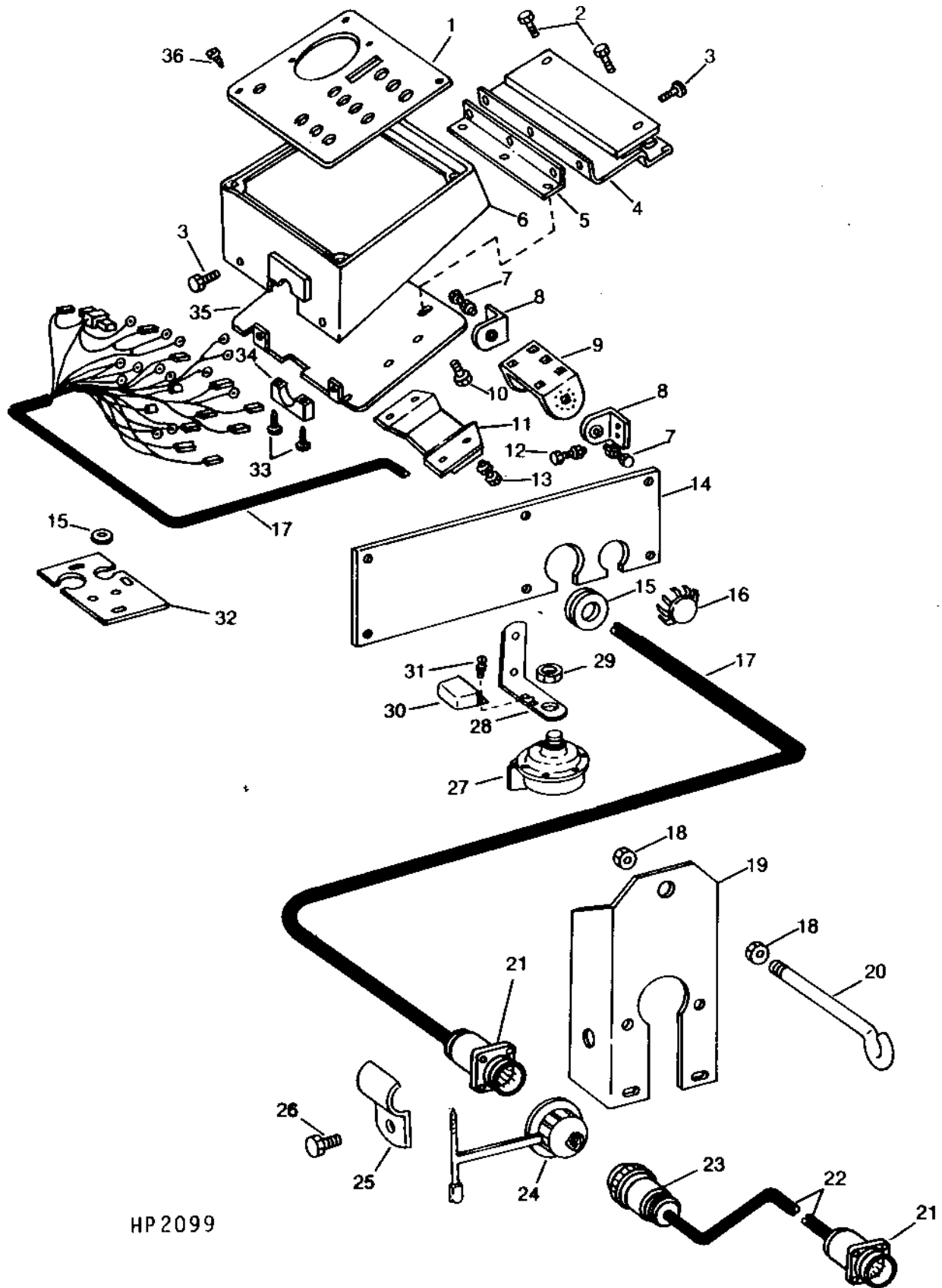
1A16

ELECTRICAL

CONTROL BOX HOUSING, MOUNTING BRACKETS, AND HARNESS (SERIAL NO. -600000)

HP2099

-UN-01JAN94



HP 2099

1A17

ELECTRICAL

CONTROL BOX HOUSING, MOUNTING BRACKETS, AND HARNESS - CONTINUED
(SERIAL NO. -600000)

KEY	PART NO.	PART NAME	QTY	SERIAL NO.	REMARKS
1	H102597	PLATE	1		
2	R54057	SCREW	2		
3	37H148	SCREW	5		1/4" X 5/8"
4	AR87457	ADAPTER	1		(SOUND GARD CAB)
5	R67211	BRACKET	1		
6	H99925	HOUSING	1		
7	19H1936	CAP SCREW	2		3/8" X 3/4"
	12H310	LOCK WASHER	2		3/8"
	AR41950	NUT	1		
8	R41879	BRACKET	2		(PRE-SOUND GARD CABS--1968-1971)
9	R41880	BRACKET	1		(PRE-SOUND GARD CABS--1968-1971)
10	37H148	SCREW	2		1/4" X 5/8"
11	R67215	PLATE	1		(4 WHEEL DRIVE-8430, 8440, 8630, 8640)
12	19H1227	CAP SCREW	4		1/4" X 1/2"
	12H297	LOCK WASHER	4		1/4"
	14H786	NUT	4		1/4"
13	19H1227	CAP SCREW	4		1/4" X 1/2"
	12H297	LOCK WASHER	4		1/4"
	14H786	NUT	4		1/4"
14	H96604	COVER	1		
15	H80627	GROMMET	1		
16	M42230	PLUG	1		
17	AH102689	WIRING HARNESS	1		
18	14H812	NUT	2		3/8"
19	H101161	BRACKET	1		
20	H101317	EYEBOLT	1		
21	H118425	CONNECTOR	2		22 HOLES
	R77464	PIN CONTACT	1		(PKG. OF 50)
	RE11156	TERMINAL	1		(PKG. OF 3)
22	AH102690	WIRING HARNESS	1		(4 WHEEL DRIVE-8430, 8440, 8630, 8640)
23	H118427	CONNECTOR	1		22 HOLES
	R77458	CONNECTOR	1		
	R77465	SOCKET CONTACT	1		(PKG. OF 50)
	RE11157	TERMINAL	1		(PKG. OF 3)
24	A32905	CAP	1		
25	R41465	CLAMP	1		
26	H29322	SCREW	1		
27	AT39043	HIGH NOTE HORN	1		(LOW NOTE)
28	H94337	BRACKET	1		
29	R11278	NUT	1		
30	AH62341	RELAY	1		
31	19H1227	CAP SCREW	2		1/4" X 1/2"
	12H302	LOCK WASHER	2		1/4"
	14H786	NUT	2		1/4"
32	H96678	PLATE	1		
33	A36895	SCREW	1		SELF-TAPPING
34	R67452	COVER	1		
35	R67210	BASE	1		
36	37H153	SCREW	4		0.190" X 3/8"

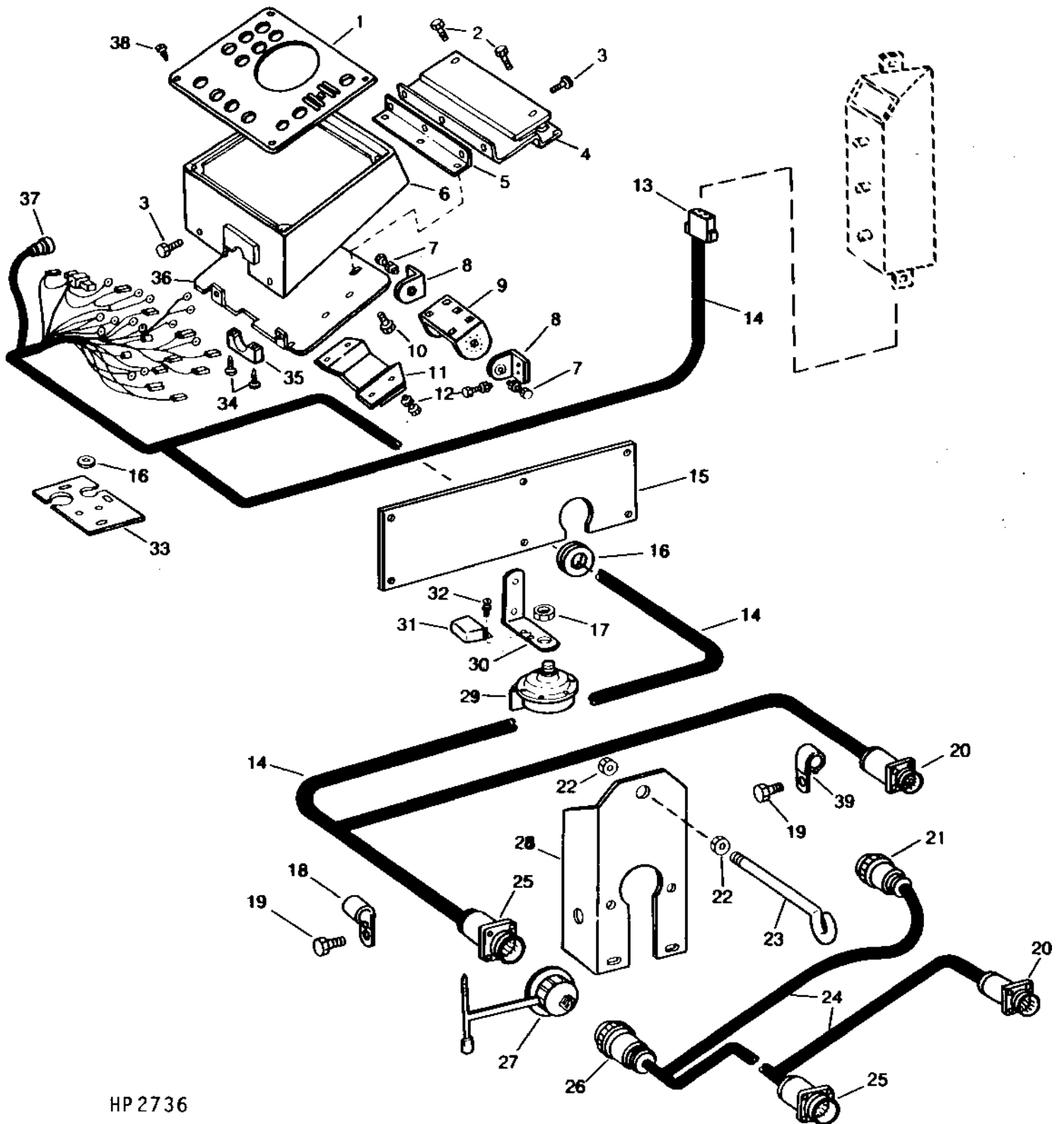
1A18

ELECTRICAL

CONTROL BOX HOUSING, MOUNTING BRACKETS AND HARNESS (DIAL-A-MATIC) (SERIAL NO. 600001-)

HP2736

-UN-01JAN94



HP 2736

CONTROL BOX HOUSING, MOUNTING BRACKETS AND HARNESS - CONTINUED
(DIAL-A-MATIC)
(SERIAL NO. 600001-)

KEY	PART NO.	PART NAME	QTY	SERIAL NO.	REMARKS
1	H115156	PLATE	1		
2	R54057	SCREW	2		
3	37H148	SCREW	5		1/4" X 5/8"
4	AR87457	ADAPTER	1		(SOUND-GARD CAB)
5	R67211	BRACKET	1		
6	H99925	HOUSING	1		
7	19H1936	CAP SCREW	2		3/8" X 3/4"
	12H310	LOCK WASHER	2		3/8"
	AR41950	NUT	1		
8	R41879	BRACKET	2		(PRE-SOUND-GARD CABS, 1968-1971)
9	R41880	BRACKET	1		(PRE-SOUND-GARD-CABS, 1968-1971)
10	37H148	SCREW	2		1/4" X 5/8"
11	R67215	PLATE	1		(4-WHEEL DRIVE - 8430,8440,8630 AND 8640)
12	19H1227	CAP SCREW	8		1/4" X 1/2"
	12H297	LOCK WASHER	8		1/4"
	14H786	NUT	8		1/4"
13	H118420	SOCKET	1		
	R77469	TERMINAL	2		(PKG. OF 5)
14	AH112736	WIRING HARNESS	1		
15	H115317	COVER	1		
16	H80627	GROMMET	2		
17	R11278	NUT	1		
18	AH89557	CLIP	1		
19	H29322	SCREW	2		
20	H118428	CONNECTOR	2		7 HOLES
	RE11156	TERMINAL	1		(PKG. OF 3)
21	H118421	ELECTRICAL PLUG	1		7 HOLES
	R77458	CONNECTOR	1		
	RE11157	TERMINAL	1		(PKG. OF 3)
22	14H812	NUT	2		3/8"
23	H101317	EYEBOLT	1		
24	AH112737	WIRING HARNESS	1		
25	R77456	RECEPTACLE	2		37 HOLES
	R77464	PIN CONTACT	1		(PKG. OF 50)
26	R77457	ELECTRICAL PLUG	1		37 HOLES
	R77458	CONNECTOR	1		
	R77465	SOCKET CONTACT	1		(PKG. OF 50)
27	A32905	CAP	2		
28	H101161	BRACKET	1		
29	AT39043	HIGH NOTE HORN	1		
30	H94337	BRACKET	1		
31	AH62341	RELAY	1		
32	19H1227	CAP SCREW	2		1/4" X 1/2"
	12H302	LOCK WASHER	2		1/4"
	14H786	NUT	2		1/4"
33	H96678	PLATE	1		
34	A36895	SCREW	2		
35	R67452	COVER	1		
36	R67210	BASE	1		
37	H118422	ELECTRICAL PLUG	1		9 HOLES
	R77460	CONNECTOR	1		RETAINER
	R77465	SOCKET CONTACT	1		(PKG. OF 50)
38	37H153	SCREW	4		0.190" X 3/8"
39	AH90990	CLIP	1		

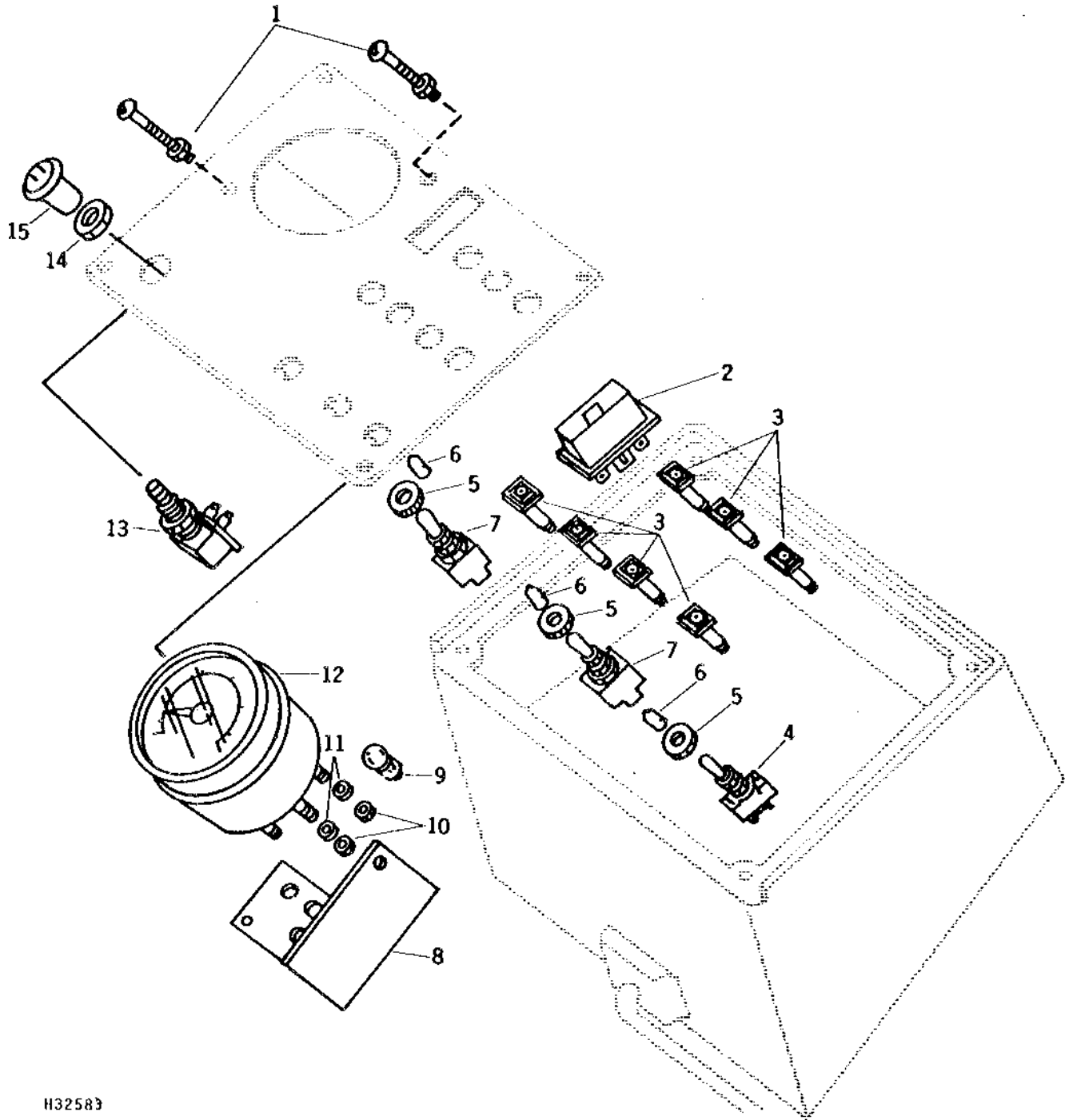
1A20

ELECTRICAL

CONTROL BOX INDICATORS, CYLINDER TACHOMETER, AND MOUNTINGS
(SERIAL NO. -600000)

H32583

-UN-01JAN94



H32583

1A21

ELECTRICAL

CONTROL BOX INDICATORS, CYLINDER TACHOMETER, AND MOUNTINGS - CONTINUED
(SERIAL NO. -600000)

KEY	PART NO.	PART NAME	QTY	SERIAL NO.	REMARKS
1	21H1283	SCREW	2		0.190" X 3-1/2"
	12H295	LOCK WASHER	2		0.190"
	14H778	NUT	2		0.190"
2	AH93153	DEVICE	1		BUZZER
3	AH94791	LAMP	7		INDICATOR
4	AH87806	SWITCH	1		TOGGLE, (UNLOADING AUGER)
5	H94505	NUT	3		
6	H94664	GRIP	3		
7	AH93711	TOGGLE SWITCH	2		(BELT PICKUP) (CYLINDER SPEED)
8	H101261	PLATE	1		
9	AH75662	BULB	1	-513350	
	AM31284	BULB	1	513351-	
10	14H631	NUT	5		0.190"
11	12H295	LOCK WASHER	5		0.190"
12	AH96683	TACHOMETER	1		CYLINDER
13	AH85260	SWITCH	1		(ELECTRIC CLUTCH)
14	M42561	NUT	1		
15	AH85259	KNOB	1		CLUTCH

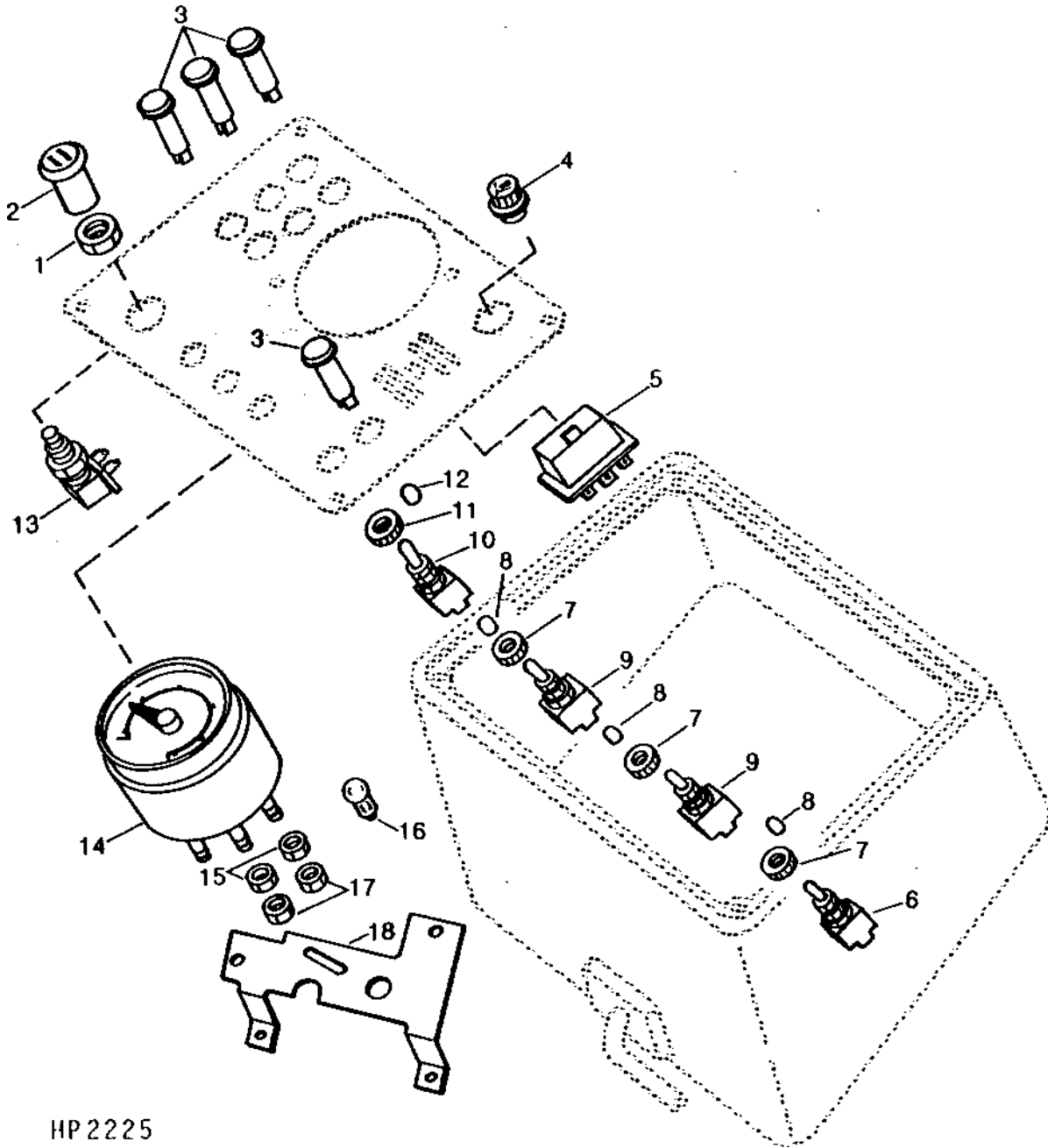
1A22

ELECTRICAL

CONTROL BOX INDICATOR, CYLINDER TACHOMETER AND MOUNTINGS (SERIAL NO. 600001-)

HP2225

-UN-01JAN94



HP2225

1A23

ELECTRICAL

CONTROL BOX INDICATORS, CYLINDER TACHOMETER AND MOUNTINGS - CONTINUED
(SERIAL NO. 600001-)

KEY	PART NO.	PART NAME	QTY	SERIAL NO.	REMARKS
1	M42561	NUT	1		
2	AH85259	KNOB	1		
3	AH112704	LAMP	7		
4	H113924	PLUG	1		
5	AH93153	DEVICE	1		BUZZER
6	AH112705	TOGGLE SWITCH	1		
7	H94505	NUT	3		
8	H94664	GRIP	3		
9	AH93711	TOGGLE SWITCH	2		
10	AH93711	TOGGLE SWITCH	1		(USE WITH DIAL-A-MATIC)
11	H94505	NUT	1		(USE WITH DIAL-A-MATIC)
12	H94664	GRIP	1		(USE WITH DIAL-A-MATIC)
13	AH85260	SWITCH	1		(ELECTRIC CLUTCH)
14	AH96683	TACHOMETER	1		
15	12H295	LOCK WASHER	3		NO. 10
16	AM31284	BULB	1		
17	14H631	NUT	3		NO. 10 UNF
18	H115157	SUPPORT	1		

MEMORANDA

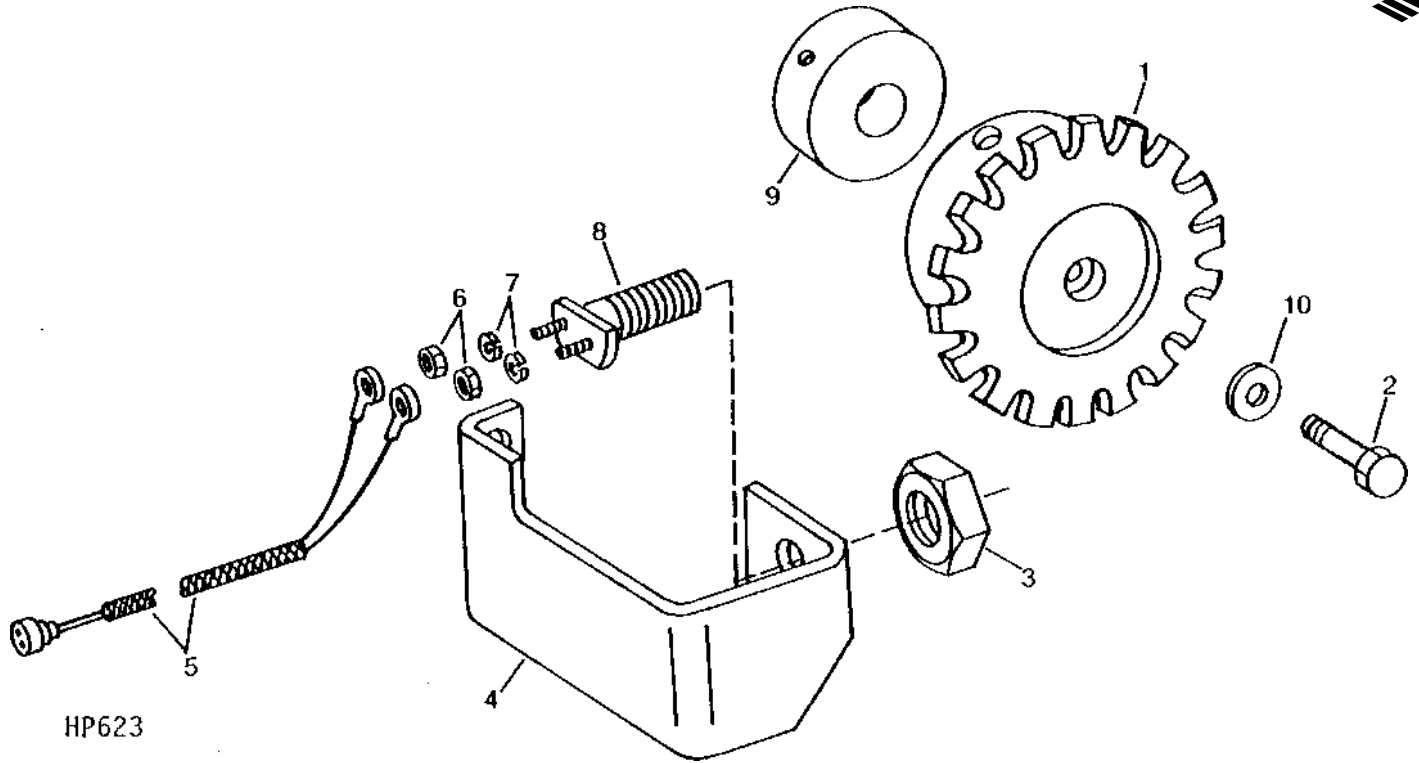
1A24

ELECTRICAL

HP623

-UN-01JAN94

TACHOMETER CYLINDER SPEED SENSOR



KEY	PART NO.	PART NAME	QTY	SERIAL NO.	REMARKS
1	H100682	WHEEL	1	-414100	(100 PER CENT BEATER SPEED)
	R19N	CHAIN SPROCKET	1	414101-	(150 PER CENT BEATER SPEED)
2	19H1800	CAP SCREW	1	-414100	3/8" X 1-1/2"
	19H3217	CAP SCREW	1	414101-	3/8" X 1-3/4"
	12H304	LOCK WASHER	1		3/8"
3	T12892	NUT	1	-414244	(SUB H104418)
	H104418	NUT	1		
4A	H100684	SUPPORT	1	-562900	(SUB H113462)
4B	H113462	BRACKET	1		
5	AH101328	WIRE	1		
6	14H631	NUT	2		0.190"
7	12H295	LOCK WASHER	2		0.190"
8	AH99637	SENSOR	1		
9	H88338	BUSHING	1	414101-	
10	24H1307	WASHER	1	414101-	13/32" X 1" X 1/16"

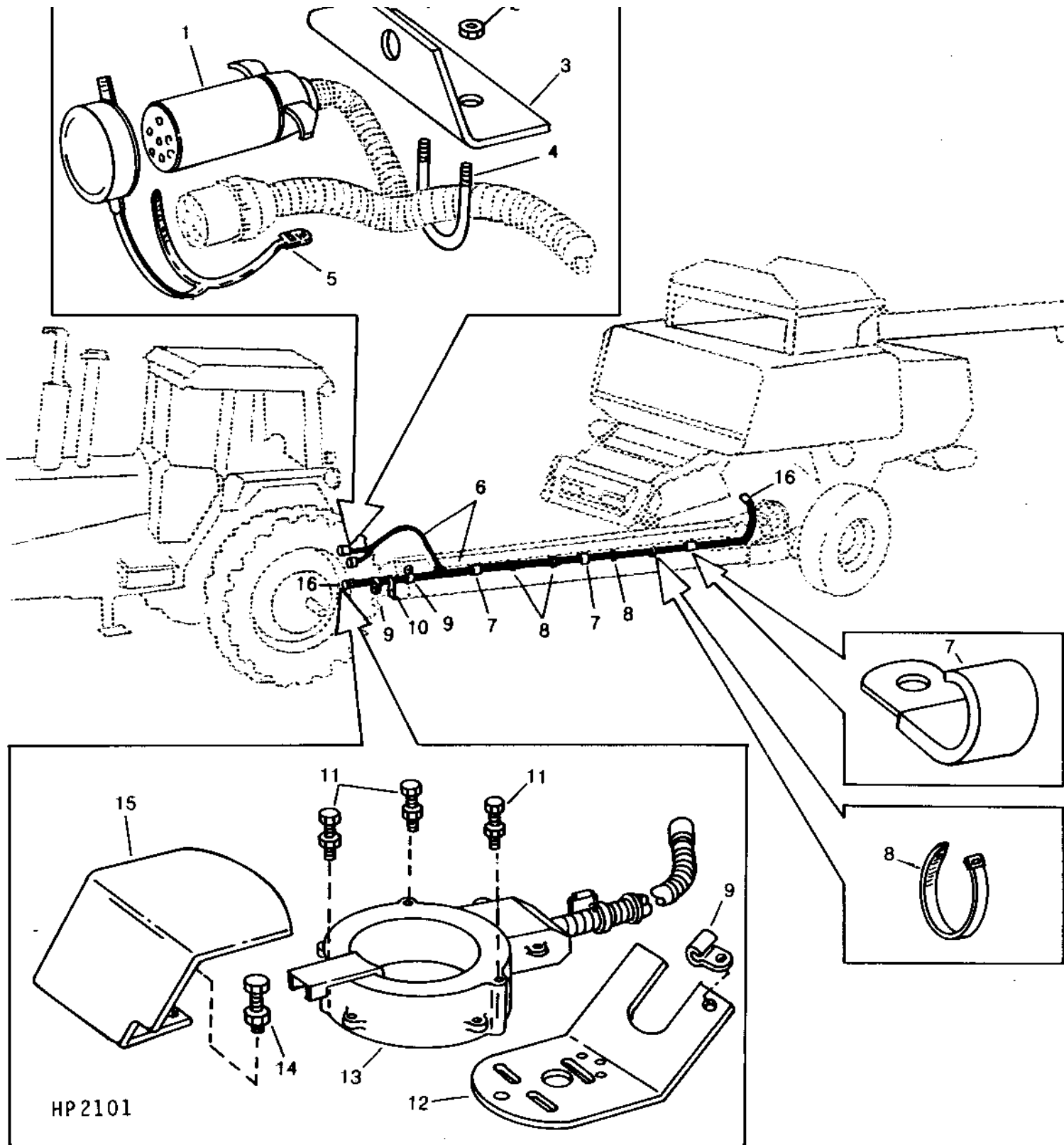
1B1

ELECTRICAL

HITCH TUBE HARNESS AND SHORT TURN SENSOR (SERIAL NO. -600000)

HP2101

-UN-01JAN94



HP2101

1B2

ELECTRICAL

HITCH TUBE HARNESS AND SHORT TURN SENSOR - CONTINUED
(SERIAL NO. -600000)

KEY	PART NO.	PART NAME	QTY	SERIAL NO.	REMARKS
1	AH93625	PLUG	1		SEVEN-WAY
2	N10213	LOCK NUT	2		
3	H101316	HANGER	1		
4	P51263	U-BOLT	1		
5	A32904	CAP	1		
6	AH102691	WIRING HARNESS	1		HITCH TUBE, MAIN
7	AH90990	CLIP	3		
8	M66044	TIE BAND	4		
9	AH89557	CLIP	3		
10	R45440	TIE BAND	1	-620721	
	TIE BAND	1		
11	21H1399	SCREW	3		1/4" X 2-1/2"
	12H302	LOCK WASHER	3		1/4"
	14H786	NUT	3		1/4"
12	H97674	PLATE	1		ACTIVATOR
13	AH96249	SENDER	1		SHORT TURN
14	19H1731	CAP SCREW	2		3/8" X 1"
	12H304	LOCK WASHER	2		3/8"
15	H97675	PLATE	1		
16	H118427	CONNECTOR	2		22 HOLES
	R77458	CONNECTOR	1		
	R77465	SOCKET CONTACT	1		(PKG. OF 50)
	RE11157	TERMINAL	1		(PKG. OF 3)

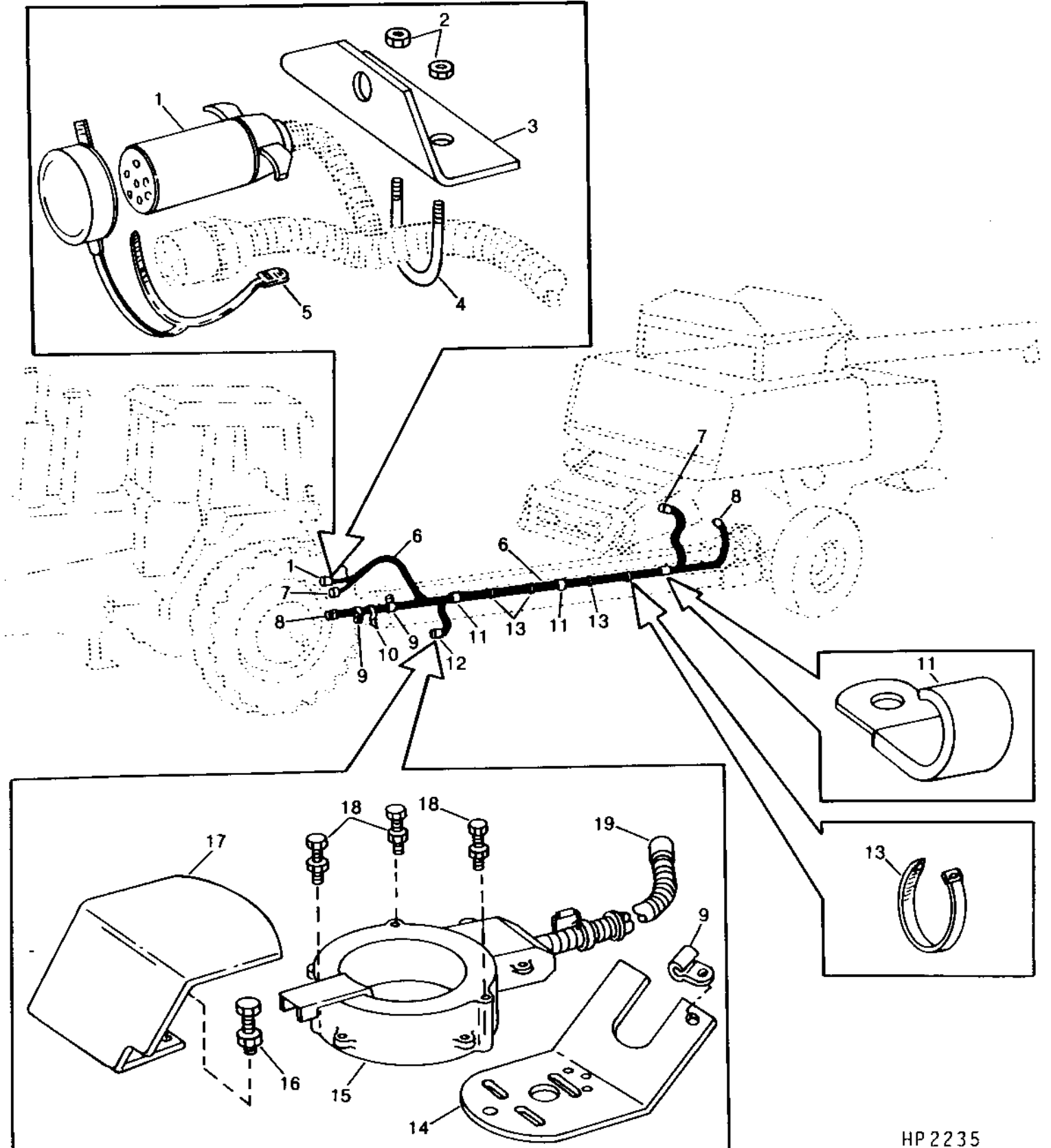
1B3

ELECTRICAL

HITCH TUBE HARNESS AND SHORT TURN SENSOR (SERIAL NO. 600001-)

HP2235

-UN-01JAN94



HP 2235

1B4

ELECTRICAL

HITCH TUBE HARNESS AND SHORT TURN SENSOR - CONTINUED
(SERIAL NO. 600001-)

KEY	PART NO.	PART NAME	QTY	SERIAL NO.	REMARKS
1	AH93625	PLUG	1		(7-WAY)
2	N10213	LOCK NUT	2		
3	H115318	HANGER	1		
4	C12152	U-BOLT	1		
5	A32904	CAP	1		
6	AH112738	WIRING HARNESS	1		
7	H118421	ELECTRICAL PLUG	1		7 HOLES
	R77458	CONNECTOR	1		
	RE11157	TERMINAL	1		(PKG. OF 3)
8	R77457	ELECTRICAL PLUG	1		37 HOLES
	R77458	CONNECTOR	1		
	R77465	SOCKET CONTACT	1		(PKG. OF 50)
9	AH89557	CLIP	3		
10	R45440	TIE BAND	1	-620721	
	TIE BAND	1		
11	AH90990	CLIP	3		
12	R70213	PIN CONTACT CONNECTOR BODY	1		
	R70222	PIN CONTACT	3		
13	M66044	TIE BAND	6		
14	H97674	PLATE	1		ACTIVATOR
15	AH96249	SENDER	1		SHORT TURN
16	19H1731	CAP SCREW	2		3/8" X 1"
	12H304	LOCK WASHER	2		3/8"
17	H97675	PLATE	1		
18	21H1399	SCREW	3		1/4" X 2-1/2"
	12H302	LOCK WASHER	3		1/4"
	14H786	NUT	3		1/4"
19	R70212	RECEPTACLE	1		
	AR91793	SOCKET CONTACT	1		

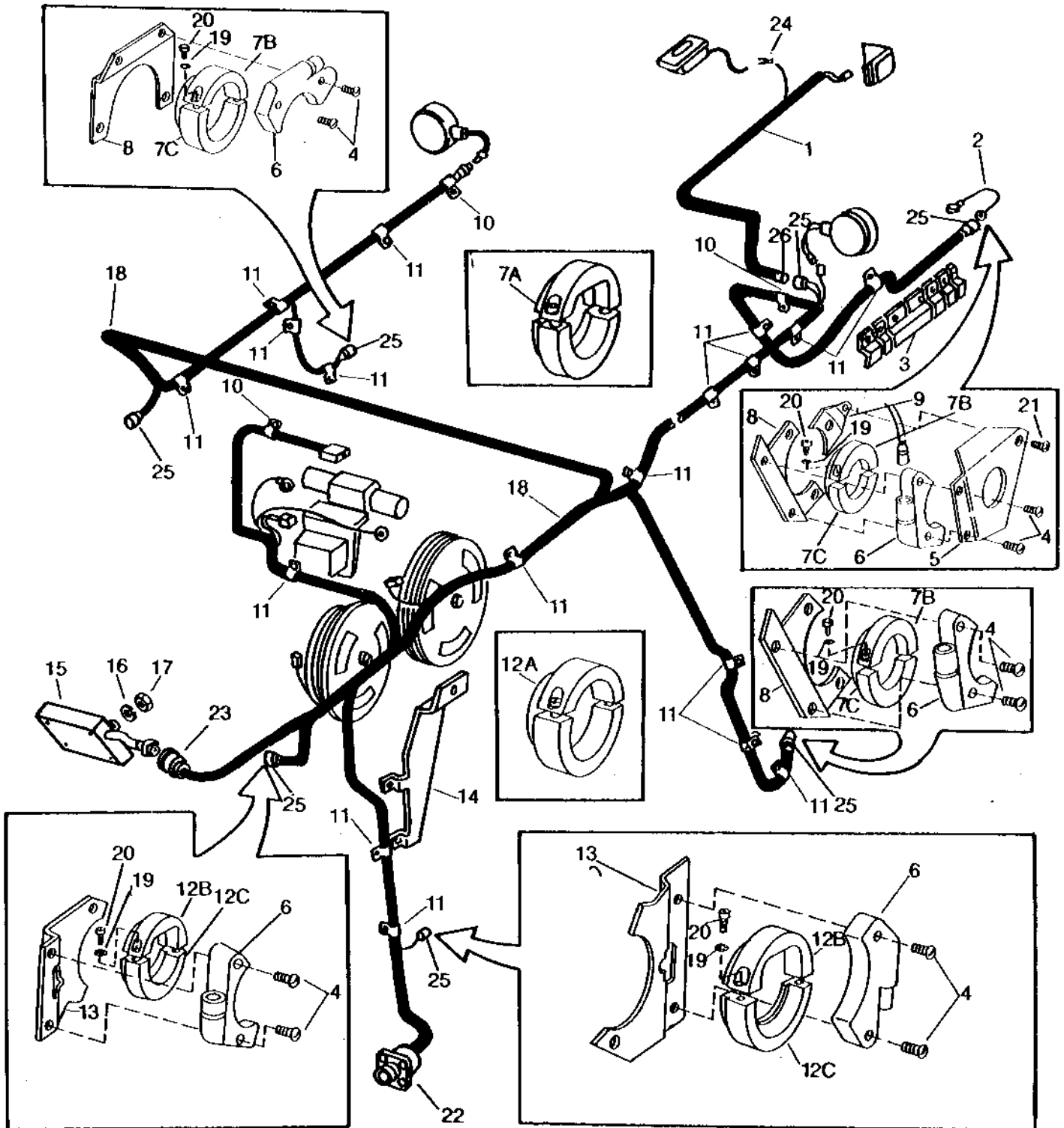
1B5

ELECTRICAL

SEPARATOR MAIN HARNESS AND LOW SHAFT SPEED MONITORS (SERIAL NO. -600000)

HP2488

-UN-01JAN94



HP2488

1B6

ELECTRICAL

SEPARATOR MAIN HARNESS AND LOW SHAFT SPEED MONITORS - CONTINUED
(SERIAL NO. -600000)

KEY	PART NO.	PART NAME	QTY	SERIAL NO.	REMARKS
1	AH96516	WIRING HARNESS	1		REAR HOOD (LEFT-HAND) (SUB AH118015 AND H121814)
2	AH99762	WIRING HARNESS	1		(USED ON MACHINES WITHOUT STRAW CHOPPER)
3	H95431	SHIELD	1		
4	21H985	SCREW	10	-513250	0.190" X 1"
	21H1419	SCREW	10	513251-	0.190" X 1"
5	H100913	SHIELD	1	-414100	(SUB H107706)
	H107706	SHIELD	1		(USE WITH STRAW CHOPPER)
6	AH100011	REED SWITCH	AR	-625300	(4 USED, REGULAR; 5 USED, STRAW CHOPPER) (SUB AH131320, RE12363, R78060 AND R78063)
7A	AH100014	ACTUATOR	3	-414100	(STRAW WALKER, CLEAN GRAIN ELEVATOR, AND STRAW CHOPPER) (SUB H104793, H104794, 12H295 AND 21H1406)
7B	H104794	ACTUATOR	3		HALF, TOP
7C	H104793	ACTUATOR	3		HALF, BOTTOM
8	AH100012	BRACKET	3		(STRAW WALKER, CLEAN GRAIN ELEVATOR, AND STRAW CHOPPER)
9	H100914	BRACKET	1		(USE WITH STRAW CHOPPER)
10	T32231	CLAMP	1		
11	AH89557	CLIP	16		
12A	AH100015	ACTUATOR	2	-414100	(TAILINGS ELEVATOR AND CONVEYOR AUGER) (SUB H104795, H104796, 12H295 AND 21H1406)
12B	H104796	ACTUATOR	2		HALF, TOP
12C	H104795	ACTUATOR	2		HALF, BOTTOM
13	AH100013	BRACKET	2		(TAILINGS ELEVATOR AND CONVEYOR AUGER)
14	H99235	GUARD	1		
15	AH99671	CIRCUIT BOX	1		LOW SHAFT SPEED MONITOR (REMANUFACTURED)
16	12H302	LOCK WASHER	1		1/4"
17	14H786	NUT	1		1/4"
18	AH102692	WIRING HARNESS	1		
19	12H295	LOCK WASHER	10		0.190"
20	21H1406	SCREW	10	-513250	0.190" X 3/4"
	21H1419	SCREW	10	513251-	0.190" X 1"
21	37H105	SCREW	10	-513250	NO. 10 X 3/8"
	37H153	SCREW	1	513251-	0.190" X 3/8"
22	H118425	CONNECTOR	1		22 HOLES
	R77464	PIN CONTACT	1		(PKG. OF 50)
	RE11156	TERMINAL	1		(PKG. OF 3)
23	H118426	CONNECTOR	1		24 HOLES
	R77458	CONNECTOR	1		
	R77465	SOCKET CONTACT	1		(PKG. OF 50)
24	H121814	PIN CONTACT CONNECTOR BODY	1		(NOT INCLUDED IN RE11154 KIT)
25	R70210	RECEPTACLE	7		2 HOLES
	R70222	PIN CONTACT	1		(PKG. OF 20)
	AR91793	SOCKET CONTACT	1		(PKG. OF 20)
26	R70211	CONNECTOR	1		2 HOLES
	R70222	PIN CONTACT	1		(PKG. OF 20)
	AR91793	SOCKET CONTACT	1		(PKG. OF 20)

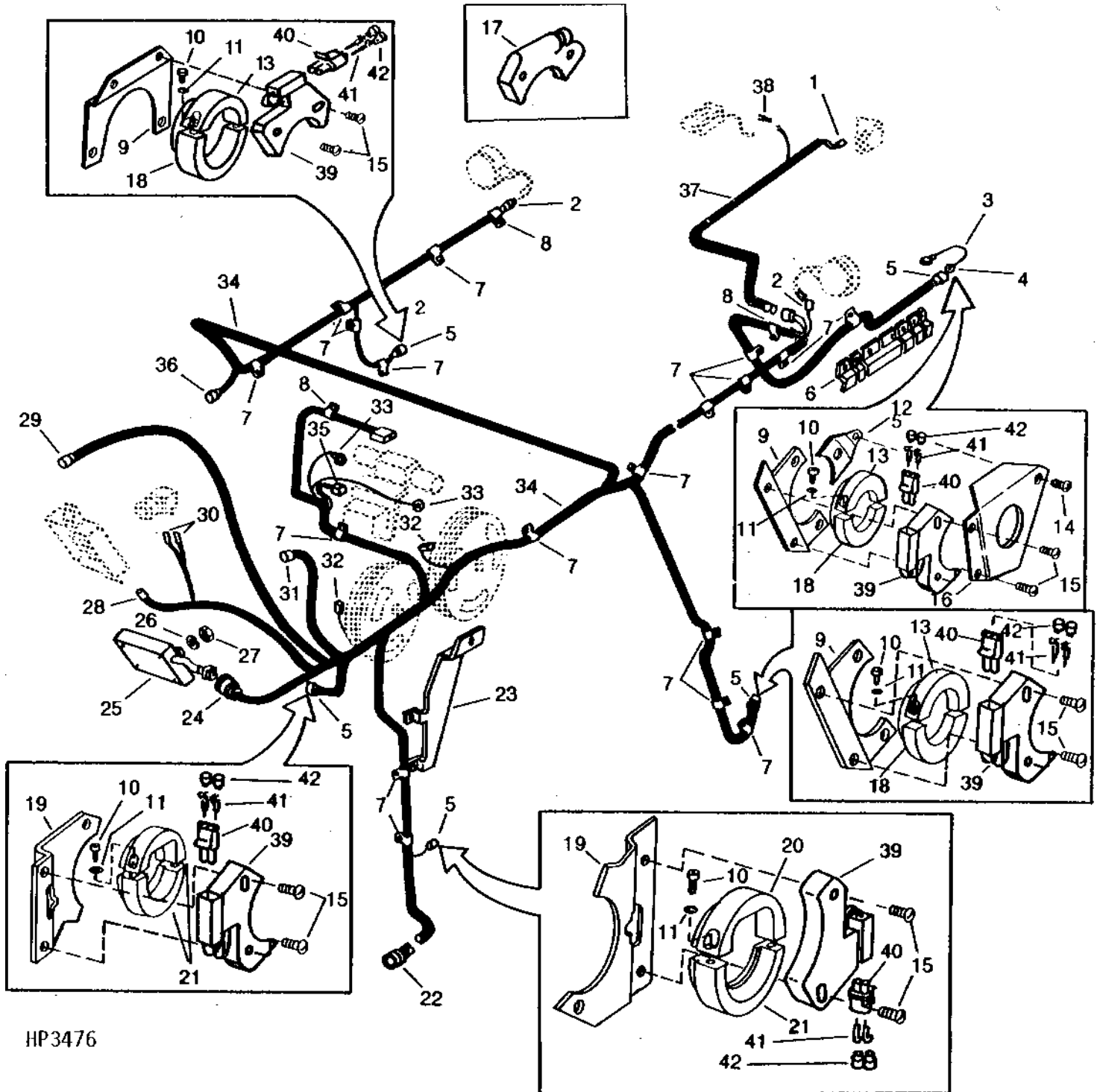
1B7

ELECTRICAL

SEPARATOR MAIN HARNESS AND LOW SHAFT MONITORS (SERIAL NO. 600001-)

HP3476

-UN-01JAN94



HP3476

SEPARATOR MAIN HARNESS AND LOW SHAFT SPEED MONITORS - CONTINUED
(SERIAL NO. 600001-)

KEY	PART NO.	PART NAME	QTY	SERIAL NO.	REMARKS
1	R70210	RECEPTACLE	1		
	AR91793	SOCKET CONTACT	2		
2	U46370	CONNECTOR	2		
3	AH99762	WIRING HARNESS	1		
4	R70211	CONNECTOR	1		
	R70222	PIN CONTACT	2		
5	R70210	RECEPTACLE	5		2 HOLES
	R70222	PIN CONTACT	1		(PKG. OF 20)
	AR91793	SOCKET CONTACT	AR		(PKG. OF 2)
6	H95431	SHIELD	1		
7	AH89557	CLIP	AR		
8	T32231	CLAMP	AR		
9	AH100012	BRACKET	3		(STRAW WALKER, CLEAN GRAIN ELEVATOR AND STRAW CHOPPER)
10	21H1419	SCREW	10		0.190" X 1"
11	12H295	LOCK WASHER	10		0.190"
12	H100914	BRACKET	1		
13	H104794	ACTUATOR	3		HALF, TOP
14	37H153	SCREW	1		0.190" X 3/8"
15	21H1419	SCREW	10		0.190" X 1"
16	H107706	SHIELD	1		(USE WITH STRAW CHOPPER)
17	AH100011	REED SWITCH	AR	-625300	(SUB AH131320, RE12363, R78060 AND R78063) (4 USED REGULAR, 5 USED STRAW CHOPPER)
18	H104793	ACTUATOR	3		HALF, BOTTOM
19	AH100013	BRACKET	2		(TAILING ELEVATOR AND CONCAVE AUGER)
20	H104796	ACTUATOR	2		HALF, TOP
21	H104795	ACTUATOR	2		HALF, BOTTOM
22	R77456	RECEPTACLE	1		37 HOLES
	R77464	PIN CONTACT	1		(PKG. OF 50)
23	H99235	GUARD	1		
24	H118426	CONNECTOR	1		24 HOLES
	R77458	CONNECTOR	1		
	R77465	SOCKET CONTACT	1		(PKG. OF 50)
25	AH99671	CIRCUIT BOX	1	-610600	LOW SHAFT SPEED MONITOR (REMANUFACTURED)
	TY6662	SENSOR	1	610601-	LOW SHAFT SPEED MONITOR (REMANUFACTURED)
	R77462	PIN CONTACT	AR		
	R77464	PIN CONTACT	AR		
26	12H302	LOCK WASHER	1		1/4"
27	14H786	NUT	1		1/4"
28	H118422	ELECTRICAL PLUG	1		9 HOLES
	R77460	CONNECTOR	1		
	R77465	SOCKET CONTACT	1		(PKG. OF 50)
29	R76873	RECEPTACLE	1		9 HOLES
	R77464	PIN CONTACT	1		(PKG. OF 50)
30	R65600	TERMINAL	2		FEMALE, 14-16 GA.
31	H118428	CONNECTOR	1		7 HOLES
	RE11156	TERMINAL	1		(PKG. OF 3)
32	M43835	FLAT CONNECTOR	2		(14-16 GA.WIRE)
33	R32018	TERMINAL	2		(14-16 GA. WIRE)
34	AH112739	WIRING HARNESS	1	-610600	(SUB AH120386)
	AH120386	WIRING HARNESS	1		
35	H118417	QUICK LOCK PIN	1	-615300	(16 GA.- 2 WIRE) (SUB Z40862)
	Z40862	PIN CONTACT CONNECTOR BODY	1		
36	R70210	RECEPTACLE	1		2 HOLES
	R70222	PIN CONTACT	1		(PKG. OF 20)
	AR91793	SOCKET CONTACT	2		(PKG. OF 20)
37	AH118015	WIRING HARNESS	1		(USE WITH (1) UNIT 40 MM (1-37/64") LONG OF R77502 FROM RE11154 KIT AND (1) H121814)
38	H121814	PIN CONTACT CONNECTOR BODY	1		(NOT INCLUDED IN RE11154 KIT)
39	AH131320	SWITCH	AR		(4 USED REGULAR; 5 USED STRAW CHOPPER)
40	RE12363	CONNECTOR	AR		(4 USED REGULAR; 5 USED STRAW CHOPPER)
41	R78060	SOCKET CONTACT	AR		(8 USED REGULAR; 10 USED STRAW CHOPPER)
42	R78063	TERMINAL NIPPLE	AR		(8 USED REGULAR; 10 USED STRAW CHOPPER)

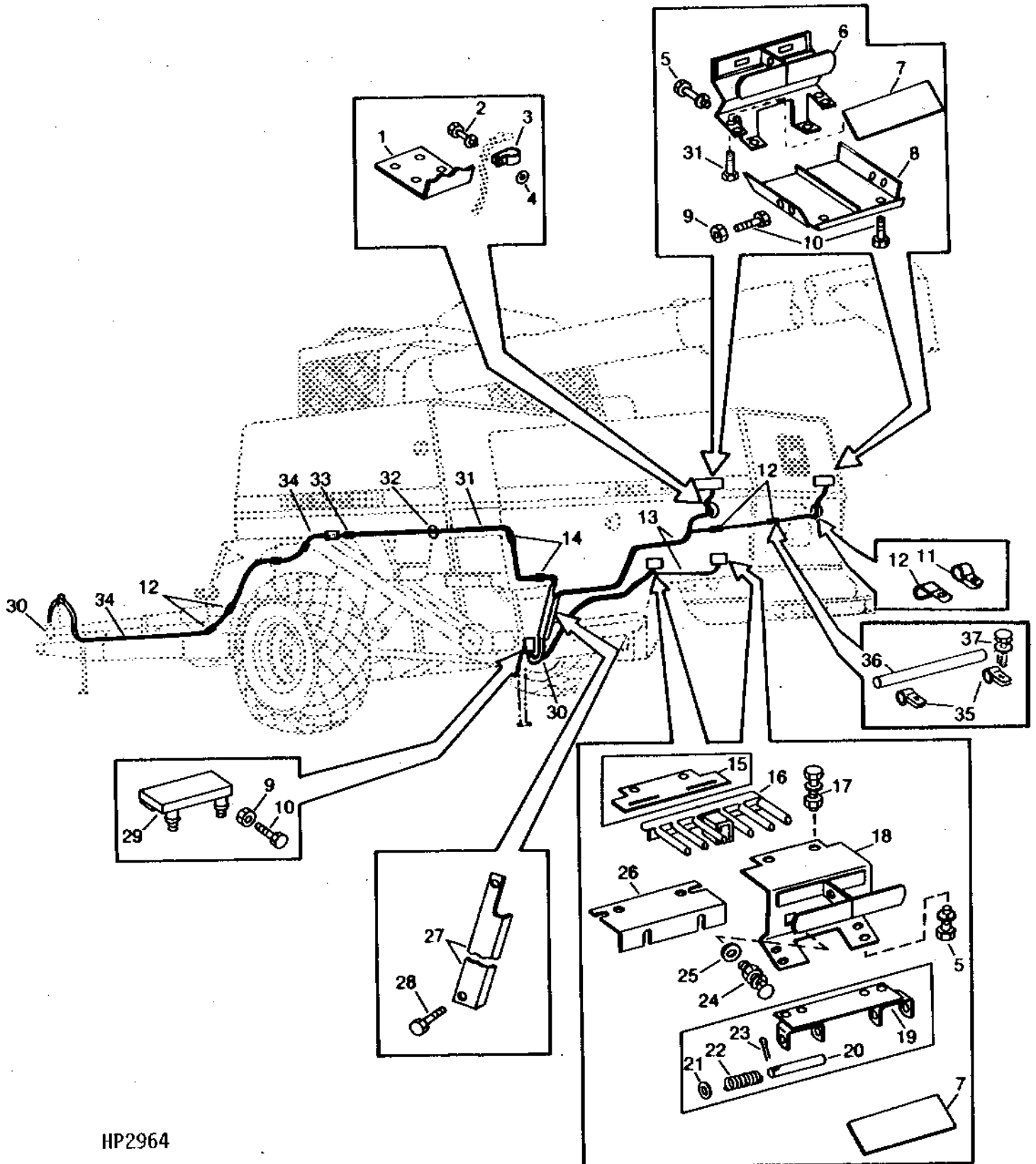
1B9

ELECTRICAL

HARVESTRAK COMBINE MONITOR (SERIAL NO. 600001-)

HP2964

-UN-01JAN94



HP2964

1B10

ELECTRICAL

HARVESTRAK COMBINE MONITOR - CONTINUED
(SERIAL NO. 600001-)

KEY	PART NO.	PART NAME	QTY	SERIAL NO.	REMARKS
1	H101216	PLATE	1		
2	03H1540	BOLT	2	5/16" X 3/4"	
	12H303	LOCK WASHER	2	5/16"	
3	AH87142	CLIP	2		
4	24H1136	WASHER	2	11/32" X 11/16" X 0.065"	
5	21H1427	SCREW	16	0.190" X 1/2"	
	12H295	LOCK WASHER	16	0.190"	
6	AH98892	BRACKET	2		(STRAW WALKER SENSOR)
7	AH109794	SENSOR	4		
8	H100438	SHIELD	2		(STRAW WALKER SENSOR)
9	N10213	LOCK NUT	13		
10	N10212	SELF-LOCKING SCREW	13		
11	AH87142	CLIP	2		
12	AH89557	CLIP	AR		
13	AH109797	WIRING HARNESS	1	-610600	(SUB AH120090)
	AH120090	WIRING HARNESS	1	-620800	(REAR) (SUB AH129253)
	AH129253	WIRING HARNESS	1		
14	AH89486	CLIP	2		
15	H100432	PLATE	2	-610600	
16	H114411	FINGER	2		(CLEANING SHOE SENSOR)
17	19H1948	CAP SCREW	6		1/4" X 3/4"
	24H1287	WASHER	6		9/32" X 5/8" X 0.065"
	14H786	NUT	6		1/4"
18	AH99313	BRACKET	2	-610600	(SUB AH119132)
	AH119132	BRACKET	2		(CLEANING SHOE SENSOR)
19	AH99312	BRACKET	2	-610600	(CLEANING SHOE SENSOR)
20	H100431	PIN	4	-610600	
21	24H1286	WASHER	12	-610600	9/32" X 1/2" X 1/16"
22	A3182R	SPRING	4	-610600	
23	34H210	SPRING PIN	4	-610600	5/64" X 1/2"
24	03H1540	BOLT	4	610601-	5/16" X 3/4"
	12H303	LOCK WASHER	4	610601-	5/16"
	14H785	NUT	4	610601-	5/16"
25	24H1176	WASHER	4	610601-	13/32" X 1-1/4" X 0.100"
26	H122672	BRACKET	2	610601-615300	(SUB H130177)
	H130177	BRACKET	2		(CLEANING SHOE SENSOR)
27	H100949	SHIELD	1		WIRING HARNESS
28	H76139	SCREW	1		
29	AH109793	PRINTED CIRCUIT	1		PREAMPLIFIER
30	R77461	CONNECTOR	3		
	R77464	PIN CONTACT	1		(PKG. OF 50)
	R77465	SOCKET CONTACT	1		(PKG. OF 50)
31	AH109796	WIRING HARNESS	1		(MIDDLE)
32	M66044	TIE BAND	AR		
33	AH90990	CLIP	AR		
34	AH112739	WIRING HARNESS	1	-610600	(SUB AH120386)
	AH120386	WIRING HARNESS	1		(FRONT)
35	P42987	CLAMP	2		(INSULATED)
36	H132801	LINE	1		
37	H88188	SCREW	4	3/8" X 1"	
	24H1305	WASHER	4	13/32" X 13/16" X 0.065"	

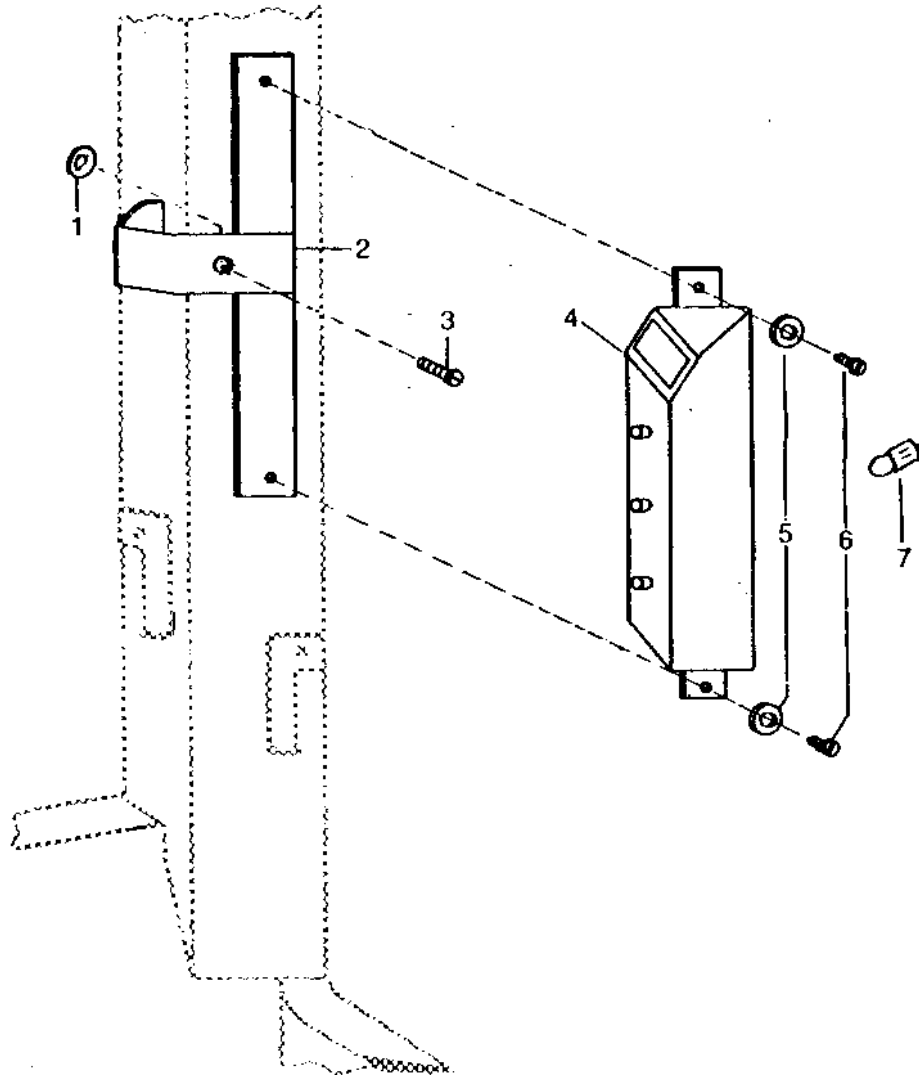
1B11

ELECTRICAL

HP2236

-UN-01JAN94

HARVESTRAK CONSOLE AND BRACKET (SERIAL NO. 600001-)



HP2236

1B12

ELECTRICAL

HARVESTRAK CONSOLE AND BRACKET - CONTINUED
(SERIAL NO. 600001-)

KEY	PART NO.	PART NAME	QTY	SERIAL NO.	REMARKS
1	T14189	CAP	1		
2	AH112486	BRACKET	1		
3	21M7247	SCREW	1		M6 X 35
4	AH109791	CONSOLE	1		
5	24H1288	WASHER	2		9/32" X 1" X 1/16"
6	37H153	SCREW	2		0.190" X 3/8"
7	AM31284	BULB	1		

1B14

ELECTRICAL

HARNESSES AND LAMPS (GRAIN TANK AND UNLOADING AUGER) - CONTINUED

KEY	PART NO.	PART NAME	QTY	SERIAL NO.	REMARKS
1	H109931	CLAMP	1	463601-	
2	AH89557	CLIP	1	463601-	
3	AH100021	BAIL	1	-463600	(SUB AH108467)
	AH108467	CLAMP	1	-600000	(SUB AH114466)
	AH114466	CLAMP	1		(UPPER)
4	19H1974	CAP SCREW	1		1/2" X 2-3/4"
5	24H1111	WASHER	2		17/32" X 1-1/16" X 0.090"
6	R67377	CLAMP	1		
7	HOUSING	1		(SERVICED IN AH98901)
8	AR42591	HEADLIGHT	1		34-WATT
9	R30182	BEZEL	1		
	R31250	BEZEL	1		
10	AH98901	HEADLIGHT	1		(SUB AH162581 KIT AND AF3892R LAMP)
11	H100019	CLAMP	1	-463600	(SUB H109931)
	H109931	CLAMP	1		(LOWER)
12	24H1305	WASHER	6	463601-	13/32" X 13/16" X 0.065"
13	N112200	SELF-LOCKING SCREW	2	-463600	
	N10213	LOCK NUT	2	-463600	
	E60315	SELF-LOCKING SCREW	6	463601-	
	H95174	LOCK NUT	6	463601-	
14	AH89557	CLIP	1		
	24H1287	WASHER	1		9/32" X 5/8" X 0.065"
	N10217	LOCK NUT	1		
15	AH99997	WIRING HARNESS	1		UNLOADING AUGER
	AH100372	WIRING HARNESS	1	600001-	UNLOADING AUGER (WITH DIAL-A-MATIC)
16	AH89557	CLIP	1		
	24H1136	WASHER	1		11/32" X 11/16" X 0.065"
	N10213	LOCK NUT	1		
17	AH99996	WIRING HARNESS	1		GRAIN TANK
18	T32231	CLAMP	2	-513350	
	T32231	CLAMP	4	513351-	
	T32231	CLAMP	2	600001-	(WITH DIAL-A-MATIC)
19	H95560	GROMMET	1		
20	19H1974	CAP SCREW	1		1/2" X 2-3/4"
	12H301	LOCK WASHER	1		1/2"
21	24H1111	WASHER	1		17/32" X 1-1/16" X 0.090"
22	AH100022	BRACKET	1		
23	19H1792	CAP SCREW	1		1/2" X 1"
	12H301	LOCK WASHER	1		1/2"
	14H1040	NUT	1		1/2"
24	HOUSING	1		(SERVICED IN AH98902)
25	AM31282	LAMP	1		18-WATT
26	R48293	BEZEL	1		
	R42689	BEZEL	1		
27	AH98902	HEADLIGHT	1		
28	R67377	CLAMP	1		
29	R70210	RECEPTACLE	1		2 HOLES
	R70211	CONNECTOR	1		2 HOLES
	R70222	PIN CONTACT	1		(PKG. OF 20)
	AR91793	SOCKET CONTACT	1		(PKG. OF 20)

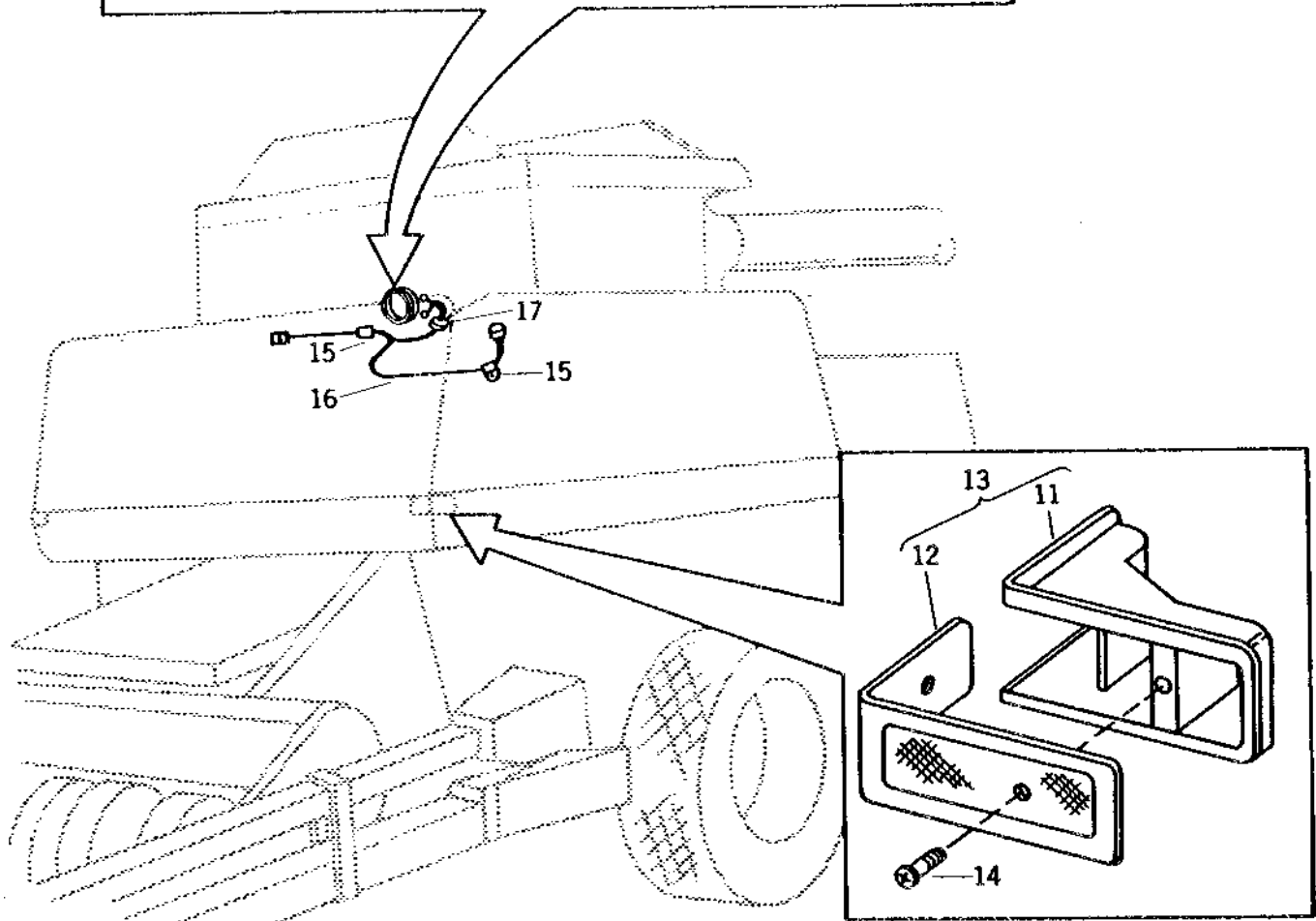
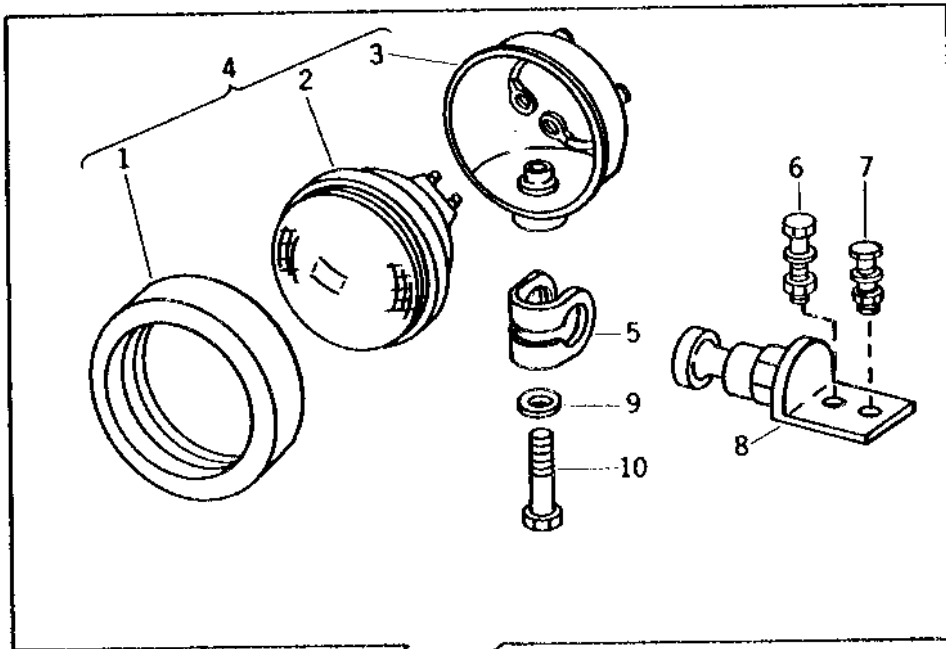
1B15

ELECTRICAL

H32594

-UN-01JAN94

FIELD LAMP, HARNESS, AND FRONT REFLECTORS



H32594

1B16

ELECTRICAL

FIELD LAMP, HARNESS, AND FRONT REFLECTORS - CONTINUED

KEY	PART NO.	PART NAME	QTY	SERIAL NO.	REMARKS
1	R30182	BEZEL	1		
	R31250	BEZEL	1		
2	AR42591	HEADLIGHT	1		35-WATT
3	HOUSING	1		(SERVICED IN AH98901)
4	AH98901	HEADLIGHT	1		(SUB AH162581 KIT AND AF3892R LAMP)
5	R67377	CLAMP	1		
6	19H1900	CAP SCREW	1		5/16" X 3/4"
	12H303	LOCK WASHER	1		5/16"
	14H785	NUT	1		5/16"
7	19H1792	CAP SCREW	1		1/2" X 1"
	12H301	LOCK WASHER	1		1/2"
	14H1040	NUT	1		1/2"
8	AH100022	BRACKET	1		
9	24H1111	WASHER	1		17/32" X 1-1/16" X 0.090"
10	19H1974	CAP SCREW	1		1/2" X 2-3/4"
11	HOUSING	1		(SERVICED IN AH80596)
12	H81068	LENS	1		
13	AH80596	REFLECTOR	1		AMBER
14	19H2036	CAP SCREW	1		1/4" X 7/8"
15	T32231	CLAMP	1		
16	AH98921	WIRING HARNESS	1	-600000	FIELD LAMP
17	P45476	GROMMET	1		

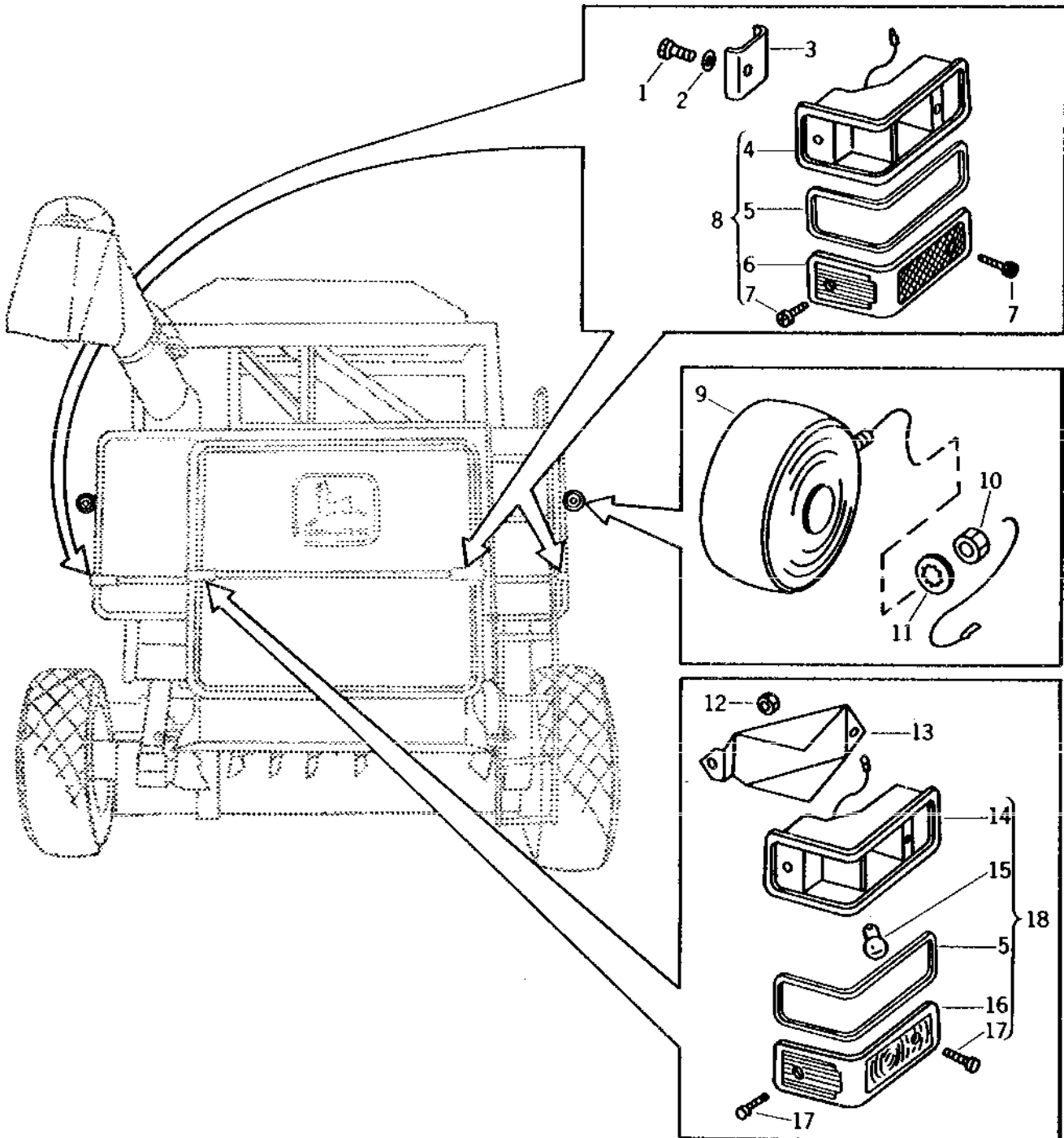
1B17

ELECTRICAL

H32593

-UN-01JAN94

TAIL, WARNING LIGHTS, AND REAR REFLECTORS



H32593

1B18

ELECTRICAL

TAIL, WARNING LIGHTS, AND REAR REFLECTORS - CONTINUED

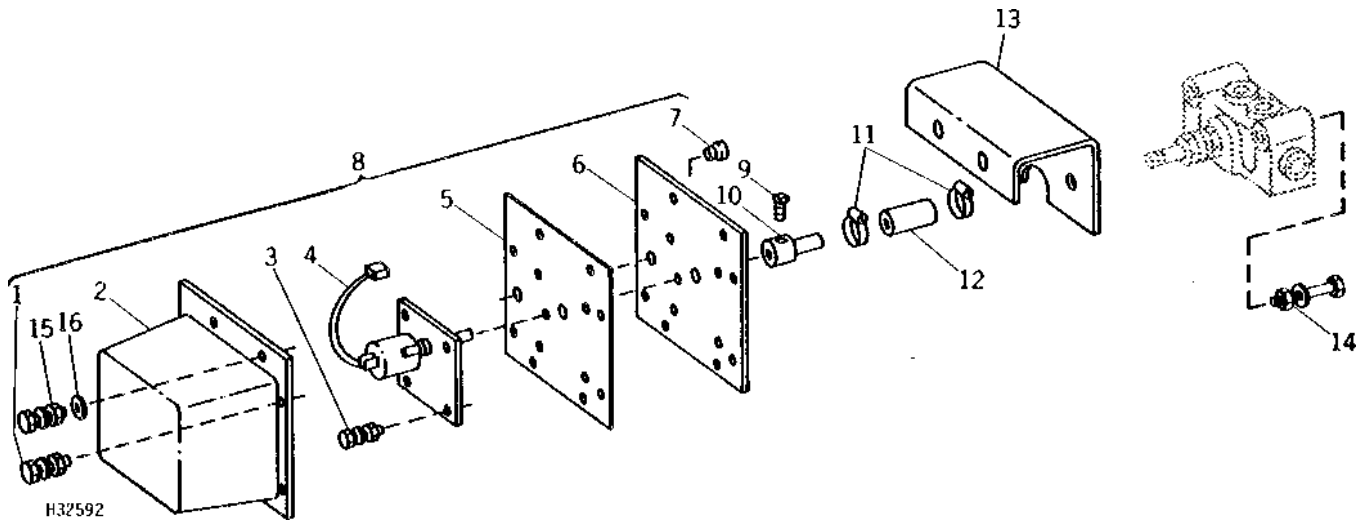
KEY	PART NO.	PART NAME	QTY	SERIAL NO.	REMARKS
1	19H1914	CAP SCREW	2	1/4" X 1"	
2	24H1287	WASHER	2	9/32" X 5/8" X 0.065"	
3	H83789	CHANNEL	3		
4	HOUSING	1		(SERVICED IN AH80595) INSULATED
5	H81071	GASKET	1		
6	H81067	LENS	1		
7	19H2036	CAP SCREW	AR	1/4" X 7/8"	
8	AH80595	REFLECTOR	3		
9	AT23467	LAMP	2	WARNING	
	AD2062R	BULB	2		
10	14H865	NUT	2	1/2"	
11	12H292	LOCK WASHER	2	1/2"	
12	N10213	LOCK NUT	1	GREASE	
13	H83387	SHIELD	1		
14	HOUSING	1		TAIL LAMP, (SERVICED IN AH80597)
15	AB2599R	BULB	1	12-VOLT (SERVICED IN PKG. OF 10)	
16	H81069	LENS	1	RED	
17	19H2036	CAP SCREW	AR	1/4" X 7/8"	
	12H297	LOCK WASHER	AR	1/4"	
18	AH80597	TAIL LAMP	1		

1B19

ELECTRICAL

H32592 -UN-01JAN94

ELECTRIC MOTOR - BELT PICKUP DRIVE



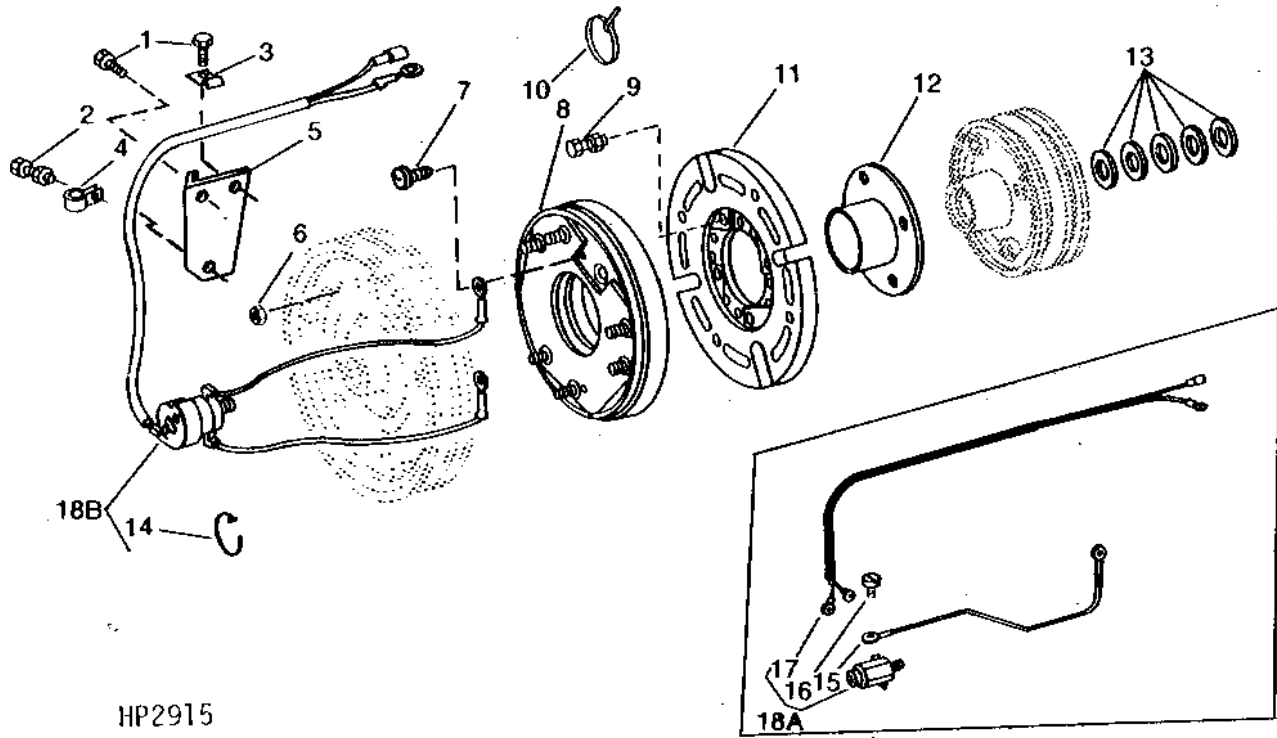
KEY	PART NO.	PART NAME	QTY	SERIAL NO.	REMARKS
1	21H1290	SCREW	6	0.138" X 1/2"	
	12H314	LOCK WASHER	6	0.138"	
	14H1026	NUT	6	0.138"	
2	H95195	COVER	1		
3	21H1376	SCREW	4	0.164" X 1-1/4"	
	12H315	LOCK WASHER	4	0.164"	
	14H605	NUT	4	0.164"	
4	AH92897	MOTOR	1		
5	H95192	GASKET	1		
6	H95191	PLATE	1		
7	H95560	GROMMET	1		
8	AH94131	ACTUATOR	1		
9	22H906	SET SCREW	1	1/4" X 1/2"	
10	H97941	ADAPTER	1		
11	AR21836	CLAMP	2		
12	H97942	HOSE	1		
13	H94426	BRACKET	1		
14	19H1907	CAP SCREW	2	5/16" X 2-3/4"	
	12H303	LOCK WASHER	2	5/16"	
	14H785	NUT	2	5/16"	
15	19H1948	CAP SCREW	2	1/4" X 3/4"	
	12H302	LOCK WASHER	2	1/4"	
	14H786	NUT	2	1/4"	
16	24H1287	WASHER	4	9/32" X 5/8" X 0.065"	

1B20

ELECTRICAL

HP2915 -UN-01JAN94

HEADER ELECTROMAGNETIC CLUTCH



HP2915

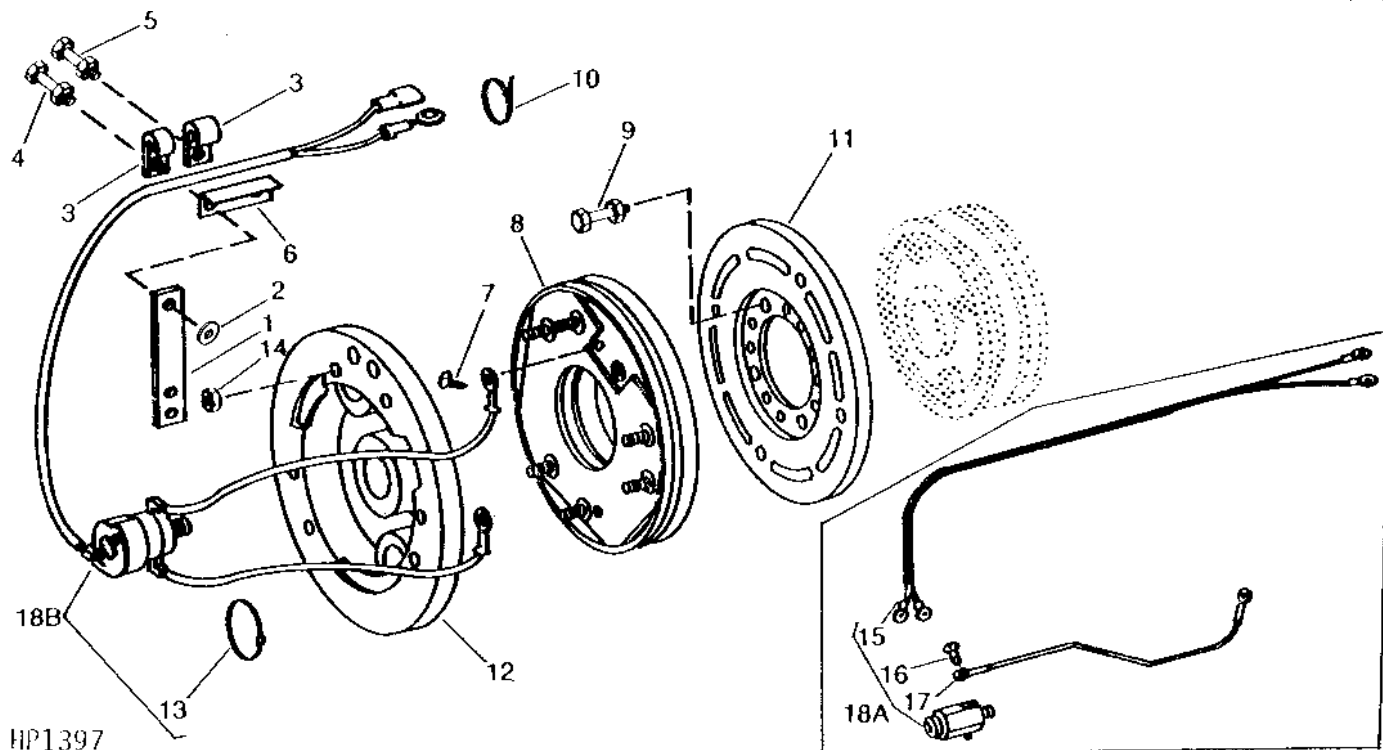
KEY	PART NO.	PART NAME	QTY	SERIAL NO.	REMARKS
1	H65108	SCREW	2		
2	19H1813	CAP SCREW	1	5/16" X 5/8"	
	12H303	LOCK WASHER	1	5/16"	
	14H785	NUT	1	5/16"	
3	AH89557	CLIP	1		
4	AH78125	CLIP	1	-615927	INSULATED, (SUB M47566, THIS APPLICATION)
	M47566	CLIP	1		
5	H86042	BRACKET	1		
6	14H812	NUT	6	3/8"	
	12H304	LOCK WASHER	6	3/8"	
7	21H1335	SCREW	1	0.190" X 5/16"	
8	AH90781	FIELD WINDING COIL	1		
9	19H1974	CAP SCREW	4	1/2" X 2-3/4", (USE WITH FIXED DRIVE FEEDER HOUSE)	
	19H1805	CAP SCREW	4	1/2" X 2-1/4", (USE WITH VARIABLE DRIVE FEEDER HOUSE)	
	12H301	LOCK WASHER	4	1/2"	
	14H1040	NUT	4	1/2"	
10	M66044	TIE BAND	1		
11	AH96244	ARMATURE	1		
12	AH76195	SHIELD	1		GREASE
13	H95481	WASHER	5	-414100	(SUB 24H1577)
	24H1577	WASHER	AR		1-25/32" X 2-7/8" X 0.036", (8 OR LESS)
14	H77698	TIE BAND	1		
15	WIRE	1	-513100	318 MM (12-1/2") LONG, (MAKE FROM 12-1/2" OF R66319 AND (2) R32018 IN AR84006 WIRING KIT)
16	SCREW	1	-513100	NO. 6 X 3/16"
	12H321	WASHER	1	-513100	0.138"
17	AH87927	CABLE	1	-513100	
18A	AH87926	CARBON BRUSH HOLDER	1	-513103	(SUB AH109495)
18B	AH109495	CARBON BRUSH HOLDER	1	-625300	(SUB AH107036 AND H77698)
	AH107036	BRUSH	1		

1B21

ELECTRICAL

HP1397 -UN-01JAN94

UNLOADING AUGER ELECTROMAGNETIC CLUTCH



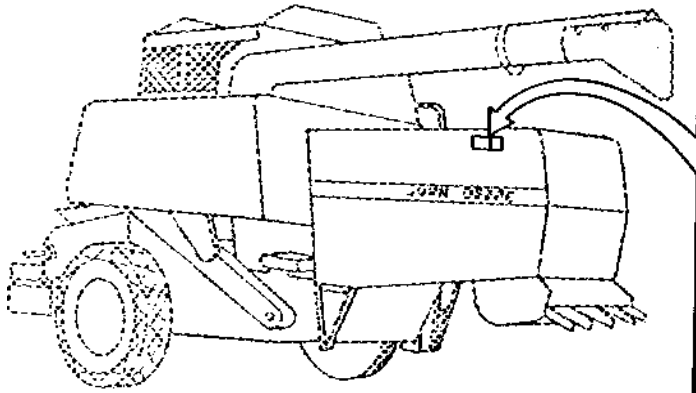
KEY	PART NO.	PART NAME	QTY	SERIAL NO.	REMARKS
1	H97170	STRAP	1		
2	24H1136	WASHER	1		11/32" X 11/16" X 0.065"
3	AH77724	CLIP	2	-562900	CUSHIONED
	AH76882	CLIP	2	562901-615300	(SUB M47566, THIS APPLICATION)
	M47566	CLIP	2	615301-	
4	19H1905	CAP SCREW	1		5/16" X 1"
	12H303	LOCK WASHER	1		5/16"
	14H785	NUT	1		5/16"
5	19H1900	CAP SCREW	1		5/16" X 3/4"
	12H303	LOCK WASHER	1		5/16"
	14H785	NUT	1		5/16"
6	H94628	ANGLE	1		
7	21H1335	SCREW	1		0.190" X 5/16"
8	AH90781	FIELD WINDING COIL	1		
9	19H1721	CAP SCREW	4		1/2" X 1-1/2"
	12H301	LOCK WASHER	4		1/2"
	14H1040	NUT	4		1/2"
10	M66044	TIE BAND	1		
11	AH96244	ARMATURE	1		
12	H94506	HUB	1		
13	H77698	TIE BAND	1		
14	14H812	NUT	6		3/8"
	12H304	LOCK WASHER	6		3/8"
15	AH87927	CABLE	1	-513100	
16	SCREW	1	-513100	NO. 6 X 3/16"
	12H321	WASHER	1	-513100	0.138"
17	WIRE	1	-513100	318 MM (12-1/2") LONG, (MAKE FROM 12-1/2" OF R32007 AND (2) R32018 IN AR30963 WIRING KIT)
18A	AH87926	CARBON BRUSH HOLDER	1	-513103	(SUB AH109495)
18B	AH109495	CARBON BRUSH HOLDER	1	-625300	(SUB AH107036 AND H77698)
	AH107036	BRUSH	1		

1B22

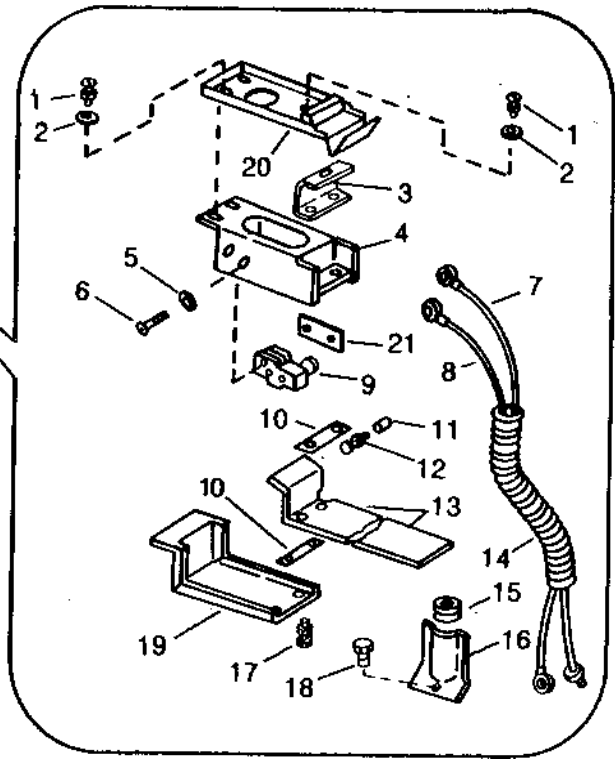
ELECTRICAL

HP3451 -UN-01JAN94

STRAW WALKER PLUGGING SENSING UNIT



HP3451



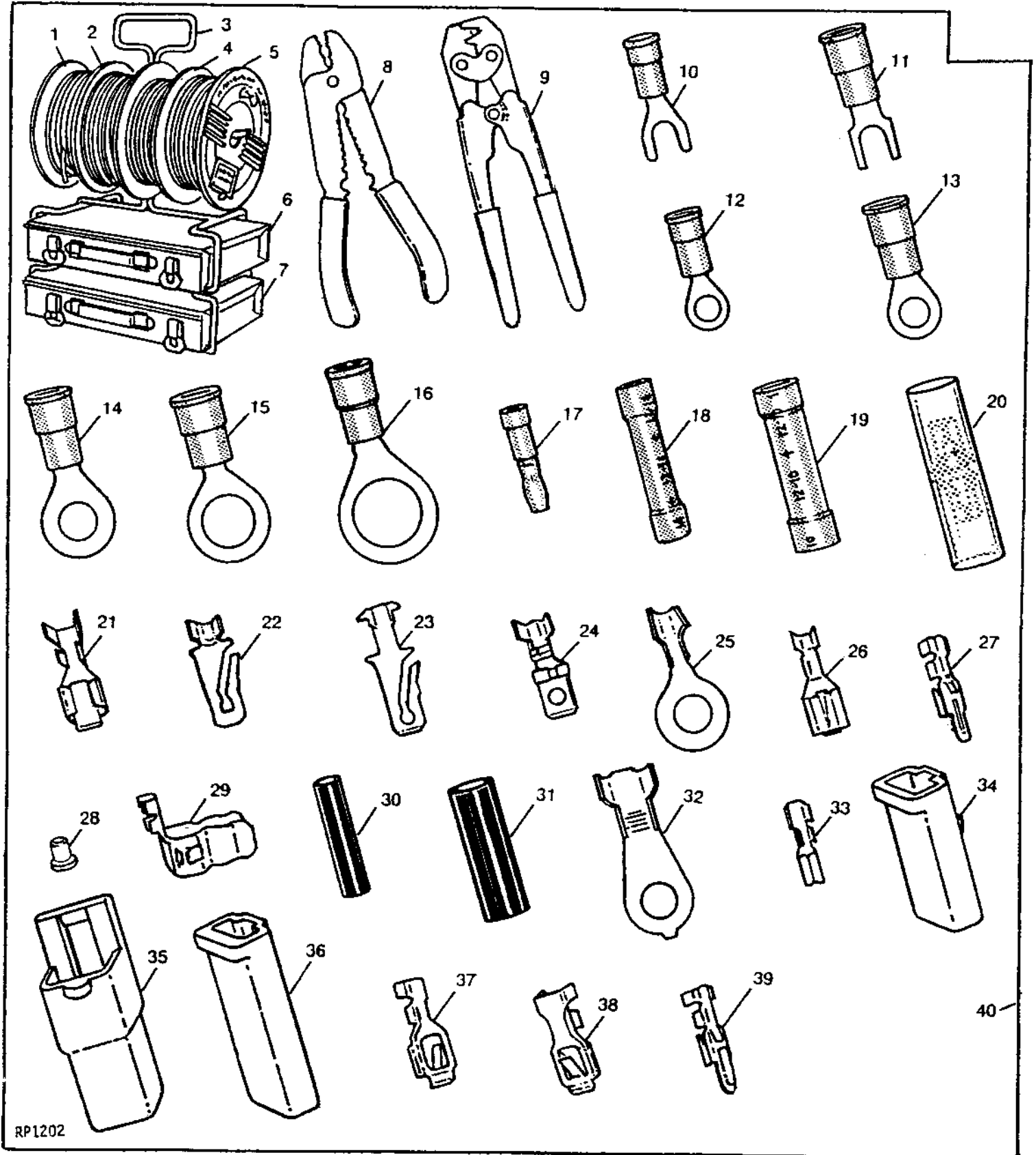
KEY	PART NO.	PART NAME	QTY	SERIAL NO.	REMARKS
1	21H1024	SCREW	3	-600000	1/4" X 5/8"
	21H1044	SCREW	3	600001-610600	1/4" X 1-1/4"
	N10542	SCREW	3		1/4" X 1-1/4"
	14H786	NUT	3	-610600	1/4"
	N10217	LOCK NUT	3		1/4"
2	12H314	LOCK WASHER	2		0.138"
3	H62447	BRACKET	1		
4	H94856	BRACKET	1		
5	24H1281	WASHER	2	-600000	5/32" X 3/8" X 0.049"
	24H1281	WASHER	1		5/32" X 3/8" X 0.049"
6	21H1184	SCREW	2		0.138" X 1-1/8"
	14H1026	NUT	2	-600000	0.138"
7	12H314	LOCK WASHER	2		0.138"
	AH93978	CABLE	1	-600000	(YELLOW AND BLACK) (SUB AH112549)
	AH112549	WIRING LEAD	1		
8	WIRING LEAD	1		(MAKE FROM 8" OF R65593 AND (2) R32018 IN AR84006 WIRING KIT)
9	AH62345	SWITCH	1		
10	H62443	STRAP	2		RUBBER
11	28H1611	WASHER	1		0.269" X 0.405" X 5/16"
12	12H302	LOCK WASHER	1	-600000	1/4"
	14H786	NUT	1	-600000	1/4"
	19H1948	CAP SCREW	1		1/4" X 3/4"
	N10217	LOCK NUT	1		1/4"
13	H62444	LEVER	1		
14	CONDUIT	1	-600000	(CUT FROM H88857)
15	P45476	GROMMET	1		
16	H79897	PLATE	1		
17	21H1197	SCREW	2	-600000	0.190" X 1-1/4"
	14H778	NUT	4	-600000	0.190"
	19H3358	CAP SCREW	2	600001-	0.190" X 1"
	U45916	LOCK NUT	2		
18	H24710	SCREW	1		SELF-TAPPING
19	H62445	COVER	1		
20	AH112548	SHIELD	1	600001-	
21	E71183	STRAP	1	600001-	SPECIAL

1B23

ELECTRICAL

RP1202 -UN-12SEP95

TERMINAL AND WIRING KIT



RP1202

1B24

ELECTRICAL

TERMINAL AND WIRING KIT - CONTINUED

KEY	PART NO.	PART NAME	QTY	SERIAL NO.	REMARKS
1	R66319	WIRING LEAD	1		14 GA., 30.5 MM (100 FT.) (1 SPOOL)
2	R65593	WIRING LEAD	1		16 GA., 30.5 MM (100 FT.) (1 SPOOL)
3	R65608	RACK	1		
4	R66321	WIRING LEAD	1		10 GA., 15 MM (50 FT.) (1 SPOOL)
5	R66320	WIRING LEAD	1		12 GA., 30.5 MM (100 FT.) (1 SPOOL)
6	R65609	CONTAINER	1		
7	R65610	CONTAINER	1		
8	R32011	TOOL	1		
9	R65594	TOOL	1		
10	R32016	TERMINAL	1		14-16 GA., NO. 10 SPADE
11	R32017	TERMINAL	1		10-12 GA., NO. 10 SPADE
12	R32018	TERMINAL	1		14-16 GA., NO. 10 EYELET
13	R32019	TERMINAL	1		10-12 GA., NO. 10 EYELET
14	R32021	TERMINAL	1		10-12 GA., 1/4" EYELET
15	R32022	TERMINAL	1		10-12 GA., 3/8" EYELET
16	R32023	TERMINAL	1		10-12 GA., 1/2" EYELET
17	R32026	TERMINAL	1		MALE BULLETT
18	R32027	CONNECTOR	1		SPLICE, 14-16 GA.
19	R32028	TERMINAL	1		SPLICE, 10-12 GA.
20	R32029	TERMINAL	1	-610600	(SUB AL2976T, THIS APPLICATION)
	AL2976T	CONNECTOR	1		2-WIRE BULLETT CONNECTOR
21	R65595	TERMINAL	1		FEMALE, 10 GA.
22	R65596	TERMINAL	1		MALE, 10 GA. OR (2) 14 GA. CABLES
23	R65597	TERMINAL	1		MALE, 14-16 GA.
24	R65598	TERMINAL	1		MALE, SHORT, 14-16 GA.
25	R65599	TERMINAL	1		14-16 GA., 1/4" EYELET
26	R65600	TERMINAL	1		FEMALE, 14-16 GA.
27	R65601	TERMINAL	1		TWIN-LOCK, (2) 16 GA. CABLES
28	R65602	SOCKET CONTACT	1		BULB SOCKET, 16-18 GA.
29	R65603	TERMINAL NIPPLE	1		FUSE
30	R65604	INSULATING SLEEVE	1		14-18 GA.
31	R65605	INSULATING SLEEVE	1		8-12 GA.
32	R65606	TERMINAL	1		6-8 GA., 1/4" EYELET
33	R65607	TERMINAL	1		18-20 GA.
34	T28583	RECEPTACLE CONNECTOR BODY	1		ONE CONTACT, LOCK-TYPE, MALE
35	T28585	TAB CONNECTOR BODY	1		ONE CONTACT, LOCK-TYPE, FEMALE
36	U46370	CONNECTOR	1		ONE CONTACT, SINGLE-BODY, MALE
37	U46662	TERMINAL	1		MALE
38	U46663	TERMINAL	1		MALE
39	U46664	TERMINAL	1		MALE
40	AR84006	KIT	1	-XXXXXX	TERMINAL AND WIRING, (SUB RE11154)

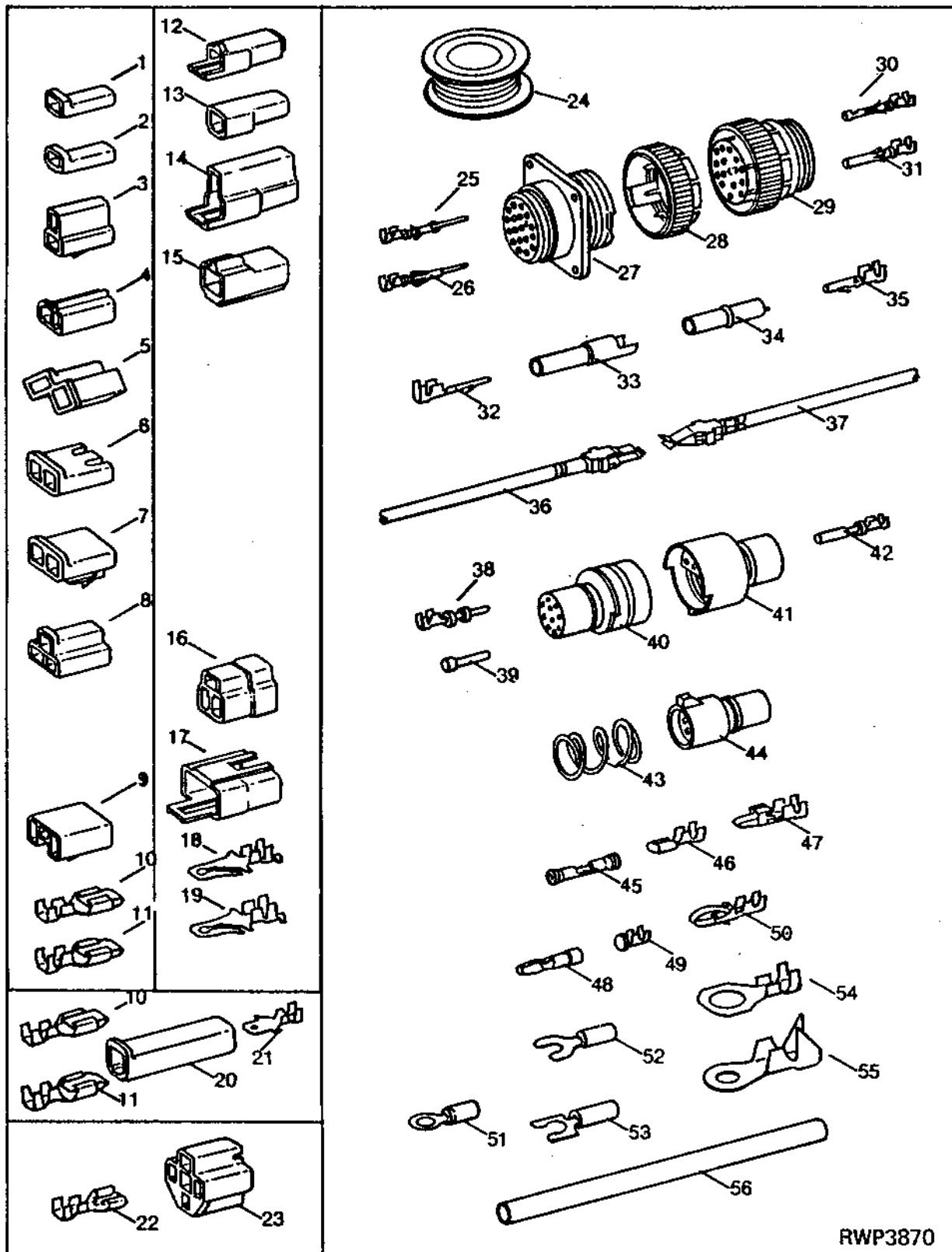
1C1

ELECTRICAL

RWP3870

-UN-01JAN94

ELECTRICAL CONNECTOR SERVICE KIT



RWP3870

ELECTRICAL CONNECTOR SERVICE KIT - CONTINUED

KEY	PART NO.	PART NAME	QTY	SERIAL NO.	REMARKS
1	T28583	RECEPTACLE CONNECTOR BODY	1		PKG. OF 3
2	M43835	FLAT CONNECTOR	1		PKG. OF 3
3	R77476	CONNECTOR	1		PKG. OF 2
4	R77477	RECEPTACLE CONNECTOR BODY	1		PKG. OF 2
5	R77479	CONNECTOR	1		PKG. OF 2
6	R77480	RECEPTACLE CONNECTOR BODY	1		PKG. OF 2
7	R77481	CONNECTOR	1		PKG. OF 2
8	R77482	CONNECTOR	1		
9	H104855	RECEPTACLE CONNECTOR BODY	1		
10	U46662	TERMINAL	1		PKG. OF 25 (14 OR 16 GA. WIRE)
11	N115096	TERMINAL	1		PKG. OF 15 (10 OR 12 GA. WIRE)
12	T28585	TAB CONNECTOR BODY	1		PKG. OF 3
13	R77475	CONNECTOR	1		PKG. OF 3
14	T28586	CONNECTOR	1		PKG. OF 2
15	R77478	CONNECTOR	1		PKG. OF 2
16	R77483	CONNECTOR	1		
17	R48887	TAB CONNECTOR BODY	1		
18	T34067	TERMINAL	1		PKG. OF 25 (14 OR 16 GA. WIRE)
19	R77484	TERMINAL	1		PKG. OF 15 (10 OR 12 GA. WIRE)
20	U46370	CONNECTOR	1		PKG. OF 3
21	R77485	TAB	1		PKG. OF 10 (14 OR 16 GA. WIRE)
22	R77486	TERMINAL	1		PKG. OF 25
23	R77487	CONNECTOR	1		PKG. OF 3
24	R66321	WIRING LEAD	1		15M (50 FT.) 10 GA.
	R66320	WIRING LEAD	1		30.5M (100 FT.) 12 GA.
	R77501	WIRE	1		30.5M (100 FT.) 14 GA.
	R77500	WIRE	1		30.5M (100 FT.) 16 GA.
	R77499	WIRE	1		30.5M (100 FT.) 18 GA.
	R77498	WIRE	1		30.5M (100 FT.) 20 GA.
25	R77462	PIN CONTACT	1		PKG. OF 40 (20-22 OR 24 GA. WIRE) (MALE)
26	R77464	PIN CONTACT	1		PKG. OF 50 (14-16 OR 18 GA. WIRE) (MALE)
27	R77456	RECEPTACLE	1		37 WAY (MALE)
28	R77458	CONNECTOR	1		PKG. OF 2 (SIZE 23)
	R77459	CONNECTOR	1		PKG. OF 2 (SIZE 17)
	R77460	CONNECTOR	1		PKG. OF 2 (SIZE 13)
	R77461	CONNECTOR	1		PKG. OF 2 (SIZE 11)
29	R77457	ELECTRICAL PLUG	1		37 WAY (FEMALE)
30	R77463	SOCKET CONTACT	1		PKG. OF 40 (20-22 OR 24 GA. WIRE) (FEMALE)
31	R77465	SOCKET CONTACT	1		PKG. OF 50 (14-16 OR 18 GA. WIRE) (FEMALE)
32	R77468	TERMINAL	1		PKG. OF 5
33	R77466	CONNECTOR	1		PKG. OF 2
34	R77467	CONNECTOR	1		PKG. OF 2
35	R77469	TERMINAL	1		PKG. OF 5
36	RE11156	TERMINAL	1		PKG. OF 3 (MALE W/LEAD)
37	RE11157	TERMINAL	1		PKG. OF 3 (FEMALE W/LEAD)
38	R70222	PIN CONTACT	1		PKG. OF 20 (14-16 OR 18 GA. WIRE)
39	R70221	ELECTRICAL PLUG	1		PKG. OF 25
40	R70219	PLUG	1		PKG. OF (2) R70218 AND (2) R70219 (10 WAY)
	R70217	PLUG	1		PKG. OF (2) R70216 AND (2) R70217 (7 WAY)
	R70215	PLUG	1		PKG. OF (2) R70214 AND (2) R70215 (4 WAY)
	R70213	PIN CONTACT CONNECTOR BODY	1		PKG. OF (2) R70212 AND (2) R70213 (3 WAY)
	R70211	CONNECTOR	1		PKG. OF (2) R70210 AND (2) R70211 (2 WAY)
41	R70218	RECEPTACLE	1		(ORDER R70219)
	R70216	RECEPTACLE	1		(ORDER R70217)
	R70214	RECEPTACLE	1		(ORDER R70215)
	R70212	RECEPTACLE	1		(ORDER R70213)
	R70210	RECEPTACLE	1		(ORDER R70211)

NOTE: THIS PARTS LISTING IS CONTINUED ON NEXT PAGE.

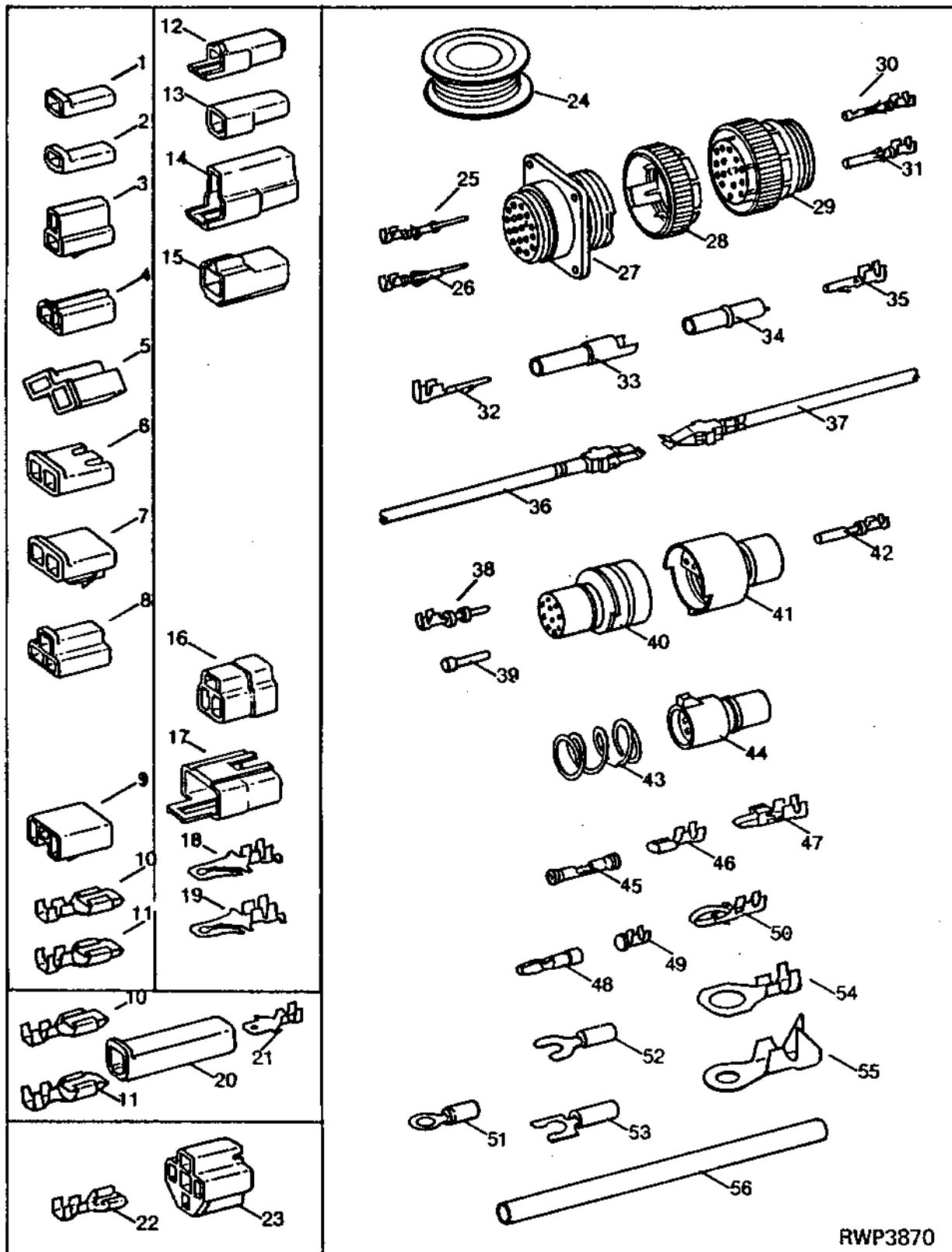
1C3

ELECTRICAL

RWP3870

-UN-01JAN94

ELECTRICAL CONNECTOR SERVICE KIT



ELECTRICAL CONNECTOR SERVICE KIT - CONTINUED

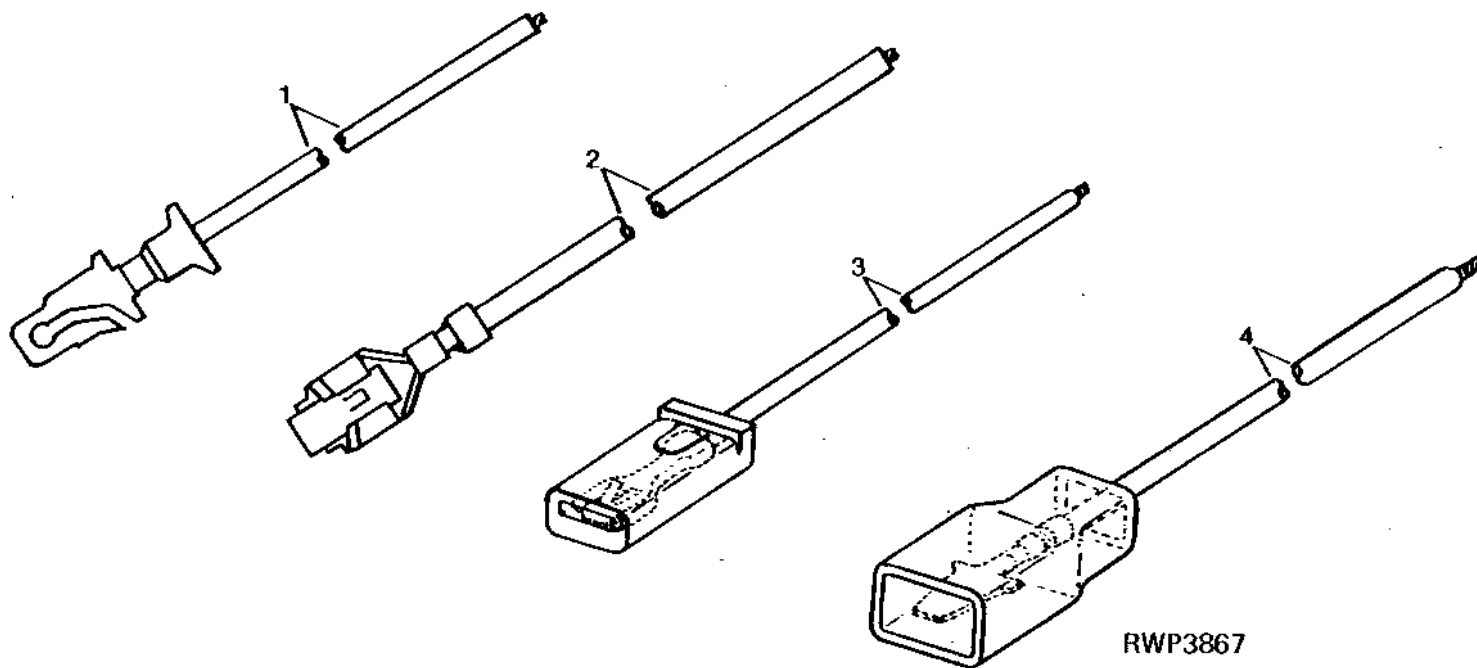
KEY	PART NO.	PART NAME	QTY	SERIAL NO.	REMARKS
42	AR91793	SOCKET CONTACT	1		PKG. OF 20
43	R30378	SPRING	1		PKG. OF 10
44	R77474	CONNECTOR	1		PKG. OF 2 (6 WAY)
45	R77470	TERMINAL	1		SPLICE (PKG. OF 15)(16-18-20 OR 22 GA. WIRE)
	R77471	TERMINAL	1		PKG. OF 10 (10 OR 12 GA. WIRE) SPLICE
	R77472	TERMINAL	1		PKG. OF 2 (8 GA. WIRE) SPLICE
	R77473	TERMINAL	1		PKG. OF 2 (6 GA. WIRE) SPLICE
46	R65607	TERMINAL	1		PKG. OF 10 (18 OR 20 GA. WIRE)
47	U46664	TERMINAL	1		PKG. OF 10 (14 OR 16 GA. WIRE)
48	R32026	TERMINAL	1		PKG. OF 20 (14 OR 16 GA. WIRE)
49	R65602	SOCKET CONTACT	1		PKG. OF 10 (16 OR 18 GA. WIRE)
50	R70220	TERMINAL	1		PKG. OF 10 (18 OR 20 GA. WIRE)
51	R77489	TERMINAL	1		PKG. OF 20 (14-16-18 OR 20 GA. WIRE) (NO. 10 EYELET)
	R77493	TERMINAL	1		PKG. OF 20 (10 OR 12 GA. WIRE)(NO. 10 EYELET)
	R77488	TERMINAL	1		PKG. OF 20 (14-16-18 OR 20 GA. WIRE) (3/8" EYELET)
	R77490	TERMINAL	1		PKG. OF 20 (10 OR 12 GA. WIRE)(1/2" EYELET)
52	R77496	TERMINAL	1		PKG. OF 20 (14 OR 16 GA. WIRE)(NO. 8 SPADE)
	R77495	TERMINAL	1		PKG. OF 20 (18 GA. WIRE)(NO. 10 SPADE)
53	R77497	TERMINAL	1		PKG. OF 20 (14 OR 16 GA. WIRE)(NO. 6 SPADE)
54	R77491	TERMINAL	1		PKG. OF 20 (10 OR 12 GA. WIRE)(3/8" EYELET)
	R77492	TERMINAL	1		PKG. OF 20 (10 OR 12 GA. WIRE)(1/4" EYELET)
55	R77494	TERMINAL	1		PKG. OF 20 (6 OR 8 GA. WIRE)(1/4" EYELET)
56	R77502	TUBE	1		PKG. OF 8 (3/8")(HEAT SHRINK)
	R77503	TUBE	1		PKG. OF 8 (3/16")(HEAT SHRINK)
57	RE11154	KIT	1		

1C5

ELECTRICAL

RWP3867 -UN-01JAN94

SUPPLEMENTARY TERMINALS AND CONNECTORS

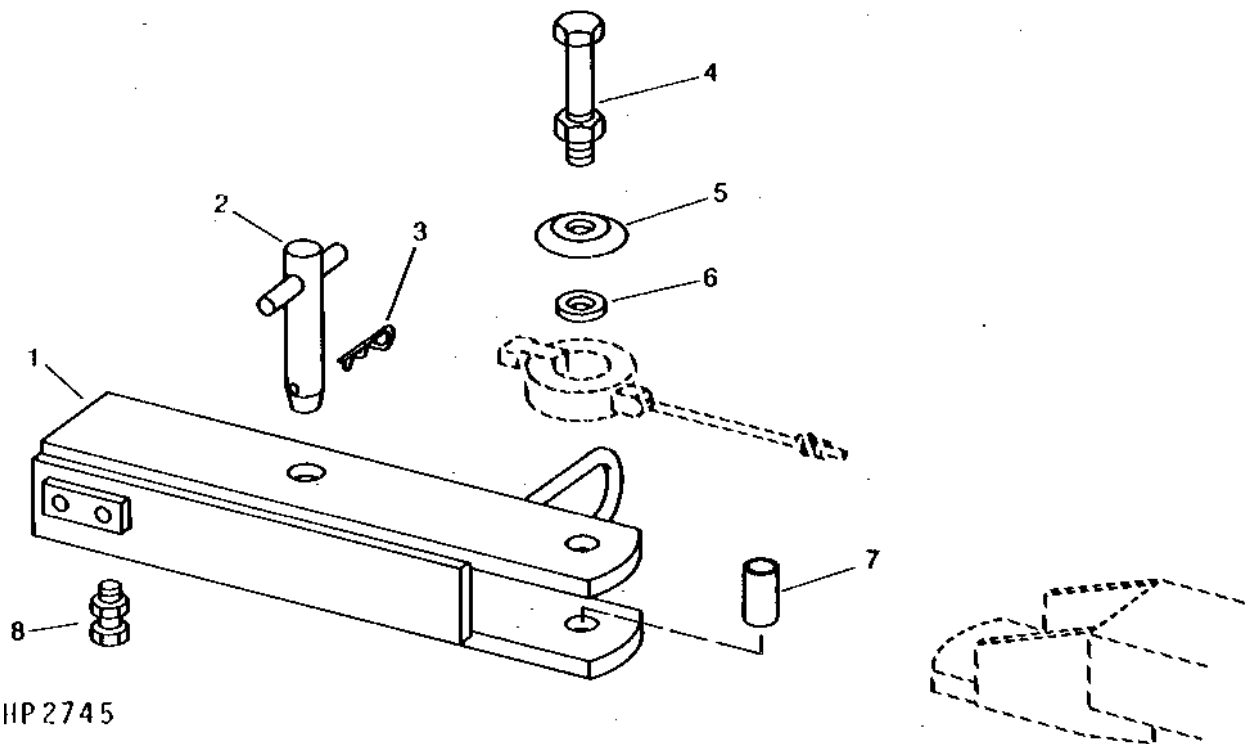


KEY	PART NO.	PART NAME	QTY	SERIAL NO.	REMARKS
1	AR65005	TERMINAL	1		
2	AR65006	TERMINAL	1		
3	R32024	WIRING LEAD	1		
4	R32025	WIRING LEAD	1		

1C8

HP2745 -UN-01JAN94

DRAWBAR EXTENSION (NOT INCLUDING 4430 TRACTOR)



HP 2745

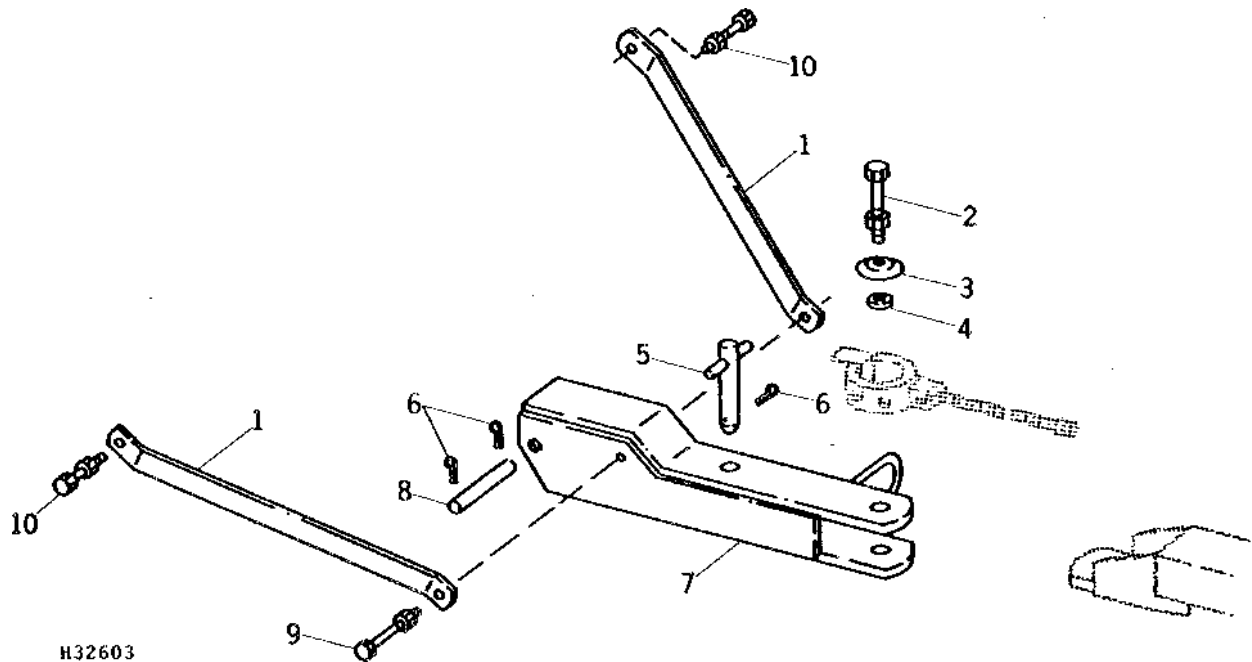
KEY	PART NO.	PART NAME	QTY	SERIAL NO.	REMARKS
1	AH93537	DRAWBAR	1		(4440, 4520, 4630, AND 5020 TRACTORS)
	AH93952	DRAWBAR	1		(4640, 4840, 6030, 8430, AND 8630 TRACTORS)
2	AH93343	PIN	1		
3	28316	SPRING LOCKING PIN	1		
4	19H3314	SCREW	1		1" X 5-1/4"
	H61901	LOCK NUT	1		
5	H94393	WASHER	1		
6	H94394	WASHER	1		
7	H122309	SLEEVE	1	615301-	
8	19H2482	CAP SCREW	4		5/8" X 2-1/4"
	14H821	NUT	4		5/8"

MEMORANDA

1C9

H32603 -UN-01JAN94

DRAWBAR EXTENSION (FOR 4430 TRACTOR ONLY)



KEY	PART NO.	PART NAME	QTY	SERIAL NO.	REMARKS
1	N170669	STRAP	2		
2	19H3314	SCREW	1	1" X 5-1/4"	
	H61901	LOCK NUT	1		
3	H94393	WASHER	1		
4	H94394	WASHER	1		
5	AH11211	PIN	1	(4430 ONLY)	
6	28316	SPRING LOCKING PIN	3		
7	AH93681	DRAWBAR	1		EXTENSION
8	H95041	PIN	1	-513100	(SUB H112109)
	H112109	PIN	1		
9	19H1872	CAP SCREW	1	5/8" X 6"	
	K40015	LOCK NUT	1		
10	19H2072	CAP SCREW	2	5/8" X 3-1/4"	
	K40015	LOCK NUT	2		

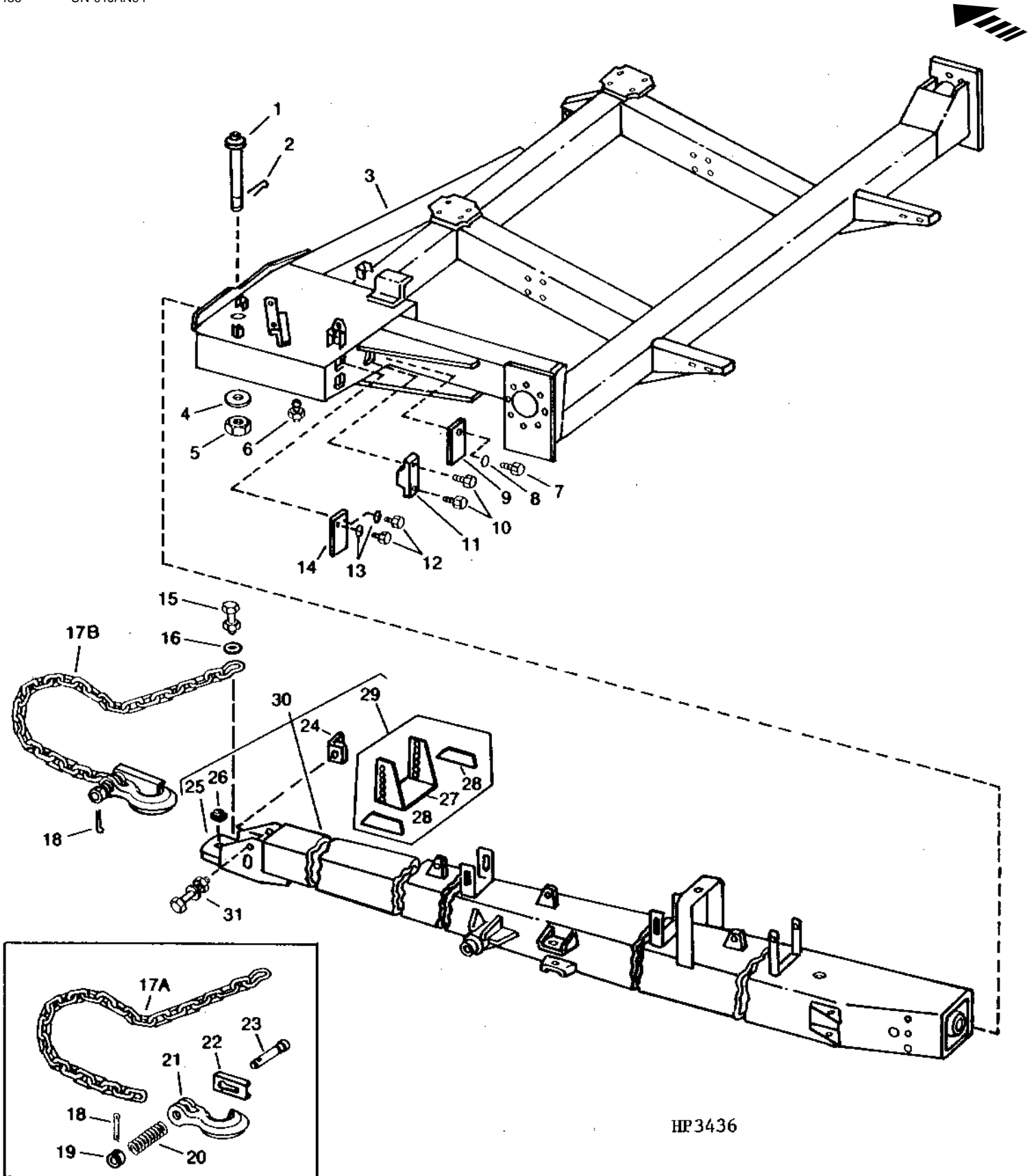
1C10

POWER TRAIN

HITCH BEAM, AXLE FRAME, AND SAFETY CHAIN (SERIAL NO. -610600)

HP3436

-UN-01JAN94



HP3436

1C11

POWER TRAIN

HITCH BEAM, AXLE FRAME, AND SAFETY CHAIN - CONTINUED
(SERIAL NO. -610600)

KEY	PART NO.	PART NAME	QTY	SERIAL NO.	REMARKS
1	AH96243	PIN	1		
2	11H246	COTTER PIN	1	3/16" X 3-1/2"	
3	AH98952	AXLE	1		
4	H97026	BUSHING	1		
5	14H990	NUT	1	1-1/2"	
6	JD7769	LUBRICATION FITTING	1	STRAIGHT, 1/4"	
7	19H1936	CAP SCREW	1	3/8" X 3/4"	
8	24H1769	WASHER	1	25/64" X 1" X 0.134"	
9	H100282	SEAL	1		
10	19H1800	CAP SCREW	2	3/8" X 1-1/2"	
	12H304	LOCK WASHER	2	3/8"	
11	H100281	PLUG	1		
12	19H1813	CAP SCREW	2	5/16" X 5/8"	
13	24H1224	WASHER	2	11/32" X 1" X 1/16"	
14	H97024	FLAP	1		
15	19H2113	CAP SCREW	1	3/4" X 3-1/4"	
	T25879	NUT	1		
16	R36402	WASHER	1		
17A	AR100278	LINK CHAIN	1	-620300	(SUB AR90583)
17B	AR90583	LINK CHAIN	1		
18	34H248	SPRING PIN	1	1/8" X 13/16"	
19	R74593	RETAINER	1	-620300	
20	R74594	SPRING	1	-620300	
21	R69406	HOOK	1	-620300	
22	R74592	LATCH	1	-620300	
23	R74591	PIN	1	-620300	
24	H103451	ANGLE	1		
25	H92725	CLEVIS	1		(ARC WELDED)
26	AH94551	BALL JOINT	1		
27	H103166	BRACKET	1	-600000	(SUB H118176 AND (2) H118177)
	H118176	BRACKET	1	-600000	(ARC WELDED) (SUB AH119465)
28	H118177	REINFORCEMENT	2	-600000	(ARC WELDED) (SUB AH119465)
29	AH119465	PACKAGE OF PARTS	1	600001-	
30	AH92282	HITCH	1	-600000	(SUB AH115460)
	AH115460	HITCH	1	-610600	(SUB AH121103, AH121060, H125867, (3) H125861 AND AH121189)
31	19H1900	CAP SCREW	1	5/16" X 3/4"	
	12H303	LOCK WASHER	1	5/16"	
	14H785	NUT	1	5/16"	

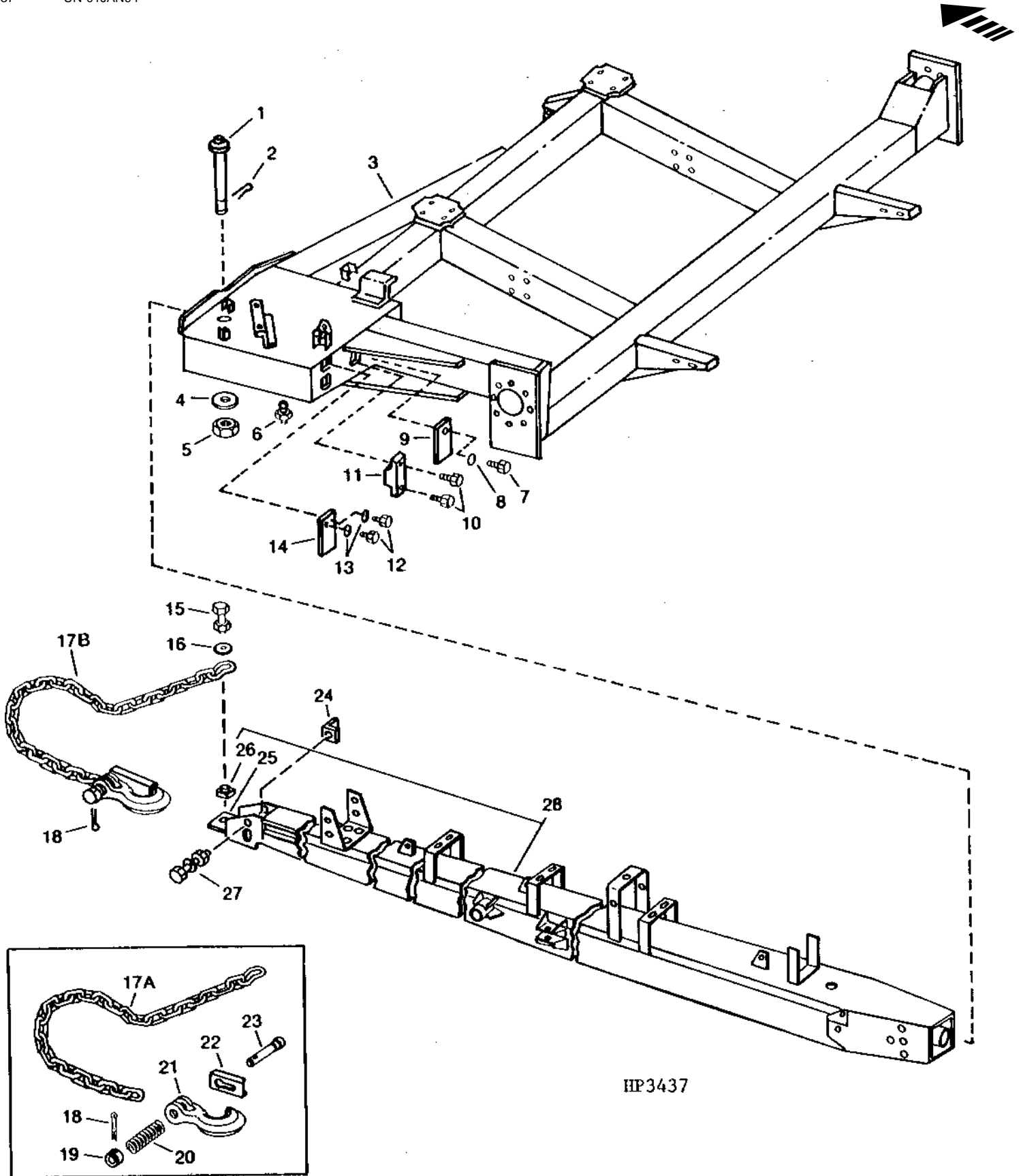
1C12

POWER TRAIN

HITCH BEAM, AXLE FRAME, AND SAFETY CHAIN (SERIAL NO. 610601-)

HP3437

-UN-01JAN94



HP3437

1C13

POWER TRAIN

HITCH BEAM, AXLE FRAME, AND SAFETY CHAIN - CONTINUED
(SERIAL NO. 610601-)

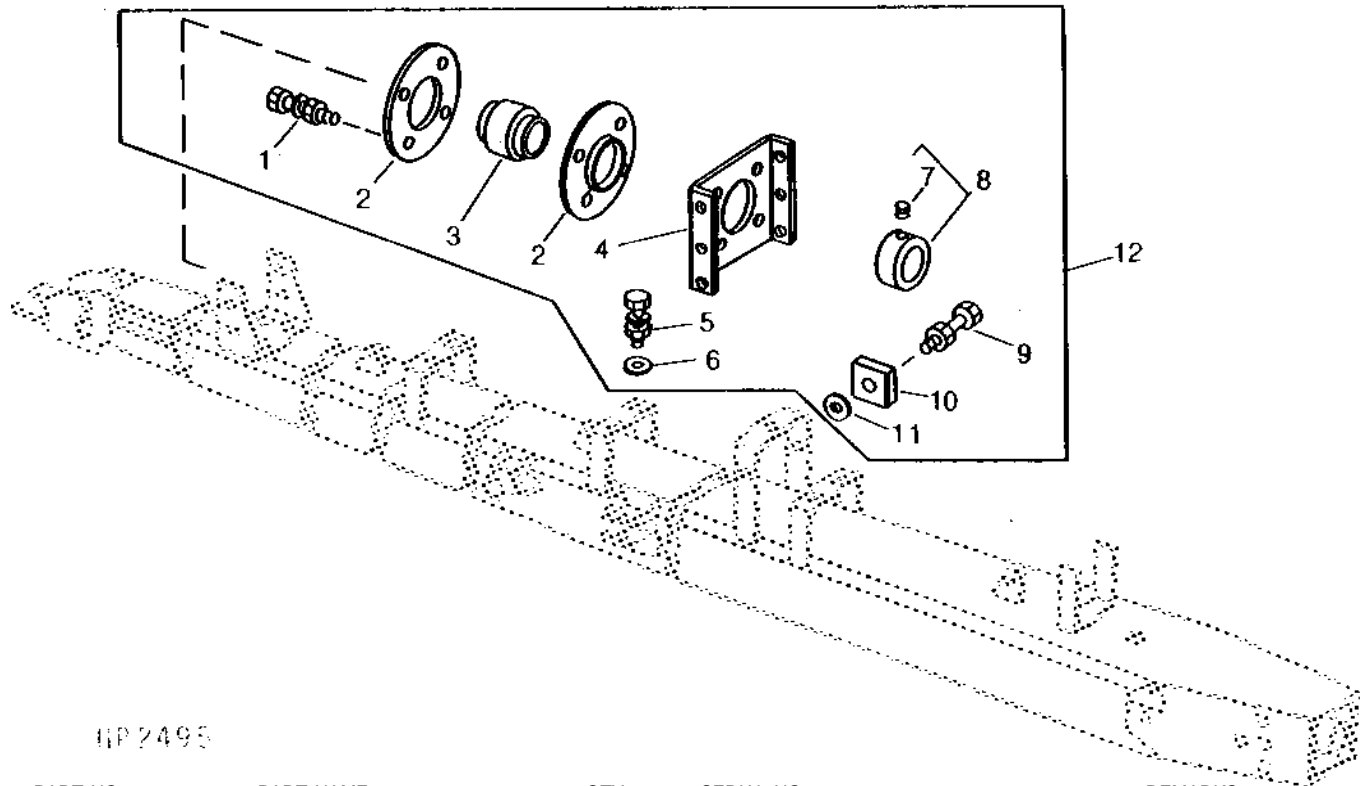
KEY	PART NO.	PART NAME	QTY	SERIAL NO.	REMARKS
1	AH96243	PIN	1		
2	11H246	COTTER PIN	1	3/16" X 3-1/2"	
3	AH98952	AXLE	1		
4	H97026	BUSHING	1		
5	14H990	NUT	1	1-1/2"	
6	JD7769	LUBRICATION FITTING	1	STRAIGHT, 1/4"	
7	19H1936	CAP SCREW	1	3/8" X 3/4"	
8	24H1769	WASHER	1	25/64" X 1" X 0.134"	
9	H100282	SEAL	1		
10	19H1800	CAP SCREW	2	3/8" X 1-1/2"	
	12H304	LOCK WASHER	2	3/8"	
11	H100281	PLUG	1		
12	19H1813	CAP SCREW	2	5/16" X 5/8"	
13	24H1224	WASHER	2	11/32" X 1" X 1/16"	
14	H97024	FLAP	1		
15	19H2113	CAP SCREW	1	3/4" X 3-1/4"	
	T25879	NUT	1		
16	R36402	WASHER	1		
17A	AR100278	LINK CHAIN	1	-620300	(SUB AR90583)
17B	AR90583	LINK CHAIN	1		
18	34H248	SPRING PIN	1	1/8" X 13/16"	
19	R74593	RETAINER	1	-620300	
20	R74594	SPRING	1	-620300	
21	R69406	HOOK	1	-620300	
22	R74592	LATCH	1	-620300	
23	R74591	PIN	1	-620300	
24	H103451	ANGLE	1		
25	H92725	CLEVIS	1		(ARC WELDED)
26	AH94551	BALL JOINT	1		
27	19H1900	CAP SCREW	1	5/16" X 3/4"	
	12H303	LOCK WASHER	1	5/16"	
	14H785	NUT	1	5/16"	
28	AH121103	HITCH	1		

1C14

POWER TRAIN

POWERSHAFT BEARING SUPPORT AND RELATED PARTS
(SERIAL NO. -610600)

HP2495 -UN-01JAN94



HP2495

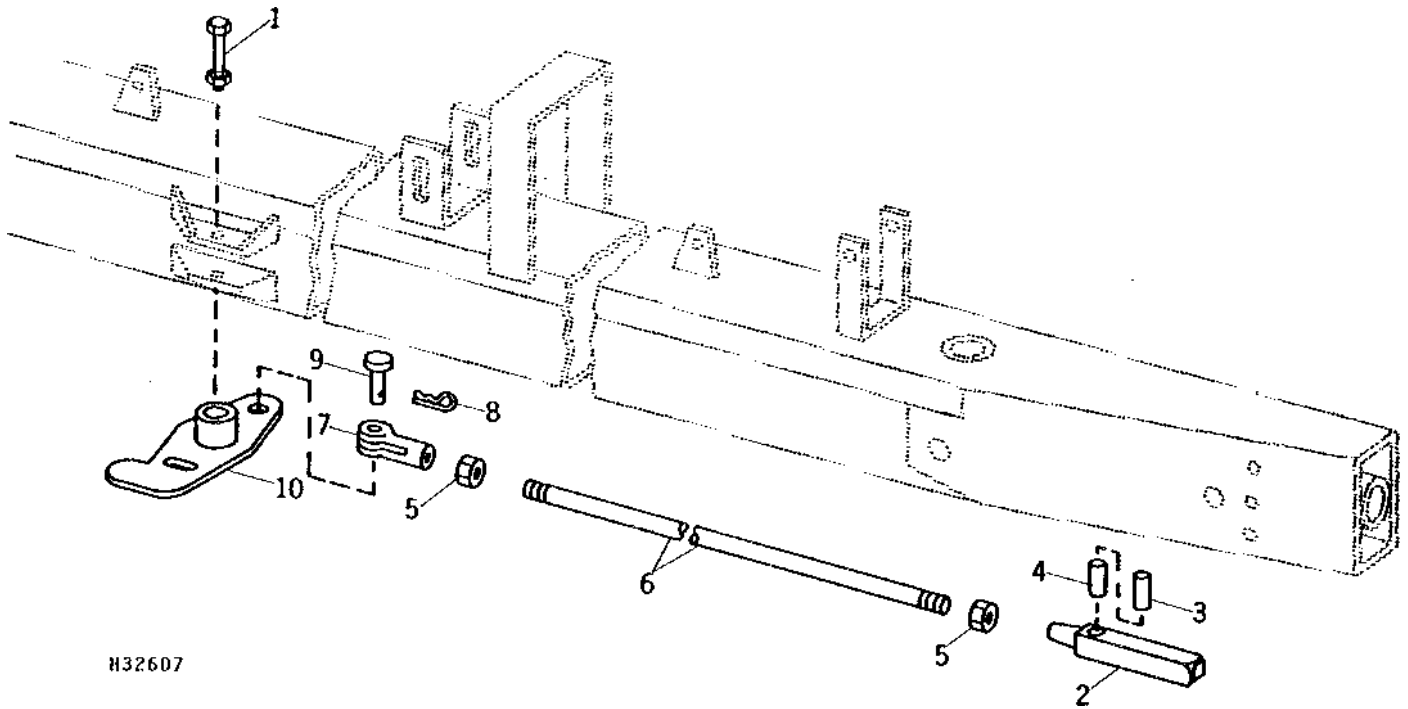
KEY	PART NO.	PART NAME	QTY	SERIAL NO.	REMARKS
1	19H1815	CAP SCREW	4	1/2" X 1-1/4"	
	12H301	LOCK WASHER	4	1/2"	
	14H809	NUT	4	1/2"	
2	N166516	PRESSED FLANGED HOUSING	2		
3	JD9305	BALL BEARING	1		
4	H125994	BRACKET	1	FRONT	
5	19H1732	CAP SCREW	6	3/8" X 1-1/4"	
	12H304	LOCK WASHER	6	3/8"	
	14H812	NUT	6	3/8"	
6	24H1305	WASHER	12	13/32" X 13/16" X 0.065"	
7	22H979	SET SCREW	1	3/8" X 3/8"	
8	JD8579	ECCENTRIC LOCKING COLLAR	1		
9	19H1801	CAP SCREW	2	3/8" X 2"	
	H95174	LOCK NUT	2		
10	H125860	ISOLATOR	2		
11	24H1176	WASHER	2	13/32" X 1-1/4" X 0.100"	
12	AH121189	PACKAGE OF PARTS	1		

1C15

POWER TRAIN

H32607 -UN-01JAN94

HITCH TUBE LOCKING MECHANISM



H32607

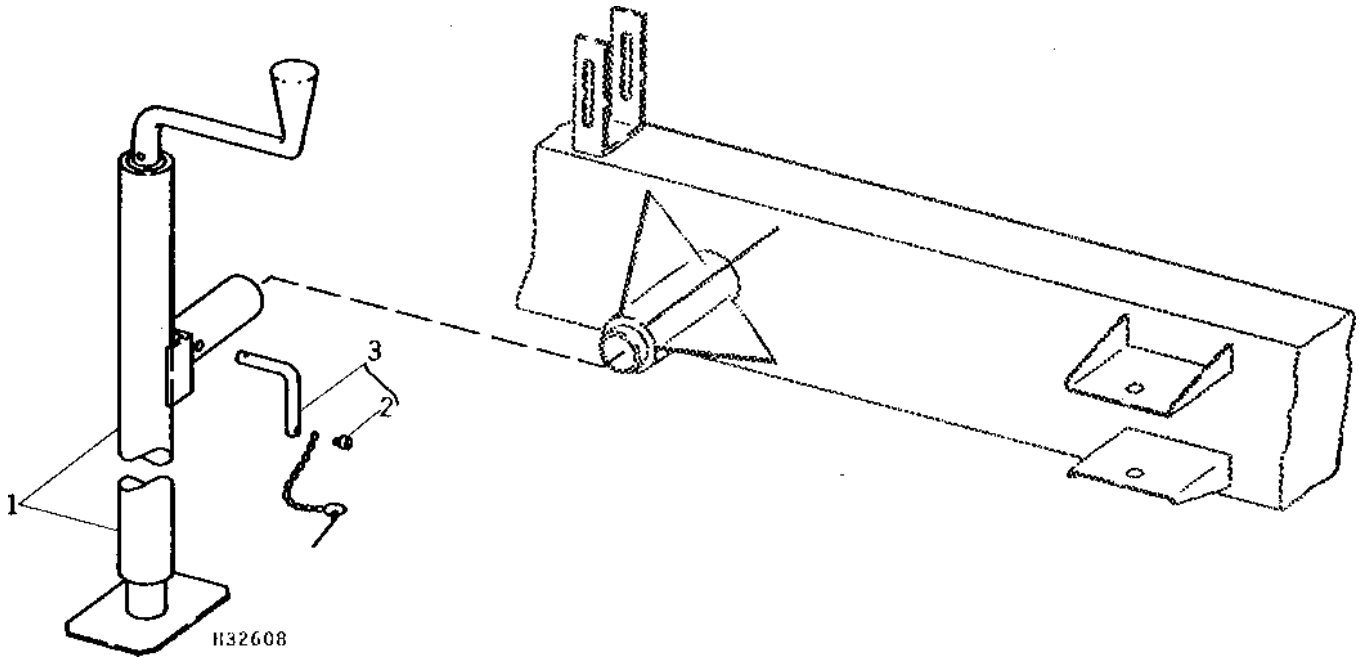
KEY	PART NO.	PART NAME	QTY	SERIAL NO.	REMARKS
1	19H1868	CAP SCREW	1		
	BP12214	LOCK NUT	1		
2	H97335	PIN	1		
3	34H375	SPRING PIN	1		1/2" X 3"
4	34H341	SPRING PIN	1		5/16" X 3"
5	14H856	NUT	2		1/2"
6	H97336	STUD	1		
7	1C3621H	YOKE	1	-562900	(SUB T21158)
	T21158	YOKE	1		
8	11H236	COTTER PIN	1		1/8" X 1"
9	H24979	PIN	1		
10	AH92274	LEVER	1		

1C16

POWER TRAIN

H32608 -UN-01JAN94

HITCH BEAM JACK STAND



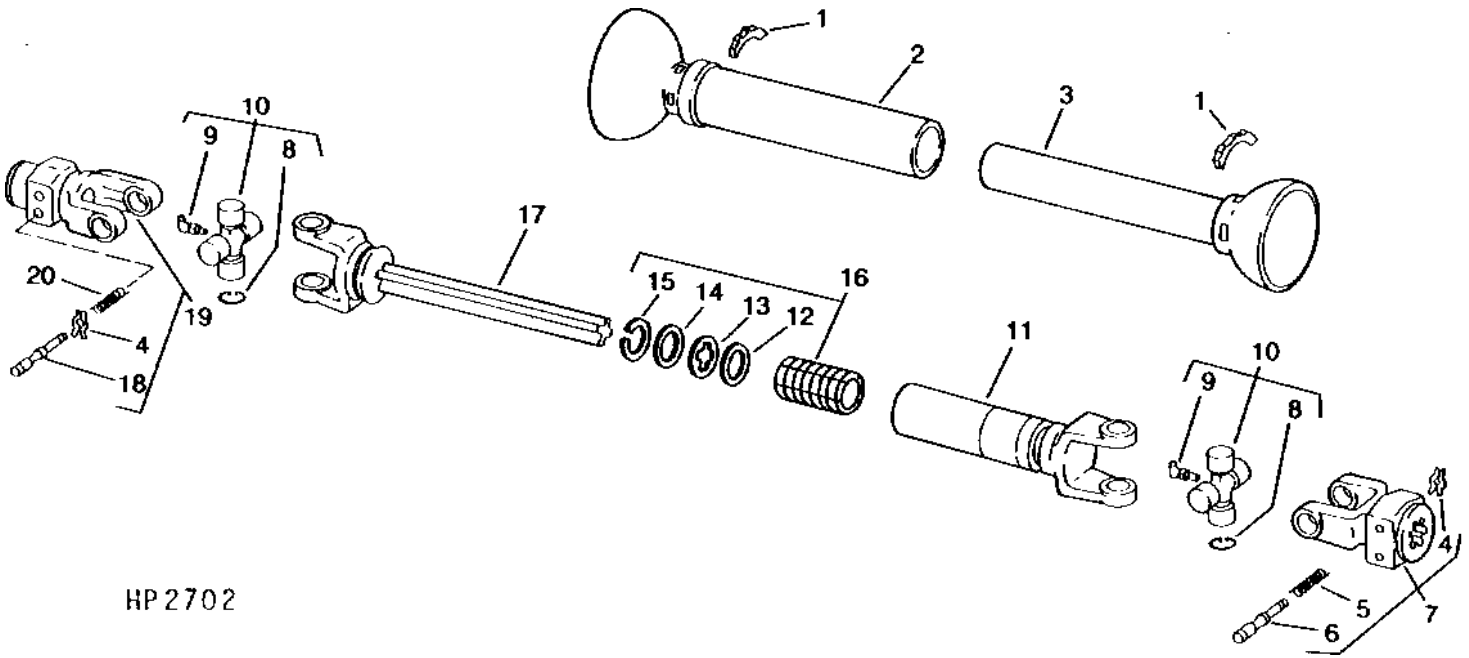
KEY	PART NO.	PART NAME	QTY	SERIAL NO.	REMARKS
1	AH93619	JACK	1		
2	37H92	SCREW	1	NO. 12 X 1/2"	
3	AH93745	PIN	1		

1C17

POWER TRAIN

HP2702 -UN-01JAN94

TELESCOPING POWERSHAFT AND SHIELD



HP2702

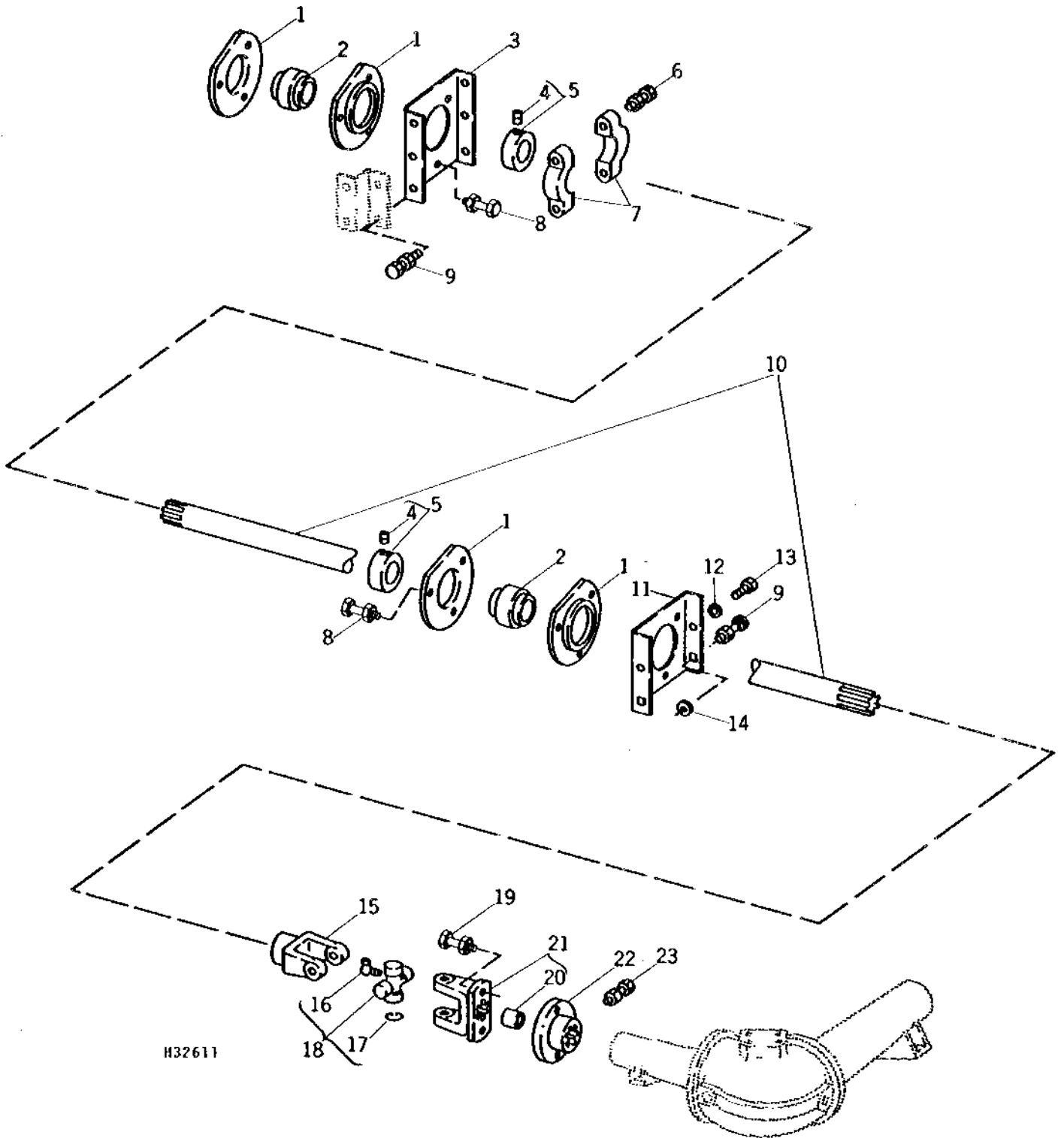
KEY	PART NO.	PART NAME	QTY	SERIAL NO.	REMARKS
1	E52205	UNIVERSAL JOINT BEARING	8		
2	AH93782	POWERSHAFT SHIELD	1		OUTER
3	AH93781	SHIELD	1		INNER
4	Z9785H	WASHER	4		(A)
5	H95874	SPRING	2		(A)
6	H94999	U-JOINT LOCK PIN	2		(A)
7	AH93917	UNIVERSAL JOINT YOKE	1		(ON COMBINE)
8	E50613	SNAP RING	2		
9	JD7760	LUBRICATION FITTING	2		65°, 1/8"
10	AE30034	CROSS AND BEARING ASSEMBLY	2		
11	AH93631	YOKE, WITH TUBE	1		
12	CAP	1		(SUB AE34929)
13	SEAL	1		(SUB AE34929)
14	WASHER	1		(SUB AE34929)
15	O-RING	1		(SUB AE34929)
16	AE34929	KIT	1		
17	AH93632	YOKE, WITH SHAFT	1		
18	H100334	U-JOINT LOCK PIN	2		
19	AH95523	UNIVERSAL JOINT YOKE	1		(ON TRACTOR) (4430, 4440, 4520, 4630, AND 5020 TRACTORS)
	AH93918	UNIVERSAL JOINT YOKE	1		(A) (ON TRACTOR) (4640, 4840, 6030, 8430, AND 8630 TRACTORS) (CONSISTS OF ALL PARTS MARKED WITH AN (A))
20	H22802	COMPRESSION SPRING	2		

1C18

H32611

-UN-01JAN94

MAIN POWERSHAFT
(SERIAL NO. -610600)



H32611

1C19

POWER TRAIN

MAIN POWERSHAFT - CONTINUED
(SERIAL NO. -610600)

KEY	PART NO.	PART NAME	QTY	SERIAL NO.	REMARKS
1	H94995	PRESSED FLANGED HOUSING	6		
2	JD9305	BALL BEARING	3		
3	H94993	BRACKET	1		
4	22H979	SET SCREW	3		3/8" X 3/8"
5	JD8579	ECCENTRIC LOCKING COLLAR	3		
6	19H1974	CAP SCREW	2		1/2" X 2-3/4"
	12H301	LOCK WASHER	2		1/2"
	14H809	NUT	2		1/2"
7	H94998	CLAMP	2		
8	19H1731	CAP SCREW	9		3/8" X 1"
	12H304	LOCK WASHER	9		3/8"
	14H812	NUT	9		3/8"
9	19H1732	CAP SCREW	8		3/8" X 1-1/4"
	12H304	LOCK WASHER	8		3/8"
	14H812	NUT	8		3/8"
10	H94996	SHAFT	1		
11	H94994	BRACKET	2		
12	24H1176	WASHER	4		13/32" X 1-1/4" X 0.100"
13	H88188	SCREW	4		
	12H304	LOCK WASHER	4		3/8"
14	24H1682	WASHER	4		13/32" X 7/8" X 0.120"
15	H94997	UNIVERSAL JOINT YOKE	1		
16	JD7760	LUBRICATION FITTING	1		65°, 1/8"
17	E50613	SNAP RING	1		
18	AE30034	CROSS AND BEARING ASSEMBLY	1		
19	19H3131	CAP SCREW	2		5/16" X 2"
	M40699	NUT	2		
20	R27899	BUSHING	1		
21	AH93141	UNIVERSAL JOINT YOKE	1		
22	H95100	HUB	1		
23	19H1912	CAP SCREW	1		3/8" X 3-1/2"
	H95174	LOCK NUT	1		

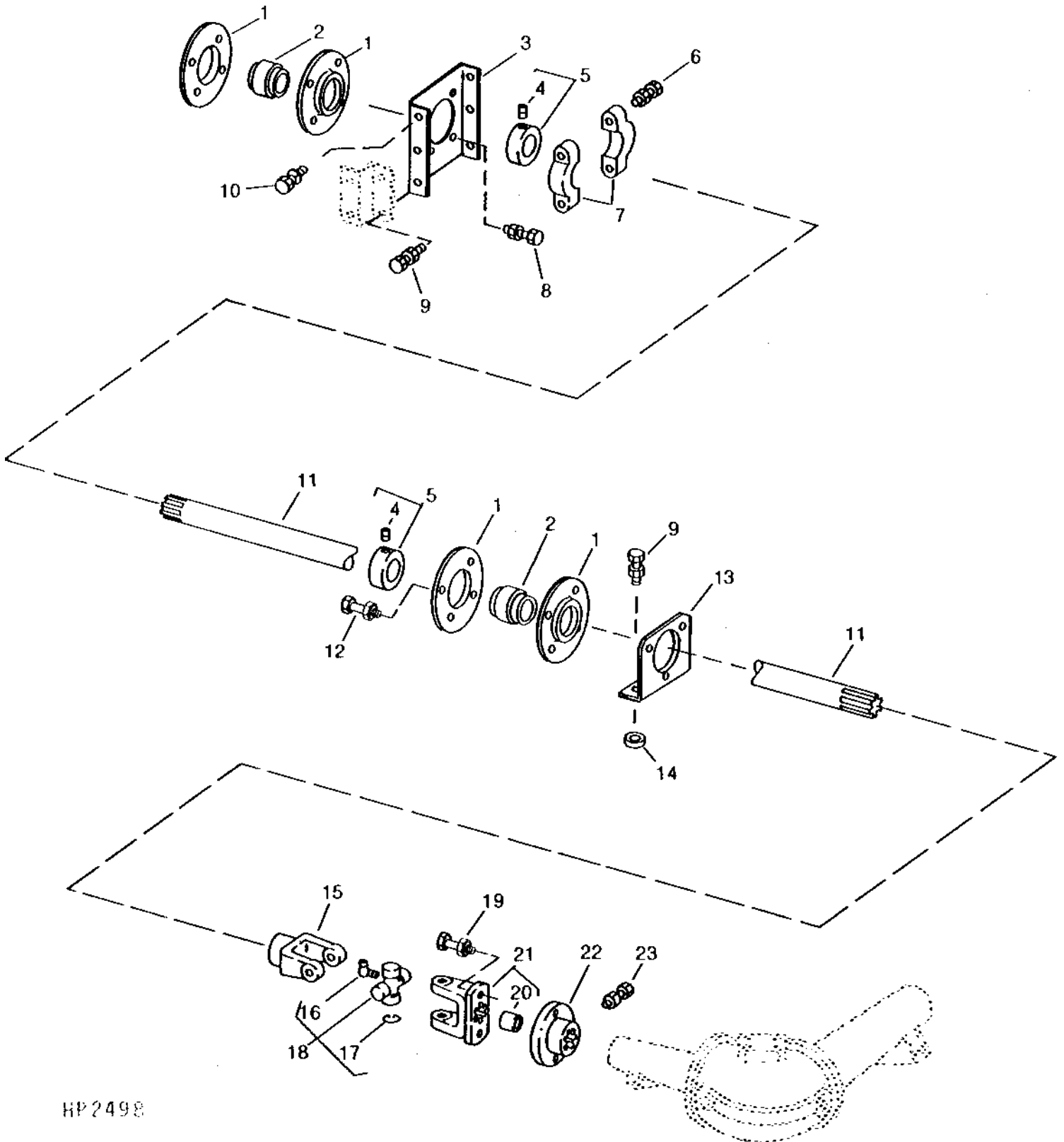
1C20

POWER TRAIN

HP2498

-UN-01JAN94

MAIN POWERSHAFT
(SERIAL NO. 610601-)



HP2498

1C21

POWER TRAIN

MAIN POWERSHAFT - CONTINUED
(SERIAL NO. 610601-)

KEY	PART NO.	PART NAME	QTY	SERIAL NO.	REMARKS
1	N166516	PRESSED FLANGED HOUSING	2		
2	JD9305	BALL BEARING	4		
3	H125994	BRACKET	1		
4	22H979	SET SCREW	4	3/8" X 3/8"	
5	JD8579	ECCENTRIC LOCKING COLLAR	4		
6	19H1974	CAP SCREW	2	1/2" X 2-3/4"	
	12H301	LOCK WASHER	2	1/2"	
	14H809	NUT	2	1/2"	
7	H94998	CLAMP	2		
8	19H1815	CAP SCREW	4	1/2" X 1-1/4"	
	12H301	LOCK WASHER	4	1/2"	
	14H809	NUT	4	1/2"	
9	19H1732	CAP SCREW	10	3/8" X 1-1/4"	
	12H304	LOCK WASHER	10	3/8"	
	14H812	NUT	10	3/8"	
10	19H1731	CAP SCREW	2	3/8" X 1"	
	12H304	LOCK WASHER	2	3/8"	
11	H94996	SHAFT	1		
12	19H1731	CAP SCREW	9	3/8" X 1"	
	12H304	LOCK WASHER	9	3/8"	
	14H785	NUT	9	5/16"	
13	H125861	BRACKET	3		
14	24H1305	WASHER	6	13/32" X 13/16" X 0.065"	
15	H94997	UNIVERSAL JOINT YOKE	1		
16	JD7760	LUBRICATION FITTING	1	65°, 1/8"	
17	E50613	SNAP RING	1		
18	AE30034	CROSS AND BEARING ASSEMBLY	1		
19	19H3131	CAP SCREW	2		
	M40699	NUT	2		
20	R27899	BUSHING	1		
21	AH93141	UNIVERSAL JOINT YOKE	1		
22	H95100	HUB	1		
23	19H1912	CAP SCREW	1	3/8" X 3-1/2"	
	H95174	LOCK NUT	1		

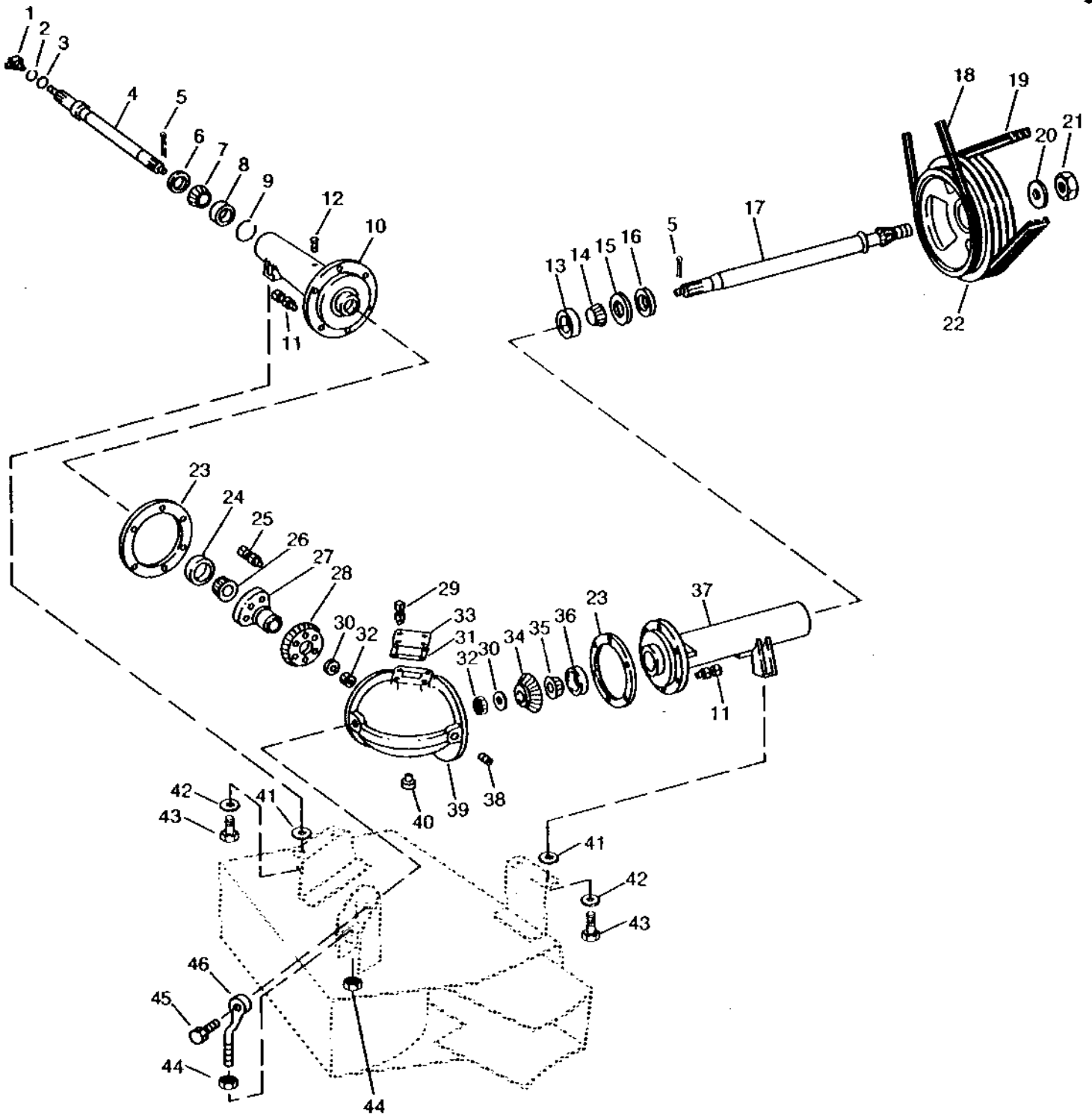
1C22

POWER TRAIN

HP708

-UN-01JAN94

GEAR CASE WITH GEARS AND SHAFTS



HP708

GEAR CASE WITH GEARS AND SHAFTS - CONTINUED

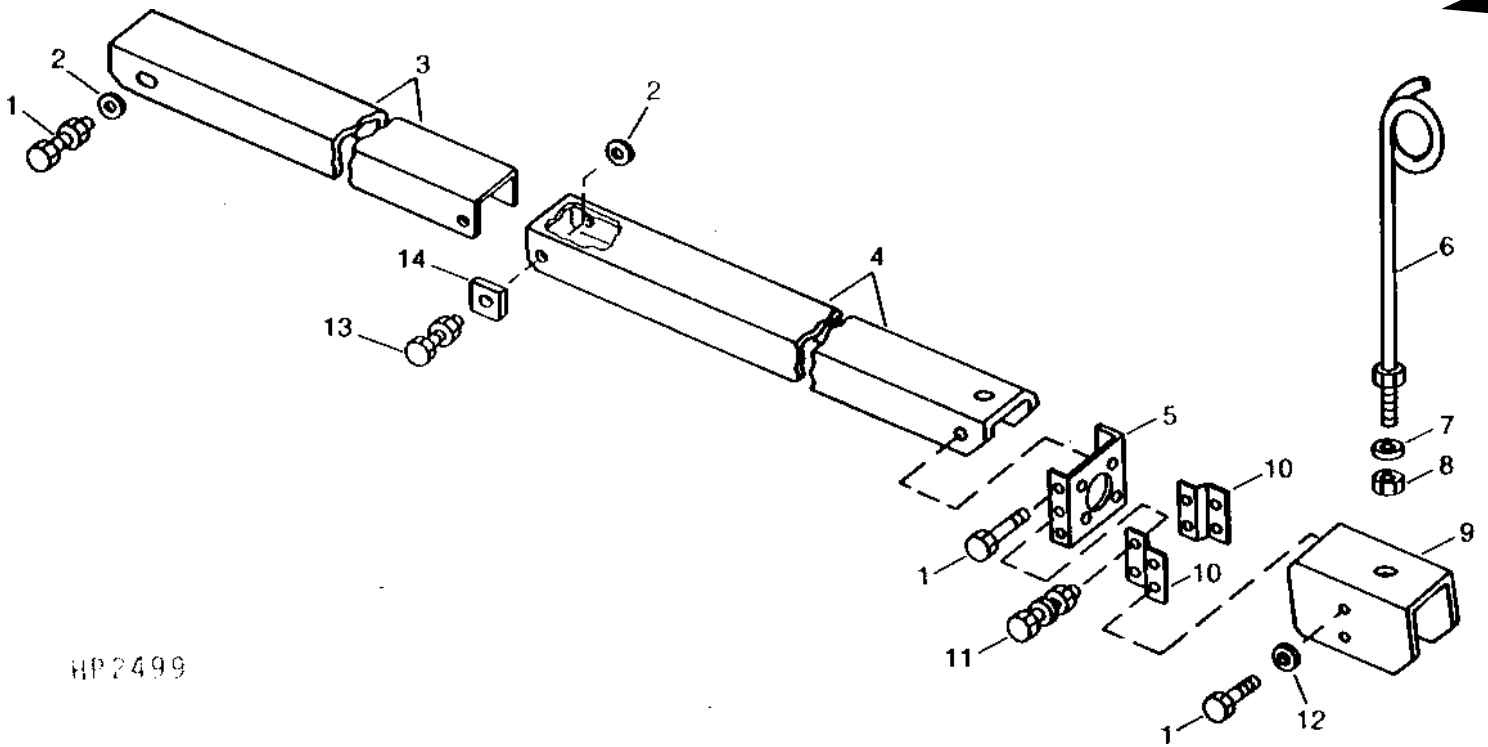
KEY	PART NO.	PART NAME	QTY	SERIAL NO.	REMARKS
1	JD7760	LUBRICATION FITTING	1		65°, 1/8"
2	M40808	SNAP RING	1	-625300	(SUB W23122)
	W23122	SNAP RING	1		
3	P37172	WASHER	1		
4	H95094	SHAFT	1		INPUT
5	11H218	COTTER PIN	2		3/16" X 1-1/2"
6	AH92957	SEAL	1		
7	JD8922	BEARING CONE	1		
8	JD8247	BEARING CUP	1		
9	H75509	SNAP RING	1		
10	H94092	HOUSING	1		
11	19H1732	CAP SCREW	12		3/8" X 1-1/4"
	12H304	LOCK WASHER	12		3/8"
12	U14273	BREATHER	1		
13	JD9124	BEARING CUP	1		
14	JD9062	BEARING CONE	1		
15	R36423	SEAL	1		
16	H93894	LOCKING COLLAR	1		
17	H95095	SHAFT	1		OUTPUT
18	H23950	BELT	1		UNLOADING AUGER COUNTERSHAFT
19	H94508	BELT	1		DRIVE, PRIMARY COUNTERSHAFT
20	24H1668	WASHER	1		1-17/64" X 2-1/4" X 0.134"
21	H82620	LOCK NUT	1		
22	H93876	SHEAVE	1		MULTI-GROOVE
23	H93890	SHIM	AR		.003" (PLASTIC)
	H93891	SHIM	AR		.005" (STEEL)
	H93892	SHIM	AR		.010" (STEEL)
	H93893	SHIM	AR		.020" (STEEL)
24	JD8240	BEARING CUP	1		
25	19H3217	CAP SCREW	1		3/8" X 1-3/4"
	H95174	LOCK NUT	1		
26	JD9014	BEARING	1		
27	HUB	1		(SERVICED IN AH93991)
28	BEVEL GEAR	1		39 TEETH, (SERVICED IN AH93991)
29	19H2020	CAP SCREW	4		5/16" X 1/2"
	12H303	LOCK WASHER	4		5/16"
30	H95120	WASHER	2		
31	GASKET	1		(SUB PT94)
32	L2282N	NUT	2		
33	H75267	COVER	1		
34	BEVEL GEAR	1		26 TEETH, (SERVICED IN AH93991)
35	JD8965	BEARING CONE	1		
36	JD8255	BEARING CUP	1		
37	H92432	HOUSING	1		BEARING, OUTPUT
38	15H584	PIPE PLUG	1		1/2"
39	H91771	GEAR CASE	1		
40	AN31004	PIPE PLUG	1		
41	24H1338	WASHER	AR		33/64" X 7/8" X 0.048"
42	24H1111	WASHER	4		17/32" X 1-1/16" X 0.090"
43	19H1831	CAP SCREW	4		1/2" X 2"
	12H301	LOCK WASHER	4		1/2"
	14H1040	NUT	4		1/2"
44	14H1040	NUT	2		1/2"
45	19H1721	CAP SCREW	1		1/2" X 1-1/2"
	12H301	LOCK WASHER	1		1/2"
46	H75371	EYEBOLT	1		
..	AH93991	GEAR	1		BEVEL (MATCHED SET, WITH HUB)
..	AT26340	SEALANT	1	-414100	(SUB T43514) (2 OZ.)
..	PT94	SEALANT	1	-513100	(3 OZ. TUBE) (SUB TY15130)
..	TY15130	SEALANT	1		

1C24

POWER TRAIN

POWERSHAFT AND FRONT UNIVERSAL JOINT SHIELDS AND HYDRAULIC HOSE SUPPORT

HP2499 -UN-01JAN94



HP2499

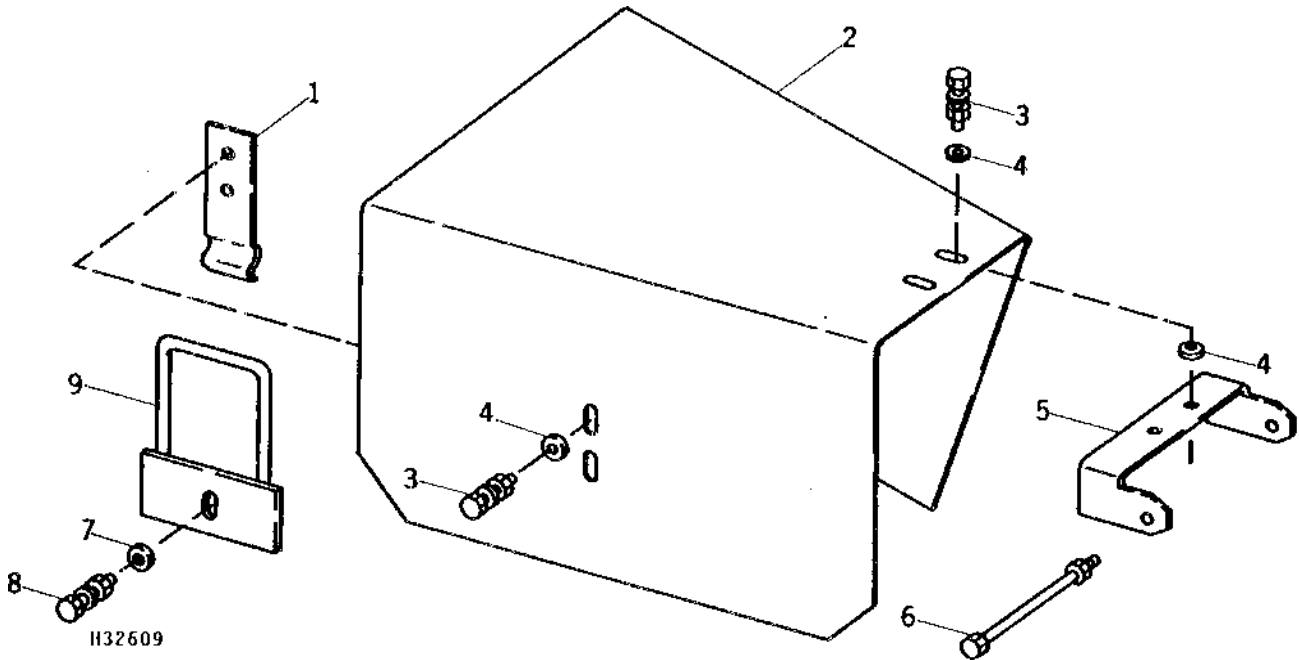
KEY	PART NO.	PART NAME	QTY	SERIAL NO.	REMARKS
1	19H1731	CAP SCREW	10	-610600	3/8" X 1"
	12H304	LOCK WASHER	10	-610600	3/8"
	14H812	NUT	2	-610600	3/8"
	19H1731	CAP SCREW	8	610601-	3/8" X 1"
	12H304	LOCK WASHER	8	610601-	3/8"
	14H812	NUT	8	610601-	
2	24H1176	WASHER	6	-610600	13/32" X 1-1/4" X 0.100"
	24H1176	WASHER	4	610601-	13/32" X 1-1/4" X 0.100"
3	H94992	SHIELD	1	-610600	REAR, POWERSHAFT
	H125867	SHIELD	1	610601-	REAR, POWERSHAFT
4	AH93915	SHIELD	1	-610600	POWERSHAFT
	AH121060	SHIELD	1	610601-	POWERSHAFT
5	H94993	BRACKET	1		
6	H92751	HOSE SUPPORT	1		
7	24H1347	WASHER	1		17/32" X 2" X 0.194"
8	14H1040	NUT	1		1/2"
	12H301	LOCK WASHER	1		1/2"
9	H94990	SHIELD	1		FRONT
10	AH93304	BRACKET	2		
11	19H1732	CAP SCREW	4		3/8" X 1-1/4"
	12H304	LOCK WASHER	4		3/8"
	14H812	NUT	4		3/8"
12	24H1305	WASHER	4		13/32" X 13/16" X 0.065"
	19H1801	CAP SCREW	2	610601-	3/8" X 2"
13	H95174	LOCK NUT	2	610601-	
	H125860	ISOLATOR	2	610601-	

1C25

POWER TRAIN

H32609 -UN-01JAN94

REAR UNIVERSAL JOINT SHIELD

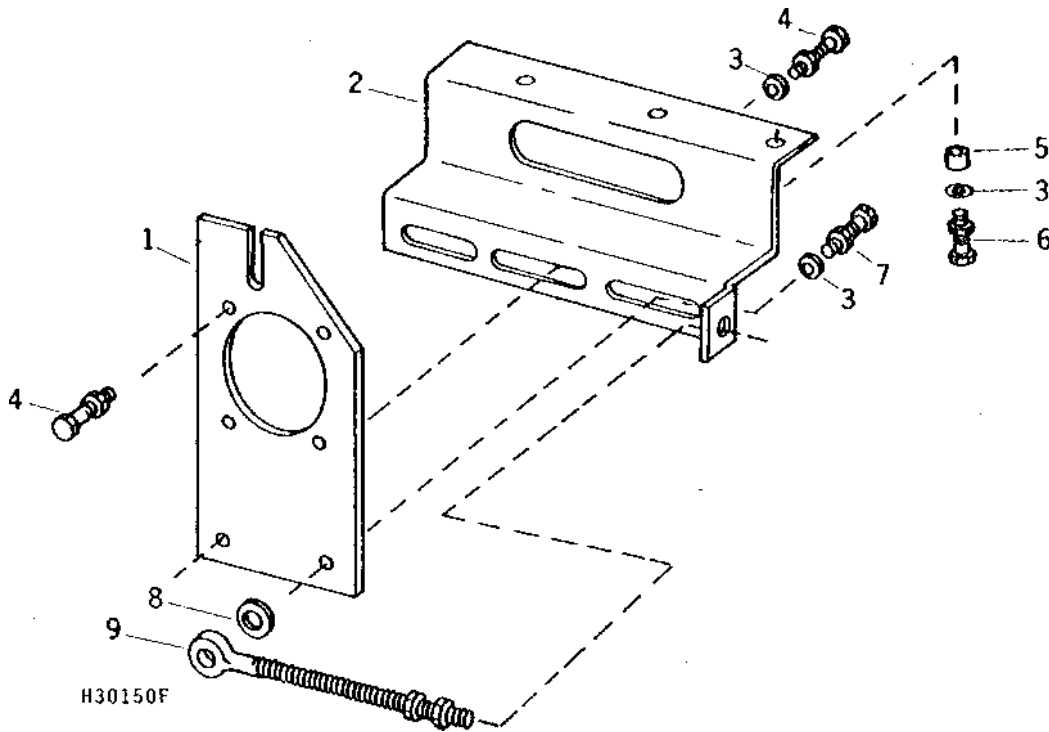


KEY	PART NO.	PART NAME	QTY	SERIAL NO.	REMARKS
1	H78884	LATCH	2		
2	H94388	SHIELD	1		
3	19H1900	CAP SCREW	6	5/16" X 3/4"	
	12H303	LOCK WASHER	6	5/16"	
	14H785	NUT	6	5/16"	
4	24H1136	WASHER	8	11/32" X 11/16" X 0.065"	
5	H94389	BRACKET	1		
6	19H2342	CAP SCREW	1	5/16" X 4-1/2"	
	M40699	NUT	1		
7	24H1682	WASHER	2	13/32" X 7/8" X 0.120"	
8	19H1731	CAP SCREW	2	3/8" X 1"	
	12H304	LOCK WASHER	2	3/8"	
	14H812	NUT	2	3/8"	
9	AH94480	LATCH	2		

1D1

H30150F -UN-01JAN94

BELT PICKUP HYDRAULIC PUMP MOUNTING



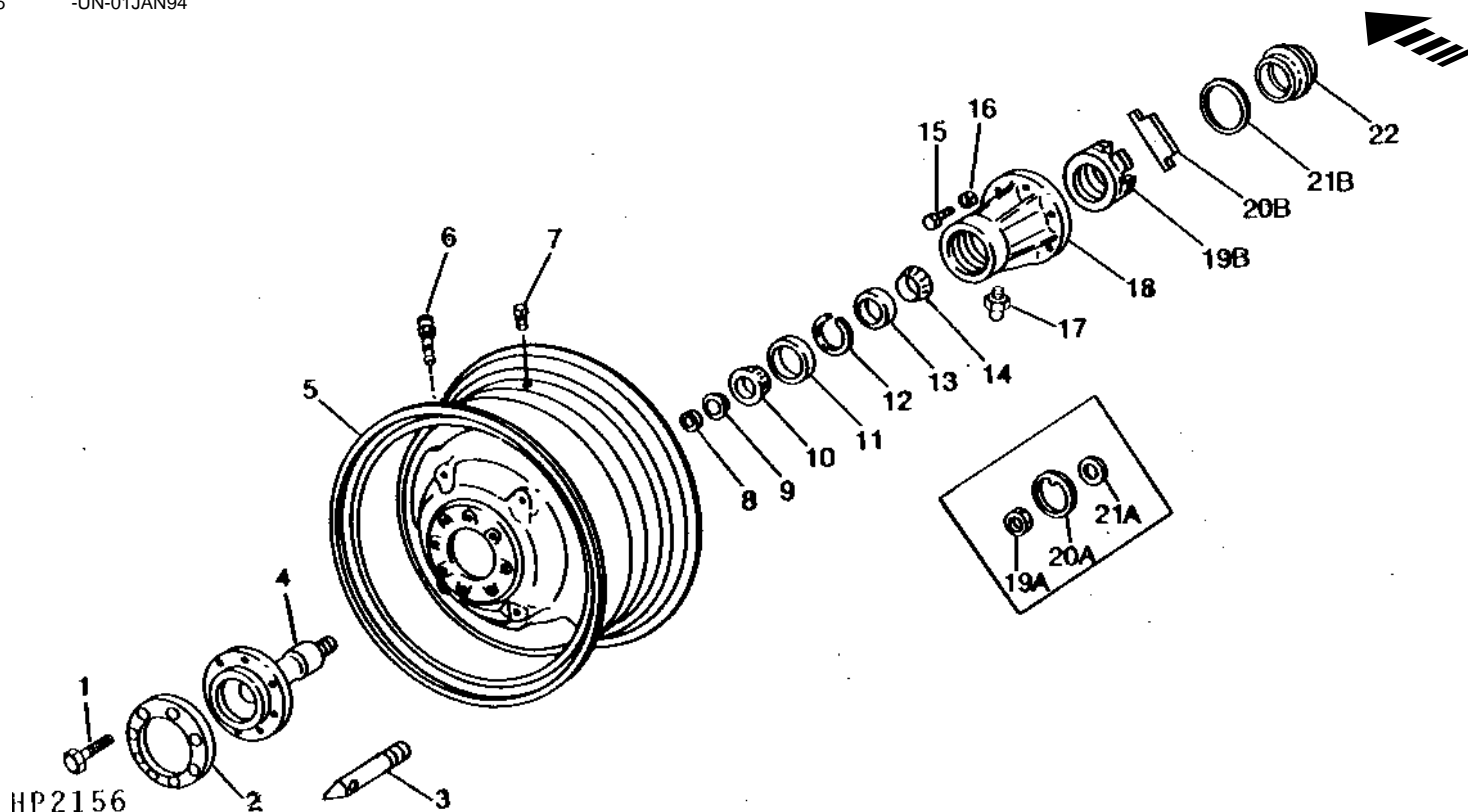
KEY	PART NO.	PART NAME	QTY	SERIAL NO.	REMARKS
1	H101353	PLATE	1		
2	H93218	SUPPORT	1		
3	24H1682	WASHER	5		13/32" X 7/8" X 0.120"
4	19H1732	CAP SCREW	3		3/8" X 1-1/4"
	12H304	LOCK WASHER	3		3/8"
	14H812	NUT	3		3/8"
5	H20042	BUSHING	2		
6	19H1765	CAP SCREW	3		3/8" X 1-3/4"
	12H304	LOCK WASHER	3		3/8"
	14H812	NUT	3		3/8"
7	19H1800	CAP SCREW	1		3/8" X 1-1/2"
	12H304	LOCK WASHER	1		3/8"
	14H812	NUT	1		3/8"
8	24H1305	WASHER	1		13/32" X 13/16" X 0.065"
9	J15524	EYEBOLT	1		
	14H812	NUT	2		3/8"

1D2

POWER TRAIN

HP2156 -UN-01JAN94

WHEEL, SPINDLE, AND HOUSING



KEY	PART NO.	PART NAME	QTY	SERIAL NO.	REMARKS
1	H86160	SCREW	8	-562900	(SUB H86161, THIS APPLICATION)
	H86161	BOLT	8		
2	H86165	RING	1		(USE WITH AH103735)
3	T44325	STUD	1	513351-	(WHEEL MOUNTING)
4	H94800	SPINDLE	1	-414100	(SUB H103537, H103538, P48703 AND H93681)
	H103537	SPINDLE	1		
5	AH85283	WHEEL	1	-464067	(SUB AH108502)
	AH108502	WHEEL	1	-562913	(SUB AH103735 AND H86165)
	AH103735	WHEEL	1		
6	AT25226	TIRE VALVE STEM	1		
7	AH86866	PLUG	1		
8	AH93852	SEAL	1		
9	R59074	OIL CUP	1		
10	JD9018	BEARING CONE	1		
11	JD8248	BEARING CUP	1		
12	C565R	SNAP RING	1		
13	JD8296	BEARING CUP	1		
14	JD7378	BEARING CONE	1		
15	19H3280	CAP SCREW	8		3/4" X 3"
	12H236	LOCK WASHER	8		3/4"
16	14H863	NUT	7		3/4"
17	JD7798	LUBRICATION FITTING	1		
18	H94011	HOUSING	1		
19A	H76446	NUT	1	-414100	
19B	H103538	NUT	1		
20A	H83262	LOCK WASHER	1	-414100	
20B	H93681	KEY	1		
21A	H83263	LOCK WASHER	1	-414100	
21B	P48703	SNAP RING	1		
22	H76441	CAP	1		

NOTE: QUANTITIES SHOWN ARE FOR ONE UNIT. TWO UNITS USED PER MACHINE.

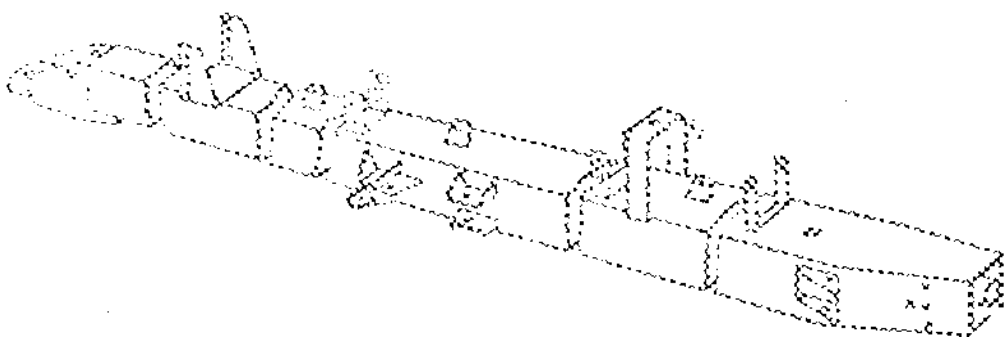
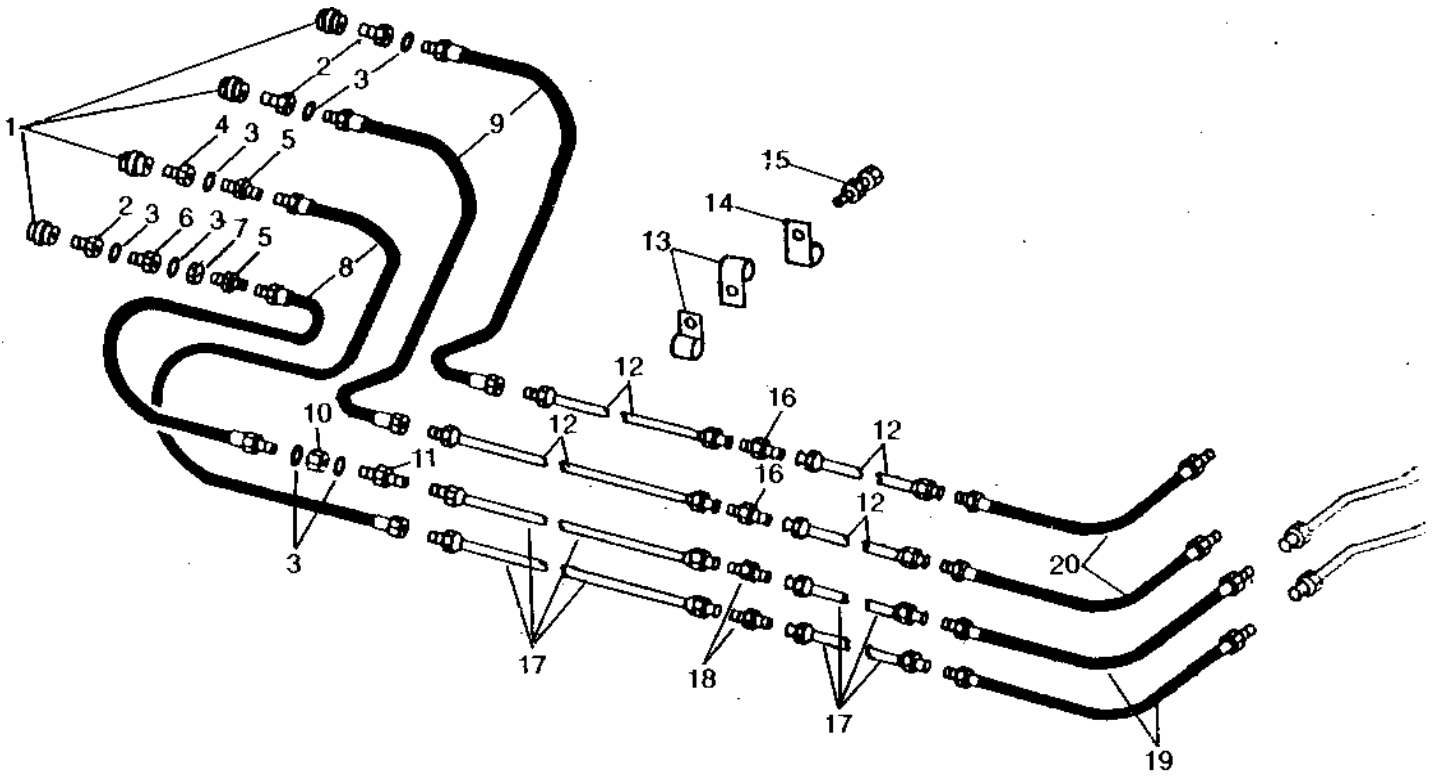
MEMORANDA

MEMORANDA

1D5

HP2219 -UN-01JAN94

HITCH BEAM HYDRAULIC LINES AND HOSES



HP2219

1D6

HYDRAULICS

HITCH BEAM HYDRAULIC LINES AND HOSES - CONTINUED

KEY	PART NO.	PART NAME	QTY	SERIAL NO.	REMARKS
1	R28006	CAP	3		DUST (WITHOUT DIAL-A-MATIC)
	A15898	CAP	3	600001-	DUST (WITH DIAL-A-MATIC)
2	AR30210	INTERNAL HALF COUPLER	2	-463600	(SUB AR93819)
	AR93819	HYD. QUICK-CONNECT COUPLER	2	-562900	(SUB AR94522)
	AR94522	INTERNAL HALF COUPLER	2		
	AR94522	INTERNAL HALF COUPLER	3	600001-	
3	R26375	O-RING	6		
	R26375	O-RING	7	600001-	
4	AR47643	BREAKAWAY COUPLER	1	-463600	(SUB AR93820)
	AR93820	FITTING	1	-562900	(SUB AR94522)
	AR94522	INTERNAL HALF COUPLER	1		
5	E32401	CONNECTOR	2	-414100	
	T49215	ADAPTER	2	414101-	
6	H82308	ADAPTER	1		
7	H102014	ORIFICE	1	-600000	
	H117975	ORIFICE	1	600001-	
8	AH92428	HYDRAULIC HOSE	2		6 MM X 2540 MM (1/4" I.D. X 100") LONG
9	AN131127	HYDRAULIC HOSE	1		10 MM X 2720 MM (3/8" I.D. X 107") LONG, (WITHOUT DIAL-A-MATIC)
	AN131127	HYDRAULIC HOSE	2	600001-	10 MM X 2720 MM (3/8" I.D. X 107") LONG, (WITH DIAL-A-MATIC)
10	R30815	FITTING	1		
11	R36426	FITTING	1		
12	AH92423	LINE	2		UPPER (WITHOUT DIAL-A-MATIC)
	AH92423	LINE	4	600001-	UPPER (WITH DIAL-A-MATIC)
13	AH87142	CLIP	6		
14	AH76882	CLIP	3		(WITHOUT DIAL-A-MATIC)
	AH76882	CLIP	6	600001-	(WITH DIAL-A-MATIC)
15	19H1765	CAP SCREW	3		3/8" X 1-3/4", (WITHOUT DIAL-A-MATIC)
	12H304	LOCK WASHER	3		3/8", (WITHOUT DIAL-A-MATIC)
	14H812	NUT	6		3/8", (WITHOUT DIAL-A-MATIC)
	19H1765	CAP SCREW	6	600001-	3/8" X 1-3/4", (WITH DIAL-A-MATIC)
	12H304	LOCK WASHER	6	600001-	3/8", (WITH DIAL-A-MATIC)
	14H812	NUT	6	600001-	3/8", (WITH DIAL-A-MATIC)
16	R27095	FITTING	1		(WITHOUT DIAL-A-MATIC)
	R27095	FITTING	2	600001-	(WITH DIAL-A-MATIC)
17	AH92422	LINE	4		LOWER
18	H33795	UNION FITTING	2		
19	AH92425	HYDRAULIC HOSE	2		6 MM X 762 MM (1/4" I.D. X 30") LONG
20	AH92426	HYDRAULIC HOSE	1		10 MM X 762 MM (3/8" I.D. X 30") LONG, (WITHOUT DIAL-A-MATIC)
	AH98931	HYDRAULIC HOSE	2	600001-	10 MM X 864 MM(3/8" I.D. X 34") LONG, (WITH DIAL-A-MATIC)

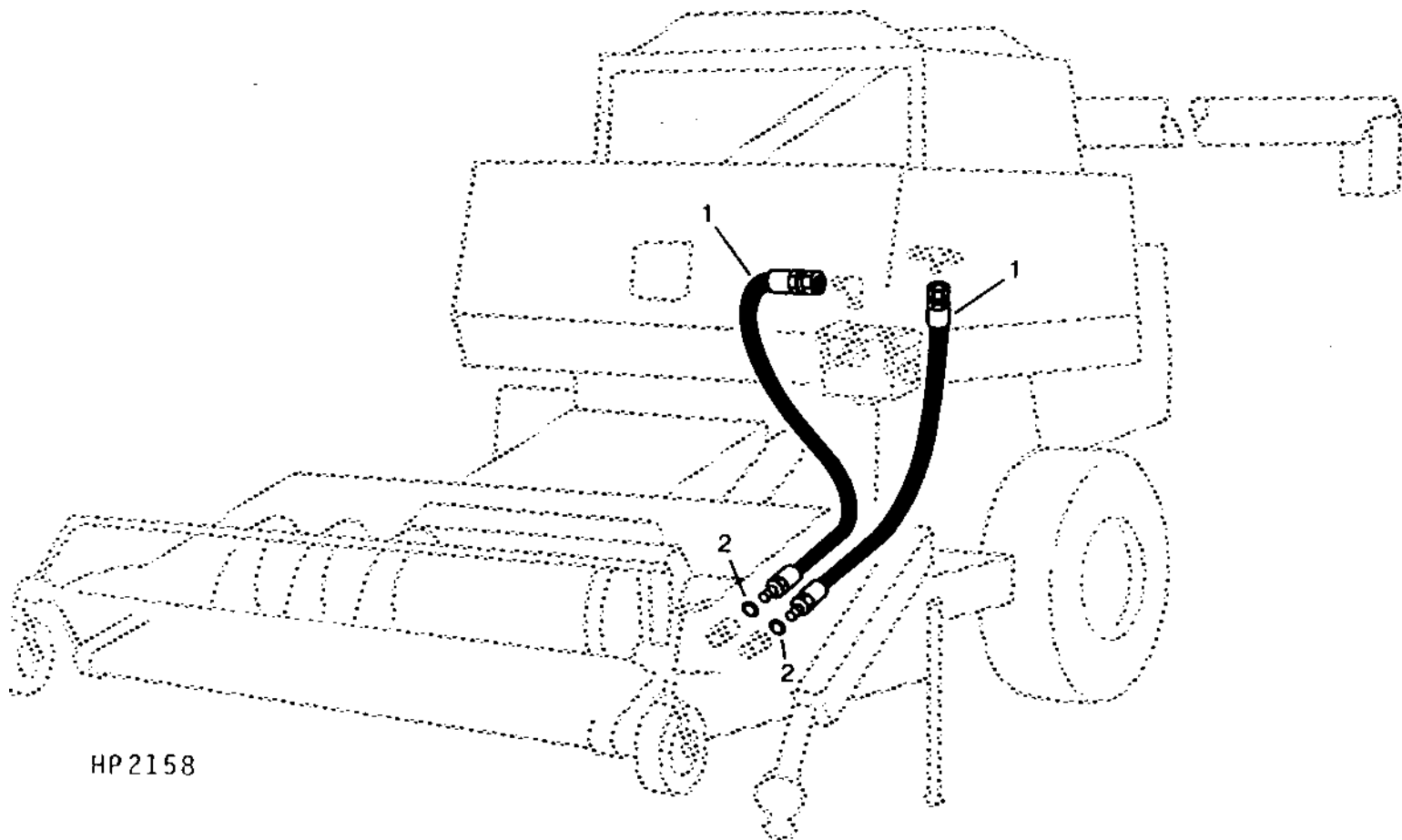
1D7

HYDRAULICS

HOSES AND COUPLERS FOR COMBINES (SERIAL NO. -600000)
(USED WITH PLATFORMS (SERIAL NO. 600001-625000))

HP2158

-UN-01JAN94



HP2158

1D8

HYDRAULICS

HOSES AND COUPLERS FOR COMBINES (SERIAL NO. -600000) - CONTINUED
USED WITH PLATFORMS (SERIAL NO. 600001-625000)

KEY	PART NO.	PART NAME	QTY	SERIAL NO.	REMARKS
1	AH112768	HYDRAULIC HOSE	2		12.7 MM X 3600 MM ((1/2" I.D. X 142") LONG, (PTO) (REEL DRIVE)
2	R26375	O-RING	2		

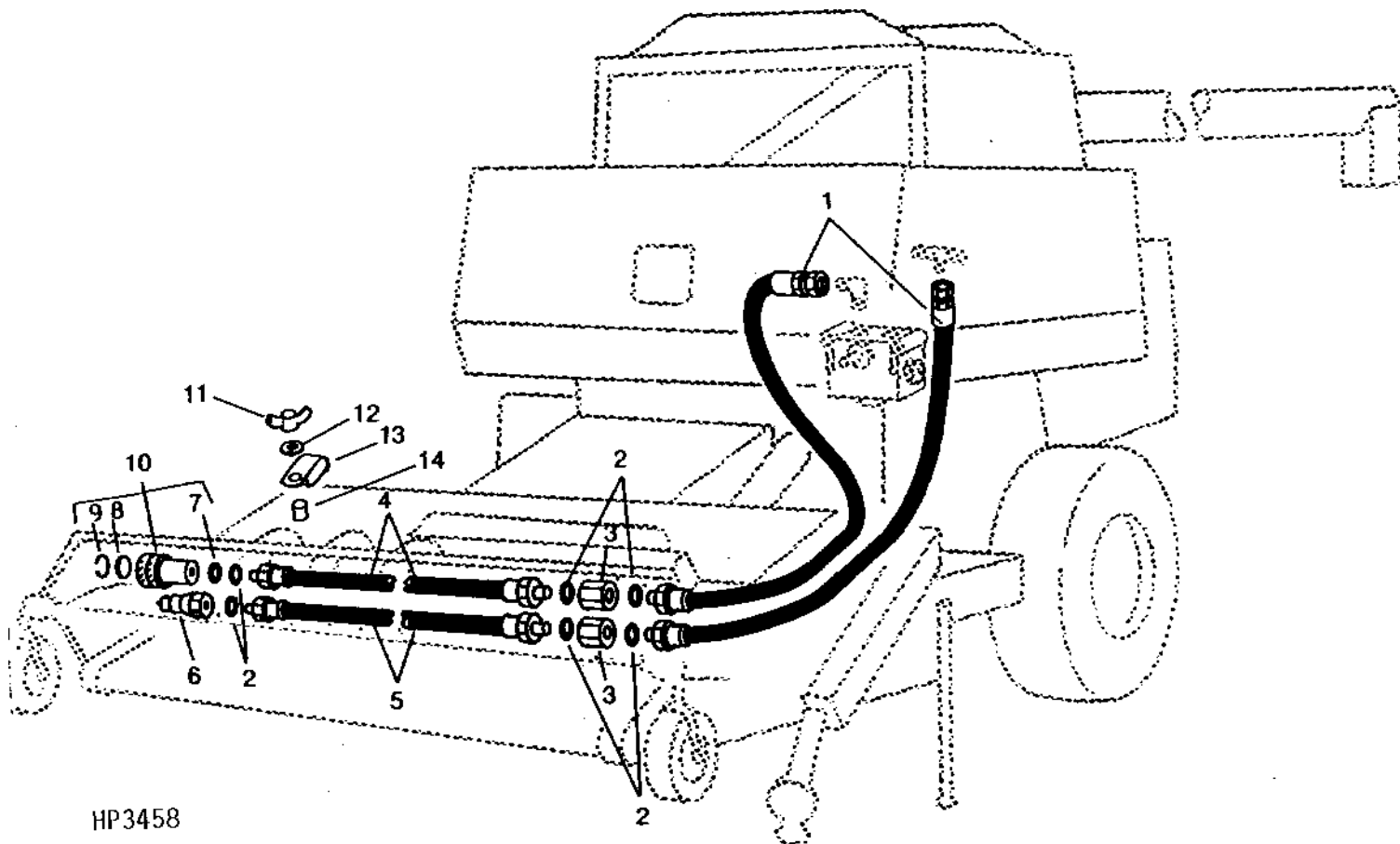
1D9

HYDRAULICS

HOSES AND COUPLERS FOR COMBINES (60001-625100)
USED WITH PLATFORMS (625001-)

HP3458

-UN-01JAN94



HP3458

1D10

HYDRAULICS

HOSES AND COUPLERS FOR COMBINES (600001-625100)
USED WITH PLATFORMS (625001-) - CONTINUED

KEY	PART NO.	PART NAME	QTY	SERIAL NO.	REMARKS
1	AH112765	HYDRAULIC HOSE	2		7/8" X 3 400 MM (133-3/4") X 3/4" (REEL DRIVE)
2	R26375	O-RING	6		
3	R30815	FITTING	2		
4	AH128373	HYDRAULIC HOSE	1		3/4" X 1 700 MM (67") X 3/4" (PRESSURE)
5	AN61174	HYDRAULIC HOSE	1		3/4" X 1 981 MM (78") X 3/4" (RETURN)
6	AR94522	INTERNAL HALF COUPLER	1		
7	P45750	O-RING	1		
8	L24517	BACK-UP RING	1		(USE WITH AEROQUIP COUPLER)
9	T12960	SNAP RING	1		(USE WITH AEROQUIP COUPLER)
10	AH75167	HYD. QUICK-CONNECT COUPLER	1		
11	14H819	WING NUT	2		5/16"
12	12H303	LOCK WASHER	2		5/16"
13	AH77869	CLIP	2		
14	28H1903	BUSHING	2		0.364" X 0.540" X 3/4"

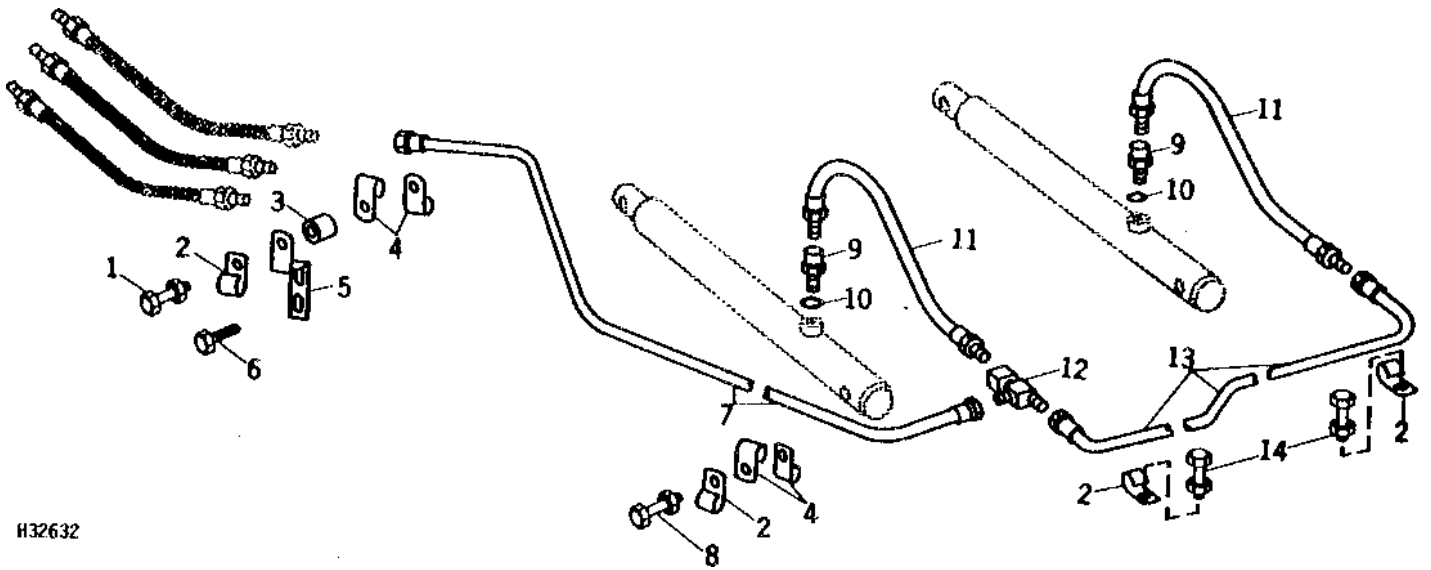
MEMORANDA

1D11

HYDRAULICS

H32632 -UN-01JAN94

HEADER LIFT OIL LINES



H32632

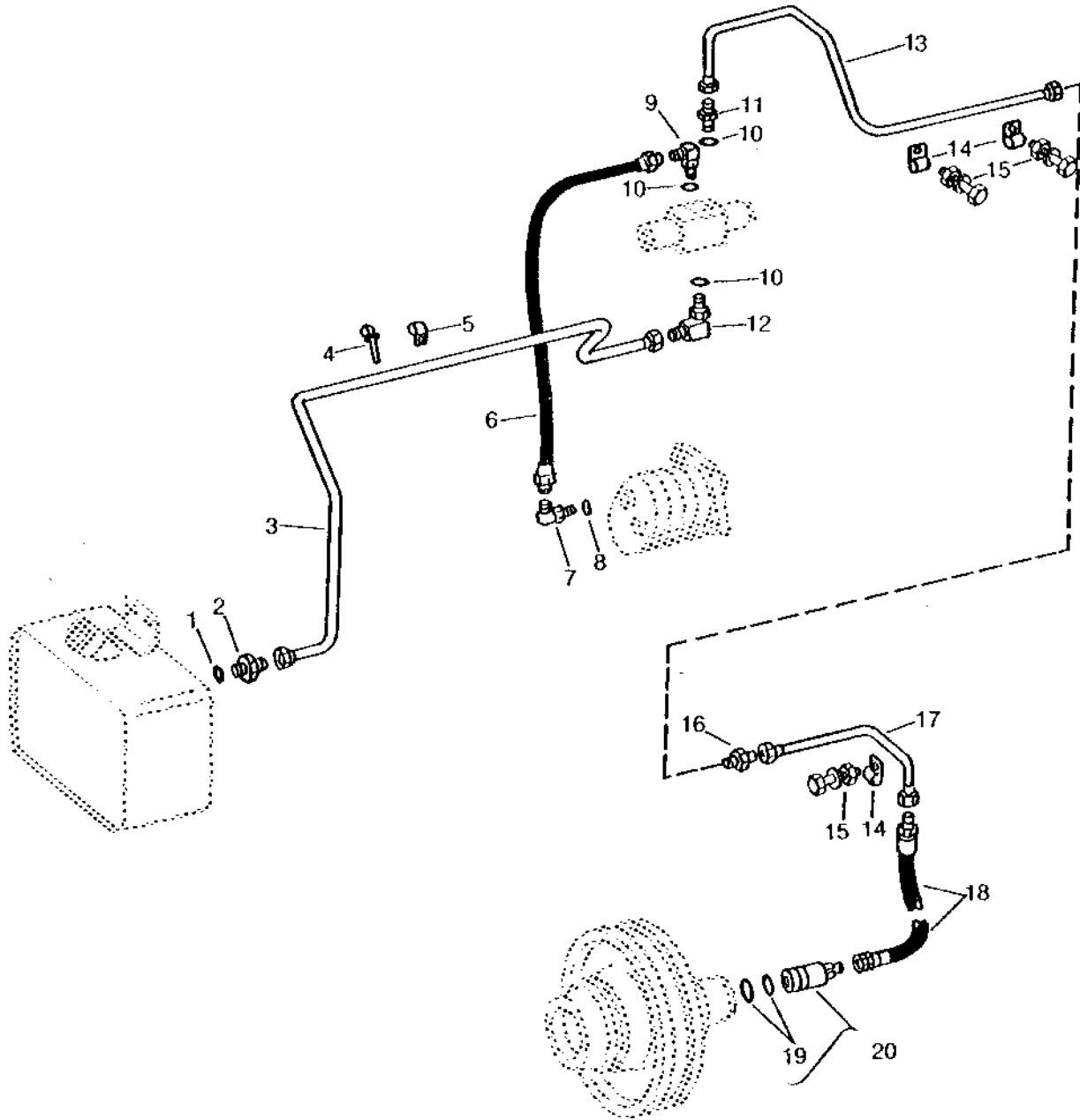
KEY	PART NO.	PART NAME	QTY	SERIAL NO.	REMARKS
1	19H1875	CAP SCREW	1		5/16" X 1-3/4"
	12H303	LOCK WASHER	1		5/16"
	14H785	NUT	1		5/16"
2	AH76882	CLIP	4		INSULATED
3	28H1883	SPACER	1		1/4" X 1/2"
4	AH87142	CLIP	4		
5	H101272	BRACKET	1		
6	H88188	SCREW	2		SELF-TAPPING
7	AH100347	LINE	1		
8	19H1849	CAP SCREW	1		5/16" X 1-1/4"
	12H303	LOCK WASHER	1		5/16"
	14H785	NUT	1		5/16"
9	R36426	FITTING	2		
10	R26375	O-RING	2		
11	AH75509	HYDRAULIC HOSE	2		
12	AH75165	TEE FITTING	1	-513350	(SUB AT36921)
	AT36921	TEE FITTING	1		
13	AH96173	TUBE	1		LOWER
14	19H1813	CAP SCREW	2		5/16" X 5/8"
	14H785	NUT	2		5/16"

1D12

HP321

-UN-01JAN94

HYDRAULIC OIL LINES AND HOSES (CYLINDER SPEED CONTROL VALVE AND SHEAVE)



HP321

1D13

HYDRAULICS

**HYDRAULIC OIL LINES AND HOSES - CONTINUED
(CYLINDER SPEED CONTROL VALVE AND SHEAVE)**

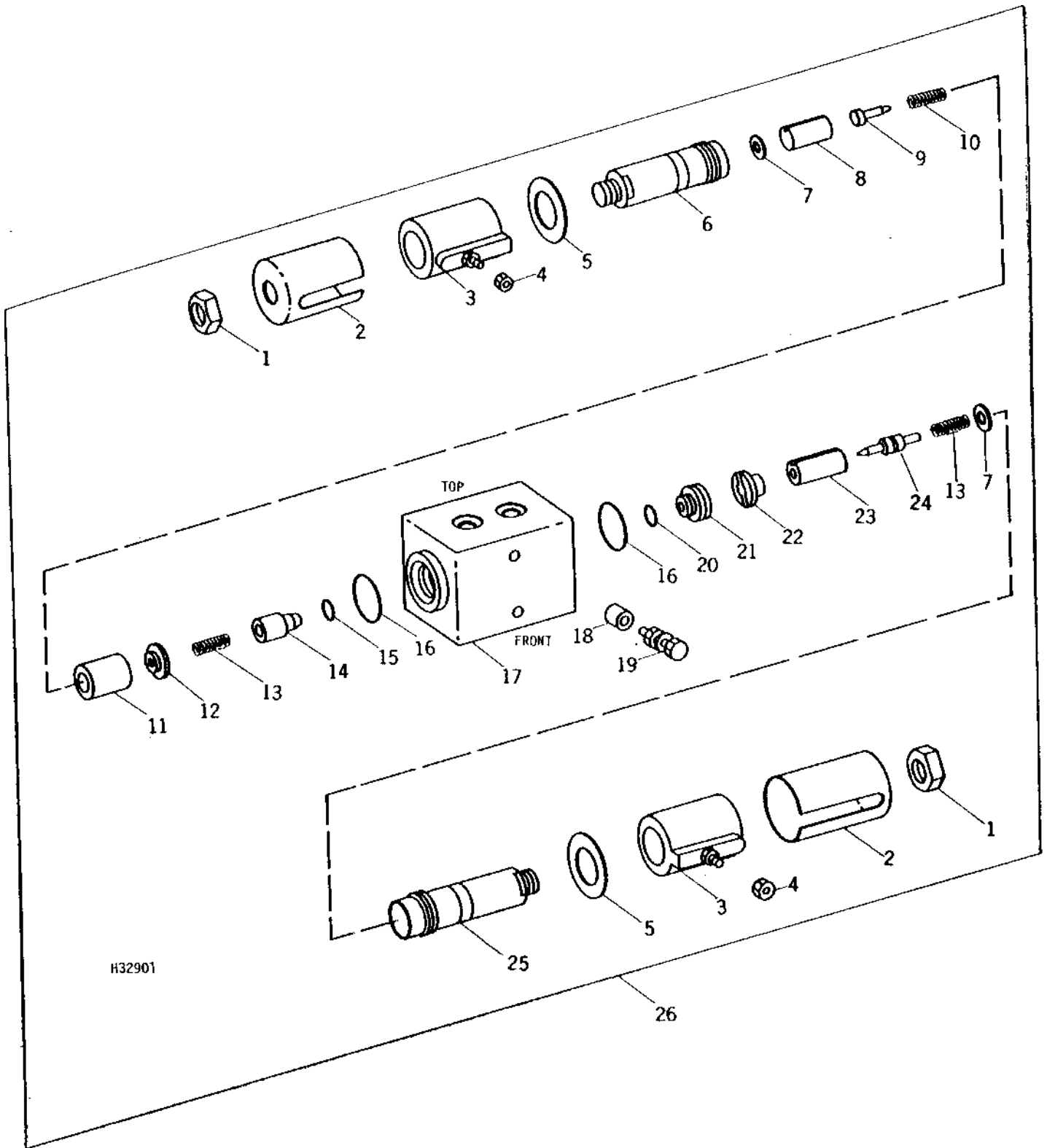
KEY	PART NO.	PART NAME	QTY	SERIAL NO.	REMARKS
1	R26375	O-RING	1		
2	R36426	FITTING	1		
3	AH100361	LINE	1		RETURN
4	M66044	TIE BAND	1		
5	AH76882	CLIP	1		
6	AH96002	HYDRAULIC HOSE	1		
7	AH63565	ELBOW FITTING	1	-600000	(SUB AH99398, THIS APPLICATION)
	AH99398	ELBOW FITTING	1		45°
8	R28782	O-RING	1		
9	AH75160	ELBOW FITTING	1		90°
10	R26448	O-RING	3		
11	H75414	ADAPTER	1		
12	AR26725	ELBOW FITTING	1	-615467	90°, (SUB AT35121)
	AT35121	ELBOW FITTING	1		
13	AH100297	LINE	1		
14	AH76671	CLIP	3		
15	21H1024	SCREW	3		1/4" X 5/8"
	12H302	LOCK WASHER	3		1/4"
	14H786	NUT	3		1/4"
16	H33795	UNION FITTING	1		
17	AH97792	LINE	1		
18	AH87133	HYDRAULIC HOSE	1		6 MM X 457 MM (1/4" I.D. X 18") LONG
19	32238	PACKING	2	-414100	
	R62070	RING	2	414101-	
20	AH92255	COUPLING	1		

1D14

H32901

-UN-01JAN94

CYLINDER SPEED CONTROL VALVE



H32901

1D15

HYDRAULICS

CYLINDER SPEED CONTROL VALVE - CONTINUED

KEY	PART NO.	PART NAME	QTY	SERIAL NO.	REMARKS
1	A4655R	NUT	2		
2	E62942	COVER	2		
3	E62941	ELECTRICAL COIL	2		
4	14H631	NUT	2	0.190"	
5	H102191	PLATE	2		
6	SLEEVE	1		
7	WASHER	2		
8	ARMATURE	1		
9	POPPET	1		
10	SPRING	1		
11	BUSHING	1		
12	ORIFICE	1		
13	E62089	SPRING	2		
14	POPPET	1		
15	P51212	O-RING	1		
16	U15980	O-RING	2		
17	HOUSING	1		
18	28H102	SPACER	2	1/4" X 1"	
19	19H1897	CAP SCREW	2	5/16" X 3-3/4"	
	12H303	LOCK WASHER	2	5/16"	
	14H785	NUT	2	5/16"	
20	U40962	O-RING	1		
21	ORIFICE	1		
22	SEAT	1		
23	ARMATURE	1		
24	POPPET	1		
25	SLEEVE	1		
26	AH100307	VALVE	1		
..	AE37061	ARMATURE	1		ARMATURE REPAIR
..	AH96359	KIT	1		ARMATURE REPAIR
..	AH102055	KIT	1		POPPET REPAIR
..	AH102056	KIT	1		POPPET REPAIR

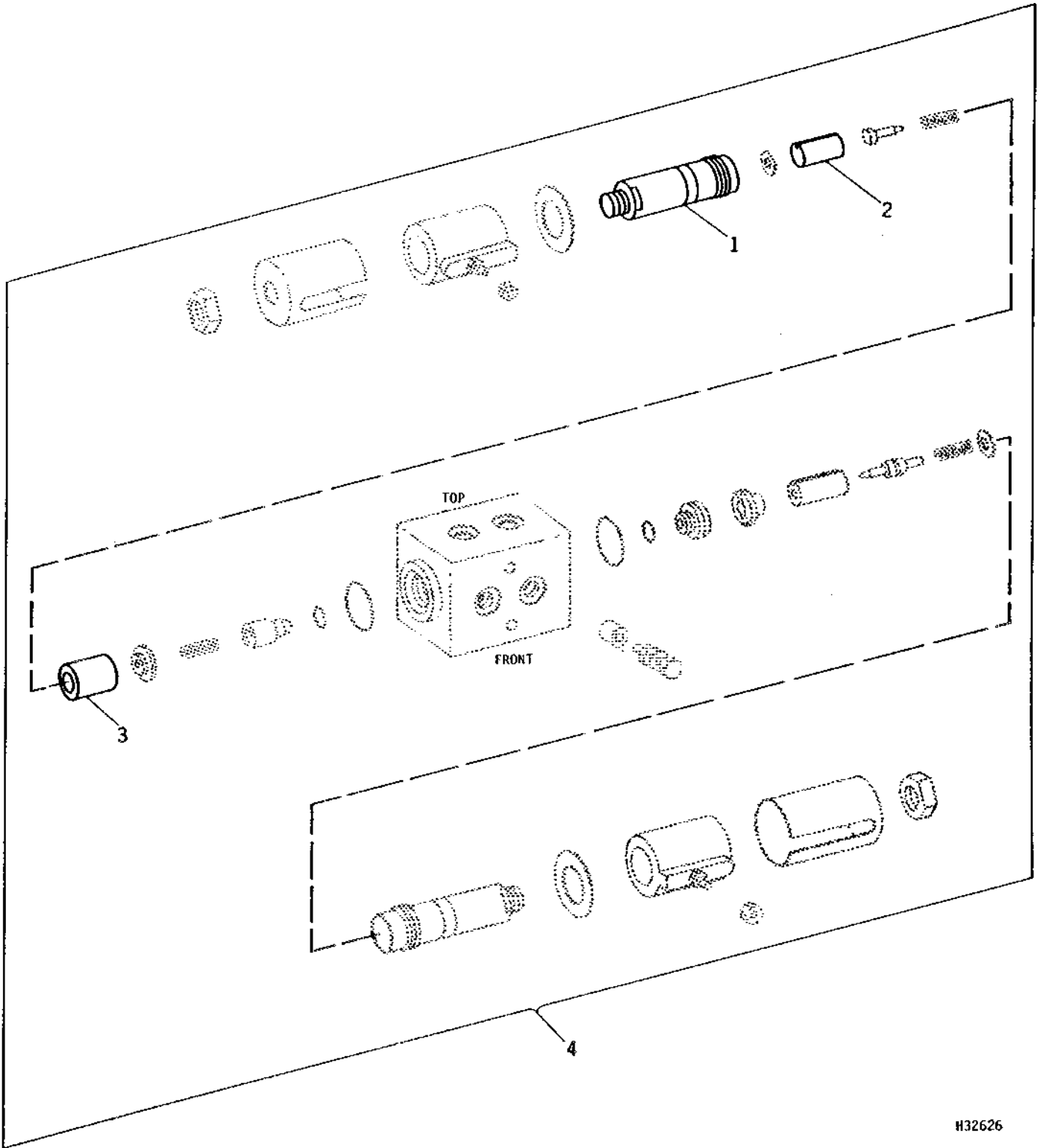
1D16

HYDRAULICS

H32626

-UN-01JAN94

KIT, ARMATURE REPAIR



H32626

1D17

HYDRAULICS

KIT, ARMATURE REPAIR - CONTINUED

KEY	PART NO.	PART NAME	QTY	SERIAL NO.	REMARKS
1	SLEEVE	1		
2	ARMATURE	1		
3	BUSHING	1		
4	AE37061	ARMATURE	1		

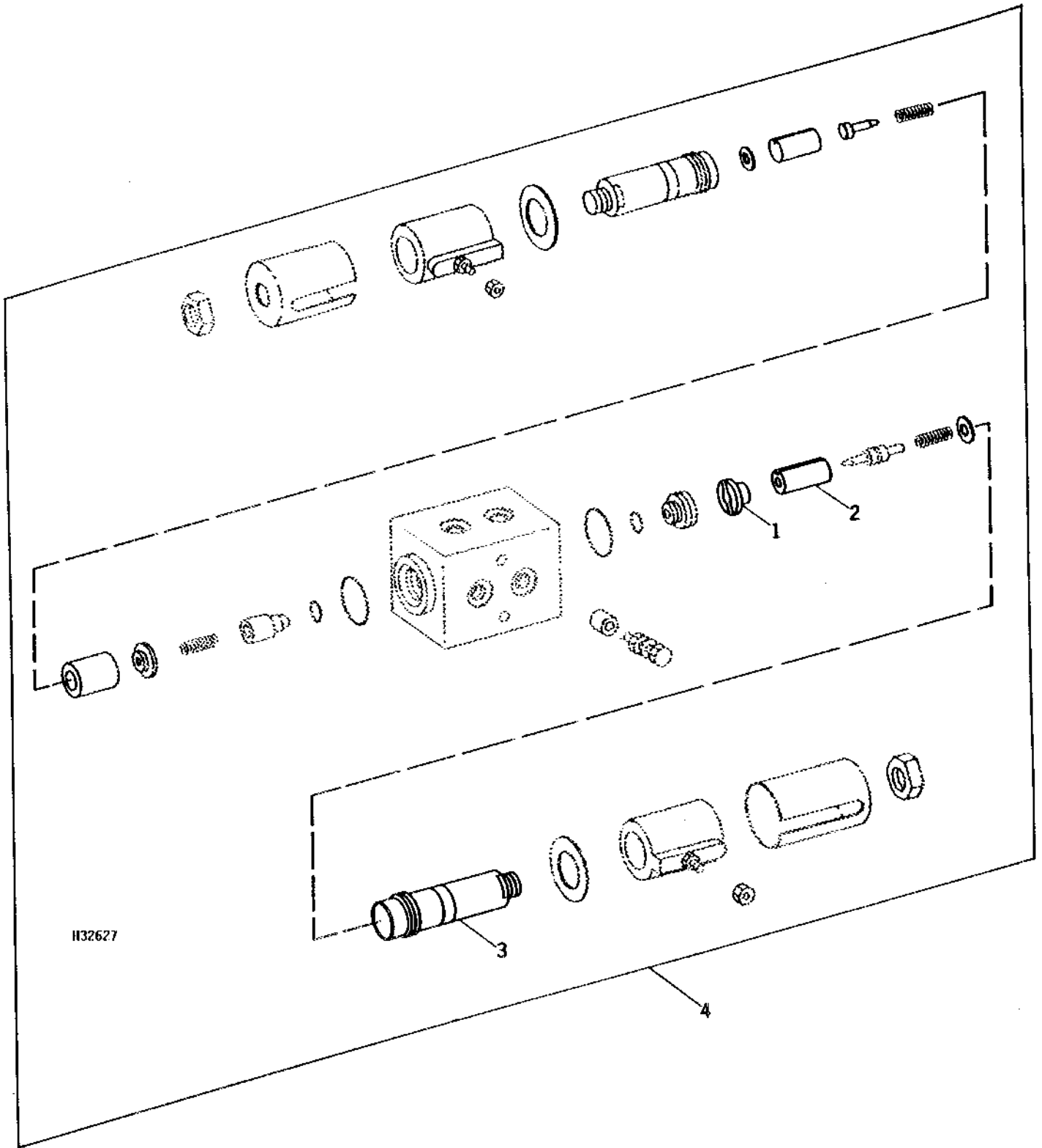
1D18

HYDRAULICS

H32627

-UN-01JAN94

KIT, ARMATURE REPAIR



1D19

HYDRAULICS

KIT, ARMATURE REPAIR - CONTINUED

KEY	PART NO.	PART NAME	QTY	SERIAL NO.	REMARKS
1	SEAT	1		
2	ARMATURE	1		
3	SLEEVE	1		
4	AH96359	KIT	1		

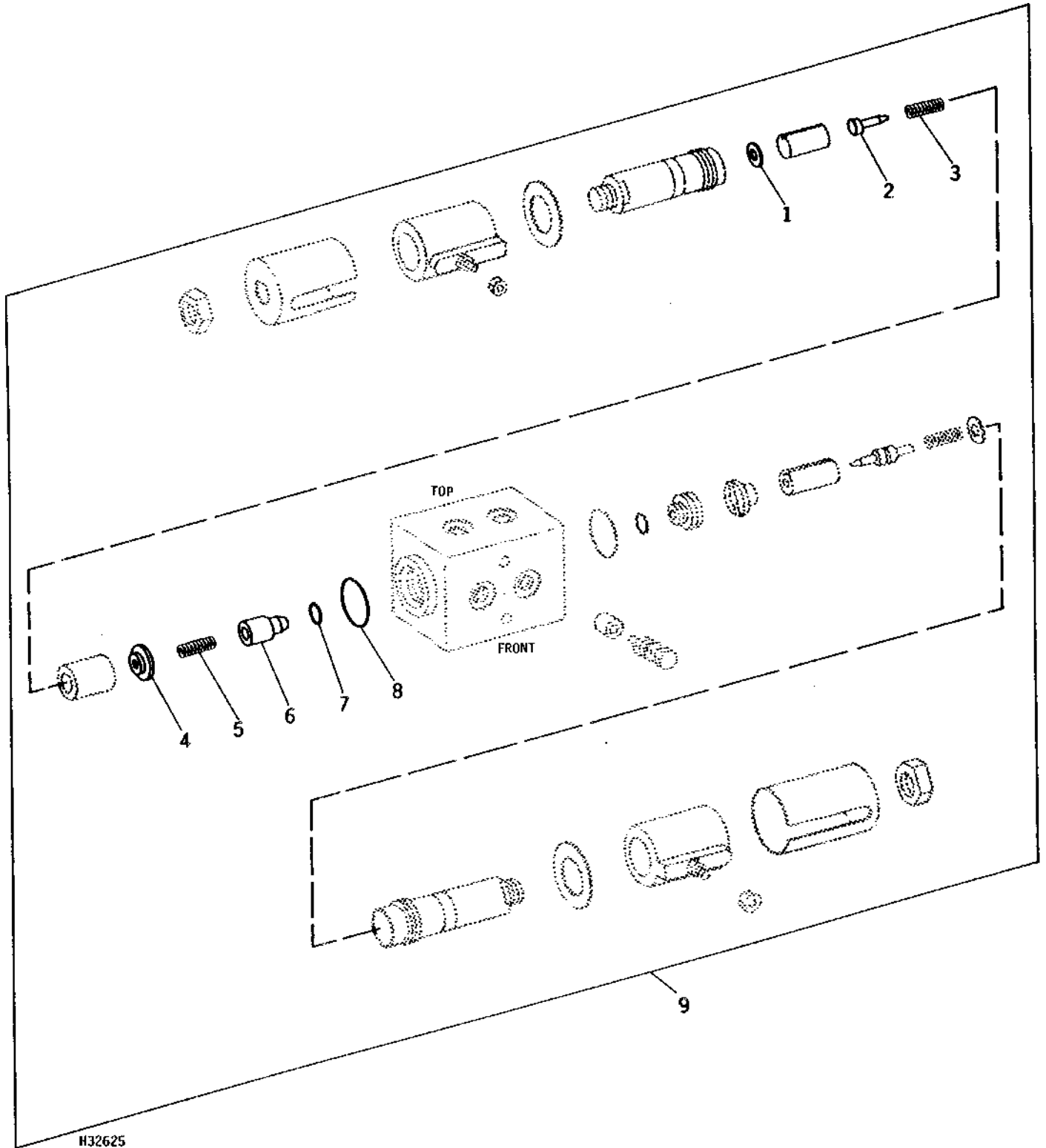
1D20

HYDRAULICS

H32625

-UN-01JAN94

KIT, POPPET REPAIR



H32625

1D21

HYDRAULICS

KIT, POPPET REPAIR - CONTINUED

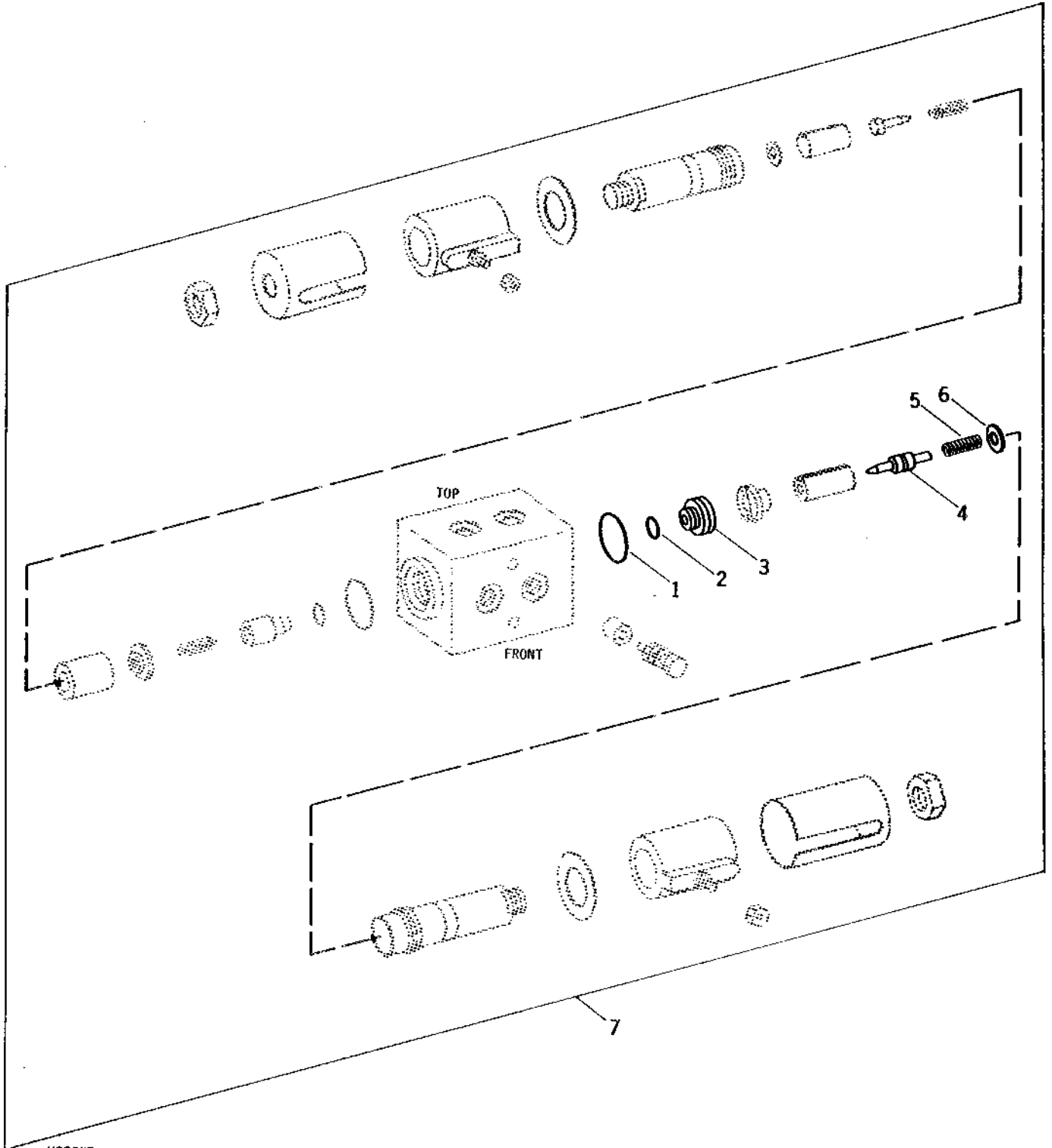
KEY	PART NO.	PART NAME	QTY	SERIAL NO.	REMARKS
1	WASHER	1		
2	POPPET	1		
3	SPRING	1		
4	ORIFICE	1		
5	E62089	SPRING	1		
6	POPPET	1		
7	P51212	O-RING	1		
8	U15980	O-RING	1		
9	AH102055	KIT	1		

1D22

H32628

-UN-01JAN94

KIT, POPPET REPAIR



H32628

1D23

HYDRAULICS

KIT, POPPET REPAIR - CONTINUED

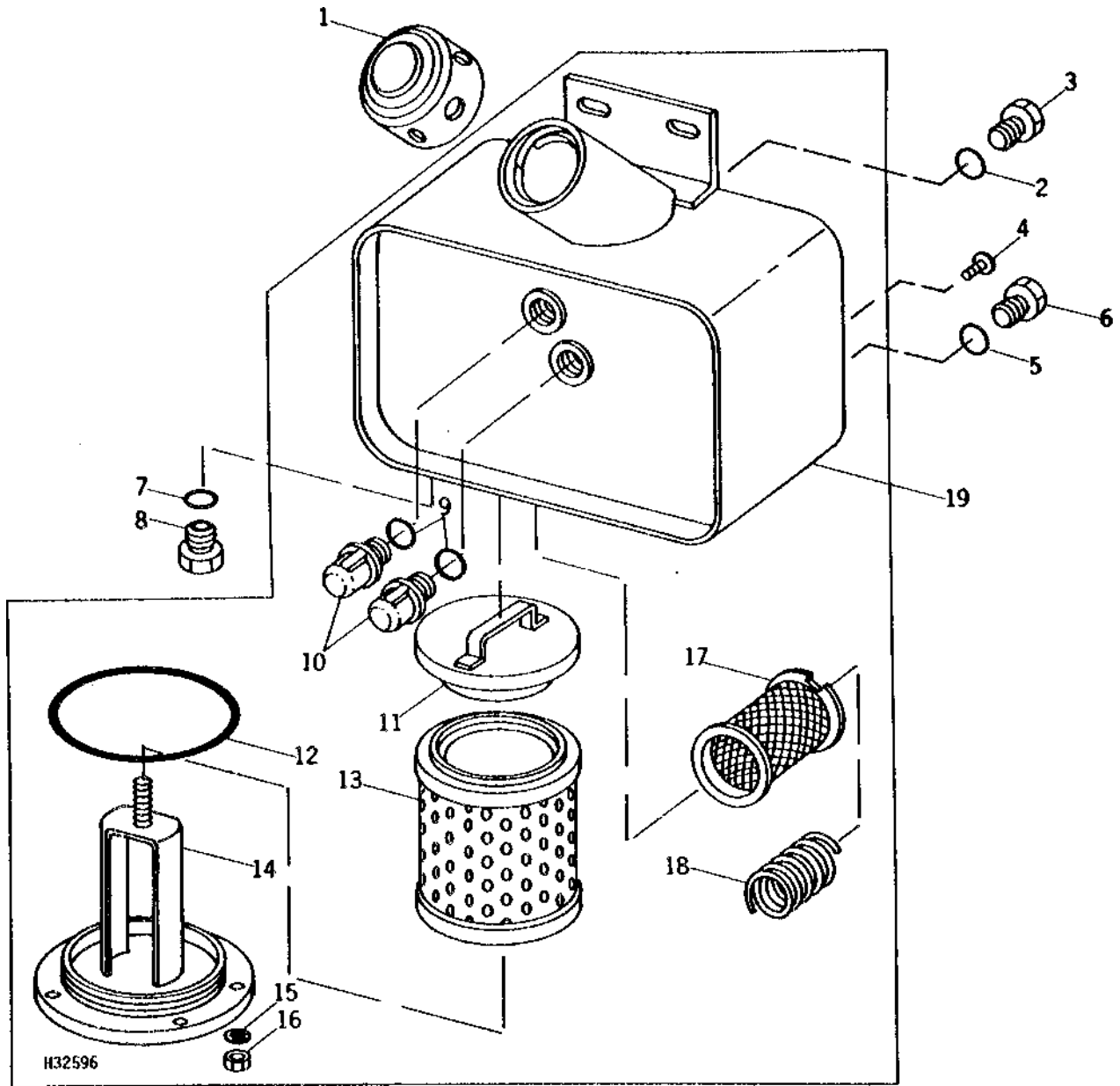
KEY	PART NO.	PART NAME	QTY	SERIAL NO.	REMARKS
1	U15980	O-RING	1		
2	U40962	O-RING	1		
3	ORIFICE	1		
4	POPPET	1		
5	E62089	SPRING	1		
6	WASHER	1		
7	AH102056	KIT	1		

1D24

H32596

-UN-01JAN94

HYDRAULIC OIL RESERVOIR



1D25

HYDRAULICS

HYDRAULIC OIL RESERVOIR - CONTINUED

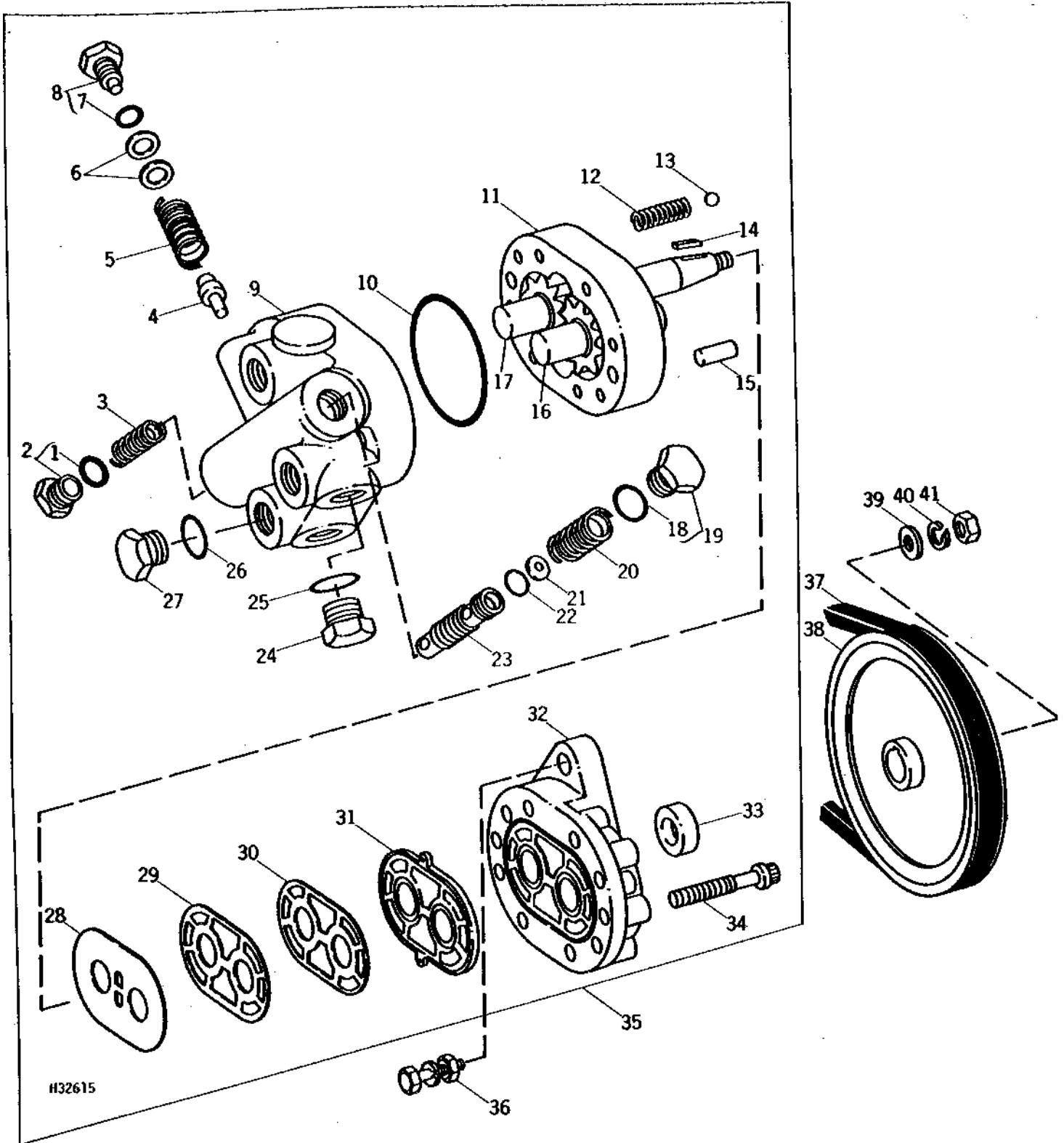
KEY	PART NO.	PART NAME	QTY	SERIAL NO.	REMARKS
1	AH97732	CAP	1		
2	R29936	O-RING	1		
3	R36636	FITTING PLUG	1		
4	15H624	PIPE PLUG	1		1/2"
5	U12547	O-RING	1		
6	R27175	DRAIN PLUG	1		
7	R26375	O-RING	1		
8	R39112	FITTING	1		
9	R375R	O-RING	2		
10	AH87790	LENS	2		
11	AH97967	VALVE	1		
12	H102843	O-RING	1		
13	AH91274	FILTER	1		
14	AH99359	COVER	1	-600000	(SUB AH116927)
	AH116927	COVER	1		
15	12H302	LOCK WASHER	6	-600000	1/4"
	12H303	LOCK WASHER	6	600001-	5/16"
16	14H786	NUT	6	-600000	1/4"
	14H785	NUT	6	600001-	5/16"
17	AH91275	STRAINER	1		
18	H100354	SPRING	1		
19	AH99342	RESERVOIR	1	-600000	(SUB AH116926)
	AH116926	HYDRAULIC RESERVOIR	1		

1E1

H32615

-UN-01JAN94

BELT PICKUP PUMP AND SHEAVE



BELT PICKUP PUMP AND SHEAVE - CONTINUED

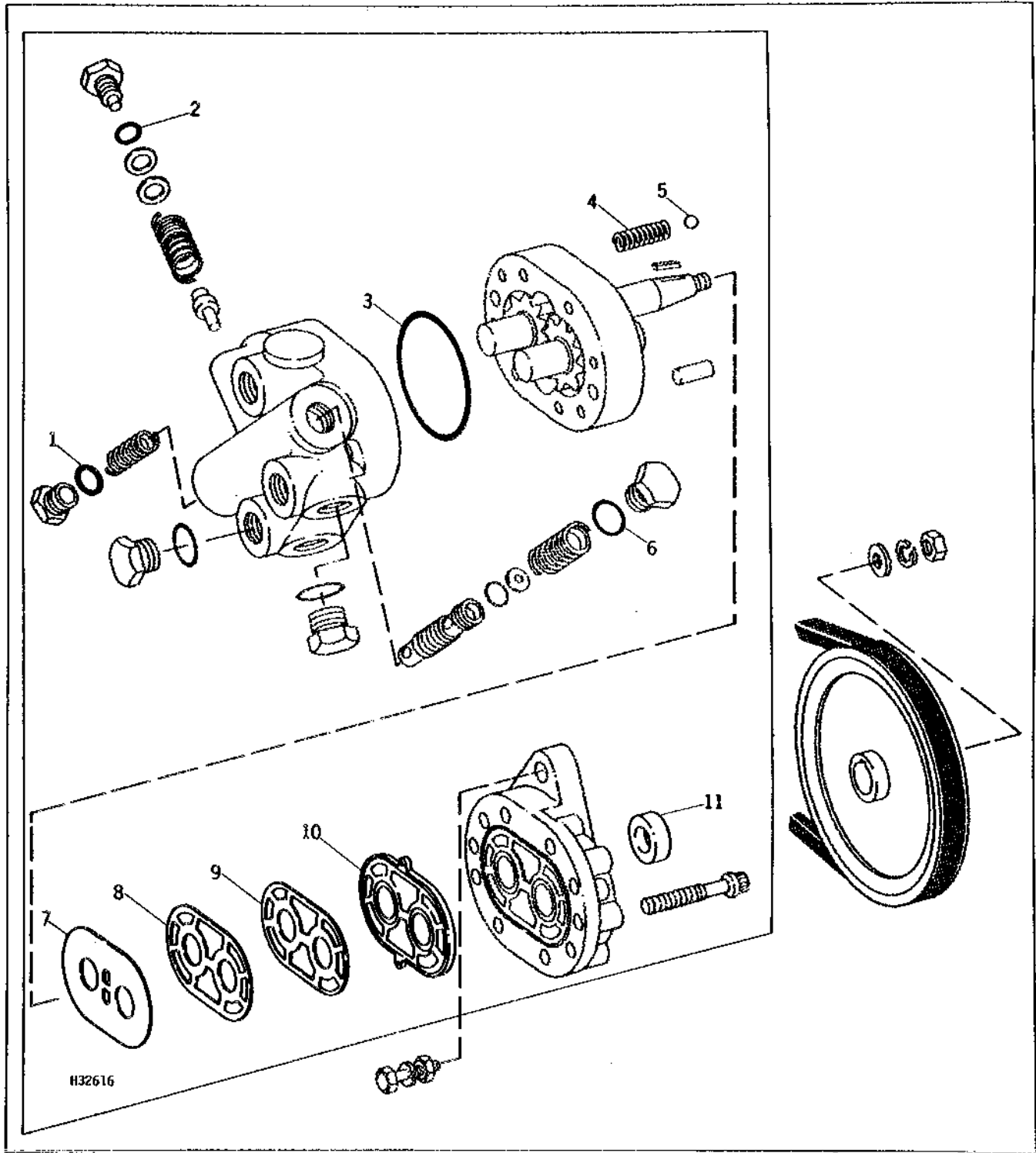
KEY	PART NO.	PART NAME	QTY	SERIAL NO.	REMARKS
1	N130510	O-RING	1	(KIT AH66648)	
2	AH19265	FITTING	1	(KIT AH101269)	
3	T19972	SPRING	1	(KIT AH101269)	
4	AH18137	POPPET	1	(KIT AH101269)	
5	M80170	COMPRESSION SPRING	1	-464066	(KIT AH101269) (THIS APPLICATION ONLY)
	H60817	SPRING	1	464067-513350	(KIT AH101269) (SUB H31256, THIS APPLICATION)
	H31256	SPRING	1		(KIT AH101269)
6	H31257	SHIM	AR		(KIT AH101269)
7	P46051	O-RING	1		(KIT AH66648)
8	AN122335	FITTING	1		(KIT AH101269)
9	PLATE	1		(AH101269)
10	O-RING	1		(KIT AH66648)
11	H80813	HOUSING	1		
12	H22695	SPRING	2		(KIT AH66648)
13	H22694	BALL	2		(KIT AH66648)
14	N34986	SHAFT KEY	1		
15	P51444	DOWEL PIN	2		
16	AE28051	GEAR	1		IDLER
17	AE28050	STEERING GEAR	1		
18	U40745	O-RING	1		(KIT AH66648)
19	AE35771	DRAIN PLUG	1		(KIT AH101269)
20	E46836	SPRING	1		(KIT AH101269)
21	H63358	ORIFICE	AR		(KIT AH101269)
22	O-RING	3		(KIT AH101269)
23	SPOOL	1		(KIT AH101269)
24	R39112	FITTING	1		
25	R26375	O-RING	1		
26	R28782	O-RING	1		
27	R51031	FITTING	1		
28	N126257	DIAPHRAGM	1		(KIT AH66648)
29	T12958	GASKET	1		BACKUP, (KIT AH66648)
30	T12959	GASKET	1		PROTECTOR, (KIT AH66648)
31	T12956	SEAL	1		DIAPHRAGM, (KIT AH66648)
32	AH17973	HOUSING	1		FRONT
33	AH15442	SEAL	1		(KIT AH66648)
34	H28156	SCREW	8		
35	AH93965	HYDRAULIC PUMP	1		
36	19H1732	CAP SCREW	2		3/8" X 1-1/4"
	12H304	LOCK WASHER	2		3/8"
	14H812	NUT	2		3/8"
37	H86274	BELT	1		
38	AH100065	SHEAVE	1		159 MM (6-1/4") DIA.
39	24H1237	WASHER	1		25/64" X 7/8" X 0.060"
40	12H304	LOCK WASHER	1		3/8"
41	14H812	NUT	1		3/8"
..	AH66648	KIT	1		
..	AH101269	PLATE	1		

1E3

H32616

-UN-01JAN94

KIT, BELT PICKUP PUMP



1E4

HYDRAULICS

KIT, BELT PICKUP PUMP - CONTINUED

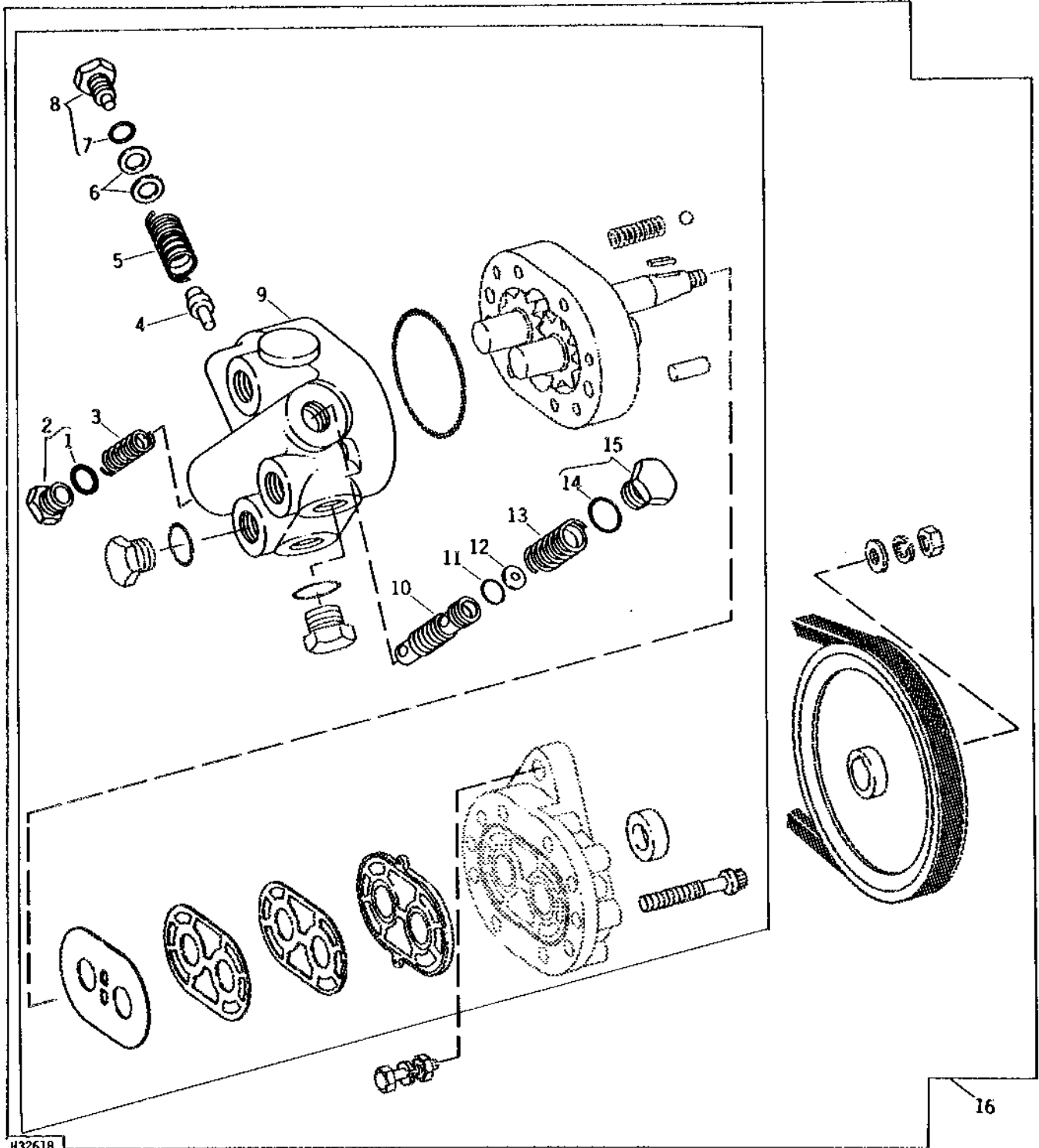
KEY	PART NO.	PART NAME	QTY	SERIAL NO.	REMARKS
1	N130510	O-RING	1		
2	P46051	O-RING	1		
3	O-RING	1		
4	H22695	SPRING	2		
5	H22694	BALL	2		
6	U40745	O-RING	1		
7	N126257	DIAPHRAGM	1		
8	GASKET	1		BACKUP
9	T12959	GASKET	1		PROTECTOR
10	T12956	SEAL	1		DIAPHRAGM
11	AH15442	SEAL	1		SHAFT
12	AH66648	KIT	1		
..	E40798	O-RING	2		(NOT USED THIS APPLICATION)

1E5

H32618

-UN-01JAN94

KIT, BELT PICKUP PUMP BACK PLATE



H32618

1E6

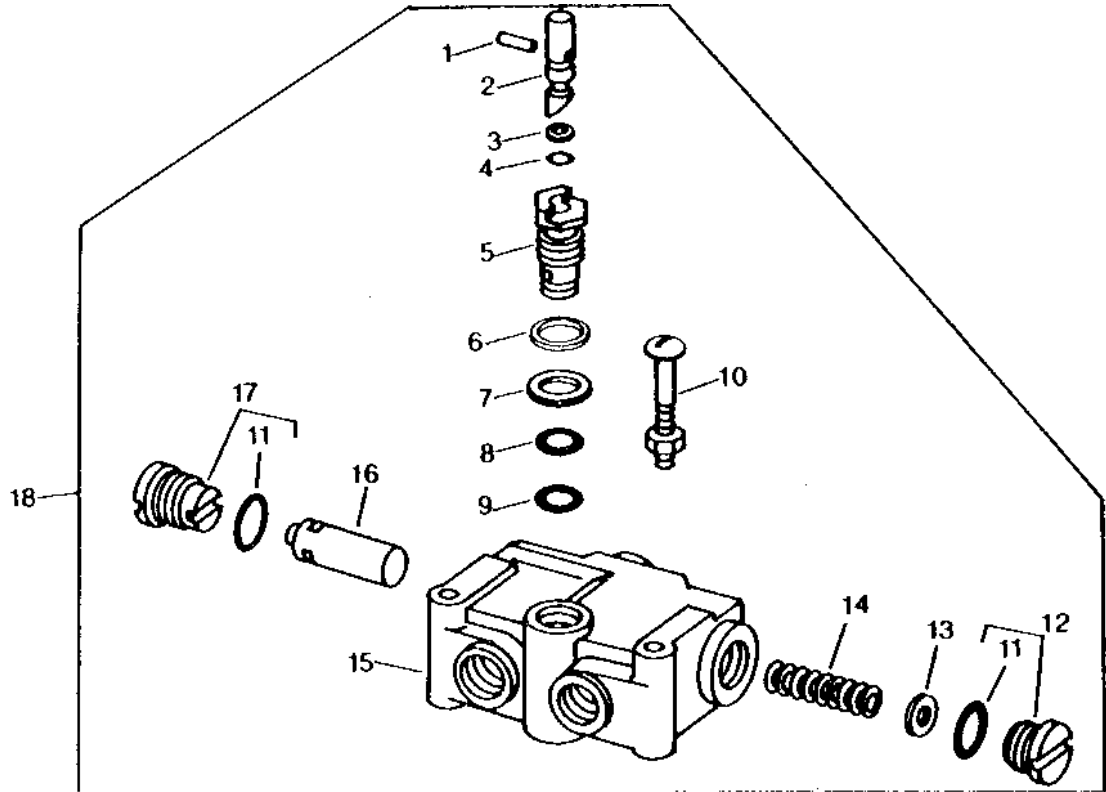
HYDRAULICS

KIT, BELT PICKUP PUMP BACK PLATE - CONTINUED

KEY	PART NO.	PART NAME	QTY	SERIAL NO.	REMARKS
1	N130510	O-RING	1		
2	AH19265	FITTING	1		
3	T19972	SPRING	1		
4	AH18137	POPPET	1		
5	M80170	COMPRESSION SPRING	1	-464066	(THIS APPLICATION ONLY)
	H60817	SPRING	1	464067-513350	(SUB H31256, THIS APPLICATION)
	H31256	SPRING	1		
6	H31257	SHIM	AR		
7	P46051	O-RING	1		
8	AN122335	FITTING	1		
9	PLATE	1		
10	SPOOL	1		
11	O-RING	3		
12	H63358	ORIFICE	AR		
13	E46836	SPRING	1		
14	U40745	O-RING	1		
15	AE35771	DRAIN PLUG	1		
16	AH101269	PLATE	1		

HP710 -UN-01JAN94

BELT PICKUP FLOW CONTROL VALVE

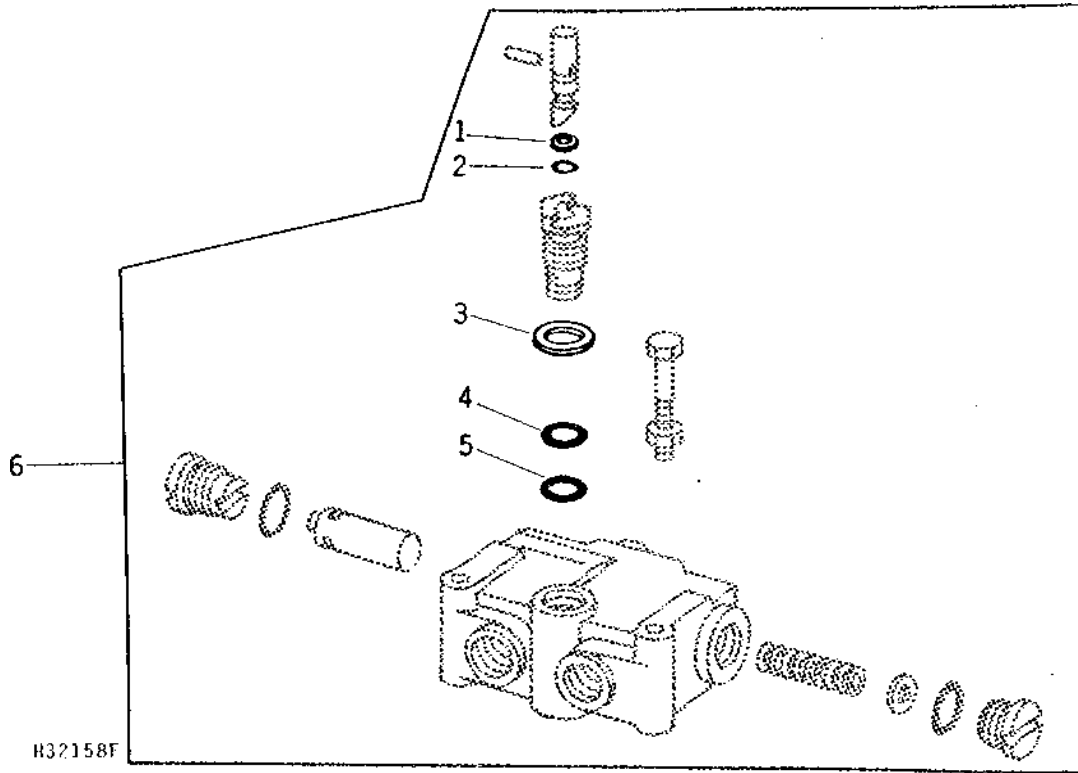


HP710

KEY	PART NO.	PART NAME	QTY	SERIAL NO.	REMARKS
1	H101370	GROOVE PIN	1		(KIT AH81166)
2	SPOOL	1		METERING, (KIT AH81166)
3	T27624	BACK-UP RING	1		(KIT AH81166 AND AH81167)
4	P51212	O-RING	1		(KIT AH81166 AND AH81167)
5	PLUG	1		METERING, (KIT AH81166)
6	H80404	SHIM	AR		
7	H63357	BACK-UP RING	1		(KIT AH81166 AND AH81167)
8	R375R	O-RING	1		(KIT AH81166 AND AH81167)
9	R28776	O-RING	1		(KIT AH81166 AND AH81167)
10	21H1271	SCREW	2		5/16" X 2-1/4"
	14H785	NUT	2		5/16"
11	H63289	O-RING	2		
12	AH78760	DRAIN PLUG	1		WITH O-RING
13	SHIM	1		
14	SPRING	1		
15	HOUSING	1		
16	RELIEF VALVE	1		
17	AH81165	PLUG	1		
18	AH81164	VALVE	1	-610600	(REMANUFACTURED) (SUB AH122371)
	AH122371	CHECK VALVE	1		(REMANUFACTURED)
..	AH81166	KIT	1	-610600	(SUB AH122354)
..	AH122354	KIT	1		ADJUSTING SCREW
..	AH81167	SEAL KIT	1		

KIT, SEAL REPAIR
BELT PICKUP FLOW CONTROL VALVE

H32158F -UN-01JAN94



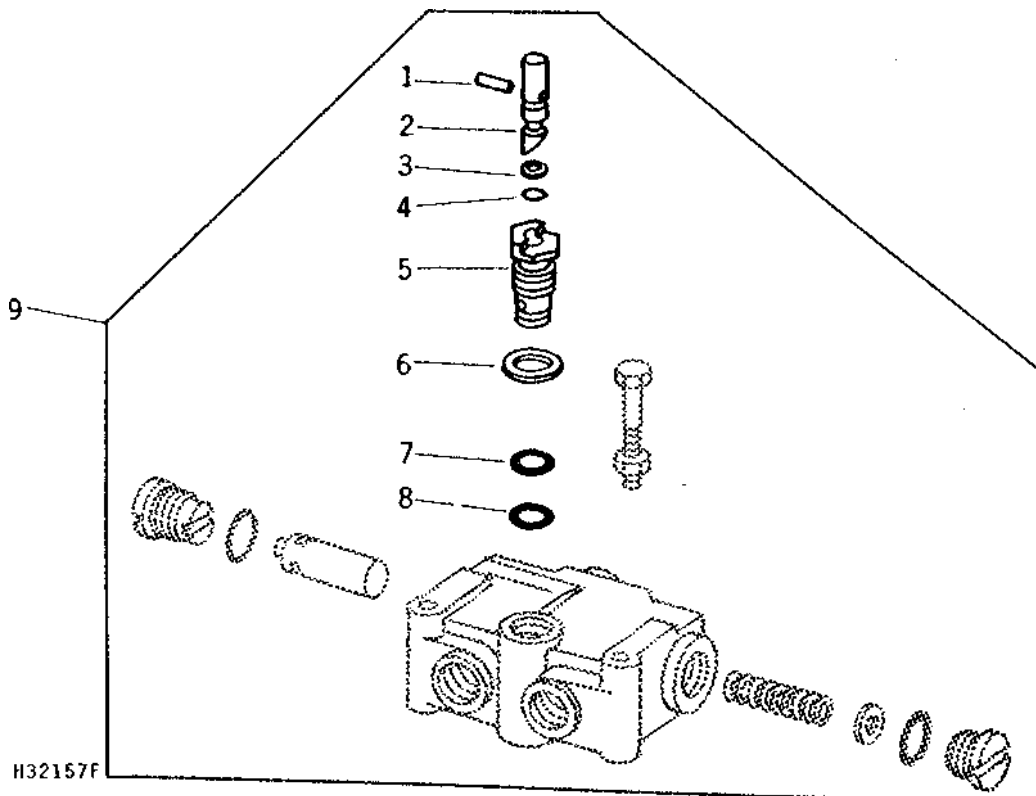
KEY	PART NO.	PART NAME	QTY	SERIAL NO.	REMARKS
1	T27624	BACK-UP RING	1		
2	P51212	O-RING	1		
3	H63357	BACK-UP RING	1		
4	R375R	O-RING	1		
5	R28776	O-RING	1		
6	AH81167	SEAL KIT	1		
..	O-RING	2		(NOT USED THIS APPLICATION)
..	WASHER	1		(NOT USED THIS APPLICATION)
..	O-RING	1		(NOT USED THIS APPLICATION)

MEMORANDA

1E9

H32157F -UN-01JAN94

KIT, ADJUSTING SCREW



KEY	PART NO.	PART NAME	QTY	SERIAL NO.	REMARKS
1	H101370	GROOVE PIN	1		
2	SPOOL	1		METERING
3	T27624	BACK-UP RING	1		
4	P51212	O-RING	1		
5	PLUG	1		METERING
6	H63357	BACK-UP RING	1		
7	R375R	O-RING	1		
8	R28776	O-RING	1		
9	AH81166	KIT	1	-610600	(SUB AH122354)
	AH122354	KIT	1		

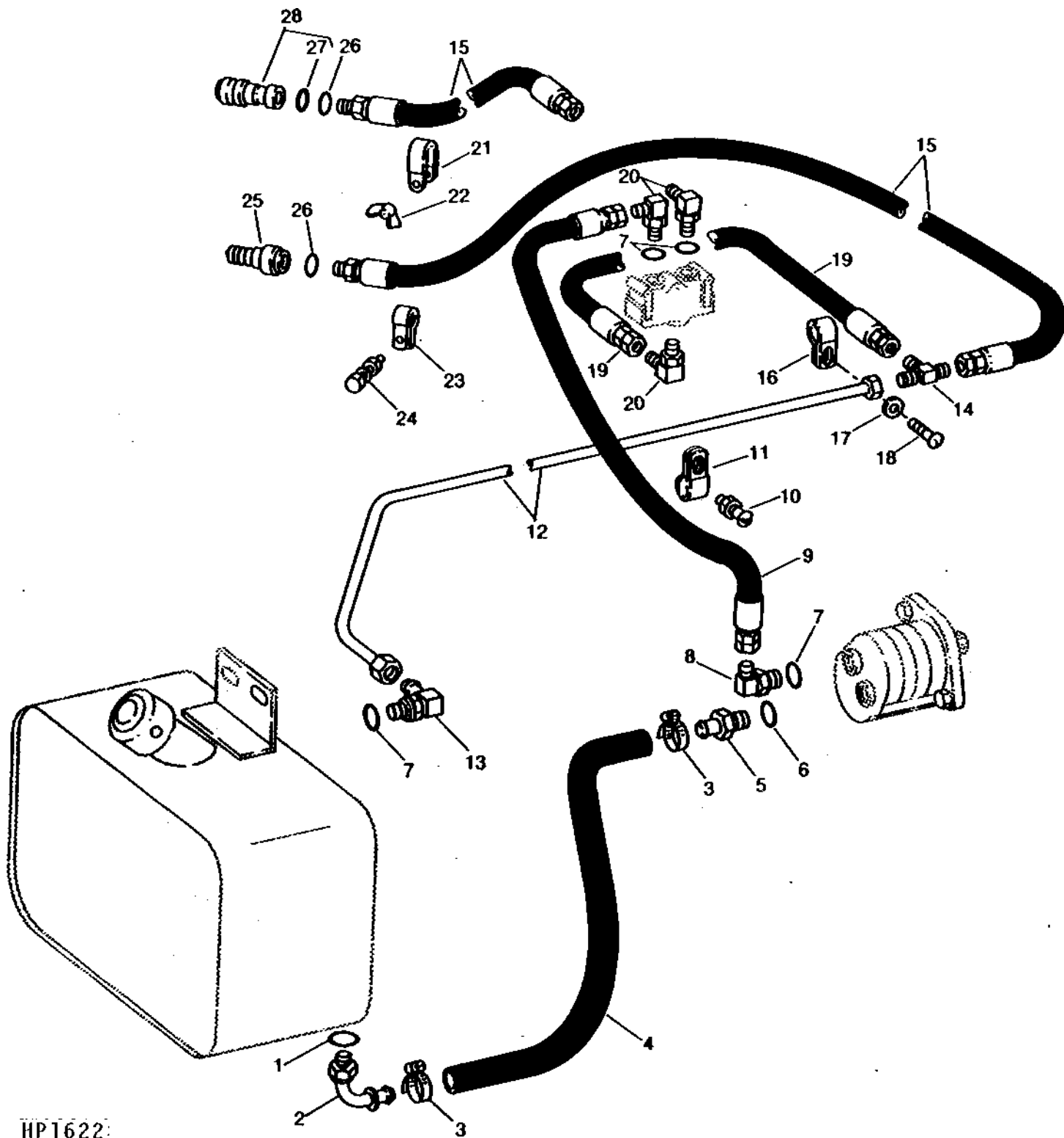
1E10

HYDRAULICS

HP1622

-UN-01JAN94

BELT PICKUP OIL LINES



HP1622

1E11

HYDRAULICS

BELT PICKUP OIL LINES - CONTINUED

KEY	PART NO.	PART NAME	QTY	SERIAL NO.	REMARKS
1	R29936	O-RING	1		
2	AH96708	FITTING	1		90°
3	AH103497	CLAMP	2	-414244	(SUB AH105968)
	AH105968	HOSE CLAMP	2		
4	H101234	HYDRAULIC HOSE	1		25 MM X 610 MM (1" I.D. X 24") LONG
5	H101246	HOSE FITTING	1		
6	U12547	O-RING	1		
7	R26906	O-RING	5		
8	AR26724	ELBOW FITTING	1		90°
9	AH76900	HYDRAULIC HOSE	1		13 MM X 1575 MM (1/2" I.D. X 62") LONG
10	21H1305	SCREW	2		1/4" X 1"
	12H302	LOCK WASHER	2		1/4"
	14H786	NUT	2		1/4"
11	H77358	CLIP	2		
12	AH100308	LINE	1		
13	R27270	FITTING	1		
14	H60885	TEE FITTING	1		
15	AH97121	HYDRAULIC HOSE	2	-600000	13 MM X 1575 MM (1/2" I.D. X 62") LONG
	AH112678	SHIM	2	600001-625300	
	AH127700	HOSE	2	625301-	7/8" X 5 350 MM (210-3/4") X 3/4"
16	AH77924	CLIP	1		
17	24H1136	WASHER	1		11/32" X 11/16" X 0.065"
18	N10212	SELF-LOCKING SCREW	1		
19	AH76927	HOSE	1		13 MM X 660 MM (1/2" I.D. X 26") LONG
20	AR26724	ELBOW FITTING	3		90°
21	AH77869	CLIP	1		
22	14H827	WING NUT	1		3/8"
	12H304	LOCK WASHER	1		3/8"
23	AH78124	CLIP	1		
24	03H1765	BOLT	1		3/8" X 3/4"
	12H304	LOCK WASHER	1		3/8"
	14H812	NUT	1		3/8"
25	AH15000	HYD. QUICK-CONNECT COUPLER	1	-600000	(SUB AR94522, THIS APPLICATION)
	AR94522	INTERNAL HALF COUPLER	1		
26	R26375	O-RING	2		
27	P45750	O-RING	1		
28	AH75167	HYD. QUICK-CONNECT COUPLER	1		

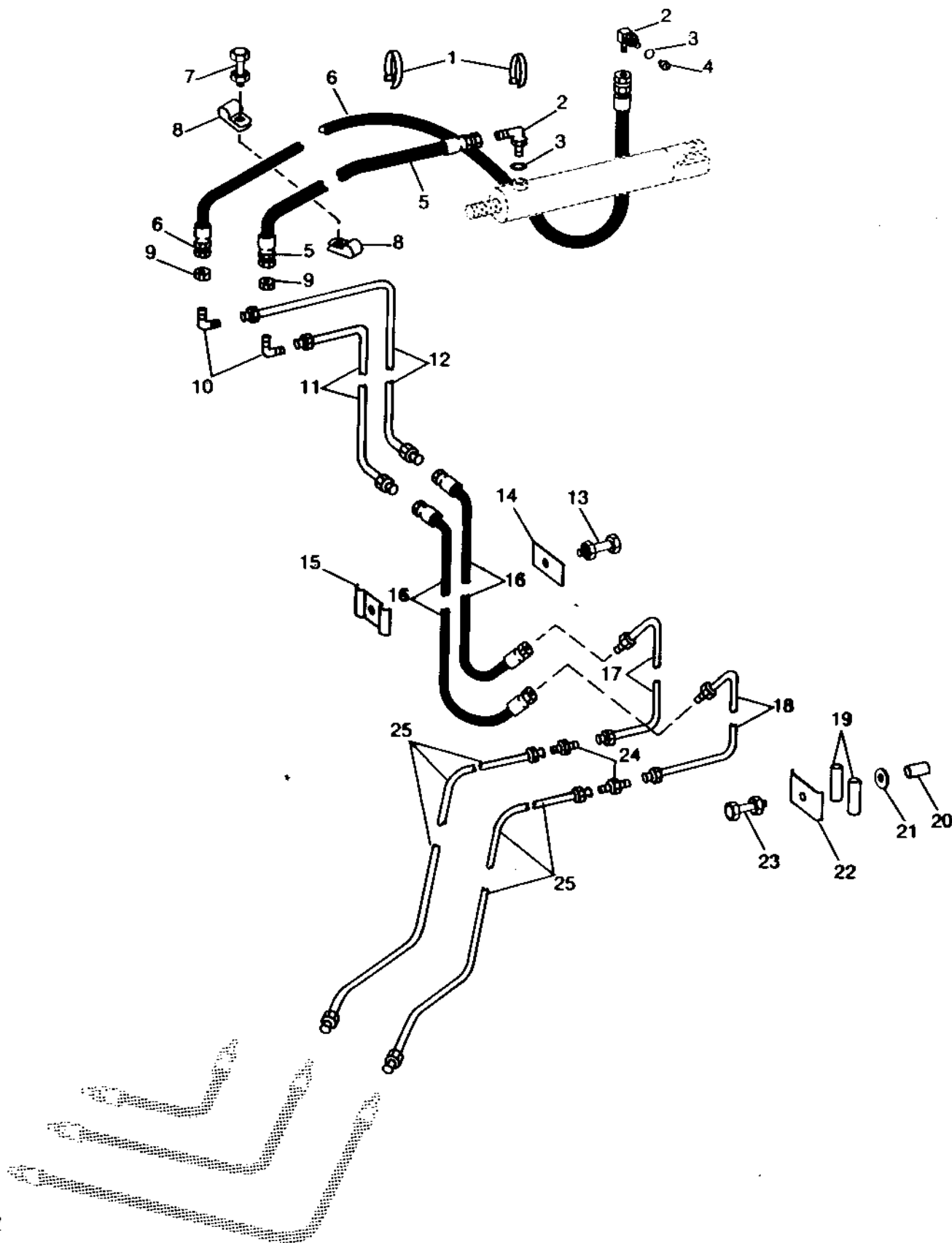
1E12

HYDRAULICS

UNLOADING AUGER SWING HYDRAULIC OIL LINES AND HOSES

HP2152

-UN-01JAN94



HP2152

UNLOADING AUGER SWING HYDRAULIC OIL LINES AND HOSES - CONTINUED

KEY	PART NO.	PART NAME	QTY	SERIAL NO.	REMARKS
1	H77698	TIE BAND	2		
2	AH63565	ELBOW FITTING	2	-600000	90°
	AH75160	ELBOW FITTING	2	600001-	
3	R28782	O-RING	2	-600000	
	R26448	O-RING	2	600001-	
4	H118401	ORIFICE	1	600001-	
5	AH97777	HYDRAULIC HOSE	1		6 MM X 41 MM (1/4" X 16") LONG
6	AH96002	HYDRAULIC HOSE	1		6 MM X 1118 MM (1/4" X 44") LONG
7	19H1919	CAP SCREW	1		1/4" X 5/8"
	12H302	LOCK WASHER	1		1/4"
	14H786	NUT	1		1/4"
8	H77358	CLIP	2		
9	14H934	NUT	2		7/16"
10	T37863	FITTING	2		90°
11	AH100338	LINE	1	-610600	
	AH124734	LINE	1	610601-	
12	AH100339	LINE	1	-610600	
	AH124735	LINE	1	610601-	
13	19H1905	CAP SCREW	1		5/16" X 1"
	12H303	LOCK WASHER	1		5/16"
	14H785	NUT	1		5/16"
14	H96857	STRAP	1		
15	AH97786	CLAMP	1		
16	AH92425	HYDRAULIC HOSE	2		6 MM X 762 MM (1/4" X 30") LONG
17	AH92730	LINE	1		FRONT
18	AH92846	LINE	1		REAR
19	H23941	ISOLATOR	4		
20	28H86	WASHER	2		0.364" X 0.540" X 5/16"
21	24H1136	WASHER	2		11/32" X 11/16" X 0.065"
22	H83208	CLAMP	2		
23	H79578	SCREW	2		SELF-LOCKING
24	H33795	UNION FITTING	2		
25	AH100346	LINE	2		

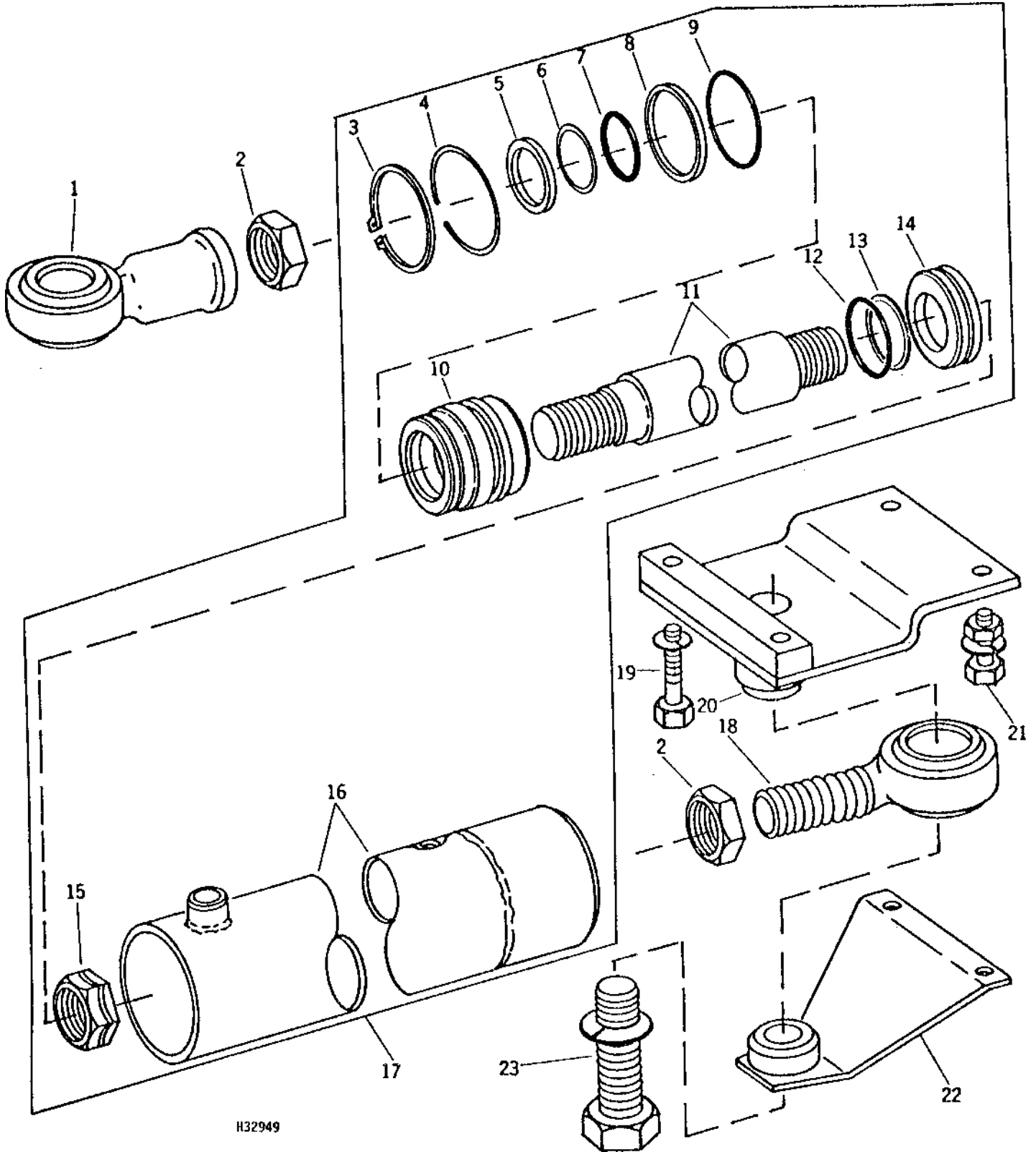
1E14

HYDRAULICS

UNLOADING AUGER SWING HYDRAULIC CYLINDER AND MOUNTING (SERIAL NO. -463600)

H32949

-UN-01JAN94



H32949

1E15

HYDRAULICS

UNLOADING AUGER SWING HYDRAULIC CYLINDER AND MOUNTING-CONTINUED
 (SERIAL NO. -463600)

KEY	PART NO.	PART NAME	QTY	SERIAL NO.	REMARKS
1	AH97062	TIE ROD END	1	-463600	(SUB AH107894)
	AH107894	TIE ROD END	1		
2	14H904	NUT	2		3/4"
3	SNAP RING	1		(KIT AH101192)
4	RING	1		(KIT AH101192)
5	SEAL	1		(KIT AH101192)
6	WASHER	1		(KIT AH101192)
7	R495R	O-RING	1		(KIT AH101192)
8	WASHER	1		(KIT AH101192)
9	O-RING	1		(KIT AH101192)
10	H101426	GUIDE	1		
11	H101424	ROD	1		
12	U15415	O-RING	1		(KIT AH101192)
13	RING	1		(KIT AH101192)
14	H101425	PISTON	1		
15	B30434	LOCK NUT	1		
16	AH101191	HYDRAULIC CYLINDER BARREL	1		
17	AH97141	CYLINDER	1	-463600	(COMPLETE COMPONENT) (SUB AH105087)
	AH105087	CYLINDER	1		(COMPLETE COMPONENT) (REMANUFACTURED)
18	AH97061	TIE ROD END	1	-463600	(SUB AH107895)
	AH107895	TIE ROD END	1		
19	19H1765	CAP SCREW	2		3/8" X 1-3/4"
	12H304	LOCK WASHER	2		3/8"
20	AH99438	SUPPORT	1		
21	19H1732	CAP SCREW	2		3/8" X 1-1/4"
	12H304	LOCK WASHER	2		3/8"
	14H812	NUT	2		3/8"
22	AH99437	STRAP	1		
23	19H2113	CAP SCREW	1		3/4" X 3-1/4"
	12H236	LOCK WASHER	1		3/4"
..	AH101192	KIT	1		SEAL REPAIR

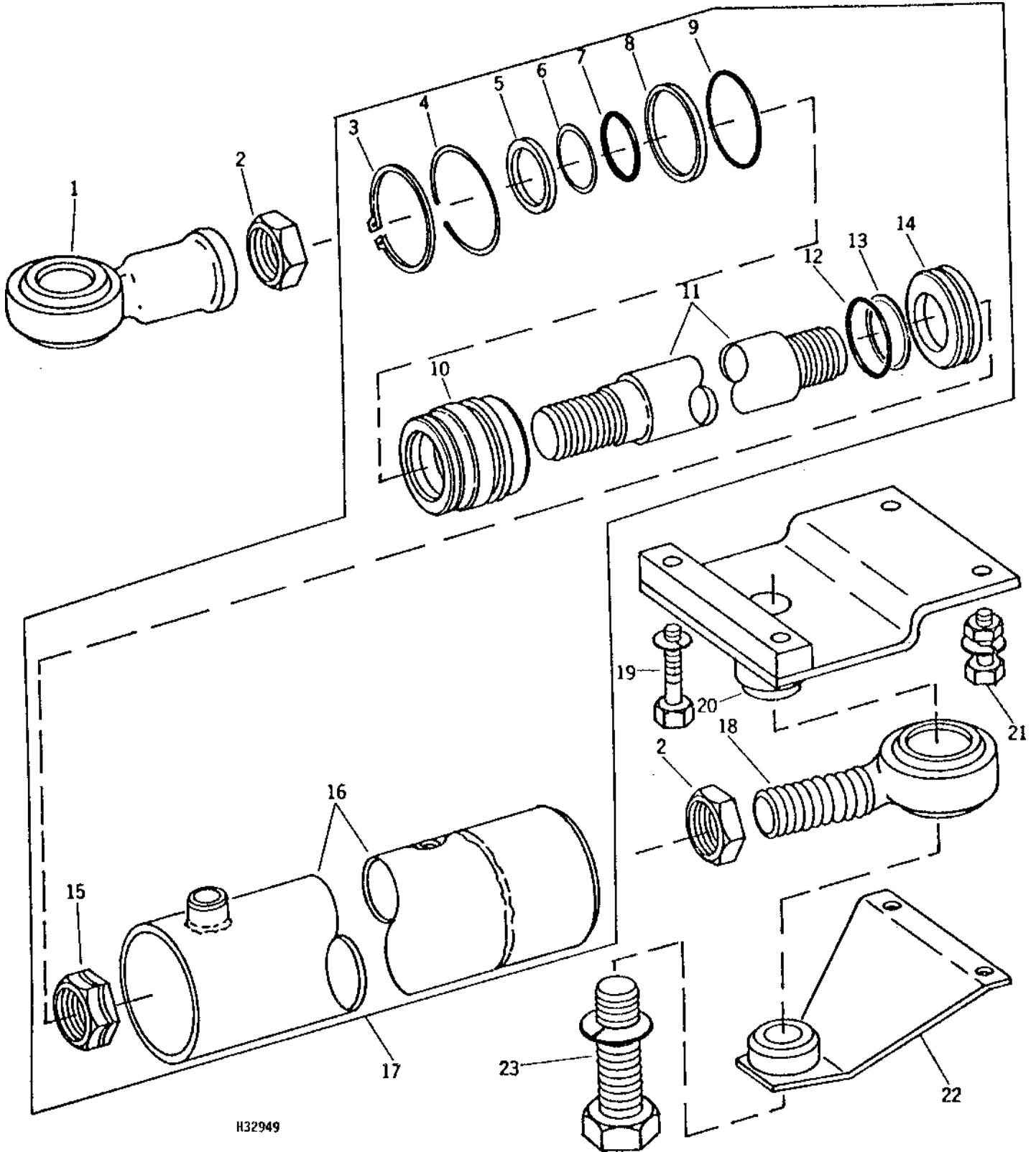
1E16

HYDRAULICS

UNLOADING AUGER SWING HYDRAULIC CYLINDER AND MOUNTING (SERIAL NO. 463601-600000)

H32949

-UN-01JAN94



H32949

UNLOADING AUGER SWING HYDRAULIC CYLINDER AND MOUNTING - CONTINUED
(SEPARATOR SERIAL NO. 463601-)

KEY	PART NO.	PART NAME	QTY	SERIAL NO.	REMARKS
1	AH107894	TIE ROD END	1		
2	14H904	NUT	2	3/4"	
3	SNAP RING	1	(KIT AH107827)	
4	H31253	SNAP RING	1	(KIT AH107827)	
5	SEAL	1	(KIT AH107827)	
6	H63913	BACK-UP RING	1	(KIT AH107827)	
7	A4730R	O-RING	1	(KIT AH107827)	
8	WASHER	1	(KIT AH107827)	
9	U15973	O-RING	1	(KIT AH107827)	
10	H108982	BEARING	1		
11	H108983	ROD	1		
12	O-RING	1	(KIT AH107827)	
13	RING	1	(KIT AH107827)	
14	H108981	PISTON	1		
15	B30434	LOCK NUT	1		
16	AH107826	CYLINDER	1		
17	AH105087	CYLINDER	1	(COMPLETE COMPONENT)	
18	AH107895	TIE ROD END	1		
19	19H1765	CAP SCREW	2	3/8" X 1-3/4"	
	12H304	LOCK WASHER	2	3/8"	
20	AH99438	SUPPORT	1		
21	19H1732	CAP SCREW	2	3/8" X 1-1/4"	
	12H304	LOCK WASHER	2	3/8"	
	14H812	NUT	2	3/8"	
22	AH99437	STRAP	1		
23	19H2113	CAP SCREW	1	3/4" X 3-1/4"	
	12H236	LOCK WASHER	1	3/4"	
..	AH107827	KIT	1	SEAL REPAIR	

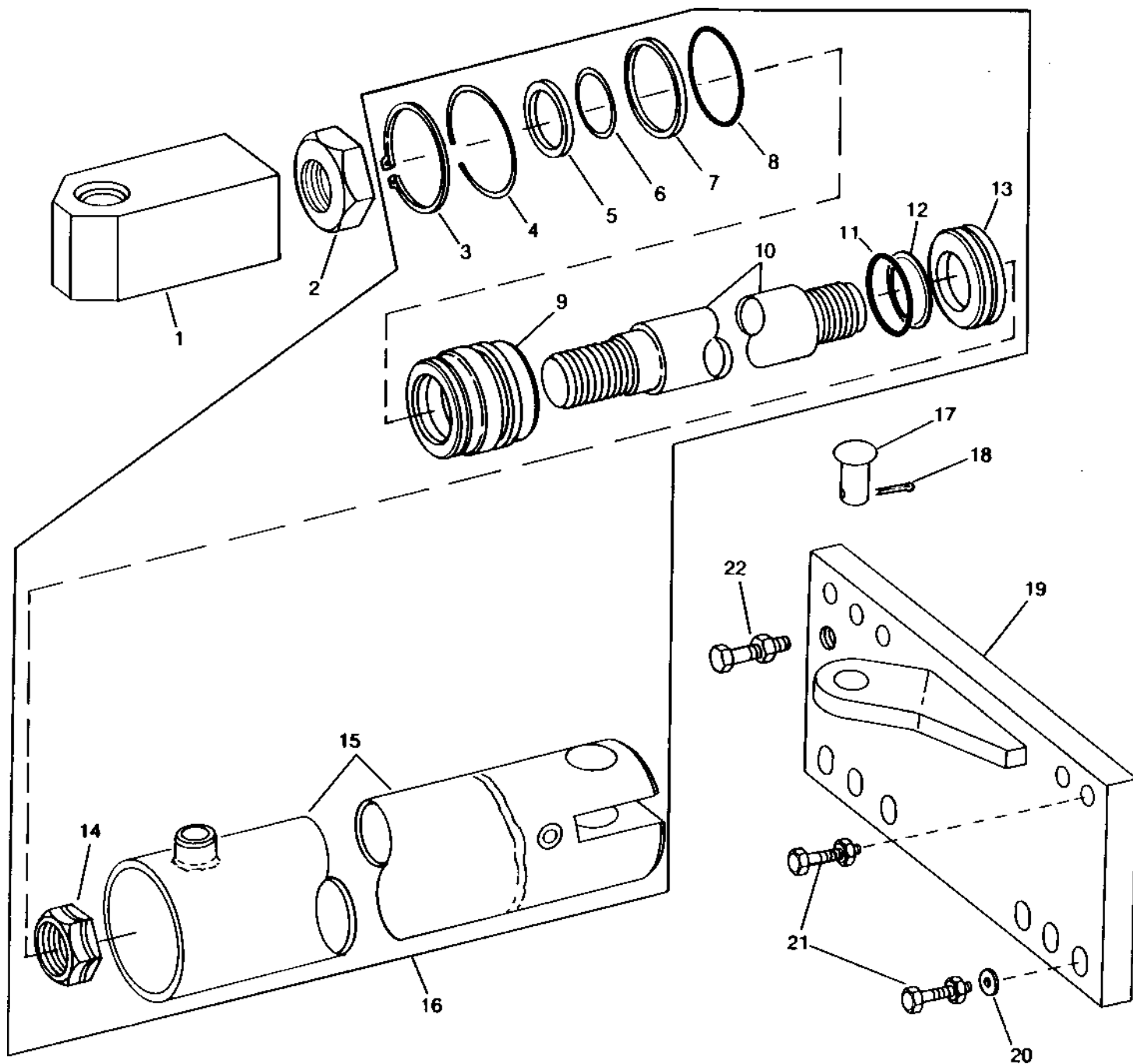
1E18

HYDRAULICS

UNLOADING AUGER SWING HYDRAULIC CYLINDER AND MOUNTING (SERIAL NO. 600001-620800)

HP2685

-UN-01JAN94



**UNLOADING AUGER SWING HYDRAULIC CYLINDER AND MOUNTING - CONTINUED
(SERIAL NO. 600001-620800)**

KEY	PART NO.	PART NAME	QTY	SERIAL NO.	REMARKS
1	H115980	END	1	-620300	(WHEN ORDERED INDIVIDUALLY OR ALONG WITH H116794 AND H116795, SUB AH124017 SERVICE ASSEMBLY)
	AH122494	END	1	620301-	
2	W13288	NUT	1		
3	RING	1		(KIT AH114900)
4	SNAP RING	1		(KIT AH114900)
5	SEAL	1		(KIT AH114900)
6	AH87265	SEAL	1		(KIT AH114900)
7	WASHER	1		(KIT AH114900)
8	P50635	O-RING	1		(KIT AH114900)
9	H118198	BEARING	1		
10	H118199	ROD	1		
11	O-RING	1		(KIT AH114900)
12	RING	1		(KIT AH114900)
13	H118197	PISTON	1		
14	N33203	LOCK NUT	1		
15	AH114899	HYDRAULIC CYLINDER BARREL	1		
16	AH112742	CYLINDER	1		(SUB AH125189)
17	Z9735H	PIN	1	-600000	(SUB R56930, THIS APPLICATION)
	R56930	PIN	1		
18	11H215	COTTER PIN	1		1/4" X 1-1/2"
	11H237	COTTER PIN	1		1/8" X 2"
19	AH114312	BRACKET	1	-610600	(SUB AH122234)
	AH122234	BRACKET	1		
20	24H1305	WASHER	6		13/32" X 13/16" X 0.065"
21	19H3239	CAP SCREW	10		3/8" X 1-1/4"
	12H304	LOCK WASHER	10		3/8"
	14H1076	NUT	10		3/8"
22	19H1977	CAP SCREW	1	610601-	7/8" X 5"
	14H809	NUT	1	610601-	

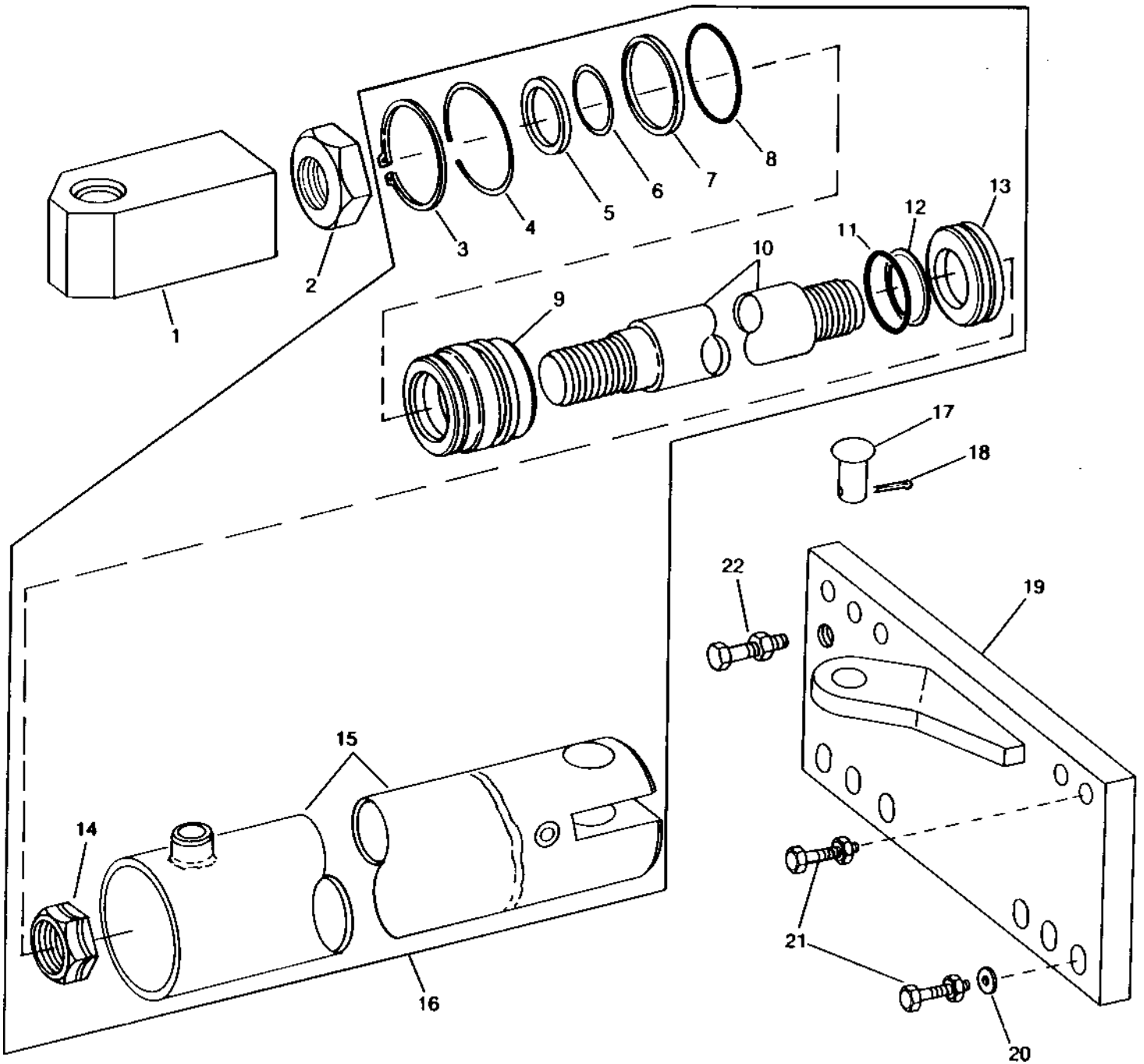
1E20

HYDRAULICS

UNLOADING AUGER SWING HYDRAULIC CYLINDER AND MOUNTING (SERIAL NO. 620801-)

HP2685

-UN-01JAN94



1E21

HYDRAULICS

UNLOADING AUGER SWING HYDRAULIC CYLINDER AND MOUNTING - CONTINUED
(SERIAL NO. 620801-)

KEY	PART NO.	PART NAME	QTY	SERIAL NO.	REMARKS
1	AH127482	END	1	-625700	
	H137225	END	1		
2	W13288	NUT	1		
3	RING	1	(KIT AH129245)	
4	SNAP RING	1	(KIT AH129245)	
5	SEAL	1	(KIT AH129245)	
6	AH87265	SEAL	1	(KIT AH129245)	
7	WASHER	1	(KIT AH129245)	
8	P50635	O-RING	1	(KIT AH129245)	
9	H118198	BEARING	1		
10	H135154	ROD	1		
11	O-RING	1	(KIT AH129245)	
12	RING	1	(KIT AH129245)	
13	H118197	PISTON	1		
14	N33203	LOCK NUT	1		
15	HYDRAULIC CYLINDER BARREL	1	(SUB AH125189)	
16	AH125189	HYDRAULIC CYLINDER	1		
17	R56930	PIN	1		
18	11H237	COTTER PIN	1	1/8" X 2"	
19	AH122234	BRACKET	1		
20	24H1305	WASHER	6	13/32" X 13/16" X 0.065"	
21	19H3239	CAP SCREW	10	3/8" X 1-1/4"	
	12H304	LOCK WASHER	10	3/8"	
	14H1076	NUT	10	3/8"	
22	19H1977	CAP SCREW	1	7/8" X 5"	
	14H809	NUT	1		

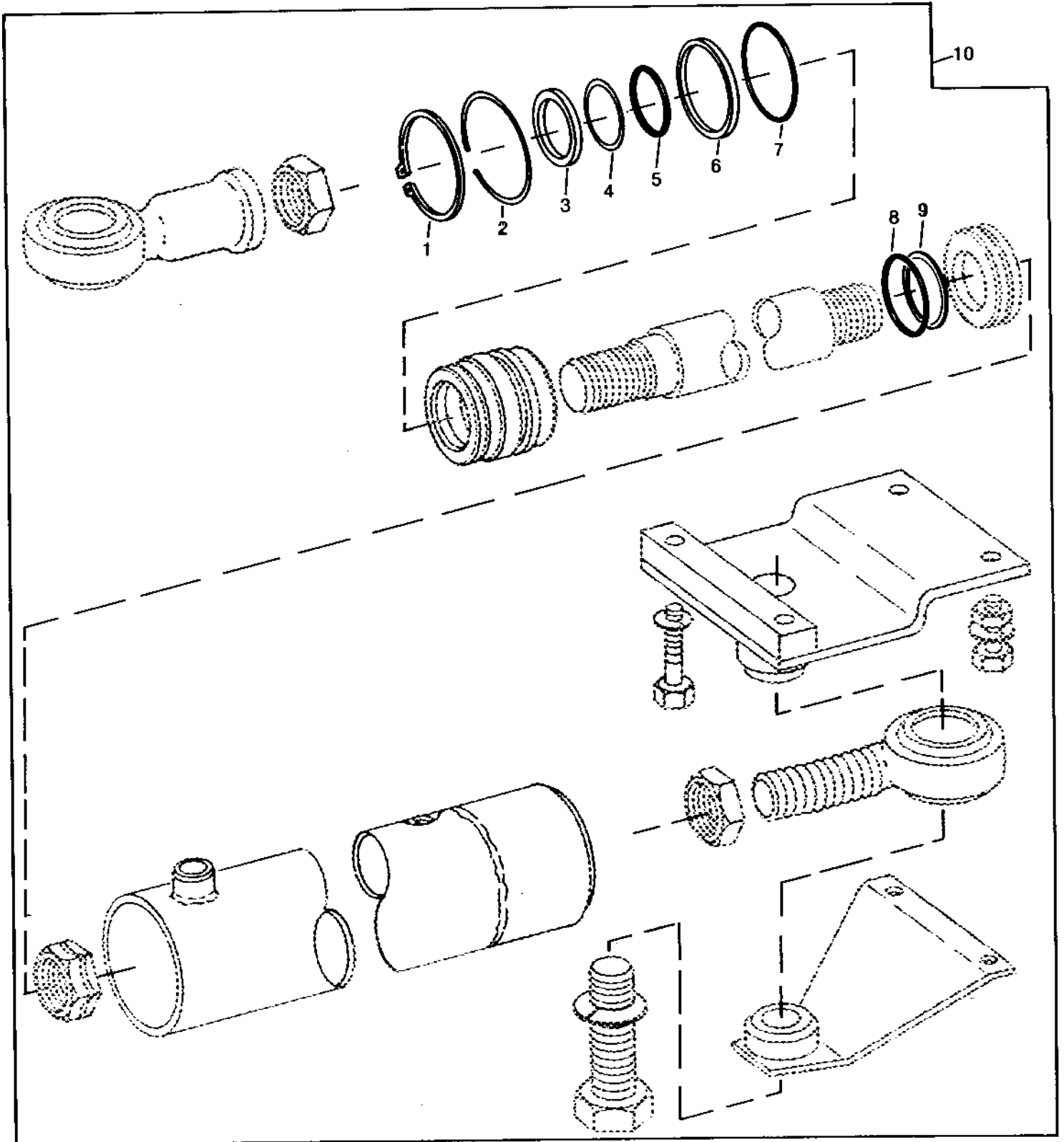
1E22

HYDRAULICS

KIT, UNLOADING AUGER SWING HYDRAULIC CYLINDER
(SERIAL NO. -463600)

HP2114

-UN-01JAN94



HP2114

1E23

HYDRAULICS

KIT, UNLOADING AUGER SWING HYDRAULIC CYLINDER - CONTINUED
(SERIAL NO. -463600)

KEY	PART NO.	PART NAME	QTY	SERIAL NO.	REMARKS
1	SNAP RING	1		
2	RING	1		
3	SEAL	1		
4	WASHER	1		
5	R495R	O-RING	1		
6	WASHER	1		
7	O-RING	1		
8	U15415	O-RING	1		
9	RING	1		
10	AH101192	KIT	1		

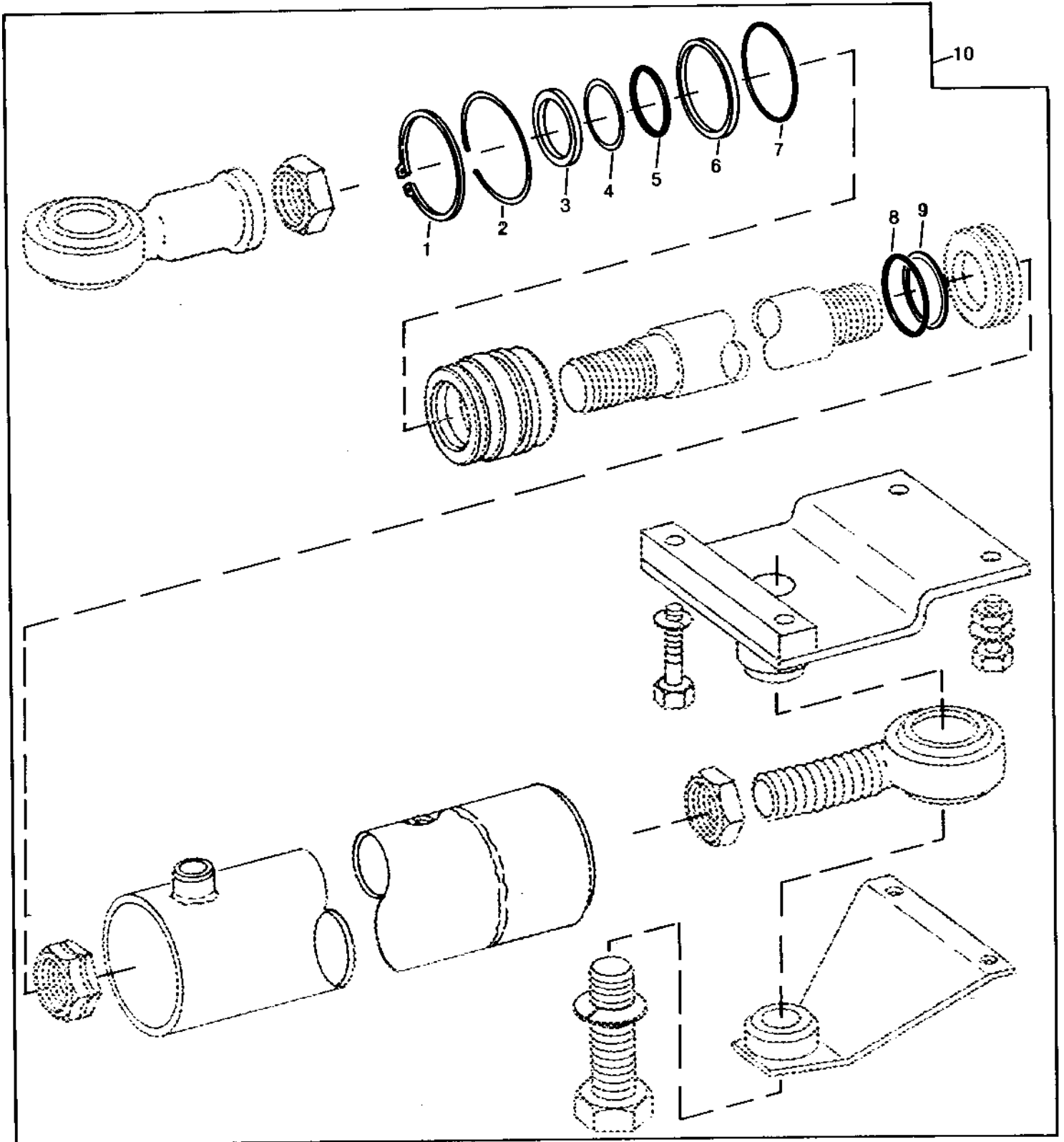
1E24

HYDRAULICS

KIT, UNLOADING AUGER SWING HYDRAULIC CYLINDER
(SERIAL NO. 463601-600000)

HP2114

-UN-01JAN94



HP2114

1E25

HYDRAULICS

KIT, UNLOADING AUGER SWING HYDRAULIC CYLINDER - CONTINUED
(SERIAL NO. 463601-600000)

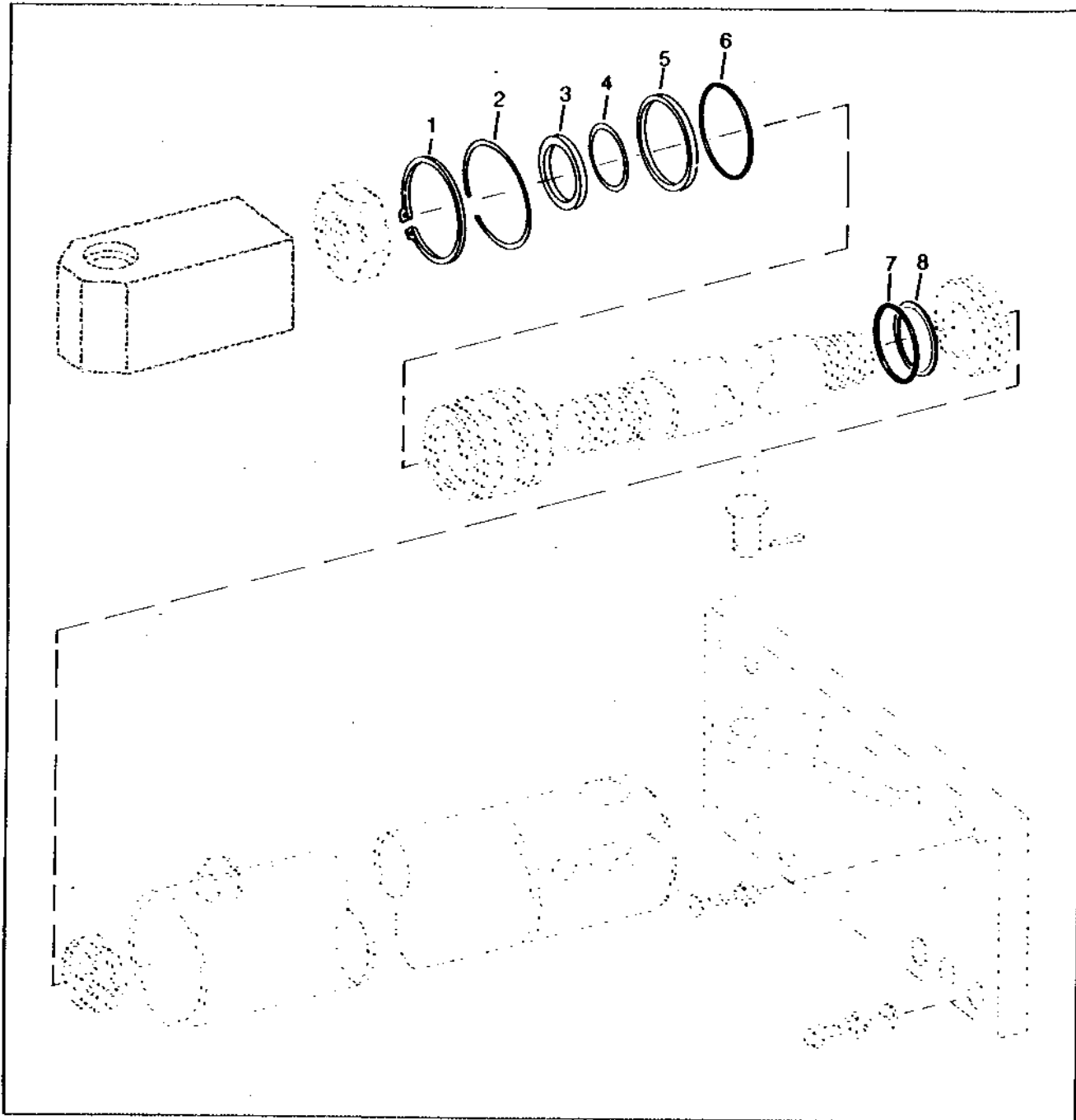
KEY	PART NO.	PART NAME	QTY	SERIAL NO.	REMARKS
1	SNAP RING	1		
2	H31253	SNAP RING	1		
3	SEAL	1		
4	H63913	BACK-UP RING	1		
5	A4730R	O-RING	1		
6	WASHER	1		
7	U15973	O-RING	1		
8	O-RING	1		
9	RING	1		
10	AH107827	KIT	1		

1F1

KIT, UNLOADING AUGER SWING HYDRAULIC CYLINDER
(SERIAL NO. 600001-620800)

HP2935

-UN-01JAN94



HP2935

1F2

HYDRAULICS

KIT, UNLOADING AUGER SWING HYDRAULIC CYLINDER - CONTINUED
(SERIAL NO. 600001-620800)

KEY	PART NO.	PART NAME	QTY	SERIAL NO.	REMARKS
1	RING	1		
2	SNAP RING	1		
3	SEAL	1		
4	AH87265	SEAL	1		
5	WASHER	1		
6	P50635	O-RING	1		
7	O-RING	1		
8	RING	1		
9	AH114900	HYDRAULIC CYLINDER KIT	1		

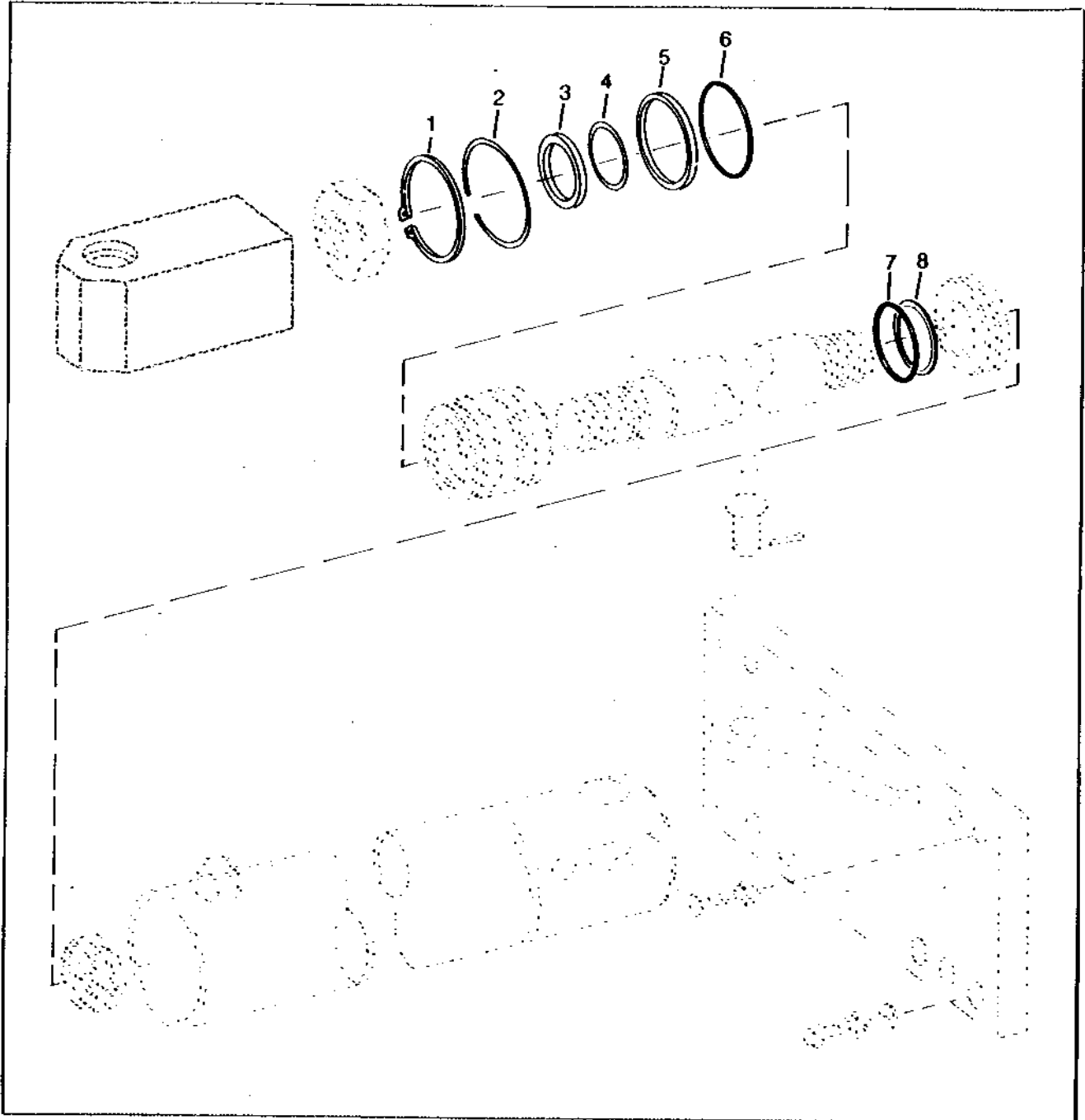
1F3

HYDRAULICS

KIT, UNLOADING AUGER SWING HYDRAULIC CYLINDER
(SERIAL NO. 620801-)

HP2935

-UN-01JAN94



HP2935

1F4

HYDRAULICS

KIT, UNLOADING AUGER SWING HYDRAULIC CYLINDER - CONTINUED
(SERIAL NO. 620801-)

KEY	PART NO.	PART NAME	QTY	SERIAL NO.	REMARKS
1	RING	1		
2	SNAP RING	1		
3	SEAL	1		
4	SEAL	1		
5	WASHER	1		
6	O-RING	1		
7	O-RING	1		
8	RING	1		
9	AH129245	HYDRAULIC CYLINDER KIT	1		

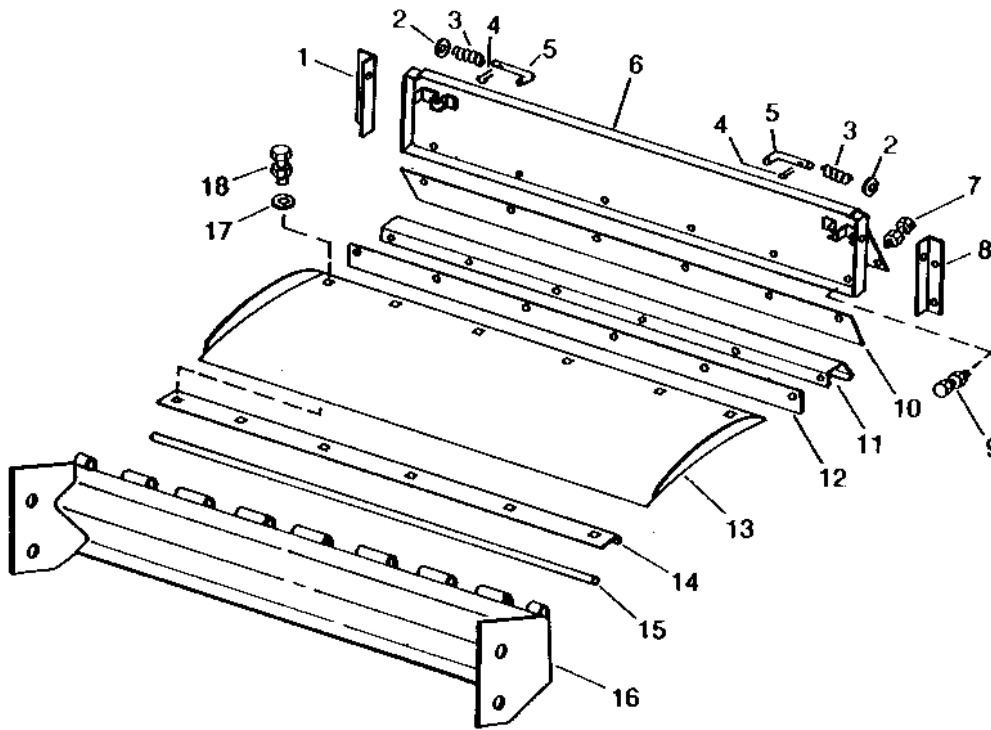
MEMORANDA

1F6

SEPARATOR SHELL

HP2688 -UN-01JAN94

CYLINDER DOOR, SEALS, FEED PLATE, AND STONE TRAP



HP 2688

KEY	PART NO.	PART NAME	QTY	SERIAL NO.	REMARKS
1	H76882	BRACKET	1	-562900	(SUB H112944)
	H112944	BRACKET	1		R.H. FRONT DOOR
2	24H1305	WASHER	2		13/32" X 13/16" X 0.065"
3	HZ5621H	SPRING	2		
4	11H211	COTTER PIN	2		1/8" X 3/4"
5	H76877	PIN	2		
6	AH77073	DOOR	1		
7	03H1540	BOLT	8		5/16" X 3/4"
	12H303	LOCK WASHER	8		5/16"
	14H785	NUT	8		5/16"
8	H76883	BRACKET	1		L.H. FRONT DOOR
9	19H2127	CAP SCREW	8		5/16" X 7/8"
	12H303	LOCK WASHER	8		5/16"
	14H785	NUT	8		5/16"
10	H82633	SEAL	1		CYLINDER DOOR
11	H82631	REINFORCEMENT	1		CYLINDER DOOR
12	H76875	STRAP	1		
13	H94330	PLATE	1	-414100	(SUB H102470)
	H102470	PLATE	1		
14	H82501	HINGE	1		
15	H76221	PIN	1		
16	AH90845	SUPPORT	1		
17	24H1305	WASHER	10		13/32" X 13/16" X 0.065"
18	03H1463	BOLT	10		3/8" X 3/4"
	12H304	LOCK WASHER	10		3/8"
	14H812	NUT	10		3/8"

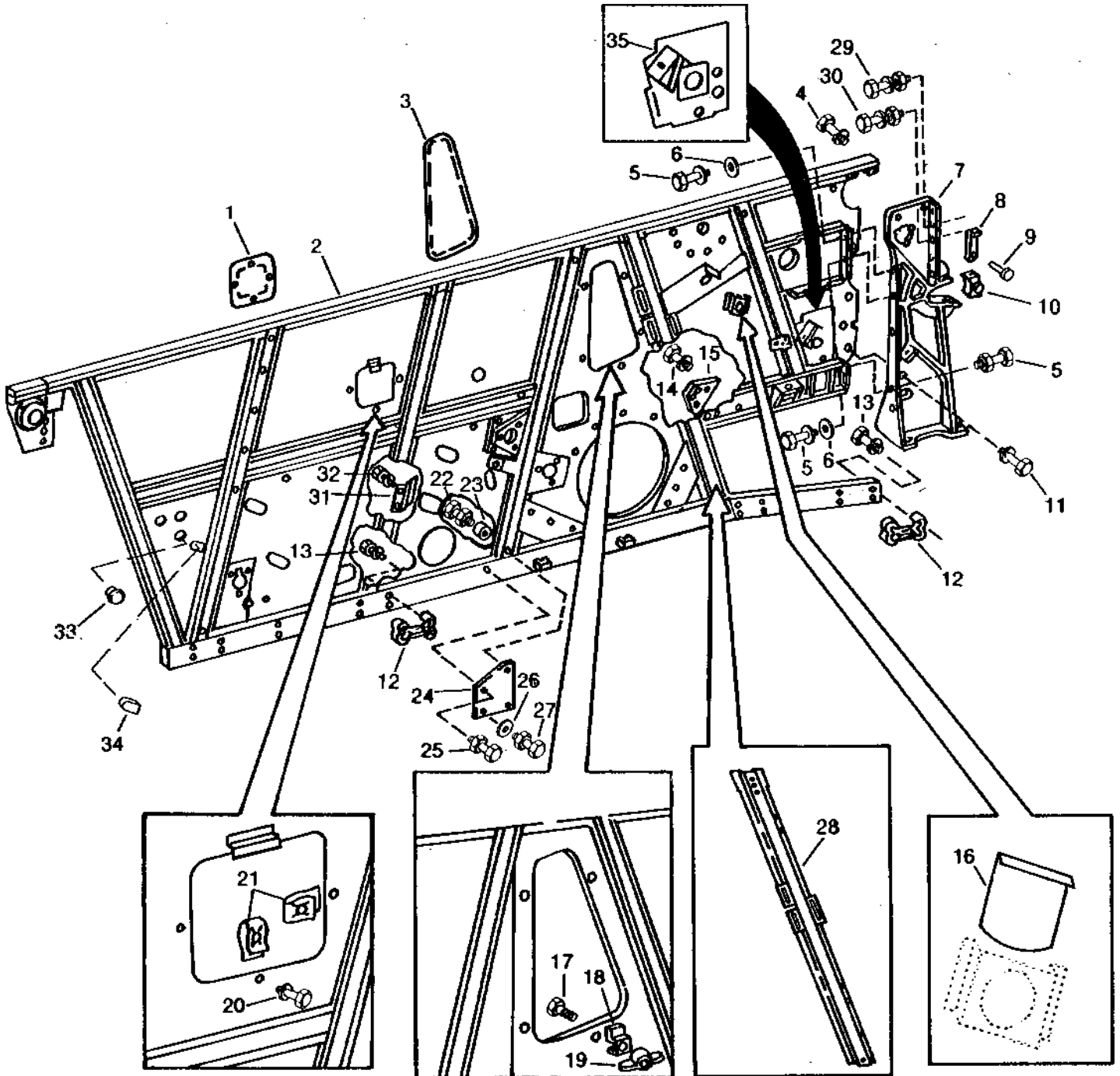
1F7

SEPARATOR SHELL

HP3421

-UN-01JAN94

SEPARATOR RIGHT-HAND SIDE SHEET AND FRAME



HP3421

1F8

SEPARATOR SHELL

SEPARATOR RIGHT-HAND SIDE SHEET AND FRAME - CONTINUED

KEY	PART NO.	PART NAME	QTY	SERIAL NO.	REMARKS
1	AH96624	FRAME	1	-562900	
	AH110685	FRAME	1	562901-600000	(DUAL-RANGE) (SUB AH114798)
	AH114798	FRAME	1	600001-610600	
	AH96624	FRAME	1	610601-	(SINGLE-RANGE)
	AH114890	FRAME	1	610601-625300	(SUB AH129414)
	AH129414	FRAME	1	610601-	
2	H89569	DOOR	1		INSPECTION
	AH96624	FRAME	1	610601-	
3	H76271	DOOR	1		INSPECTION
4	03H1499	BOLT	1		1/2" X 1-1/2"
	12H301	LOCK WASHER	1		1/2"
	14H1040	NUT	1		1/2"
5	19H1815	CAP SCREW	4		1/2" X 1-1/4"
	12H301	LOCK WASHER	4		1/2"
	14H1040	NUT	4		1/2"
6	24H1111	WASHER	2		17/32" X 1-1/16" X 0.090"
7	H92437	SUPPORT	1	-463600	(SUB H102566)
	H102566	POST	1	-600000	(SUB H117704)
	H117704	POST	1		
8	P47415	KEY	1	-463600	
	H102567	KEY	1	463601-	
9	19H2020	CAP SCREW	1		5/16" X 1/2"
	12H303	LOCK WASHER	1		5/16"
10	H10835	RETAINER	1		
11	09H1590	BOLT	3		3/8" X 1-1/2"
	12H304	LOCK WASHER	3		3/8"
	14H812	NUT	3		3/8"
12	H83115	SPACER	1		
13	19H1945	CAP SCREW	3		1/2" X 3-1/4"
	12H301	LOCK WASHER	3		1/2"
	14H1040	NUT	3		1/2"
14	19H1731	CAP SCREW	4		3/8" X 1"
	12H304	LOCK WASHER	4		3/8"
	14H812	NUT	4		3/8"
15	H82545	GUSSET	1		
16	H89544	DOOR	1		INSPECTION
17	03H1540	BOLT	5		5/16" X 3/4"
18	P47159	CLAMP	5		
19	14H819	WING NUT	5		5/16"
20	19H1227	CAP SCREW	3		1/4" X 1/2"
	12H302	LOCK WASHER	3		1/4"
21	P41706	NUT	1		SPEED
22	19H1800	CAP SCREW	1		3/8" X 1-1/2"
	12H304	LOCK WASHER	1		3/8"
	14H812	NUT	1		3/8"
23	P43454	BUSHING	1		
24	H92654	PLATE	1		
25	19H1868	CAP SCREW	1		1/2" X 3-3/4"
	12H301	LOCK WASHER	1		1/2"
	14H1040	NUT	1		1/2"
26	24H1305	WASHER	2		13/32" X 13/16" X 0.065"
27	19H1732	CAP SCREW	2		3/8" X 1-1/4"
	12H304	LOCK WASHER	2		3/8"
	14H812	NUT	2		3/8"
28	AH115448	BRACKET	1	-513892	(ASSEMBLY)
29	19H1815	CAP SCREW	1		1/2" X 1-1/4"
	12H301	LOCK WASHER	1		1/2"
	14H1040	NUT	1		1/2"
30	19H1815	CAP SCREW	1	-600000	
	03H1746	BOLT	1	600001-	
	12H301	LOCK WASHER	1		
	14H1040	NUT	1		
31	AH118212	BRACKET	1	610601-	
32	H65108	SCREW	2	610601-	SELF-TAPPING
33	R52233	PLUG	1	-610600	(HARVESTFLO CONVERSION ONLY)
34	H128077	PLUG	1		(HARVESTFLO)
35	AH129411	SUPPORT	1	610601-	

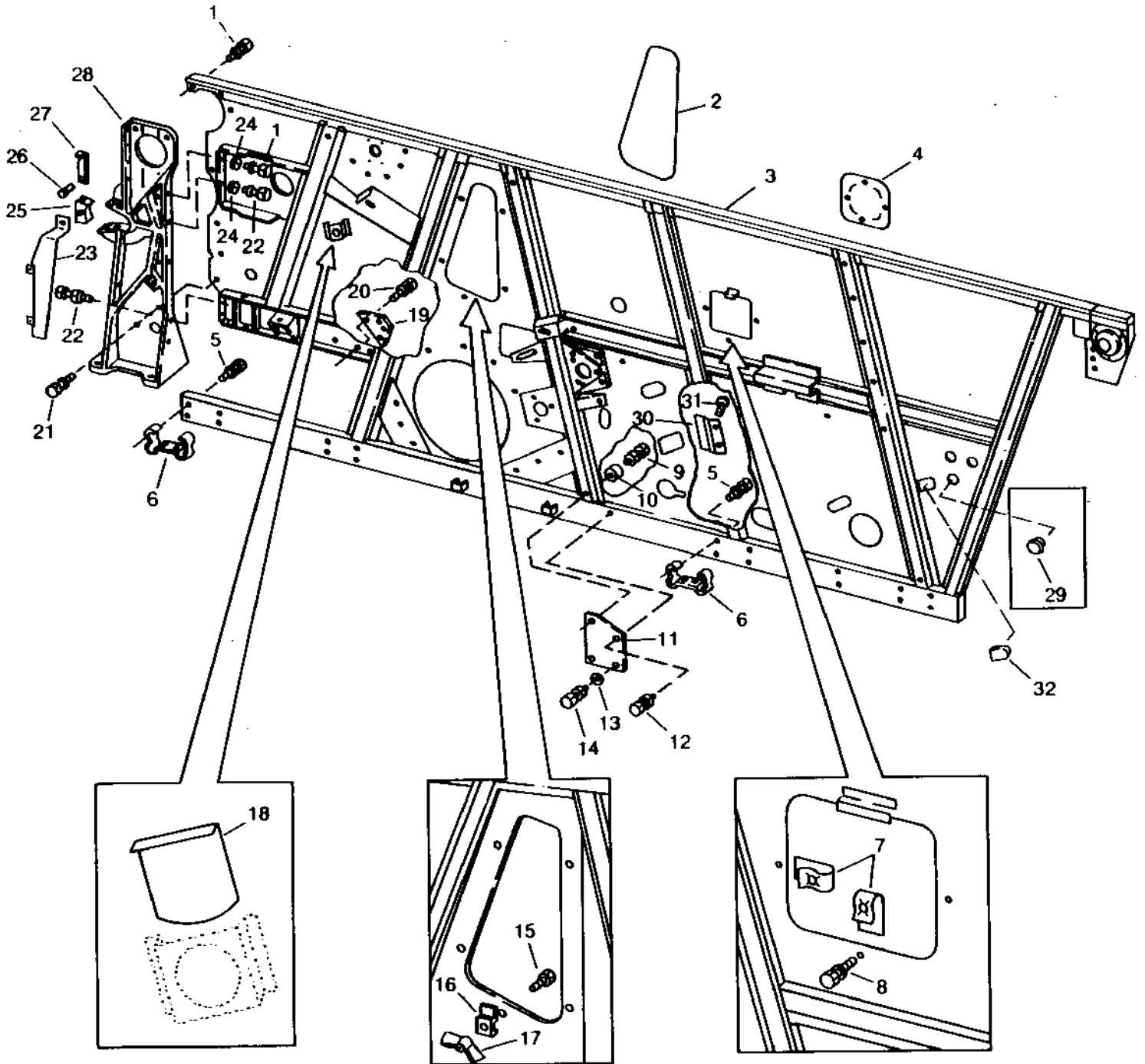
1F9

SEPARATOR SHELL

HP2727

-UN-01JAN94

SEPARATOR LEFT-HAND SIDE SHEETS AND FRAME



HP 2727

1F10

SEPARATOR SHELL

SEPARATOR LEFT-HAND SIDE SHEETS AND FRAME - CONTINUED

KEY	PART NO.	PART NAME	QTY	SERIAL NO.	REMARKS
1	19H1815	CAP SCREW	2		1/2" X 1-1/4"
	12H301	LOCK WASHER	2		1/2"
	14H1040	NUT	2		1/2"
2	H76271	DOOR	1		INSPECTION
3	AH96625	FRAME	1	-513100	(SUB AH108246)
	AH108246	FRAME	1	-600000	(SUB AH115272)
	AH115272	FRAME	1	-600000	(SUB AH114799)
	AH114799	FRAME	1	-610600	
	AH114891	FRAME	1	610601-	
4	H89569	DOOR	1		INSPECTION
5	19H1820	CAP SCREW	4		1/2" X 3"
	12H301	LOCK WASHER	4		1/2"
	14H1040	NUT	4		1/2"
6	H83115	SPACER	4		
7	P41706	NUT	3		
8	19H1227	CAP SCREW	3		1/4" X 1/2"
	12H302	LOCK WASHER	3		1/4"
9	19H1800	CAP SCREW	1		3/8" X 1-1/2"
	12H304	LOCK WASHER	1		3/8"
	14H812	NUT	1		3/8"
10	P43454	BUSHING	1		
11	H92654	PLATE	1		
12	19H1945	CAP SCREW	1		1/2" X 3-1/4"
	12H301	LOCK WASHER	1		1/2"
	14H1040	NUT	1		1/2"
13	24H1305	WASHER	2		13/32" X 13/16" X 0.065"
14	19H1732	CAP SCREW	2		3/8" X 1-1/4"
	12H304	LOCK WASHER	2		3/8"
	14H812	NUT	2		3/8"
15	03H1540	BOLT	5		5/16" X 3/4"
16	P47159	CLAMP	5		
17	14H819	WING NUT	1		5/16"
18	H89544	DOOR	1		INSPECTION
19	H82546	GUSSET	1		
20	19H1731	CAP SCREW	4		3/8" X 1"
	12H304	LOCK WASHER	4		3/8"
	14H812	NUT	4		3/8"
21	09H1590	BOLT	3		3/8" X 1-1/2"
	12H304	LOCK WASHER	3		3/8"
	14H812	NUT	3		3/8"
22	19H1721	CAP SCREW	3		1/2" X 1-1/2"
	12H301	LOCK WASHER	3		1/2"
	14H1040	NUT	3		1/2"
23	H99235	GUARD	1		
24	24H1111	WASHER	2		17/32" X 1-1/16" X 0.090"
25	H10835	RETAINER	1		
26	19H2020	CAP SCREW	1		5/16" X 1/2"
	12H303	LOCK WASHER	1		5/16"
27	P47415	KEY	1	-463600	
	H102567	KEY	1	463601-	
28	H92436	SUPPORT	1	-463600	(SUB H102565)
	H102565	POST	1		
29	R52233	PLUG	1	-610600	(HARVESTFLO CONVERSION ONLY)
30	AH118212	BRACKET	1	610601-	
31	H65108	SCREW	2	610601-	SELF-TAPPING
32	H128077	PLUG	1		(HARVESTFLO)

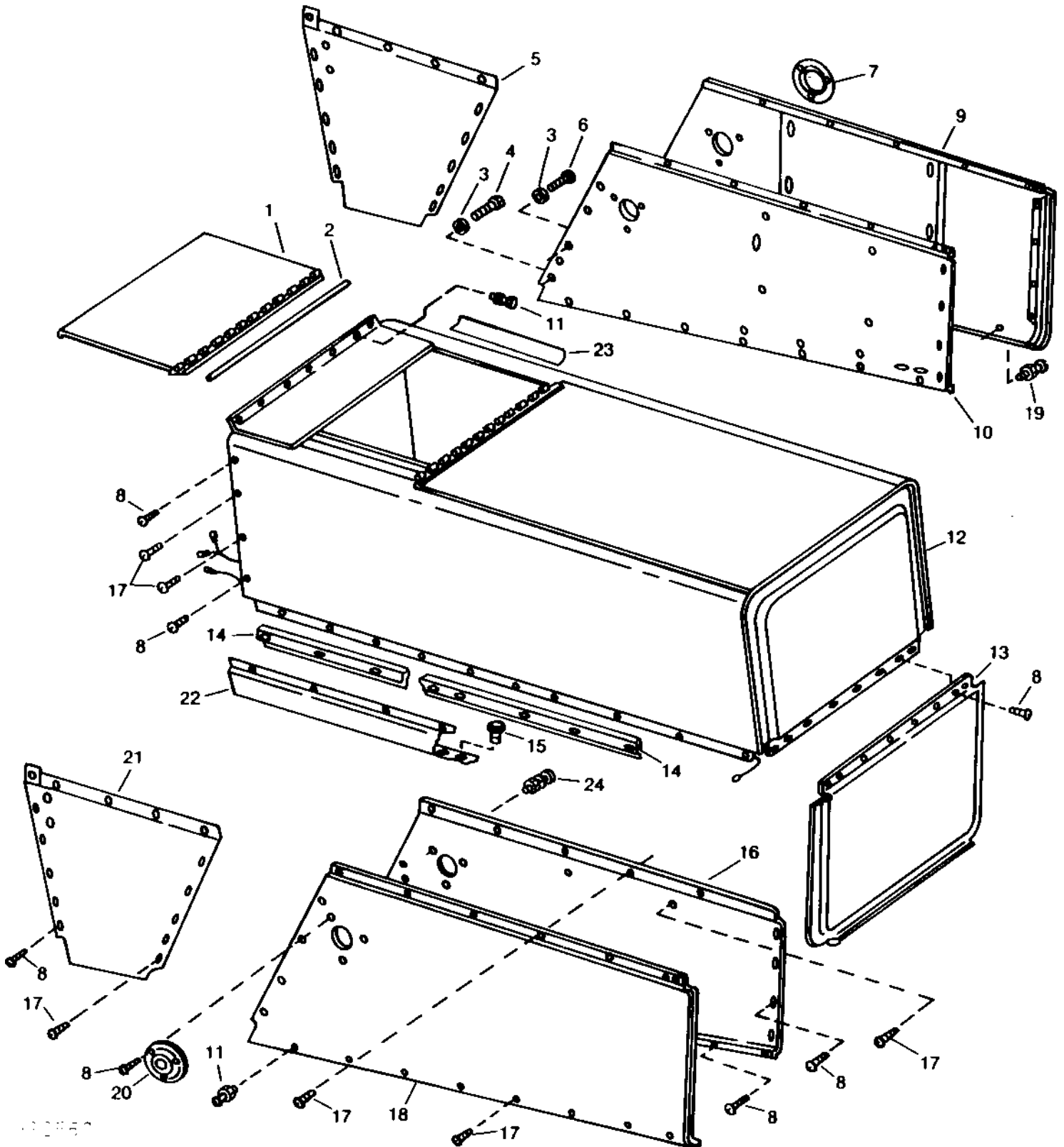
1F11

SEPARATOR SHELL

HP2562

-UN-01JAN94

REAR HOOD



HP2562

1F12

SEPARATOR SHELL

REAR HOOD - CONTINUED

KEY	PART NO.	PART NAME	QTY	SERIAL NO.	REMARKS
1	AH75082	DOOR	1	-463600	
	AH75081	DOOR	1	463601-	
2	H86290	PIN	1	-463600	
	H75290	PIN	1	463601-	
3	24H1136	WASHER	10		11/32" X 11/16" X 0.065"
4	19H1905	CAP SCREW	4		5/16" X 1"
	12H303	LOCK WASHER	4		5/16"
5	H98274	SHEET	1	-610600	R.H., FRONT, BOTTOM
	H118184	SHEET	1	610601-	R.H., FRONT, BOTTOM
6	21H1070	SCREW	6		5/16" X 7/8"
	12H303	LOCK WASHER	6		5/16"
	14H785	NUT	6		5/16"
7	H76805	COVER	1	-562900	R.H.
	H99297	COVER	1	562901-	R.H.
8	H65108	SCREW	AR		SELF-TAPPING
9	AH96728	SHEET	1		R.H., OUTER, REAR, BOTTOM
10	AH96734	SHEET	1		R.H., INNER, REAR, BOTTOM
11	N10212	SELF-LOCKING SCREW	AR		
	N10213	LOCK NUT	AR		
12	AH96727	HOOD	1	-463600	(SUB AH108350)
	AH108350	HOOD	1		
13	AH96737	SHEET	1		
14	H97931	SUPPORT	2		
15	19H1813	CAP SCREW	10		5/16" X 5/8"
	12H303	LOCK WASHER	10		5/16"
	14H785	NUT	10		5/16"
16	AH96735	SHEET	1		L.H., INNER, REAR, BOTTOM
17	H76139	SCREW	AR		
18	AH96729	SHEET	1		L.H., OUTER, REAR, BOTTOM
19	N71292	SELF-LOCKING SCREW	AR		
	N10213	LOCK NUT	AR		
20	H83386	COVER	1	-562900	(SUB H99297)
	H99297	COVER	1		L.H.
21	H98275	SHEET	1	-610600	L.H., FRONT, BOTTOM
	H118185	SHEET	1	610601-	L.H., FRONT, BOTTOM
22	H98276	SHEET	1		R.H., INNER, FRONT
	H98277	SHEET	1		L.H., INNER, FRONT
23	H109607	REINFORCEMENT	2		
24	21H1027	SCREW	6		1/4" X 3/4"
	12H302	LOCK WASHER	6		1/4"
	14H786	NUT	6		1/4"

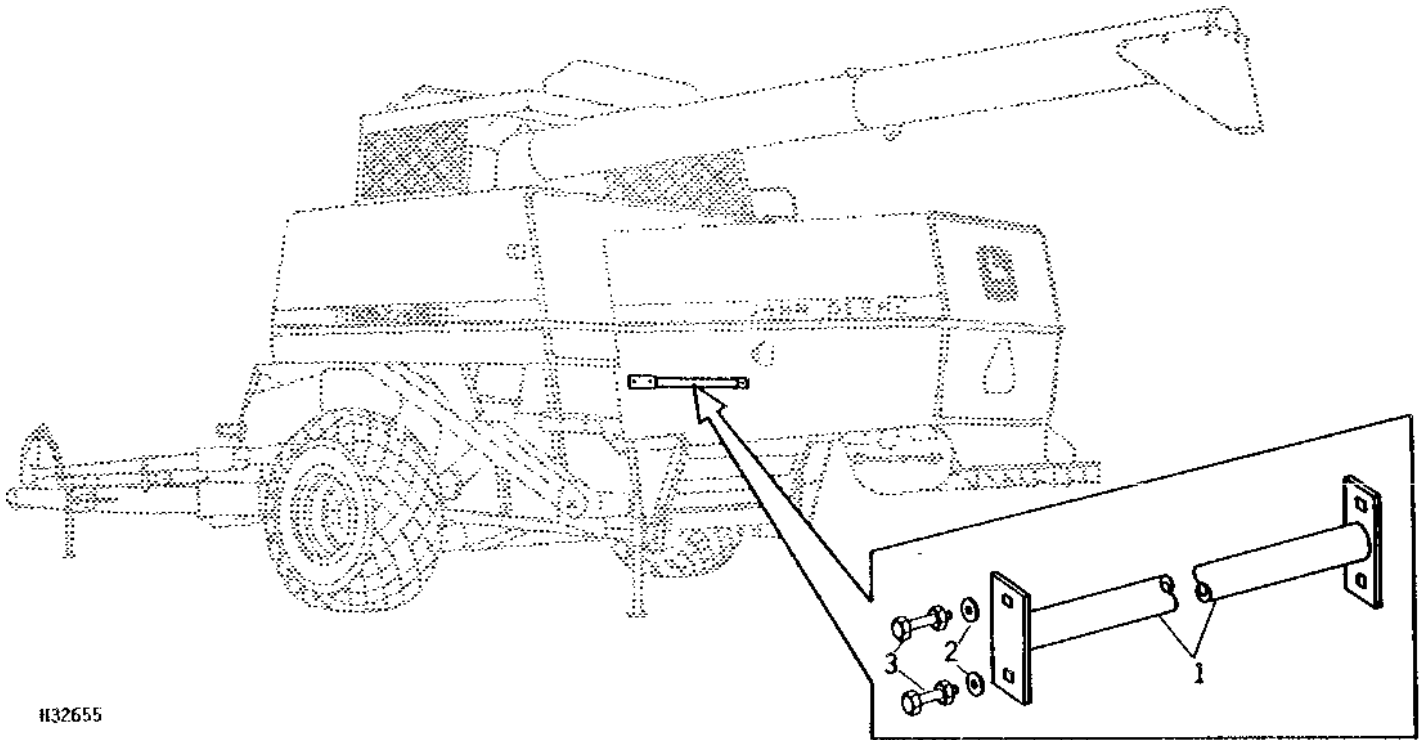
1F13

SEPARATOR SHELL

H32655

-UN-01JAN94

REAR HOOD SUPPORT ROD



H32655

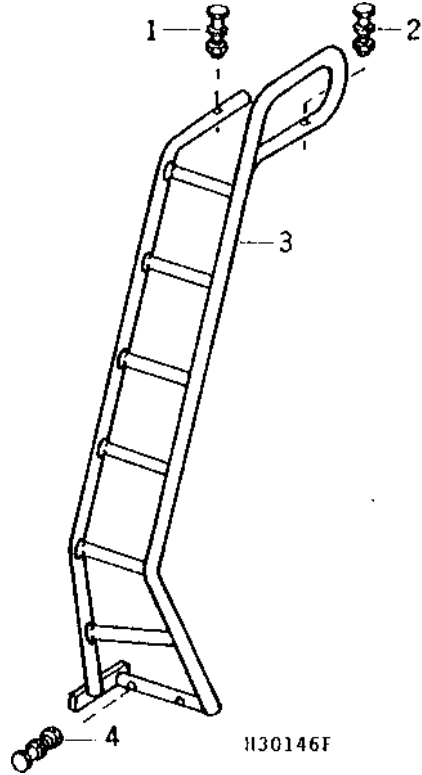
KEY	PART NO.	PART NAME	QTY	SERIAL NO.	REMARKS
1	AH75335	BRACE	1		
2	24H1305	WASHER	2		13/32" X 13/16" X 0.065"
3	19H1732	CAP SCREW	4		3/8" X 1-1/4"
	12H304	LOCK WASHER	4		3/8"
	14H812	NUT	4		3/8"

1F14

SEPARATOR SHELL

H30146F -UN-01JAN94

REAR LADDER



KEY	PART NO.	PART NAME	QTY	SERIAL NO.	REMARKS
1	19H1731	CAP SCREW	1	3/8" X 1"	
	12H304	LOCK WASHER	1	3/8"	
	14H812	NUT	1	3/8"	
2	19H1801	CAP SCREW	1	3/8" X 2"	
	12H304	LOCK WASHER	1	3/8"	
	14H812	NUT	1	3/8"	
3	AH99645	LADDER	1		
4	19H1708	CAP SCREW	4	5/8" X 1-3/4"	
	12H294	LOCK WASHER	4	5/8"	
	14H1039	NUT	4	5/8"	

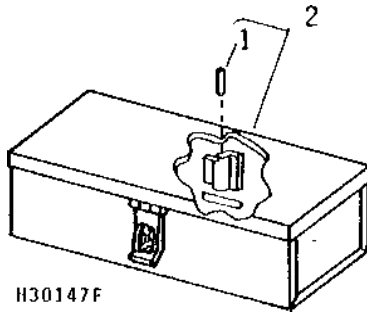
MEMORANDA

1F15

SEPARATOR SHELL

H30147F -UN-01JAN94

TOOL BOX



H30147F

KEY	PART NO.	PART NAME	QTY	SERIAL NO.	REMARKS
1	34H94	SPRING PIN	1	7/32" X 1-3/4"	
2	AH84966	TOOLBOX	1		

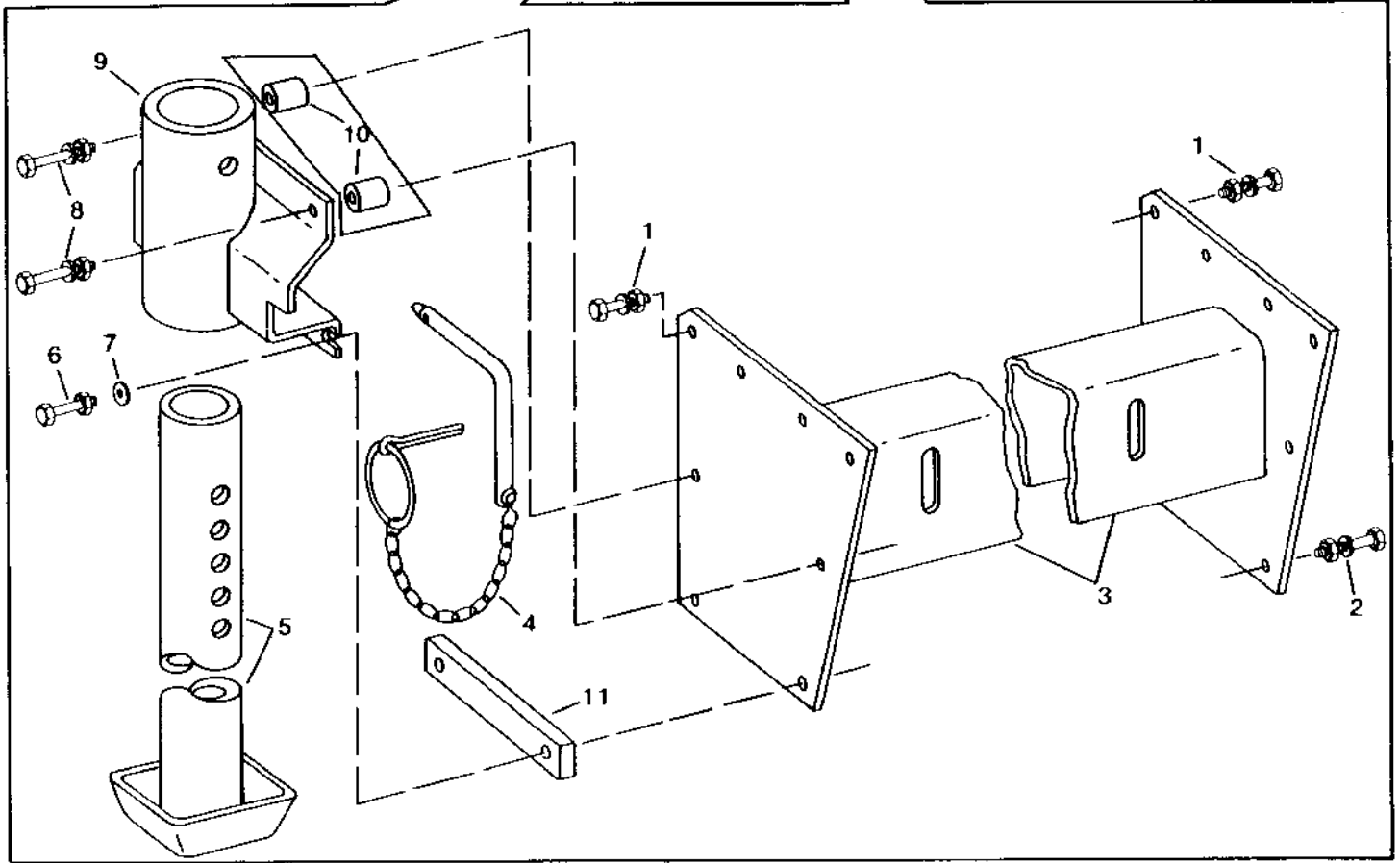
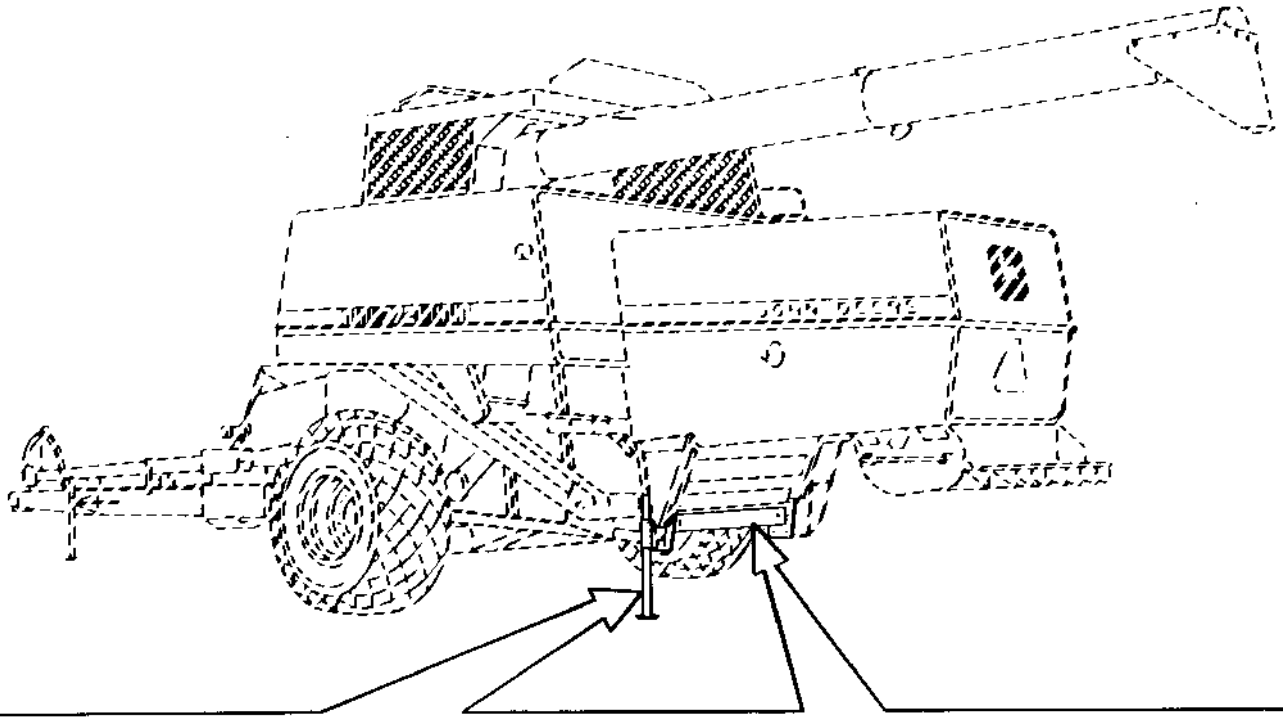
1F16

SEPARATOR SHELL

HP2700

-UN-01JAN94

REAR JACKSTAND AND TUBE SUPPORT



HP2700

1F17

SEPARATOR SHELL

REAR JACKSTAND AND TUBE SUPPORT - CONTINUED

KEY	PART NO.	PART NAME	QTY	SERIAL NO.	REMARKS
1	19H2626	CAP SCREW	10		5/8" X 4-3/4"
	12H304	LOCK WASHER	10		3/8"
	14H812	NUT	10		3/8"
2	19H1708	CAP SCREW	2		5/8" X 1-3/4"
	12H294	LOCK WASHER	2		5/8"
	14H1039	NUT	2		5/8"
3	AH98948	SUPPORT	1		
4	AH93745	PIN	1		
5	AH92579	STAND	1		
6	19H1734	CAP SCREW	2	-610600	5/8" X 2", (SUB 19H1890)
	19H1890	CAP SCREW	2		5/8" X 2-3/4"
	12H294	LOCK WASHER	2		5/8"
	14H1039	NUT	2		5/8"
7	24H1368	WASHER	2		21/32" X 1-5/16" X 0.090"
8	19H2128	CAP SCREW	2	-610600	3/8" X 3", (SUB 19H2228)
	19H2228	CAP SCREW	2		3/8" X 4"
	12H304	LOCK WASHER	2		3/8"
	14H812	NUT	2		3/8"
9	AH94846	BRACKET	1		
10	28H1528	SPACER	1	-610600	3/8" X 1-5/8"
11	H129309	STRAP	1		

MEMORANDA

1F18

HEADERS--REFER TO INDIVIDUAL HEADER PARTS CATALOGS

FOR INDIVIDUAL HEADER PARTS CATALOGS, REFER TO:

PC-1223 - PARTS CATALOG FOR JOHN DEERE 40 SERIES CORN HEADS

PC-1549 - PARTS CATALOG FOR JOHN DEERE 50 SERIES ROW-CROP HEADS

PC-1747 - PARTS CATALOG FOR JOHN DEERE 50A SERIES ROW-CROP HEADS

PC-1189 - PARTS CATALOG FOR JOHN DEERE THREE-ROLLER BELT PICKUPS

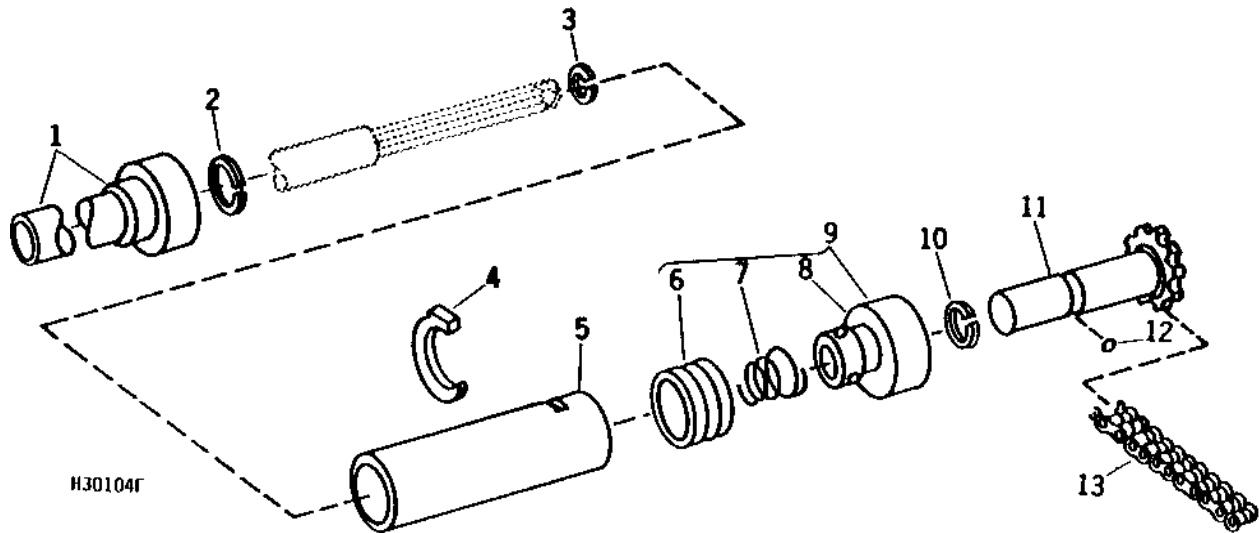
MEMORANDA

1F20

FEEDER HOUSE

H30104F -UN-01JAN94

QUIK-TATCH COUPLER AND SHIELD (RIGHT-HAND SIDE)



KEY	PART NO.	PART NAME	QTY	SERIAL NO.	REMARKS
1	SHIELD	1		(CUT FROM AH89028)
2	H28865	SNAP RING	1		
3	H80926	SNAP RING	1		
4	H22039	UNIVERSAL JOINT BEARING	2	-415847	(SUB E62951)
	E62951	UNIVERSAL JOINT BEARING	2		
5	H87725	SHIELD	1		
6	COVER	1		
7	SPRING	1		
8	RETAINER	1		
9	AH89038	QUICK COUPLER	1		
10	H25360	SNAP RING	1		
11	AN102382	CHAIN SPROCKET	1		14 TEETH
12	N104243	BALL	3		
13	AN102383	LINK CHAIN	1		

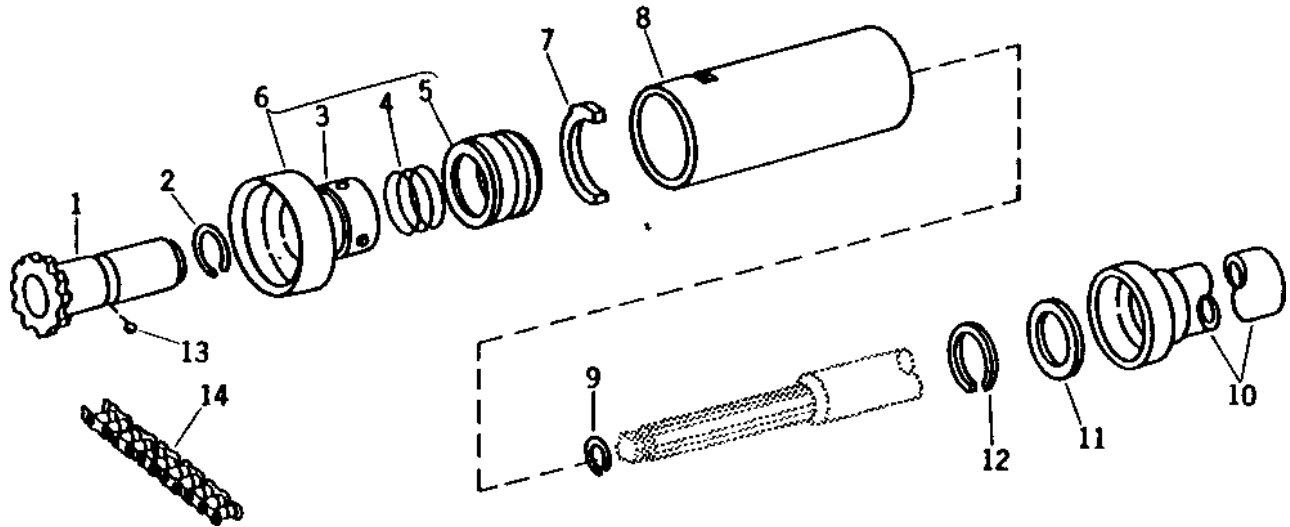
MEMORANDA

1F21

FEEDER HOUSE

H30102F -UN-01JAN94

QUIK-TATCH COUPLER AND SHIELD (LEFT-HAND SIDE)



KEY	PART NO.	PART NAME	QTY	SERIAL NO.	REMARKS
1	AN102382	CHAIN SPROCKET	1		14 TEETH
2	H25360	SNAP RING	1		
3	RETAINER	1		(SUB AH89038)
4	SPRING	1		(SUB AH89038)
5	COVER	1		(SUB AH89038)
6	AH89038	QUICK COUPLER	1		
7	H22039	UNIVERSAL JOINT BEARING	2	-414244	(SUB E62951)
	E62951	UNIVERSAL JOINT BEARING	2		
8	H89052	SHIELD	1		
9	H80926	SNAP RING	1		
10	SHIELD	1		(CUT FROM AH89028)
11	24H1667	WASHER	1		1-17/64" X 2-1/4" X 0.075"
12	H87452	SNAP RING	1		
13	N104243	BALL	3		
14	AN102383	LINK CHAIN	1		

NOTE: SHIELD IS FOR USE WITH 444 AND 543 CORN HEADS.

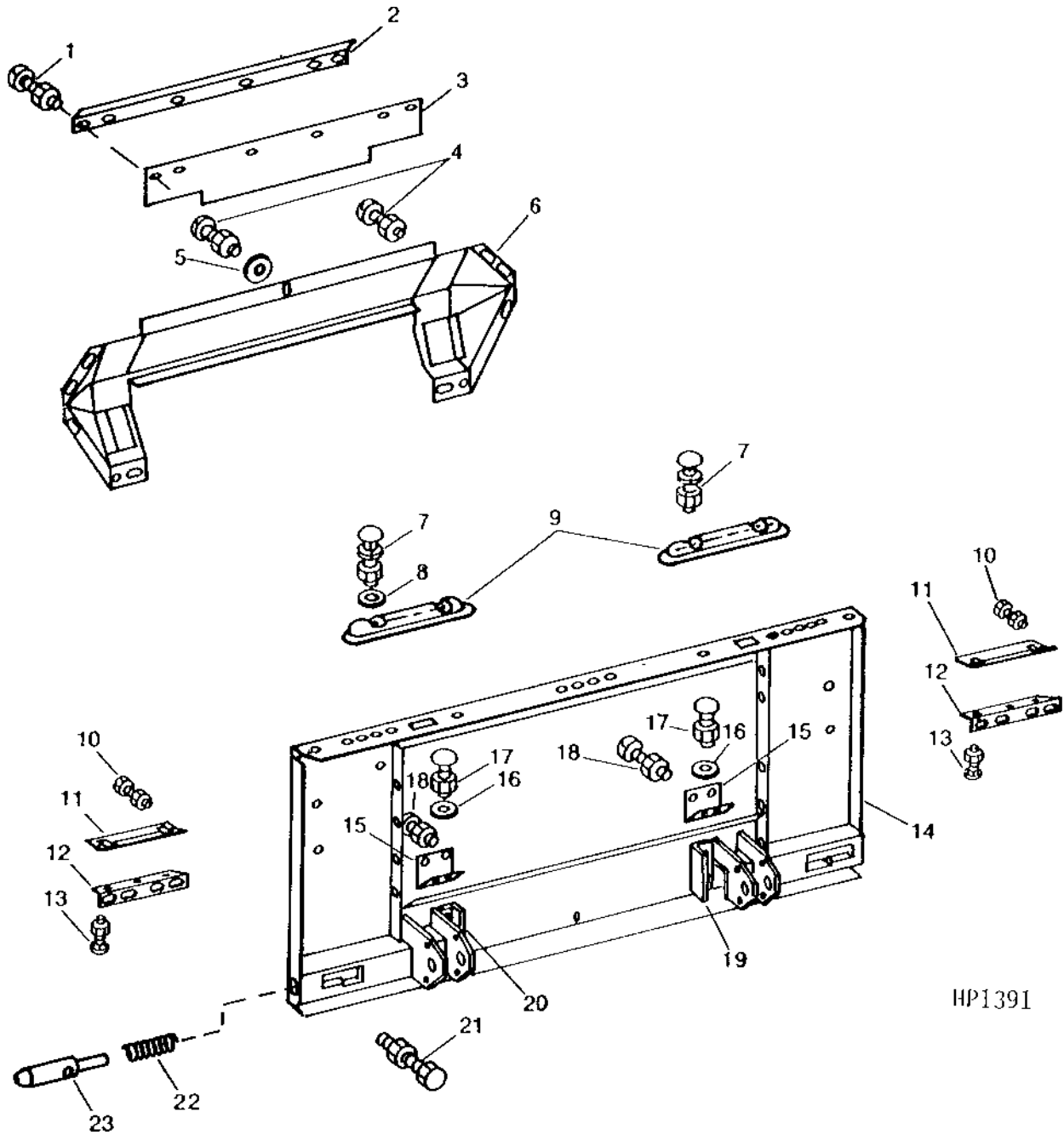
1F22

FEEDER HOUSE

HP1391

-UN-01JAN94

FEEDER HOUSE FRONT SHEETS



HP1391

1F23

FEEDER HOUSE

FEEDER HOUSE FRONT SHEETS - CONTINUED

KEY	PART NO.	PART NAME	QTY	SERIAL NO.	REMARKS
1	21H1321	SCREW	6	3/8" X 3/4"	
	N10215	LOCK NUT	6		
2	H83741	STRIP	1		
3	H83742	DEFLECTOR	1		
4	21H1304	SCREW	7	5/16" X 3/4"	
	14H785	NUT	7	5/16"	
5	24H1136	WASHER	1	11/32" X 11/16" X 0.065"	
6	AH84659	SHIELD	1		
7	03H1439	BOLT	4	1/2" X 1-3/4"	
	12H301	LOCK WASHER	4	1/2"	
	14H1040	NUT	4	1/2"	
8	24H1111	WASHER	4	17/32" X 1-1/16" X 0.090"	
9	H93556	CLAMP	2		
10	21H1030	SCREW	8	3/8" X 3/4"	
	N10215	LOCK NUT	8		
11	H87765	STRIPPER	2		
12	H87766	SUPPORT	2		
13	03H1765	BOLT	8	3/8" X 3/4"	
	N10215	LOCK NUT	8		
14	AH91732	SHEET	1		
15	H77575	STRIP	2		
16	24H1305	WASHER	4	13/32" X 13/16" X 0.065"	
17	03H1519	BOLT	4	3/8" X 1"	
	14H812	NUT	4	3/8"	
18	21H1321	SCREW	2	3/8" X 3/4", (USE WITH CONVEYOR SHIELD EXTENSIONS)	
	N10215	LOCK NUT	2		
19	H80772	REINFORCEMENT	1	R.H. (USE WITH HEADERS PRIOR TO HEADER SERIAL NO. 365601)	
20	H80773	REINFORCEMENT	1	L.H. (USE WITH HEADERS PRIOR TO HEADER SERIAL NO. 365601)	
21	19H3189	CAP SCREW	1	1/2" X 3"	
	14H826	NUT	1	1/2"	
22	124424	SPRING	2		
23	H89360	PIN	2		

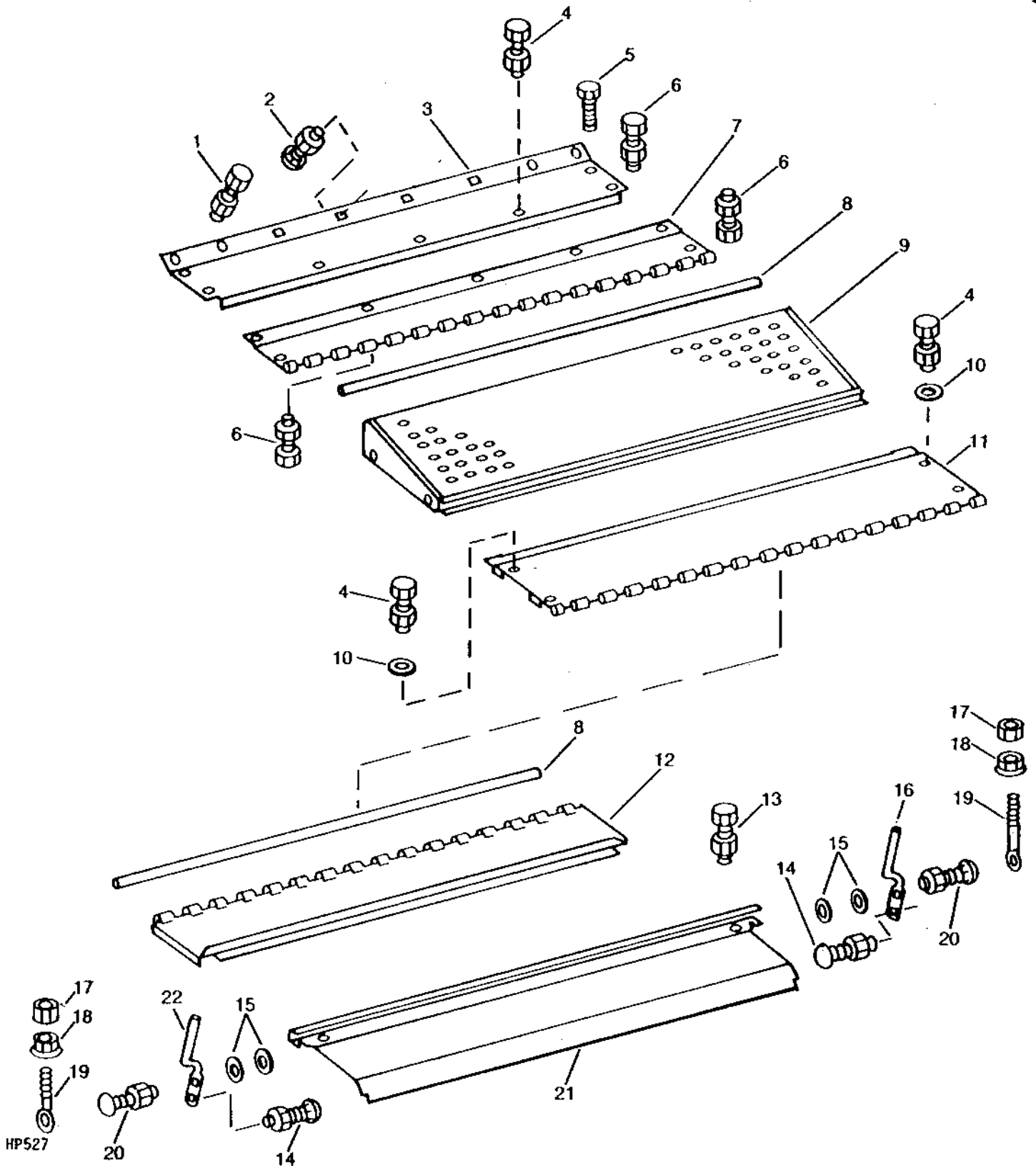
1F24

FEEDER HOUSE

HP527

-UN-01JAN94

FEEDER HOUSE TOP SHEETS



1F25

FEEDER HOUSE

FEEDER HOUSE TOP SHEETS - CONTINUED

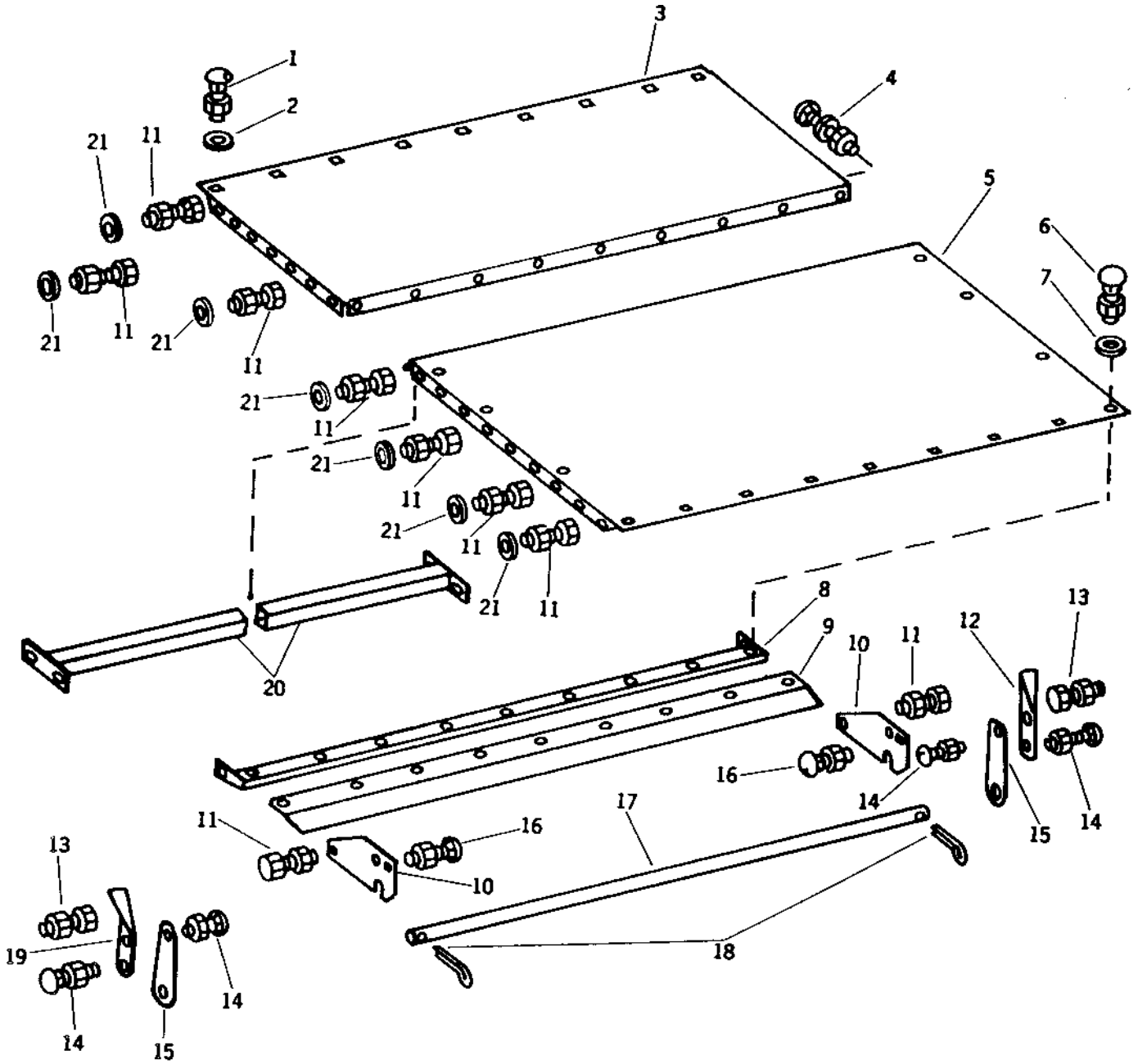
KEY	PART NO.	PART NAME	QTY	SERIAL NO.	REMARKS
1	03H1659	BOLT	2		1/2" X 1"
	12H301	LOCK WASHER	2		1/2"
	14H1040	NUT	2		1/2"
2	10H1026	BOLT	14		3/8" X 1"
	14H812	NUT	14		3/8"
3	H82698	SUPPORT	1		
4	19H1813	CAP SCREW	3		5/16" X 5/8"
	14H785	NUT	3		5/16"
5	21H1029	SCREW	2	-414100	5/16" X 3/4", (SUB M66314, THIS APPLICATION)
	M66314	SCREW	2		
6	19H1900	CAP SCREW	10		5/16" X 3/4"
	14H785	NUT	10		5/16"
7	H82696	SHEET	1		FRONT
8	H76223	PIN	2		
9	AH76271	DOOR	1		
10	24H1136	WASHER	4		11/32" X 11/16" X 0.065"
11	AH76273	SHEET	1		REAR
12	AH77686	DOOR	1		MIDDLE
13	19H2021	CAP SCREW	2		3/8" X 5/8"
	12H304	LOCK WASHER	2		3/8"
	14H812	NUT	2		3/8"
14	03H1524	BOLT	2		5/16" X 1"
	H76696	LOCK NUT	2		
15	24H1136	WASHER	6		11/32" X 11/16" X 0.065"
16	H78624	LEVER	1		R.H.
17	14H611	NUT	2		5/16"
18	N10213	LOCK NUT	2		
19	H76683	EYEBOLT	2		
20	09H1696	BOLT	2		5/16" X 1-1/4"
	H76696	LOCK NUT	2		
21	AH77687	DOOR	1	-562900	(SUB AH111188)
	AH111188	DOOR	1		REAR
22	H76701	LEVER	1		L.H.

1G1

FEEDER HOUSE

H29996F -UN-01JAN94

FEEDER HOUSE BOTTOM SHEETS



H29996F

1G2

FEEDER HOUSE

FEEDER HOUSE BOTTOM SHEETS - CONTINUED

KEY	PART NO.	PART NAME	QTY	SERIAL NO.	REMARKS
1	03H1519	BOLT	9	3/8" X 1"	
	12H304	LOCK WASHER	9	3/8"	
	14H812	NUT	9	3/8"	
2	24H1305	WASHER	13	13/32" X 13/16" X 0.065"	
3	AH88599	PLATE	1		
4	03H1765	BOLT	11	3/8" X 3/4"	
	12H304	LOCK WASHER	11	3/8"	
	14H812	NUT	11	3/8"	
5	AH83620	SHEET	1		
6	09H1649	BOLT	9	5/16" X 3/4"	
	12H303	LOCK WASHER	9	5/16"	
	14H785	NUT	9	5/16"	
7	24H1136	WASHER	9	11/32" X 11/16" X 0.065"	
8	AH80939	REINFORCEMENT	1		
9	H98034	COVER	1		
10	H93170	BRACKET	2		
11	19H1732	CAP SCREW	22	3/8" X 1-1/4"	
	12H304	LOCK WASHER	22	3/8"	
	14H812	NUT	22	3/8"	
12	H76690	HANDLE	1	R.H.	
13	19H1900	CAP SCREW	2	5/16" X 3/4"	
	14H785	NUT	2	5/16"	
14	21H1226	SCREW	4	5/16" X 7/8"	
	H76696	LOCK NUT	4		
15	H93166	LATCH	2		
16	03H1463	BOLT	2	3/8" X 3/4"	
	12H304	LOCK WASHER	2	3/8"	
	14H812	NUT	2	3/8"	
17	H96838	TUBE	1		
18	11H213	COTTER PIN	2	3/16" X 1-3/4"	
19	H76700	HANDLE	1	L.H.	
20	AH78883	REINFORCEMENT	2		
21	24H1305	WASHER	20	13/32" X 13/16" X 0.065"	

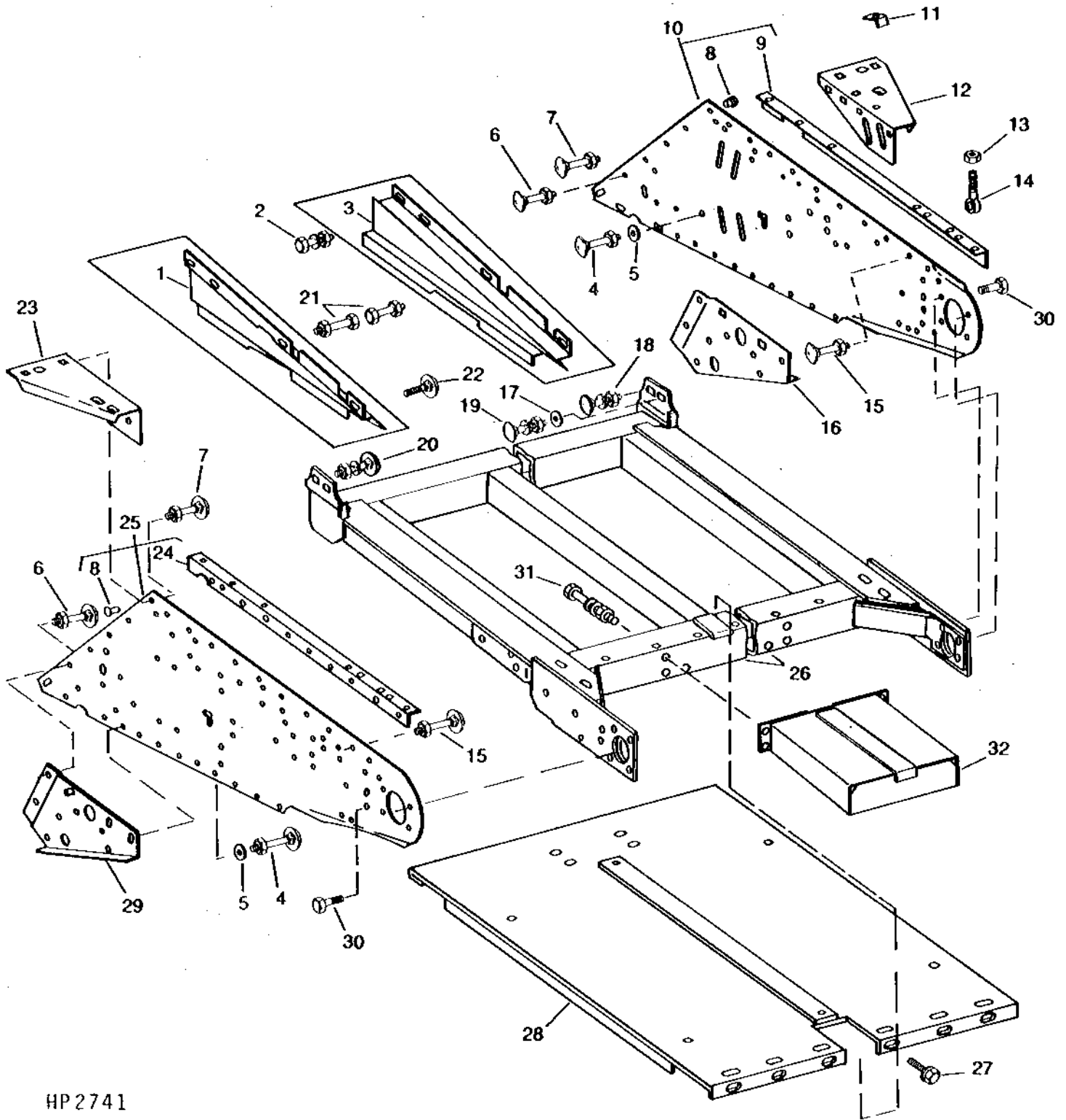
1G3

FEEDER HOUSE

HP2741

-UN-01JAN94

REGULAR FEEDER HOUSE SIDE SHEETS AND FRAME



HP 2741

REGULAR FEEDER HOUSE SIDE SHEETS AND FRAME - CONTINUED

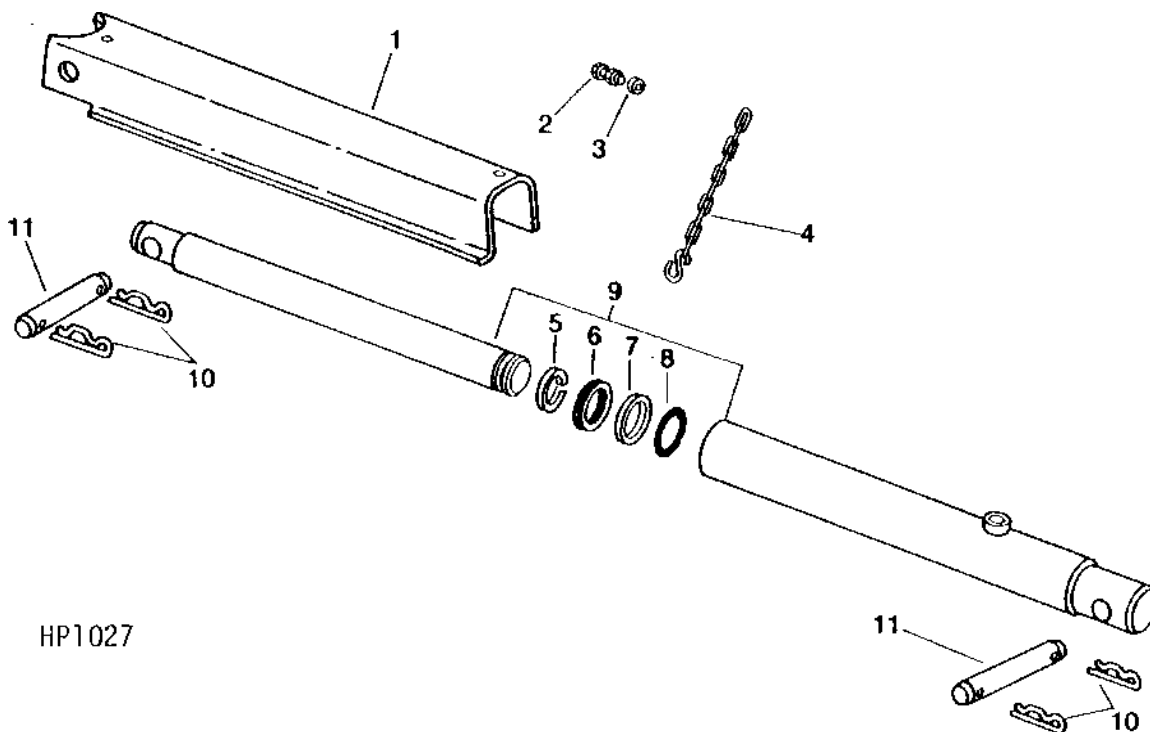
KEY	PART NO.	PART NAME	QTY	SERIAL NO.	REMARKS
1	H83824	SHIELD	1	-562900	INNER, L.H.
2	21H1029	SCREW	4		5/16" X 3/4"
	12H303	LOCK WASHER	4		5/16"
	14H785	NUT	4		5/16"
3	H83823	SHIELD	1	-562900	INNER, R.H.
4	03H1522	BOLT	2		1/2" X 1-1/4"
	12H301	LOCK WASHER	2		1/2"
5	24H1312	WASHER	2		13/32" X 1-3/8" X 0.105"
6	03H1268	BOLT	8		5/16" X 3/4"
	14H785	NUT	8		5/16"
7	03H1463	BOLT	4		3/8" X 3/4"
	14H812	NUT	4		3/8"
8	16H658	RIVET	16		1/4" X 5/8"
	16H697	RIVET	2		1/4" X 1"
9	H98042	ANGLE	1		R.H.
10	AH95280	SHEET	1	-414100	R.H., WITH ANGLE
	AH105292	SHEET	1	-562900	(SUB FOR AH101608)
	AH111700	SHEET	1	562901-610600	
	AH117525	SHEET	1	610601-	R.H.
11	H88767	SPACER	1	-414100	
	H102691	SPACER	1	414101-	
12	H102678	BRACE	1		R.H. (SUB FOR H77563)
13	14H1040	NUT	1		1/2"
14	H25438	EYEBOLT	1	-414100	
	H102690	EYEBOLT	1	414101-	
15	03H1709	BOLT	2		5/16" X 1"
	14H785	NUT	2		5/16"
16	H101717	REINFORCEMENT	1		R.H.
17	24H1111	WASHER	3	-414100	17/32" X 1-1/16" X 0.090"
	24H1371	WASHER	1	414101-	
18	03H1522	BOLT	3	-414100	1/2" X 1-1/4"
	12H301	LOCK WASHER	3	-414100	1/2"
	14H1040	NUT	3	-414100	1/2"
	03H1603	BOLT	1	414101-	
	12H294	LOCK WASHER	1	414101-	
	14H1039	NUT	1	414101-	
19	03H1439	BOLT	1	-414100	1/2" X 1-3/4"
	12H301	LOCK WASHER	1	-414100	1/2"
	14H1040	NUT	1	-414100	1/2"
	03H1801	BOLT	1	414101-	
	12H294	LOCK WASHER	1	414101-	
	14H1039	NUT	1	414101-	
20	03H1522	BOLT	4	-414100	
	12H301	LOCK WASHER	4	-414100	
	14H1040	NUT	4	-414100	
	03H1801	BOLT	2	414101-	
	12H294	LOCK WASHER	2	414101-	
	14H1039	NUT	2	414101-	
21	21H1304	SCREW	8		5/16" X 3/4"
	14H785	NUT	8		5/16"
22	21H1137	SCREW	1	-513350	5/16" X 1-1/4"
	21H1235	SCREW	1	513351-	5/16" X 1-3/4"
23	H102713	BRACE	1		L.H. (SUB FOR H77538)
24	H98043	ANGLE	1		L.H.
25	AH91750	SHEET	1	-414100	(SUB AH102726)
	AH102726	SHEET	1	-463600	(SUB AH105293)
	AH105293	SHEET	1	-562900	L.H., WITH ANGLE
	AH111701	SHEET	1	562901-610600	
	AH117526	SHEET	1	610601-	L.H.
26	AH101152	FRAME	1	-562900	(SUB FOR AH96467)
	AH111146	FRAME	1	562901-620300	
	AH124959	FRAME	1	620301-	
27	H65108	SCREW	1		SELF-TAPPING
28	AH94033	SHEET	1	-562900	
	AH111180	BOTTOM	1	562901-620300	
	AH124954	BOTTOM	1	620301-	FALSE BOTTOM
29	H101718	REINFORCEMENT	1		L.H.
30	19H1792	CAP SCREW	4		1/2" X 1"
31	12H304	LOCK WASHER	6	562901-	3/8"
	14H812	NUT	6	562901-	3/8"
	19H2205	CAP SCREW	6	562901-	3/8" X 6"
	24H1305	WASHER	4	562901-	13/32" X 13/16" X 0.065"
32	AH123769	BOTTOM	1	562901-	(BOTTOM SHEET)(DEALER INSTALLED)

1G5

FEEDER HOUSE

HP1027 -UN-01JAN94

HEADER LIFT HYDRAULIC CYLINDER



HP1027

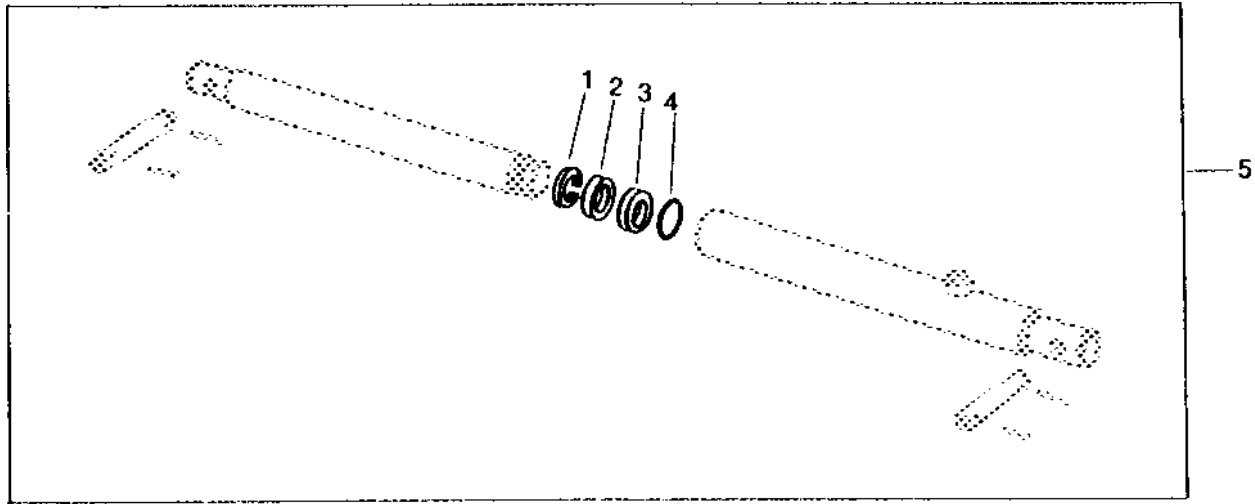
KEY	PART NO.	PART NAME	QTY	SERIAL NO.	REMARKS
1	H83225	STOP	1	(L.H.)	
2	19H1900	CAP SCREW	1	5/16" X 3/4"	
	14H785	NUT	1	5/16"	
3	24H1136	WASHER	1	11/32" X 11/16" X 0.065"	
4	AH20203	LINK CHAIN	1		
5	SNAP RING	1	(KIT AH78775)	
6	SEAL	1	(KIT AH78775)	
7	WASHER	1	(KIT AH78775)	
8	O-RING	1	(KIT AH78775)	
9	AH75516	HYDRAULIC CYLINDER	1	-610601	(SUB AH122880, THIS APPLICATION) (REMANUFACTURED)
	AH122880	HYDRAULIC CYLINDER	1		
10	H95042	COTTER PIN	4		
11	H95041	PIN	2	-513100	(SUB H112109)
	H112109	PIN	2		
..	AH78775	SEAL KIT	1		

NOTE: QUANTITIES SHOWN ARE FOR ONE UNIT. TWO UNITS USED PER MACHINE.

1G6

HP1021 -UN-01JAN94

KIT, HEADER LIFT HYDRAULIC CYLINDER



HP1021

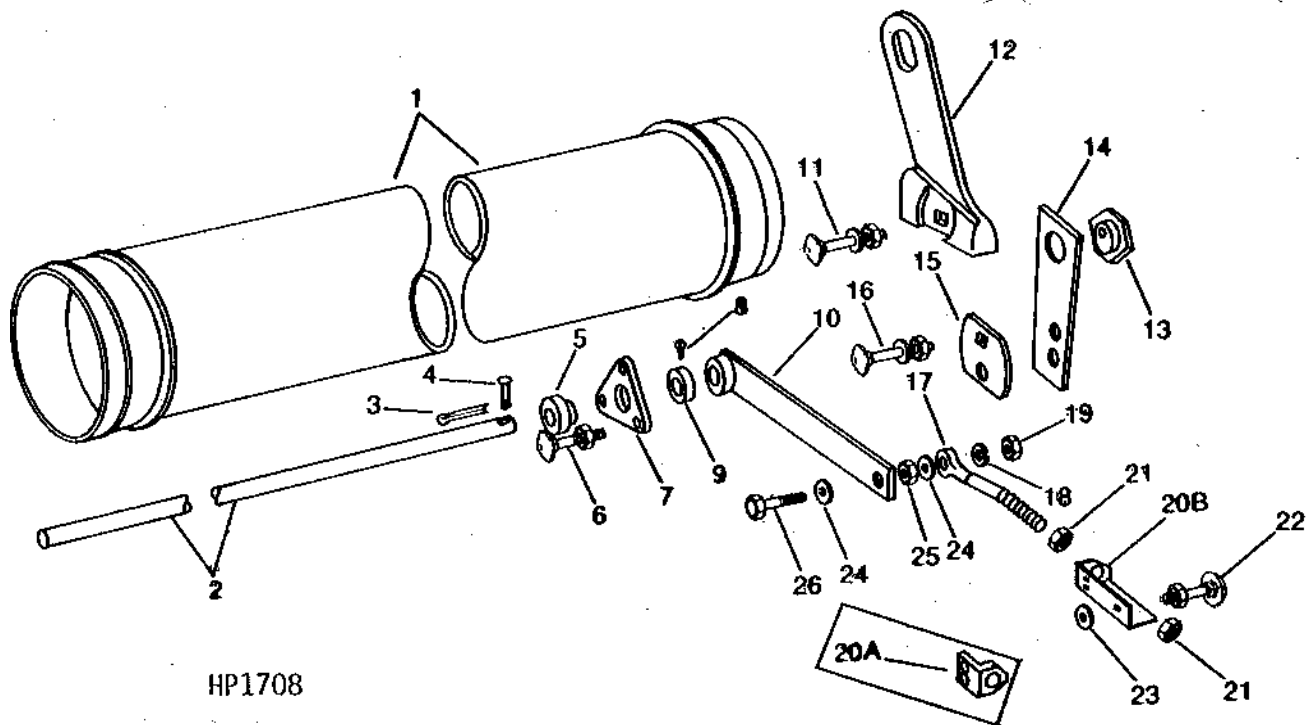
KEY	PART NO.	PART NAME	QTY	SERIAL NO.	REMARKS
1	SNAP RING	1		
2	SEAL	1		
3	WASHER	1		
4	O-RING	1		
5	AH78775	SEAL KIT	1		

1G7

FEEDER HOUSE

HP1708 -UN-01JAN94

FEEDER CONVEYOR IDLER SHAFT AND FEEDER DRUM



HP1708

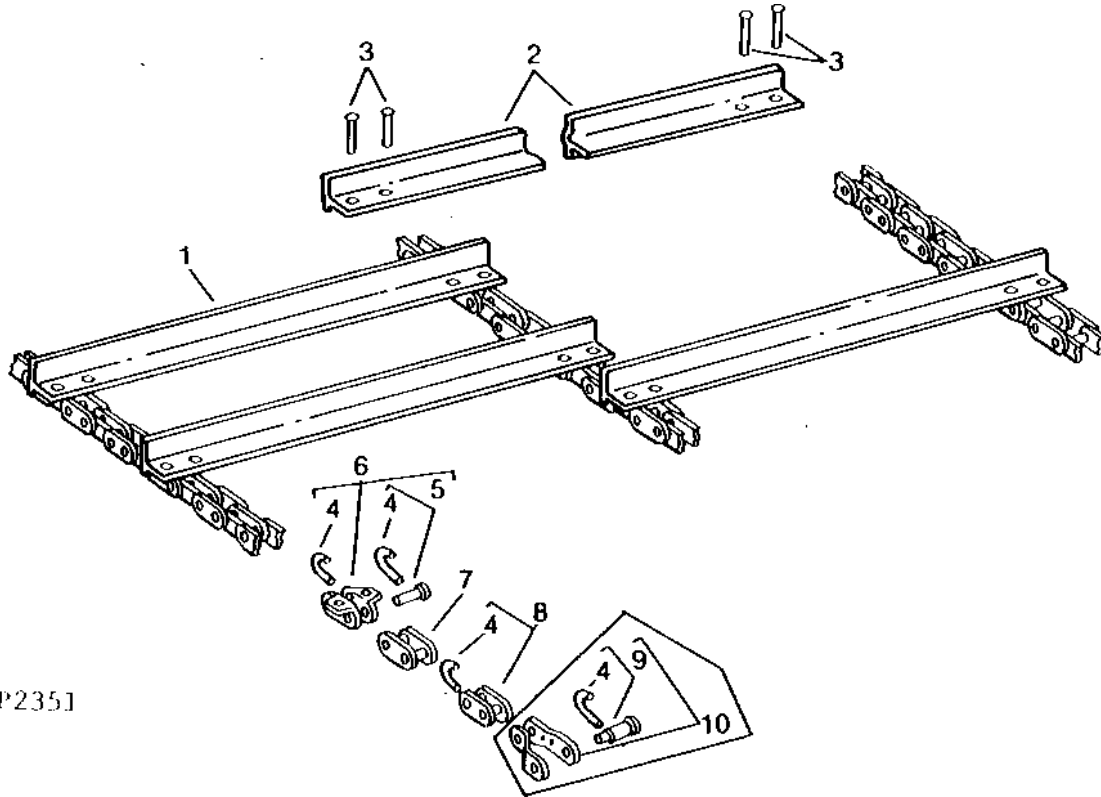
KEY	PART NO.	PART NAME	QTY	SERIAL NO.	REMARKS
1	AH84646	DRUM	1		
2	H77755	PIN	1		
3	11H211	COTTER PIN	2		
4	H81710	PIN	2		1/8" X 3/4"
5	JD8665	BALL BEARING	2		
6	03H1500	BOLT	6		3/8" X 1"
	14H812	NUT	6		3/8"
7	H80806	HOUSING	2		
8	22H897	SET SCREW	2		1/4" X 1/4"
9	JD8554	ECCENTRIC LOCKING COLLAR	2		
10	AH79728	ARM	2	-610600	
	AH116698	ARM	2	610601-	
11	03H1439	BOLT	2		1/2" X 1-3/4"
	12H301	LOCK WASHER	2		1/2"
	14H1040	NUT	2		1/2"
12	H84945	STOP	1		(R.H.)
	H84946	STOP	1		(L.H.)
13	H97322	CAM	2		
14	H84942	PLATE	2		
15	H84944	STOP	2		
16	H84943	BOLT	2		
	12H301	LOCK WASHER	2		1/2"
	14H1040	NUT	2		1/2"
17	H76694	EYEBOLT	2	-610600	(SUB H118582, THIS APPLICATION)
	H118582	EYEBOLT	2		
18	12H301	LOCK WASHER	2		1/2"
19	14H1040	NUT	2		1/2"
20A	H81074	CLIP	2	-562900	
20B	AH96641	BRACKET	2	562901-	
21	14H1039	NUT	4		5/8"
22	03H1540	BOLT	4	-562900	5/16" X 3/4"
	14H785	NUT	4	-562900	5/16"
	03H1709	BOLT	6	562901-	5/16" X 1"
	12H303	LOCK WASHER	6	562901-	5/16"
	14H785	NUT	6	562901-	5/16"
23	24H1293	WASHER	6	562901-	11/32" X 1-1/16" X 0.120"
24	24H1162	WASHER	4		17/32" X 1-1/4" X 0.060"
25	H81277	BUSHING	2		
26	H31381	BOLT	2		

1G8

FEEDER HOUSE

HP2351 -UN-01JAN94

FEEDER CONVEYOR CHAIN



HP2351

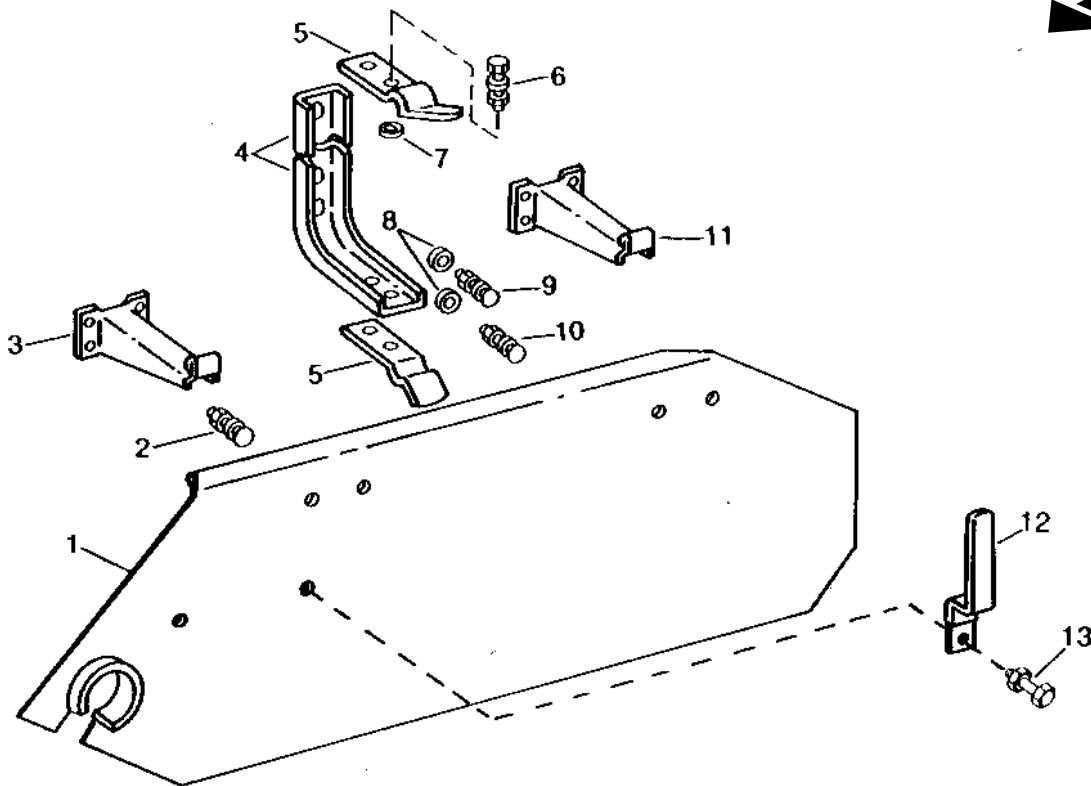
KEY	PART NO.	PART NAME	QTY	SERIAL NO.	REMARKS
1	AH84941	CONVEYOR	1	-463600	(42 SLATS) (SUB AH94562)
	AH94562	CONVEYOR	1	-563124	(28 SLATS) (SUB AH112326)
	AH112326	CONVEYOR	1	-610600	(28 SLATS) (SUB AH116716, (3) AH84241 AND (3) C10233)
	AH116716	CONVEYOR	1	-615300	(28 SLATS) (REGULAR) (WIDE-SPACED)
	AH123451	CONVEYOR	1	615301-	(42 SLATS) (REGULAR) (CLOSED-SPACED)
	AH116716	CONVEYOR	1		(28 SLATS) (REGULAR) (WIDE-SPACED)
2	H84497	SLAT	42	-463600	(5/16" RIVET) (CLOSED-SPACED)
	H95651	SLAT	28	463601-563124	
	H84497	SLAT	28	563125-	(5/16" RIVET)
	H84497	SLAT	42		(5/16" RIVET)
3	16H1083	RIVET	AR		5/16" X 5/8", (4 USED PER SLAT)
4	H84026	HOOK	1		
5	AC14974	PIN	1	-463600	
6	AH83426	CHAIN LINK	1	-463600	ATTACHMENT, (5/16" RIVET)
	AH110740	CHAIN LINK	1	463601-562900	ATTACHMENT
	AH83426	CHAIN LINK	1	562901-	ATTACHMENT
7	C10232	LINK	1		ROLLER
8	AH84241	CHAIN LINK	1		COUPLER
9	N13136	PIN	1		
10	C10233	CHAIN LINK	1	600001-610600	OFFSET

1G9

FEEDER HOUSE

HP2138 -UN-01JAN94

FEEDER HOUSE LEFT-HAND SHIELD



HP2138

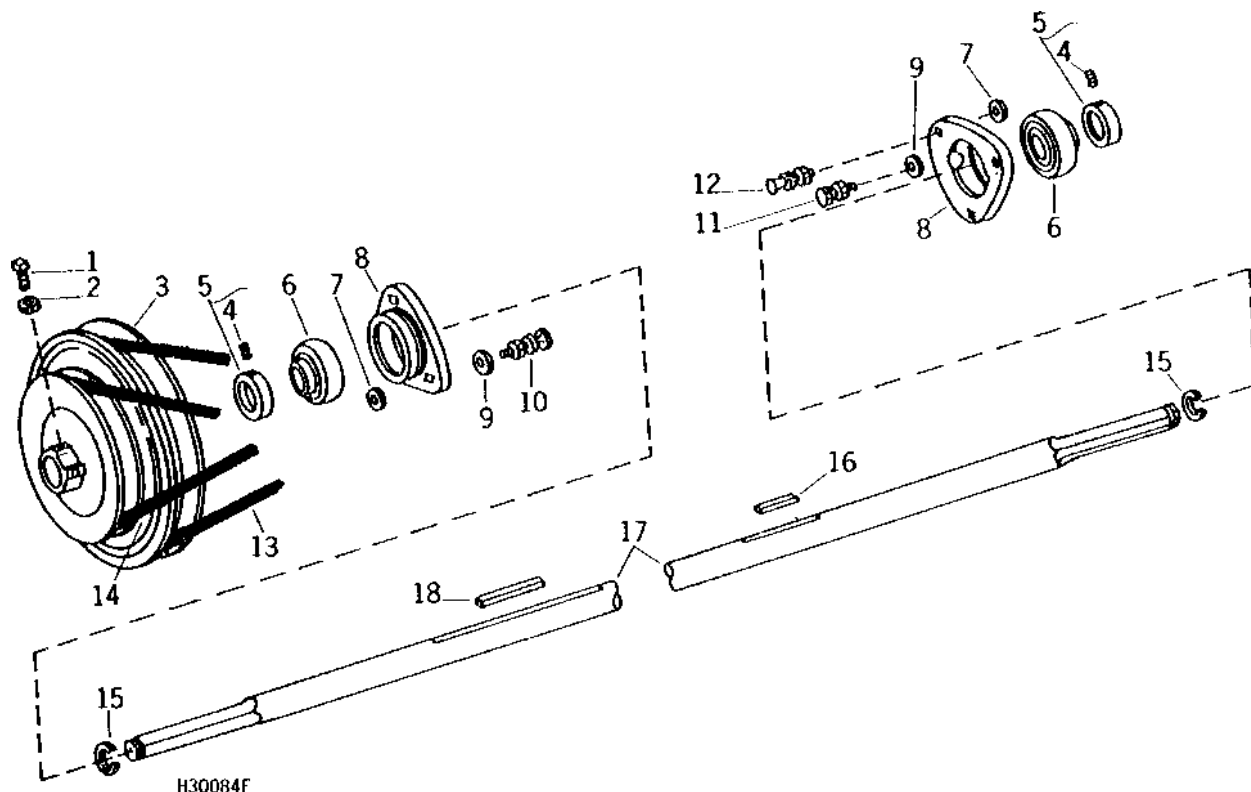
KEY	PART NO.	PART NAME	QTY	SERIAL NO.	REMARKS
1	AH94460	SHIELD	1	-600000	(SUB AH114776)
	AH114776	SHIELD	1		
2	03H1463	BOLT	6		3/8" X 3/4"
	14H812	NUT	6		3/8"
3	H83776	BRACKET	1		FRONT
4	H82521	BRACKET	1		LATCH
5	H78884	LATCH	2		
6	19H1900	CAP SCREW	2		5/16" X 3/4"
	12H303	LOCK WASHER	2		5/16"
	14H785	NUT	2		5/16"
7	24H1136	WASHER	1		11/32" X 11/16" X 0.065"
8	24H1305	WASHER	2		13/32" X 13/16" X 0.065"
9	03H1765	BOLT	1		3/8" X 3/4"
	14H812	NUT	1		3/8"
10	19H1731	CAP SCREW	1		3/8" X 1"
	14H812	NUT	1		3/8"
11	H78880	BRACKET	1		REAR
12	AH78124	CLIP	1	600001-	
13	21H1069	SCREW	2	600001-	3/8" X 1"
	12H304	LOCK WASHER	2	600001-	3/8"
	14H812	NUT	2	600001-	3/8"

1G10

FEEDER HOUSE

H30084F -UN-01JAN94

FEEDER HOUSE LOWER SHAFT AND SHEAVE



H30084F

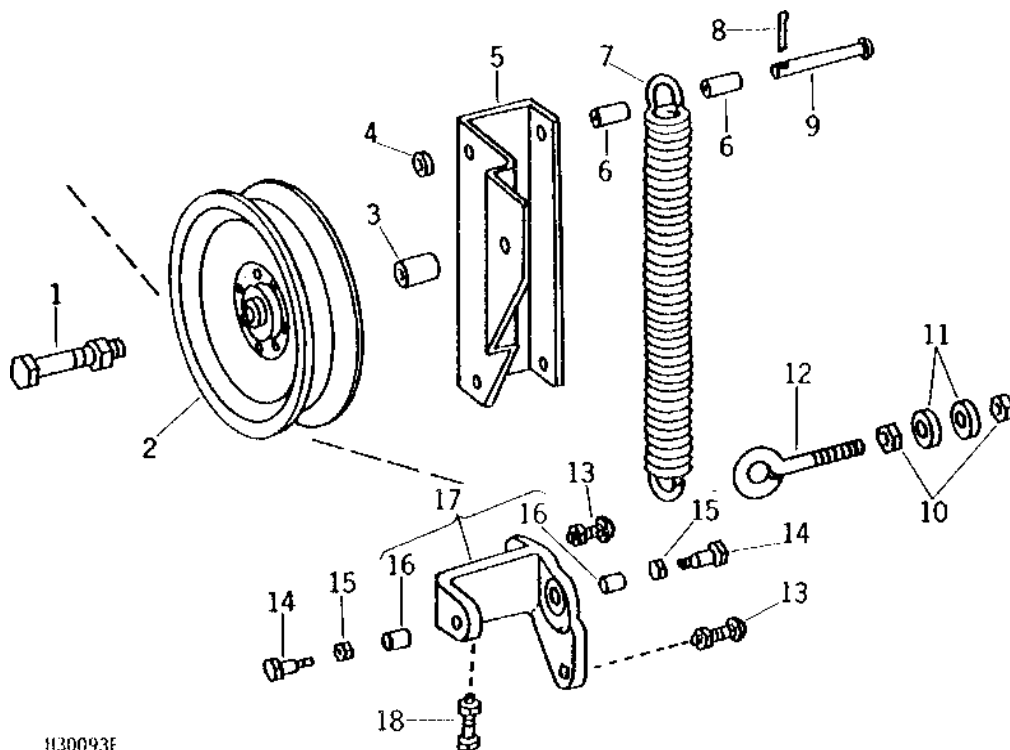
KEY	PART NO.	PART NAME	QTY	SERIAL NO.	REMARKS
1	H82306	SCREW	2		
2	14H732	NUT	2	3/8"	
3	H75888	SHEAVE	1	223 MM AND 323 MM (8-49/64" AND 12-23/32")	
4	22H979	SET SCREW	2	3/8" X 3/8"	
5	JD9201	ECCENTRIC LOCKING COLLAR	2		
6	JD9202	BALL BEARING	2		
7	24H1305	WASHER	8	13/32" X 13/16" X 0.065"	
8	H93927	HOUSING	2		
9	24H1682	WASHER	2	13/32" X 7/8" X 0.120"	
10	03H1557	BOLT	3	3/8" X 1-1/4"	
	12H304	LOCK WASHER	3	3/8"	
	14H812	NUT	3	3/8"	
11	03H1519	BOLT	2	3/8" X 1"	
	12H304	LOCK WASHER	2	3/8"	
	14H812	NUT	2	3/8"	
12	10H1027	BOLT	3	3/8" X 1-1/4"	
	12H304	LOCK WASHER	3	3/8"	
	14H812	NUT	3	3/8"	
13	H77765	BELT	1		
14	H77766	BELT	1		
15	H80926	SNAP RING	2		
16	KEY	1		(3/8" X 3/8" X 1-1/2") (CUT FROM H64376 IN AH64587 KEY STOCK KIT)
17	H80922	SHAFT	1	-562900	(SUB H115230)
	H115230	SHAFT	1		
18	KEY	1		(3/8" X 3/8" X 3-3/4") (CUT FROM H64376 IN AH64587 KEY STOCK KIT)

1G11

FEEDER HOUSE

H30093F -UN-01JAN94

FEEDER HOUSE LOWER BELT TIGHTENER



H30093F

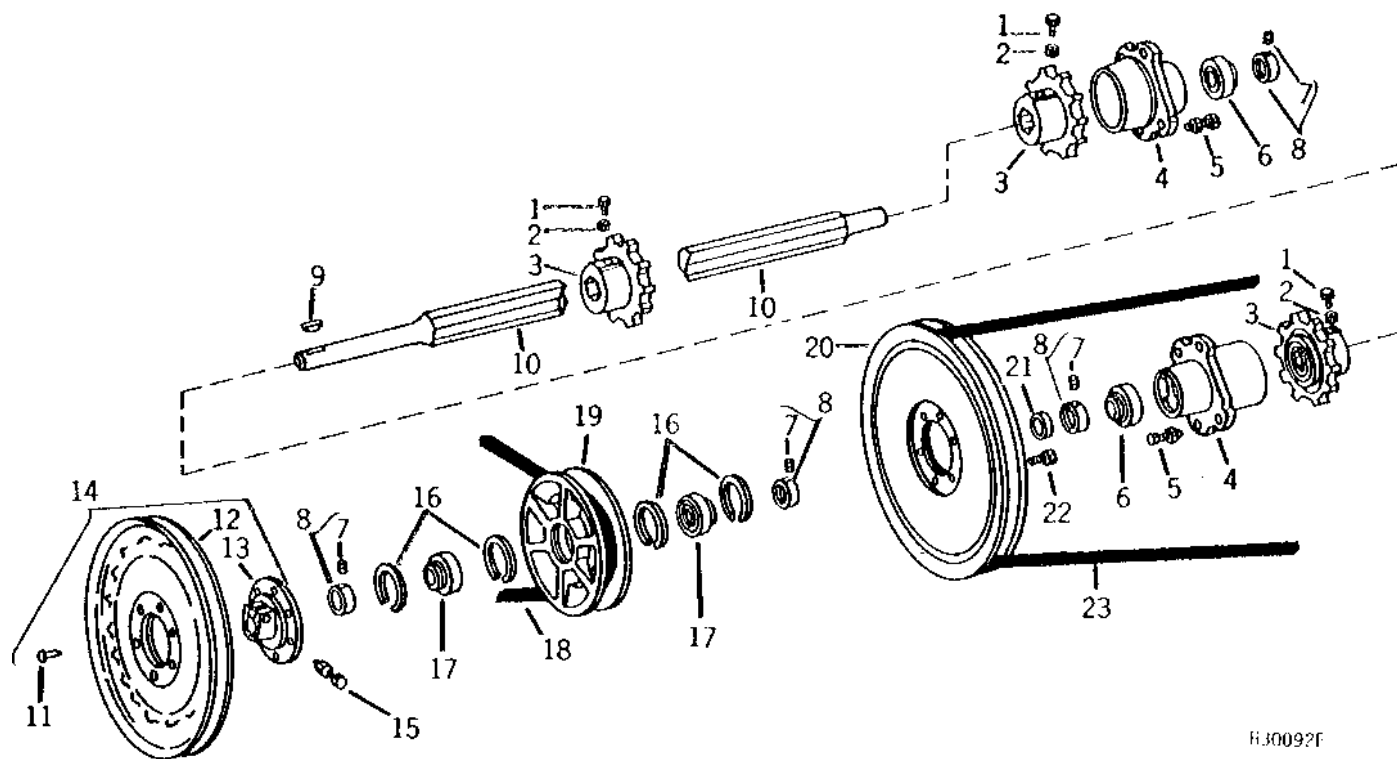
KEY	PART NO.	PART NAME	QTY	SERIAL NO.	REMARKS
1	19H1863	CAP SCREW	1	5/8" X 3"	
	14H1039	NUT	1	5/8"	
2	AH94450	IDLER	1	229 MM (9") DIA.	
3	28H2499	BUSHING	1	3/4" X 13/16"	
4	24H1325	WASHER	1	15/32" X 59/64" X 0.065"	
5	H77764	BRACKET	1		
6	28H187	BUSHING	2	3/8" X 15/16"	
7	H77763	SPRING	1		
8	11H216	COTTER PIN	1	3/16" X 1"	
9	P41492	PIN	1		
10	14H1040	NUT	2	1/2"	
11	24H1254	WASHER	2	17/32" X 1-1/8" X 0.105"	
12	H35459	EYEBOLT	1		
13	03H1557	BOLT	2	3/8" X 1-1/4"	
	12H304	LOCK WASHER	2	3/8"	
	14H812	NUT	2	3/8"	
14	14H732	NUT	2	3/8"	
15	H77325	BOLT	2		
16	BP11232	BUSHING	2		
17	AH76177	BRACKET	1	(MARKED H76632)	
18	19H1800	CAP SCREW	1	3/8" X 1-1/2"	
	14H812	NUT	1	3/8"	

1G12

FEEDER HOUSE

FEEDER HOUSE UPPER SHAFT AND SHEAVES

H30092F -UN-01JAN94



H30092F

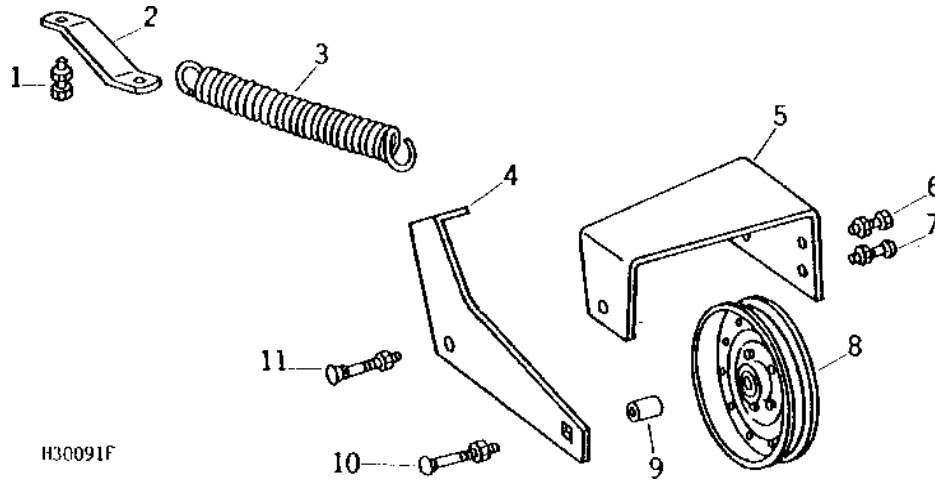
KEY	PART NO.	PART NAME	QTY	SERIAL NO.	REMARKS
1	H84158	SCREW	6	-610600	
	H118776	SET SCREW	6	610601-	
	14H732	NUT	6		3/8"
3	H94166	CHAIN SPROCKET	3	-610600	
	H118583	CHAIN SPROCKET	3	610601-	10 TEETH (45 MM (1-3/4") HEX BORE)
4	H95857	HOUSING	2		
5	H100562	SCREW	8	-562900	
	T49269	SCREW	4	562901-	
	H95783	SCREW	4	562901-	
	12H301	LOCK WASHER	8		1/2"
	14H1040	NUT	8		1/2"
6	JD9452	BALL BEARING	2		
7	22H897	SET SCREW	4		1/4" X 1/4"
8	JD8544	ECCENTRIC LOCKING COLLAR	4		
9	26H22	SHAFT KEY	1		1/4" X 1"
10	H86094	SHAFT	1		
11	16H1110	RIVET	6		5/16" X 1"
12	AH81274	SHEAVE	1		327 MM (12-7/8") DIA.
13	CLAMP	1		(SERVICED IN AH81273)
14	AH81273	SHEAVE	1		327 MM (12-7/8") DIA. (WITH HUB AND RIVETS)
15	19H1733	CAP SCREW	1		3/8" X 2-1/2"
	14H812	NUT	1		3/8"
16	P42232	SNAP RING	4		
17	L1912C	BALL BEARING	2		
18	H77765	BELT	1		
19	H75886	SHEAVE	1		188 MM (7-13/32") DIA.
20	AH75979	SHEAVE	1		440 MM (17-5/16") DIA.
21	28H3268	WASHER	1		1.380" X 1.660" X 5/16"
22	19H1936	CAP SCREW	6		3/8" X 3/4"
23	H76030	BELT	1		

1G13

FEEDER HOUSE

H30091F -UN-01JAN94

FEEDER HOUSE DRIVE TIGHTENER



H30091F

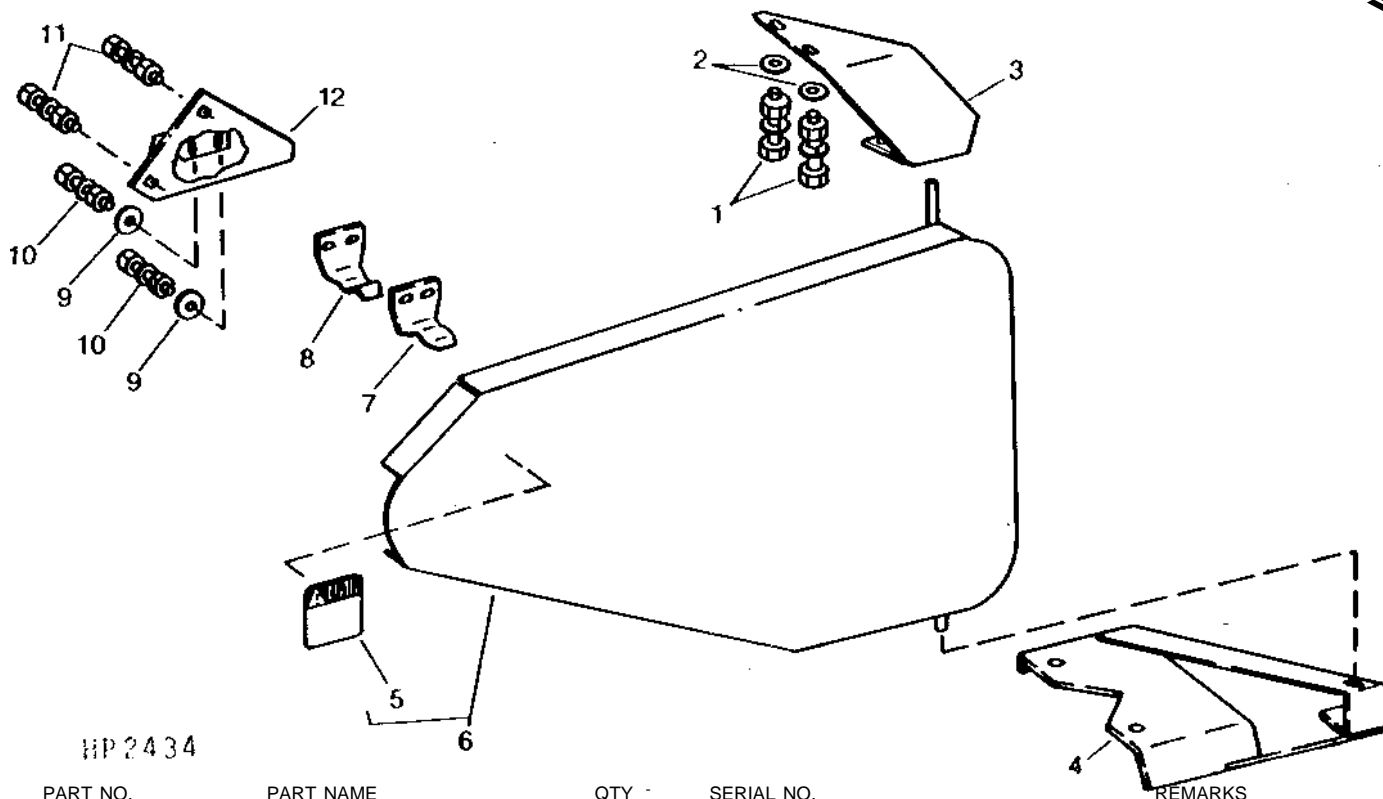
KEY	PART NO.	PART NAME	QTY	SERIAL NO.	REMARKS
1	19H1905	CAP SCREW	1		5/16" X 1"
	14H785	NUT	1		5/16"
2	H83780	LINK	1		
3	H82072	SPRING	1	-414100	
	H86646	SPRING	1	414101-	
4	H83777	ARM	1		
5	H83779	BRACKET	1		
6	19H1731	CAP SCREW	1		3/8" X 1"
	12H304	LOCK WASHER	1		3/8"
	14H812	NUT	1		3/8"
7	03H1557	BOLT	3	-562900	3/8" X 1-1/4"
	14H812	NUT	3	-562900	3/8"
	19H1731	CAP SCREW	3	562901-	3/8" X 1"
	12H304	LOCK WASHER	3	562901-	3/8"
8	AH94450	IDLER	1		197 MM (7-3/4") DIA.
9	28H2553	BUSHING	1		3/4" X 1-1/8"
10	03H2075	BOLT	1		5/8" X 3"
	14H1039	NUT	1		5/8"
11	10H1027	BOLT	1		3/8" X 1-1/4"
	H99923	LOCK NUT	1		

2A18

SEPARATOR

HP2434 -UN-01JAN94

CYLINDER DRIVES SHIELD



HP 2434

KEY	PART NO.	PART NAME	QTY	SERIAL NO.	REMARKS
1	19H1905	CAP SCREW	2		5/16" X 1"
	12H303	LOCK WASHER	2		5/16"
	14H785	NUT	2	-562900	5/16"
	N10213	LOCK NUT	2	562901-	
2	24H1136	WASHER	4		11/32" X 11/16" X 0.065"
	H99618	BRACKET	1		UPPER
4	AH98114	BRACKET	1		LOWER
5	JD5255	DECAL	1		
	AH93760	SHIELD	1	-562900	
	AH111270	SHIELD	1	562901-610600	(SUB AH114857)
6	AH114857	SHIELD	1		
	H94748	PLATE	1		
8	H94747	LATCH	1		
9	24H1136	WASHER	2		11/32" X 11/16" X 0.065"
	03H1709	BOLT	2		5/16" X 1"
10	12H303	LOCK WASHER	2		5/16"
	14H785	NUT	2		5/16"
	03H1765	BOLT	2	-562900	3/8" X 3/4"
	12H304	LOCK WASHER	2		3/8"
11	14H812	NUT	2		3/8"
	H95182	BRACKET	1	-562900	(SUB H111070)
	H111070	BRACKET	1		

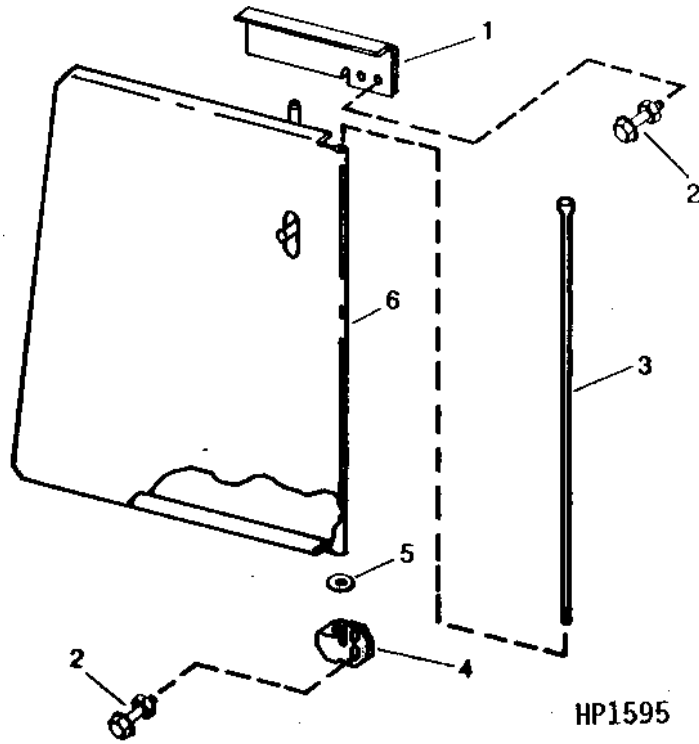
MEMORANDA

2A19

SEPARATOR

HP1595 -UN-01JAN94

SEPARATOR RIGHT-HAND SHIELD (SERIAL NO. 562901-)



KEY	PART NO.	PART NAME	QTY	SERIAL NO.	REMARKS
1	H113803	BRACKET	1	UPPER	
2	N10212	SELF-LOCKING SCREW	4		
	14H785	NUT	4	5/16"	
3	H100746	ROD	1		
4	H113804	BRACKET	1	LOWER	
5	24H1136	WASHER	1	11/32" X 11/16" X 0.065"	
6	AH111411	SHIELD	1		

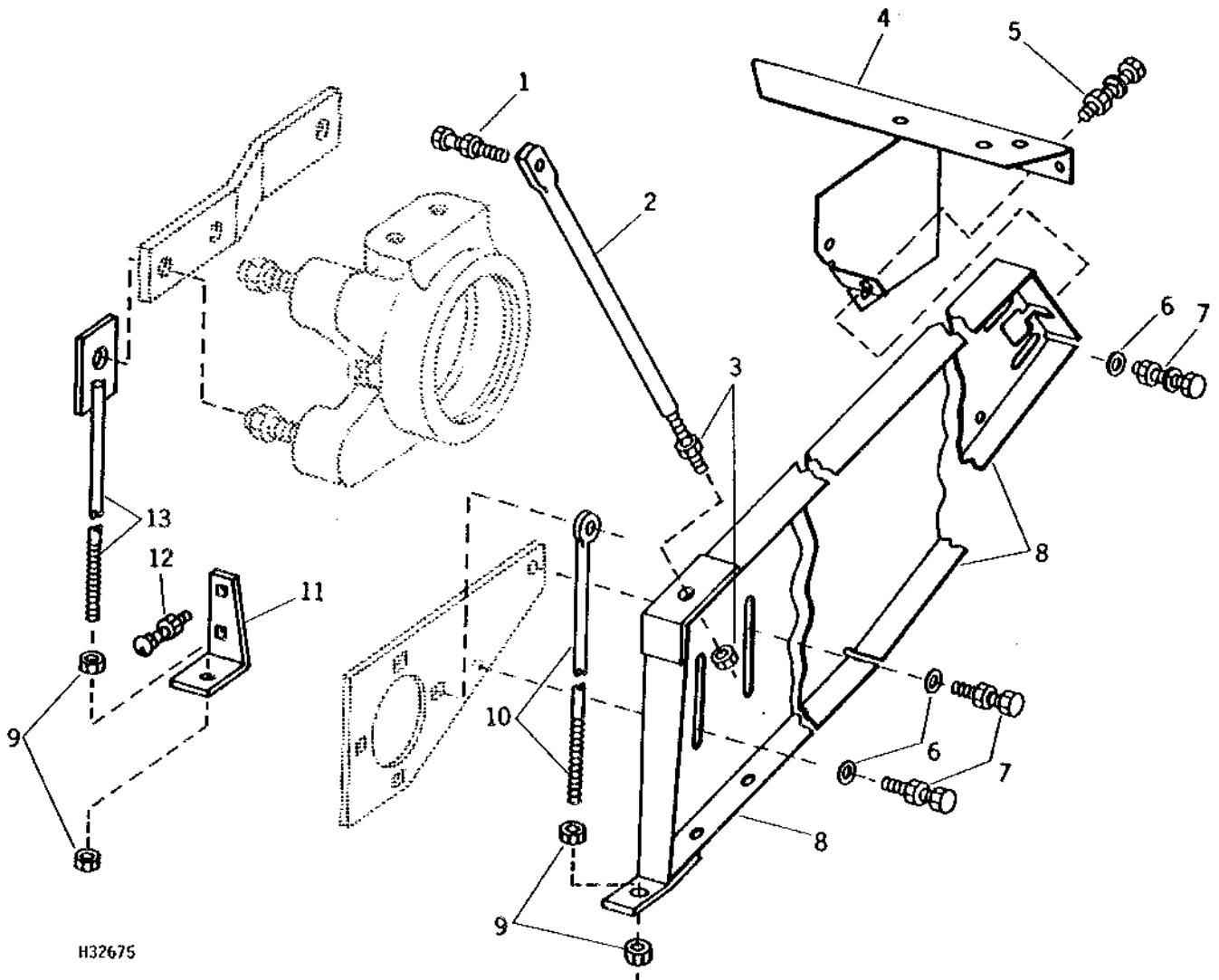
2A20

SEPARATOR

H32675

-UN-01JAN94

CYLINDER DRIVE SUPPORT BRACES
(SERIAL NO. -562900)



H32675

2A21

SEPARATOR

CYLINDER DRIVE SUPPORT BRACES - CONTINUED (SERIAL NO. -562900)

KEY	PART NO.	PART NAME	QTY	SERIAL NO.	REMARKS
1	19H1792	CAP SCREW	1		1/2" X 1"
	12H301	LOCK WASHER	1		1/2"
	14H1040	NUT	1		1/2"
2	AH94957	BRACE	1		
3	14H794	NUT	2		3/4"
4	AH92610	ANGLE	1		
5	19H2805	CAP SCREW	1		1/2" X 3-1/4"
	14H826	NUT	2		1/2"
6	24H1682	WASHER	4		13/32" X 7/8" X 0.120"
7	19H1731	CAP SCREW	4		3/8" X 1"
	12H304	LOCK WASHER	4		3/8"
	14H812	NUT	4		3/8"
8	AH95966	SUPPORT	1		
9	14H826	NUT	4		1/2"
10	N100981	EYEBOLT	1		
11	H96396	BRACKET	1		
12	03H1565	BOLT	2		3/8" X 3"
	12H304	LOCK WASHER	2		3/8"
	14H812	NUT	2		3/8"
13	AH94958	STUD	1		

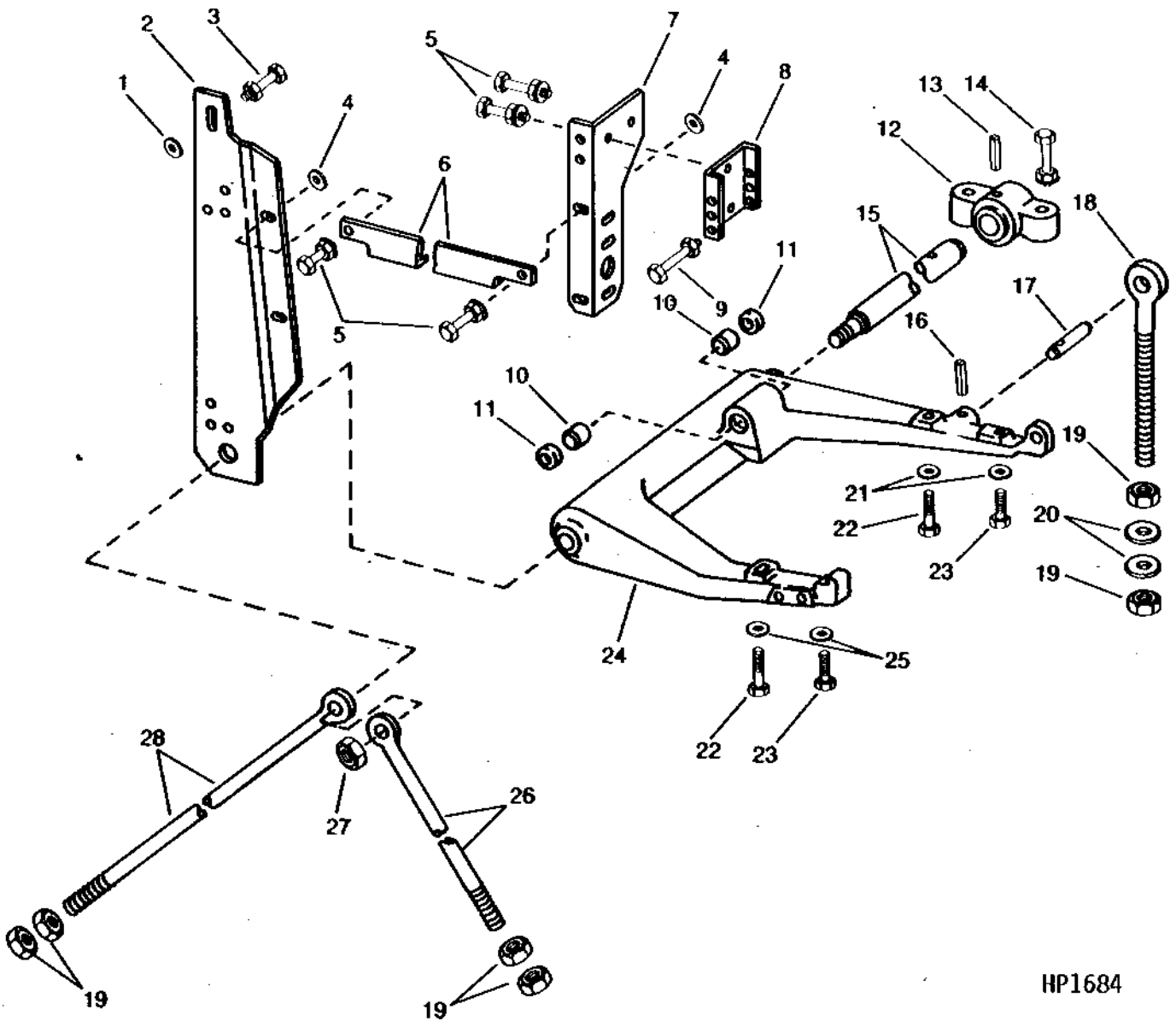
2A22

SEPARATOR

DUAL-RANGE CYLINDER INTERMEDIATE DRIVE SUPPORT BRACES (SERIAL NO. 562901-)

HP1684

-UN-01JAN94



HP1684

2A23

SEPARATOR

DUAL-RANGE CYLINDER INTERMEDIATE DRIVE SUPPORT BRACES - CONTINUED
(SERIAL NO. 562901-)

KEY	PART NO.	PART NAME	QTY	SERIAL NO.	REMARKS
1	24H1111	WASHER	1		17/32" X 1-1/16" X 0.090"
2	AH111439	CHANNEL	1		
3	19H1792	CAP SCREW	1		1/2" X 1"
4	24H1136	WASHER	2		11/32" X 11/16" X 0.065"
5	19H1900	CAP SCREW	4		5/16" X 3/4"
	N10213	LOCK NUT	4		
6	H111071	ANGLE	1		
7	H111072	BRACKET	1		
8	H113210	CHANNEL	1		
9	19H1969	CAP SCREW	3		1/4" X 3", (B GRADE SHEAR BOLT)
	M40333	LOCK NUT	3		
10	H99147	BUSHING	2		
11	AA5607R	SEAL	2		
12	H110341	SUPPORT	1		
13	W30317	SPRING PIN	1		
14	19H3136	CAP SCREW	2		1/2" X 5-3/4"
	E54809	LOCK NUT	2		
15	H110725	STUD	1		
16	34M7036	SPRING PIN	1		
17	H113392	PIN	1		
18	H110435	EYEBOLT	1		
19	14H794	NUT	6		3/4"
20	24H1400	WASHER	2		25/32" X 1-5/8" X 1/4"
21	T29342	WASHER	2		
22	19H3520	CAP SCREW	2		1/2" X 3-1/4"
23	19H2644	CAP SCREW	2		1/2" X 2-1/2"
24	AH108934	SUPPORT	1		(MARKED H110493)
25	T20217	WASHER	2		
26	H112875	EYEBOLT	1		
27	14H805	NUT	1		1"
28	H112876	EYEBOLT	1		

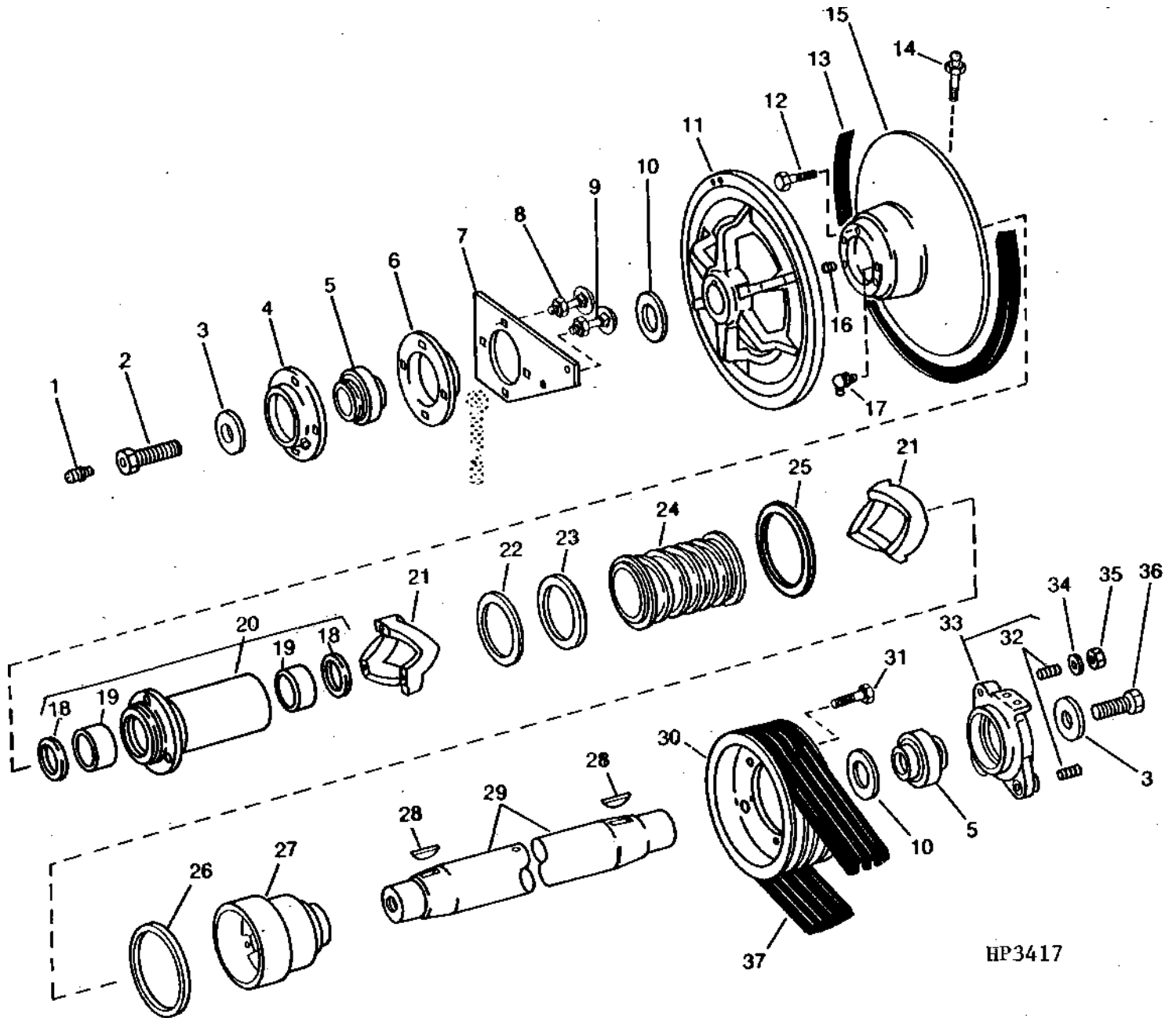
2A24

SEPARATOR

HP3417

-UN-01JAN94

CYLINDER DRIVE INTERMEDIATE SHAFT (SERIAL NO. -562900)



HP3417

2A25

SEPARATOR

CYLINDER DRIVE INTERMEDIATE SHAFT - CONTINUED
(SERIAL NO. -562900)

KEY	PART NO.	PART NAME	QTY	SERIAL NO.	REMARKS
1	JD7797	LUBRICATION FITTING	1		STRAIGHT, 1/4"
2	H96228	SCREW	1		HOLLOW
3	P46993	WASHER	2		
4	AE30794	PRESSED FLANGED HOUSING	1		
5	JD9434	BEARING	2		
6	E50822	PRESSED FLANGED HOUSING	1		
7	H94243	PLATE	1		
8	03H1746	BOLT	3		1/2" X 1-1/4"
	12H301	LOCK WASHER	3		1/2"
	14H1040	NUT	3		1/2"
9	03H1764	BOLT	1		1/2" X 1-3/4"
	12H301	LOCK WASHER	1		1/2"
	14H1040	NUT	1		1/2"
10	E18993	WASHER	2		
11	H96051	SHEAVE	1		FIXED, 413 MM (16-1/4") DIA.
12	19H3239	CAP SCREW	3		3/8" X 1-1/4"
	12H304	LOCK WASHER	3		3/8"
13	H113749	BELT	1		
14	JD7819	LUBRICATION FITTING	1	513351-	
15	H107391	SHEAVE	1	-463600	(SUB H107689)
	H107689	SHEAVE	1	-463600	SLIDING, (SUB H110112)
	H110112	SHEAVE	1		INNER
16	AH106296	BREATHER	1	414101-	
17	JD7806	LUBRICATION FITTING	1	414101-	90°, 1/4"
18	AH94850	SEAL	2		
19	H75777	BUSHING	2		
20	AH102538	HUB	1	-414244	(SUB AH106431, JD7806 AND AH106296)
	AH106431	HUB	1		
21	H93637	CAM	2		
22	H96227	WASHER	1		
23	H96232	WASHER	1		
24	AH101632	SPRING ASSEMBLY	1	-463600	(SUB AH105371)
	AH105371	SPRING	1	-513350	(SUB AH110307)
	AH110307	SPRING	1		
25	AH94854	SEAL	1		
26	H107389	RING	1		
27	H93635	HUB	1	-414245	(SUB H105359)
	H105359	HUB	1		
28	26H104	SHAFT KEY	2		5/16" X 2-1/8"
29	H93655	SHAFT	1		
30	H93643	SHEAVE	1		272 MM (10-3/4") DIA. (4-GROOVE) (450 TO 1200 RPM)
	H93641	SHEAVE	1		229 MM (9-19/64") DIA. (4-GROOVE) (390 TO 1030 RPM)
	H93646	SHEAVE	1		191 MM (7-1/2") DIA. (4-GROOVE) (315 TO 830 RPM)
31	19H2458	CAP SCREW	3		3/8" X 3"
	12H304	LOCK WASHER	3		3/8"
32	H93639	STUD	3		
33	AH90589	HOUSING	1		
34	24H1850	WASHER	2		17/32" X 1-1/4" X 0.180"
35	14H1040	NUT	3		1/2"
	12H301	LOCK WASHER	3		1/2"
36	19H1756	CAP SCREW	1		5/8" X 1-1/2"
37	H96422	BELT	1		(390 TO 1030 RPM OR 450 TO 1200 RPM)
	H96421	BELT	1		(315 TO 830 RPM)

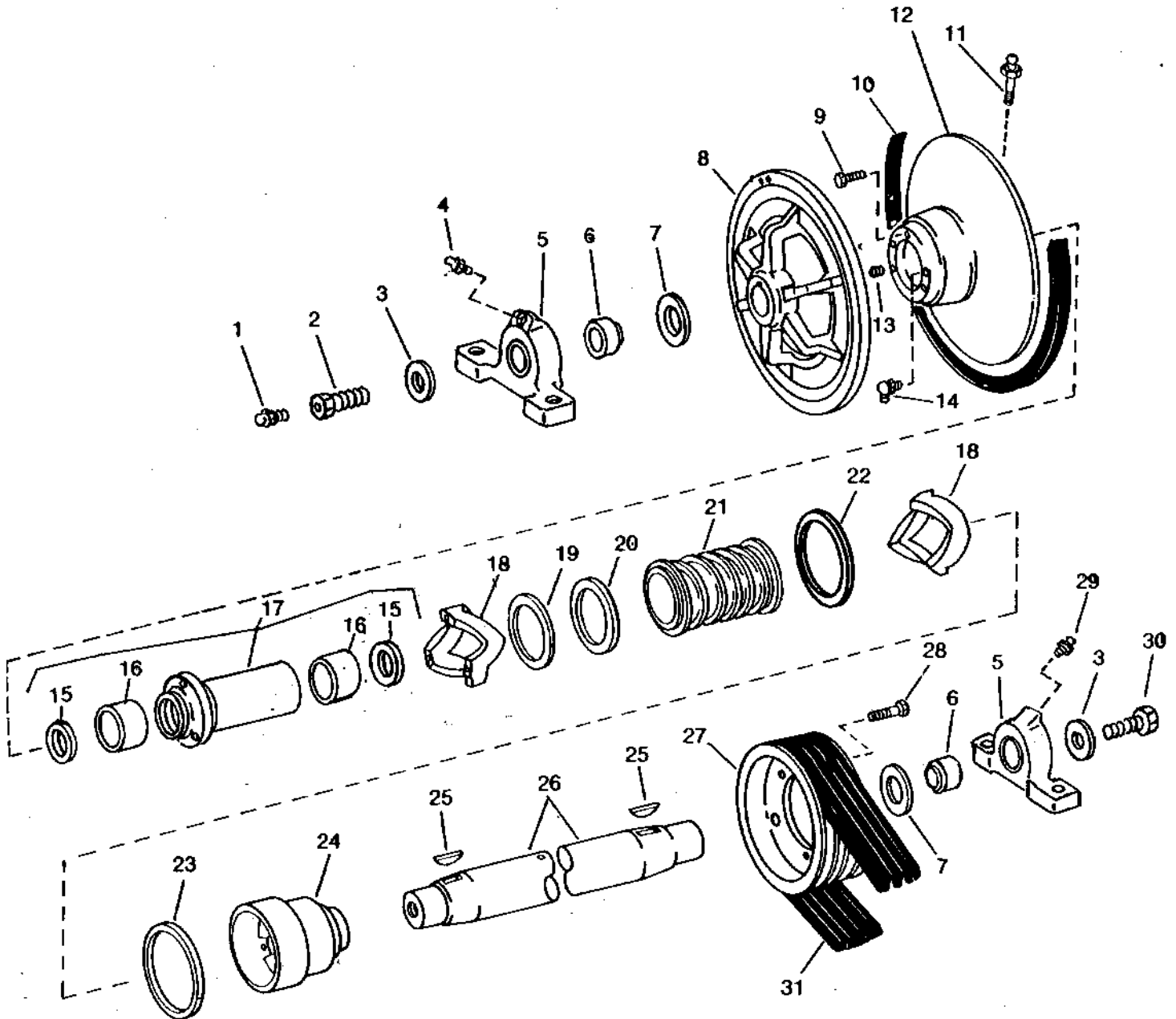
2B1

SEPARATOR

HP3416

-UN-01JAN94

DUAL-RANGE CYLINDER DRIVE INTERMEDIATE SHAFT (SERIAL NO. 562901-)



HP3416

2B2

SEPARATOR

DUAL-RANGE CYLINDER DRIVE INTERMEDIATE SHAFT - CONTINUED
(SERIAL NO. 562901-)

KEY	PART NO.	PART NAME	QTY	SERIAL NO.	REMARKS
1	JD7797	LUBRICATION FITTING	1		STRAIGHT, 1/4"
2	H96228	SCREW	1		HOLLOW
3	P46993	WASHER	2		
4	JD7759	LUBRICATION FITTING	1		
5	H110290	HOUSING	2	-610600	
	H119210	HOUSING	2	610601-	
6	AH108813	BALL BEARING	2		
7	E18993	WASHER	2		
8	H96051	SHEAVE	1		413 MM (16-1/4") DIA.
9	19H3239	CAP SCREW	3		3/8" X 1-1/4"
	12H304	LOCK WASHER	3		3/8"
10	H113749	BELT	1		
11	JD7819	LUBRICATION FITTING	1		STRAIGHT, 1/4"
12	H110112	SHEAVE	1		INNER, 413 MM (16-1/4") DIA.
13	AH106296	BREATHER	1		
14	JD7806	LUBRICATION FITTING	1		90°, 1/4"
15	AH94850	SEAL	2		
16	H106866	BUSHING	2		
17	AH111135	HUB	1		
18	H93637	CAM	2		
19	H96227	WASHER	1		
20	H96232	WASHER	1		
21	AH110307	SPRING	1		
22	AH94854	SEAL	1		
23	H107389	RING	1		
24	H105359	HUB	1		
25	26H104	SHAFT KEY	2		5/16" X 2-1/8"
26	H93655	SHAFT	1		
27	H93641	SHEAVE	1		236 MM (9-19/64") DIA. (4-GROOVE) (OPTIONAL)
	H110253	SHEAVE	1		296 MM (11-21/32") DIA. (4-GROOVE)
28	19H2458	CAP SCREW	3		3/8" X 3"
	12H304	LOCK WASHER	3		3/8"
29	JD7839	LUBRICATION FITTING	1		
30	19H1756	CAP SCREW	1		5/8" X 1-1/2"
31	H96422	BELT	1		(4-BANDED) (OPTIONAL) (280 TO 560 RPM AND 500 TO 1000 RPM)
	H110375	BELT	1		(4-BANDED) (STANDARD) (350 TO 700 RPM AND 620 TO 1240 RPM)

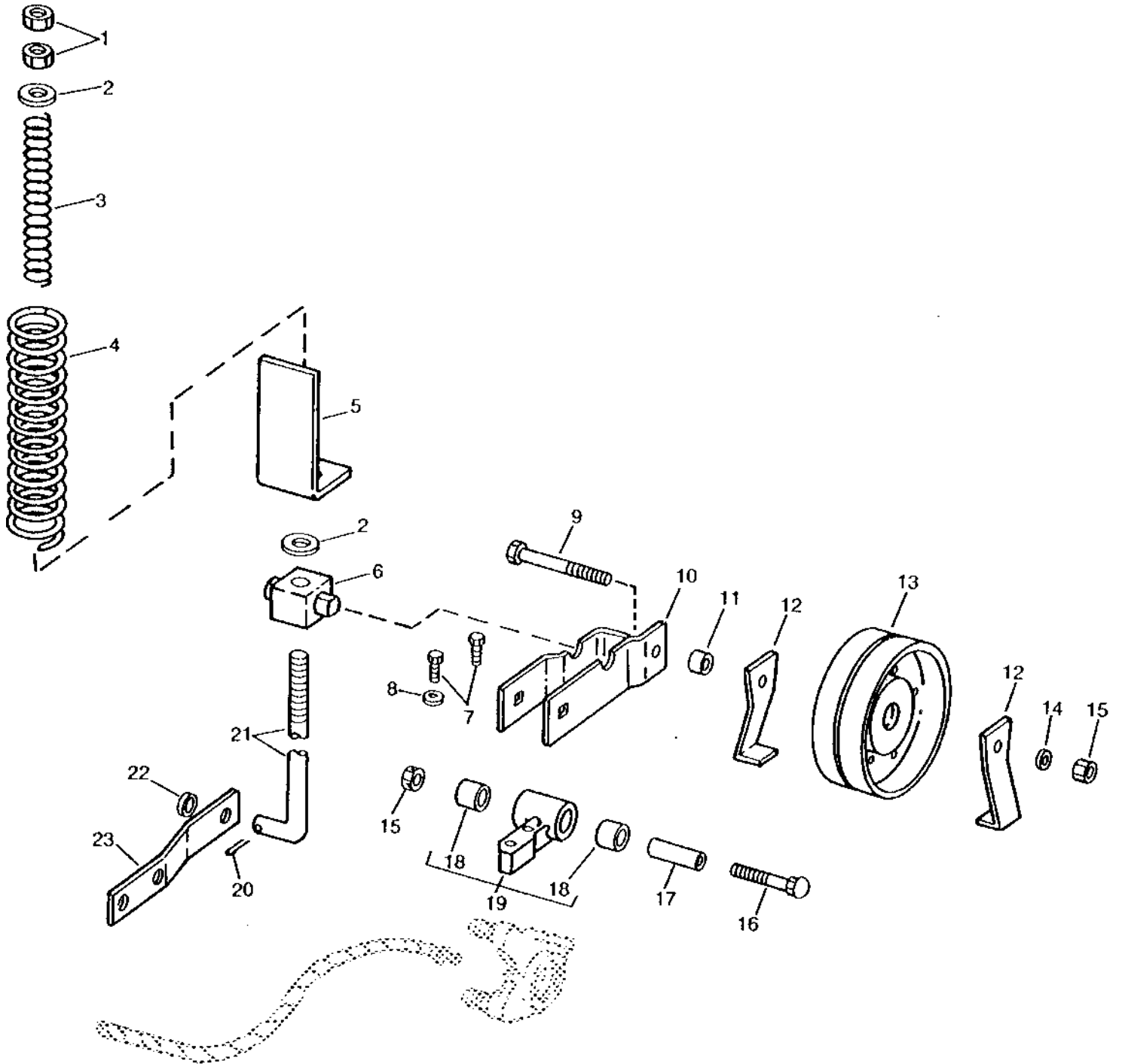
2B3

SEPARATOR

HP608

-UN-01JAN94

CYLINDER DRIVE TIGHTENER
(SERIAL NO. -562900)



HP608

2B4

SEPARATOR

CYLINDER DRIVE TIGHTENER - CONTINUED
(SERIAL NO. -562900)

KEY	PART NO.	PART NAME	QTY	SERIAL NO.	REMARKS
1	14H1039	NUT	2		5/8"
2	24H1106	WASHER	2		11/16" X 1-3/4" X 0.134"
3	H94509	SPRING	1		INNER
4	H94510	SPRING	1		OUTER
5	H96399	ANGLE	1		
6	H96403	SWIVEL	1		
7	19H1800	CAP SCREW	2		3/8" X 1-1/2"
	12H304	LOCK WASHER	2		3/8"
8	24H1682	WASHER	1		13/32" X 7/8" X 0.120"
9	19H1945	CAP SCREW	1		1/2" X 3-1/4"
10	AH90663	ARM	1		
11	H94353	BUSHING	1		
12	H94386	BRACKET	2		
13	AH93316	IDLER	1	-562900	(SUB AH111447)
	AH111447	IDLER	1		
14	24H1340	WASHER	1		33/64" X 7/8" X 0.075"
15	H79449	LOCK NUT	2	-615300	
	K40014	LOCK NUT	2	615301-	
16	03H2121	BOLT	1		1/2" X 3-1/4"
17	H89297	BUSHING	1		
18	H98655	BUSHING	2		
19	AH97341	SUPPORT	1		
20	11H229	COTTER PIN	1		3/32" X 2"
21	H96401	BOLT	1		
22	24H1368	WASHER	1		21/32" X 1-5/16" X 0.090"
23	H96400	STRAP	1		

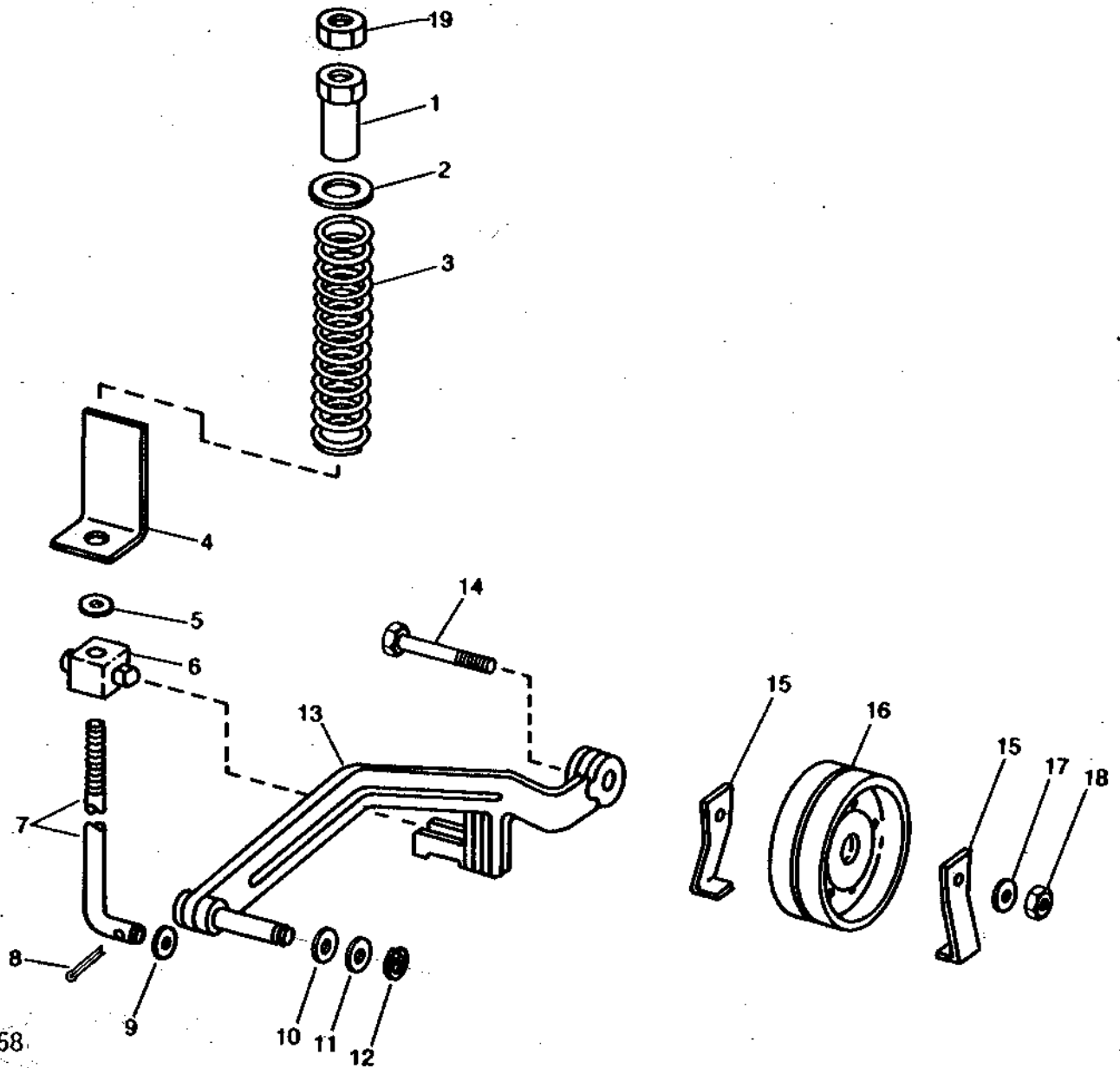
2B5

SEPARATOR

HP1558

-UN-01JAN94

DUAL-RANGE CYLINDER DRIVE TIGHTENER
(SERIAL NO. 562901-)



HP1558

2B6

SEPARATOR

DUAL-RANGE CYLINDER DRIVE TIGHTENER - CONTINUED
(SERIAL NO. 562901-)

KEY	PART NO.	PART NAME	QTY	SERIAL NO.	REMARKS
1	H117598	NUT	1		
2	24H1471	WASHER	1		1-9/64" X 1-3/4" X 0.134"
3	H94510	SPRING	1		
4	H96399	ANGLE	1		
5	24H1106	WASHER	1		11/16" X 1-3/4" X 0.134"
6	H96403	SWIVEL	1		
7	H110724	HOOK BOLT	1		
8	11H218	COTTER PIN	1		3/16" X 1-1/2"
9	24H1368	WASHER	1		21/32" X 1-5/16" X 0.090"
10	24H1447	WASHER	AR		1-1/32" X 1-1/2" X 0.036", (4 OR LESS)
11	24H1448	WASHER	1		1-1/32" X 1-1/2" X 0.120"
12	P46402	SNAP RING	1		
13	AH108947	ARM	1		(MARKED H110564)
14	19H1945	CAP SCREW	1		1/2" X 3-1/4"
15	H94386	BRACKET	2		
16	AH111447	IDLER	1		165 MM (6-1/2") DIA.
17	24H1222	WASHER	1		17/32" X 1-3/8" X 0.120"
18	H79449	LOCK NUT	1	-615300	
	K40014	LOCK NUT	1	615301-	
19	14H1039	NUT	1		5/8"

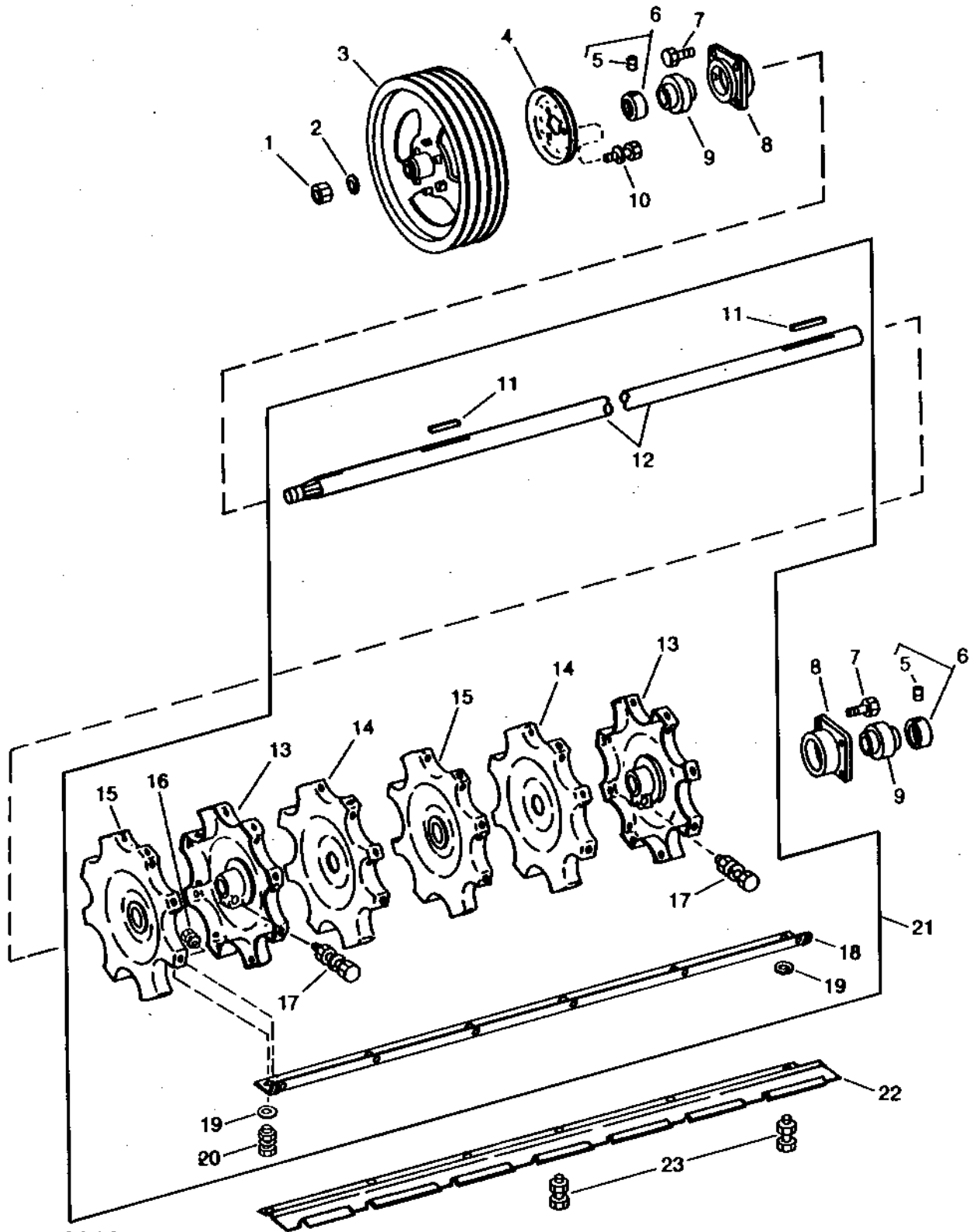
2B7

SEPARATOR

HP2863

-UN-01JAN94

RASP-BAR CYLINDER
(SERIAL NO. -562900)



HP 2863

2B8

SEPARATOR

RASP-BAR CYLINDER - CONTINUED
(SERIAL NO. -562900)

KEY	PART NO.	PART NAME	QTY	SERIAL NO.	REMARKS
1	H93931	LOCK NUT	1		
2	24H1509	WASHER	1		1-25/64" X 2-1/2" X 0.194"
3	H93645	SHEAVE	1		569 MM (26-25/64") DIA.
4	AH94959	SHEAVE	1	-414100	228 MM (9-3/8") DIA.
	AH101245	SHEAVE	1	414101-	239 MM (12-3/8") DIA. (150 PER CENT BEATER SPEED)
5	22H982	SET SCREW	2		7/16" X 7/16"
6	JD9365	ECCENTRIC LOCKING COLLAR	2		
7	19H1732	CAP SCREW	8		3/8" X 1-1/4"
	12H304	LOCK WASHER	8		3/8"
8	H99149	HOUSING	2		
9	JD9431	BALL BEARING	2		
10	19H1731	CAP SCREW	3		3/8" X 1"
	12H304	LOCK WASHER	3		3/8"
11	KEY	2		(3/8" X 3/8" X 2-1/4") (CUT FROM H64375 IN AH64587 KEY STOCK KIT)
12	H79642	SHAFT	1		
13	AH96531	CYLINDER HEAD	2	-562900	(SUB AH114501 AND AH114502)
	AH114501	THRESHING CYL HEAD (W/HUB)	1		R.H.
	AH114502	THRESHING CYL HEAD (W/HUB)	1		L.H.
14	H75324	CYLINDER HEAD	2	-562900	(SUB (2) H117614, (48) 19H2676, (48) H99923 AND (48) R42729)
	H117614	THRESHING CYLINDER HEAD	2		
15	AH75101	THRESHING CYL HEAD (W/HUB)	2	-562900	(SUB AH114503)
	AH114503	THRESHING CYLINDER HEAD	2		
16	19H2554	CAP SCREW	48		3/8" X 5/8"
	12H304	LOCK WASHER	48		3/8"
17	19H1820	CAP SCREW	2		1/2" X 3"
	P3629H	LOCK WASHER	2		(SUB 12H301)
	12H301	LOCK WASHER	2		1/2"
	14H1040	NUT	2		1/2"
18	AH75106	RASP BAR	2		R.H. (HARDENED)(NON-CHROMED)(SET OF 2)
	AH75107	RASP BAR	2		L.H. (HARDENED)(NON-CHROMED)(SET OF 2)
	AH117651	RASP BAR	2	-620300	R.H. (CHROMED) (SET OF 2) (SUB AH126547)
	AH126547	RASP BAR	2		R.H. (HARDENED)(CHROMED)(SET OF 2)
	AH117652	RASP BAR	2	-620300	L.H. (CHROMED) (SET OF 2) (SUB AH126546)
	AH126546	RASP BAR	2		L.H. (HARDENED)(CHROMED)(SET OF 2)
19	24H1303	WASHER	2		13/32" X 11/16" X 0.065" (UNDER HEAD OF SCREWS, ON EACH END OF ANY ONE RASP BAR FOR LEVELING CONCAVE)
20	19H3239	CAP SCREW	48		3/8" X 1-1/4"
	R42729	WASHER	48		13/32" X 0.826" X 0.090" (HARDENED)
	H99923	LOCK NUT	48		9.525 MM (3/8")
21	AH76102	RASP-BAR CYLINDER	1		(HARDENED RASP BARS)
	AH117625	RASP-BAR CYLINDER	1		(CHROMED RASP BARS)
22	H79486	PLATE	8		
23	19H2676	CAP SCREW	48	-562900	3/8" X 1", (SUB (48) 19H3239)
	19H3239	CAP SCREW	48		3/8" X 1-1/4"
	H99923	LOCK NUT	48		

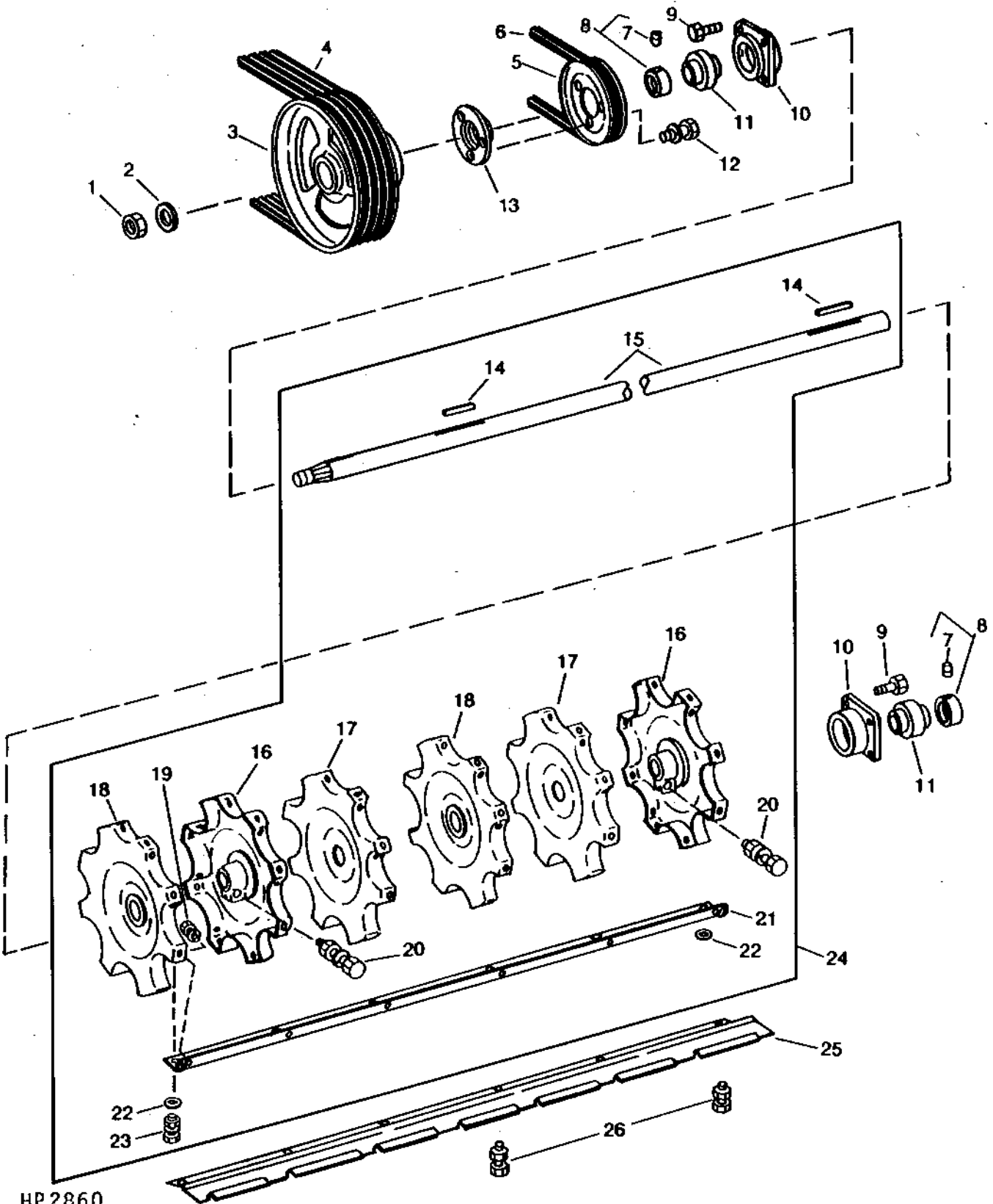
2B9

SEPARATOR

RASP-BAR CYLINDER
(DUAL-RANGE CYLINDER DRIVE) (SERIAL NO. 562901-)
(SINGLE-RANGE CYLINDER DRIVE) (SERIAL NO. 610601-)

HP2860

-UN-01JAN94



HP 2860

2B10

SEPARATOR

RASP-BAR CYLINDER - CONTINUED
(DUAL-RANGE CYLINDER DRIVE) (SERIAL NO. 562901-)
(SINGLE-RANGE CYLINDER DRIVE) (SERIAL NO. 610601-)

KEY	PART NO.	PART NAME	QTY	SERIAL NO.	REMARKS
1	H93931	LOCK NUT	1		(SINGLE-RANGE)
2	24H1509	WASHER	1		1-25/64" X 2-1/2" X 0.194", (SINGLE-RANGE)
3	H93645	SHEAVE	1		560 MM (22-2/5") DIA. (SINGLE-RANGE)
4	H96408	BELT	1		(390 TO 1030 RPM OR 450 TO 1200 RPM) (SINGLE-RANGE)
	H96423	BELT	1		(300 TO 860 RPM) (SINGLE-RANGE)
5	AH94959	SHEAVE	1		241 MM (9-1/2") DIA. (100 PER CENT BEATER SPEED) (SINGLE-RANGE)
	AH101245	SHEAVE	1		318 MM (12-1/2") DIA. (150 PER CENT BEATER SPEED) (SINGLE-RANGE)
6	H96414	BELT	1		(SINGLE-RANGE)
7	22H982	SET SCREW	2		7/16" X 7/16"
8	AH108767	ECCENTRIC LOCKING COLLAR	2		
9	19H1732	CAP SCREW	8		3/8" X 1-1/4"
	12H304	LOCK WASHER	8		3/8"
10	H99149	HOUSING	2		
11	AH108768	BALL BEARING	2		
12	19H1732	CAP SCREW	3		3/8" X 1-1/4", (100 PER CENT BEATER SPEED) (SINGLE-RANGE)
	19H1731	CAP SCREW	3		3/8" X 1", (150 PER CENT BEATER SPEED) (SINGLE-RANGE)
	12H304	LOCK WASHER	3		3/8"
13	H127658	SPACER	1	610601-	(100 PER CENT BEATER SPEED) (SINGLE-RANGE)
14	KEY	2		(3/8" X 3/8" X 2-1/4") (CUT FROM H64376 IN AH64587 KEY STOCK KIT)
15	H110458	DRIVE SHAFT	1		(DUAL-RANGE)
	H123134	DRIVE SHAFT	1		(SINGLE-RANGE)
16	AH114501	THRESHING CYL HEAD (W/HUB)	1		R.H.
	AH114502	THRESHING CYL HEAD (W/HUB)	1		L.H.
	H117614	THRESHING CYLINDER HEAD	2		(WITHOUT HUB)
18	AH114503	THRESHING CYLINDER HEAD	2		
19	19H2554	CAP SCREW	48		3/8" X 5/8", (DUAL-RANGE)
	19H2554	CAP SCREW	48	610601-	3/8" X 5/8", (SINGLE-RANGE)
	12H304	LOCK WASHER	48		3/8"
20	19H1820	CAP SCREW	2		
	P3629H	LOCK WASHER	2	-610600	(SUB 12H301)
	12H301	LOCK WASHER	2		
	14H1040	NUT	2		1/2"
21	AH75106	RASP BAR	2	-625700	R.H. (HARDENED)(NON-CHROMED)(SET OF 2)
	AH132976	RASP BAR	2	625701-	R.H. (HARDENED)(NON-CHROMED) (SET OF 2)
	AH75107	RASP BAR	2	-625700	L.H. (HARDENED)(NON-CHROMED)(SET OF 2)
	AH132977	RASP BAR	2	625701-	L.H. (HARDENED)(NON-CHROMED) (SET OF 2)
	AH117651	RASP BAR	2	-615467	R.H. (CHROMED)(SET OF 2) (SUB AH126547)
	AH126547	RASP BAR	2	-625700	R.H. (HARDENED)(CHROMED)(SET OF 2)
	AH132978	RASP BAR	2	625701-	R.H. (HARDENED)(CHROMED) (SET OF 2)
	AH117652	RASP BAR	2	-615467	L.H. (CHROMED)(SET OF 2) (SUB AH126546)
	AH126546	RASP BAR	2	-625700	L.H. (HARDENED)(CHROMED)(SET OF 2)
	AH132979	RASP BAR	2	625701-	L.H. (HARDENED)(CHROMED) (SET OF 2)
22	24H1303	WASHER	AR	610601-	13/32" X 11/16" X 0.065", (UNDER HEAD OF SCREWS, ON EACH END OF ANY ONE RASP BAR FOR LEVELING COMBINE)
23	19H3239	CAP SCREW	48		3/8" X 1-1/4"
	R42729	WASHER	48		13/32" X 0.826" X 0.090", (HARDENED)
	H99923	LOCK NUT	48		9.525 MM (3/8")
24	AH108904	RASP-BAR CYLINDER	1		(HARDENED RASP BARS)
	AH117626	RASP-BAR CYLINDER	1		(CHROMED RASP BARS) (DUAL-RANGE)
	AH119767	RASP-BAR CYLINDER	1		(CHROMED RASP BARS) (SINGLE-RANGE)
25	H79486	PLATE	8		
26	19H3239	CAP SCREW	48		3/8" X 1-1/4"
	H99923	LOCK NUT	48		

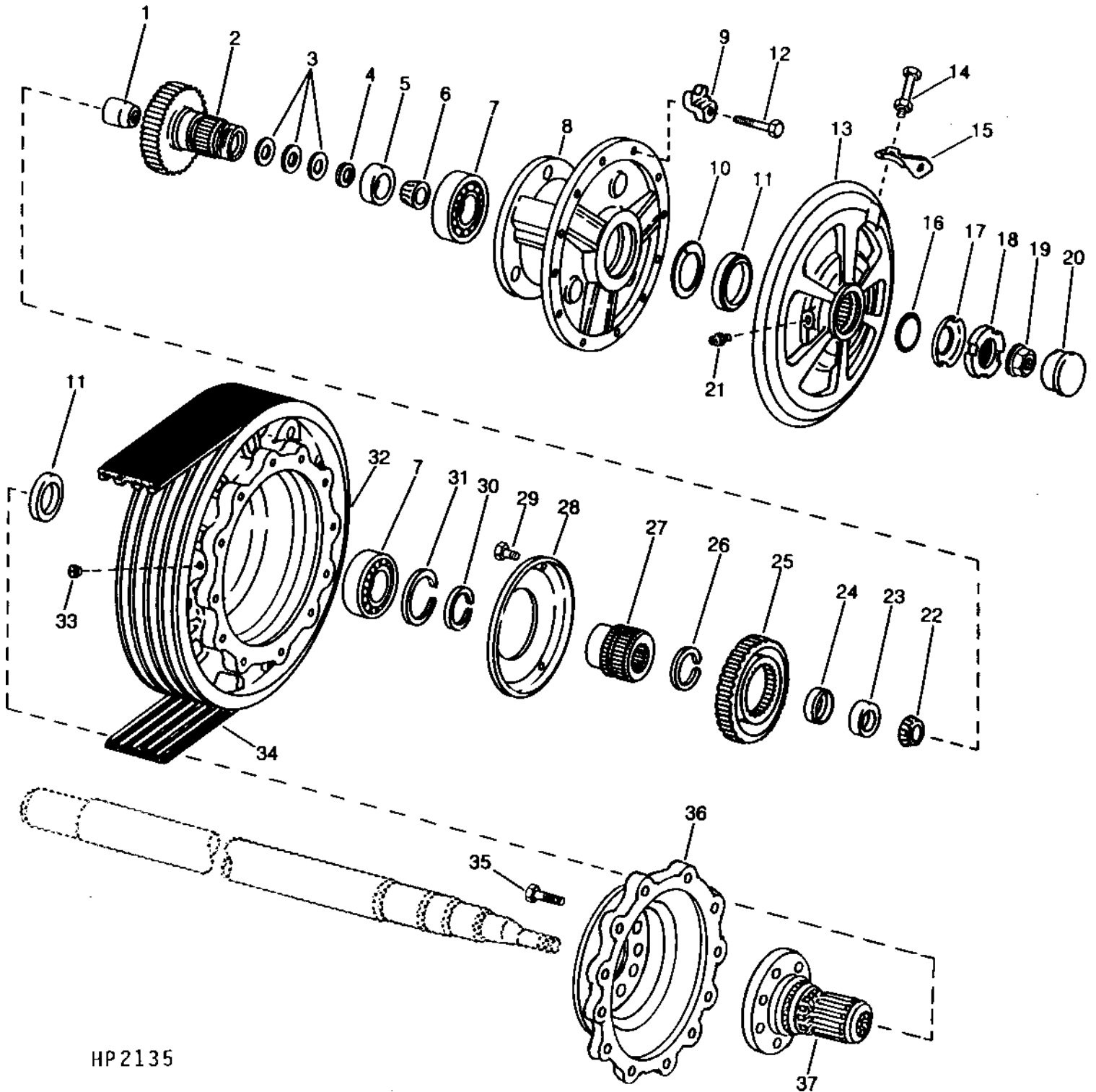
2B11

SEPARATOR

DUAL-RANGE CYLINDER DRIVE GEAR CASE
(SERIAL NO. 563136-)

HP2135

-UN-01JAN94



HP 2135

2B12

SEPARATOR

DUAL-RANGE CYLINDER DRIVE GEAR CASE - CONTINUED
(SERIAL NO. 563136-)

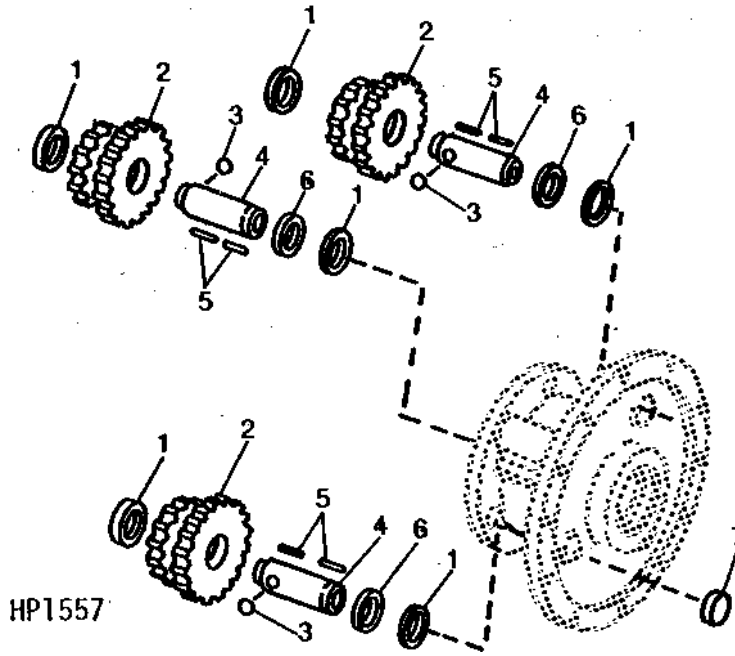
KEY	PART NO.	PART NAME	QTY	SERIAL NO.	REMARKS
1	H111042	SPACER	1		
2	H113063	GEAR	1		46 TEETH
3	H111260	SHIM	AR		.002"
	H111261	SHIM	AR		.004"
	H111262	SHIM	AR		.010"
4	H111041	WASHER	1		
5	JD8239	BEARING CUP	1		
6	JD8960	BEARING CONE	1		
7	AH108801	BALL BEARING	2		
8	H110336	COVER	1	-600000	(SUB H118082)
	H118082	COVER	1		
9	H113841	RETAINER	3	-625700	(SUB H127855)
	H127855	RETAINER	3		
10	H117703	SHIM	1		
11	AH112883	SEAL	1		
12	19H1800	CAP SCREW	12		3/8" X 1-1/2"
	12H304	LOCK WASHER	9	-625700	3/8"
	24H1305	WASHER	3		13/32" X 13/16" X 0.065"
13	H113208	WHEEL	1		
14	19H1969	CAP SCREW	1		1/4" X 3", (B GRADE SHEAR BOLT)
	M40333	LOCK NUT	1	-625700	
	M63707	LOCK NUT	1		6.350 MM (1/4")
15	H113949	LUG	1	-625700	(SUB H127590)
	H127590	LUG	1		
16	U10063	O-RING	1		
17	H112877	LOCK WASHER	1		
18	E12305	NUT	1		
19	H113238	FLANGE NUT	1		
20	H110521	CAP	1		
21	JD7797	LUBRICATION FITTING	1		1/4", STRAIGHT
22	JD10214	BEARING CONE	1		
23	JD7441	BEARING	1		
24	AH110887	SEAL	1		
25	H113064	GEAR	1		65 TEETH
26	T14323	SNAP RING	1		
27	H110288	BEARING HOUSING W/O BEARING	1		
28	H110337	RING	1		
29	R38131	CAP SCREW	3		
30	R26246	SNAP RING	1		
31	BP13615	SNAP RING	1		
32	H110374	SHEAVE	1		559 MM (22") DIA.
33	AH109056	PIPE PLUG	1		
34	H110375	BELT	1		(STANDARD)
35	19H2676	CAP SCREW	8		
	12H304	LOCK WASHER	8		3/8"
36	H113826	SHEAVE	1		239 MM (9-3/8") DIA. (100 PER CENT BEATER SPEED)
	H113837	SHEAVE	1		314 MM (12-3/8") DIA. (150 PER CENT BEATER SPEED)
37	H110296	HUB	1		
..	T43515	ANTI-SEIZE COMPOUND	1		

2B13

SEPARATOR

HP1557 -UN-01JAN94

DUAL-RANGE CYLINDER DRIVE PINION GEARS (SERIAL NO. 562901-)



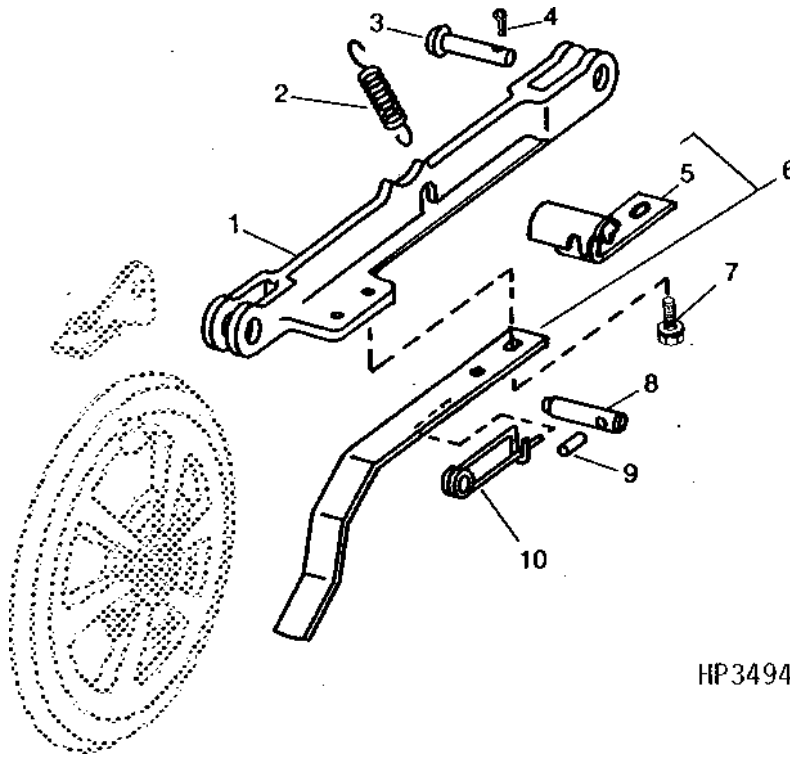
KEY	PART NO.	PART NAME	QTY	SERIAL NO.	REMARKS
1	R71758	THRUST WASHER	6		
2	R71580	PLANET PINION	3		
3	H871R	BALL	3		
4	H113627	PINION SHAFT	3		
5	R66195	NEEDLE ROLLER	132		(6 SETS OF 22)
6	R71756	WASHER	3		
7	H110462	PLUG	3		

2B14

SEPARATOR

HP3494 -UN-01JAN94

DUAL-RANGE CYLINDER DRIVE LOCKOUT ARM (SERIAL NO. 562901-)



HP3494

KEY	PART NO.	PART NAME	QTY	SERIAL NO.	REMARKS
1	H113853	LINK	1		
2	H113209	SPRING	1		
3	45M7070	PIN	1	20 X 70 MM	
4	11M7028	COTTER PIN	1	5 X 32 MM	
5	H113852	RETAINER	1		
6	AH111452	HANDLE	1		
7	N10212	SELF-LOCKING SCREW	2		
8	H110542	PIN	1		
9	34M7036	SPRING PIN	1	5 X 45 MM	
10	H114001	QUICK LOCK PIN	1		

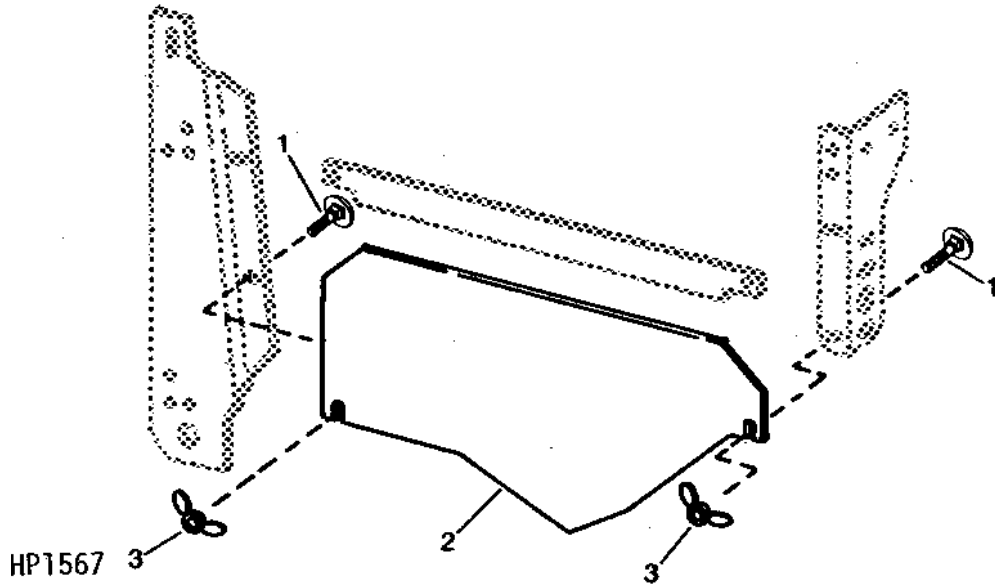
MEMORANDA

2B15

SEPARATOR

HP1567 -UN-01JAN94

DUAL-RANGE CYLINDER DRIVE GEAR CASE SHIELD (SERIAL NO. 562901-)



KEY	PART NO.	PART NAME	QTY	SERIAL NO.	REMARKS
1	03H1765	BOLT	2	3/8" X 3/4"	
2	H111073	SHIELD	1		
3	14H827	WING NUT	2	3/8"	

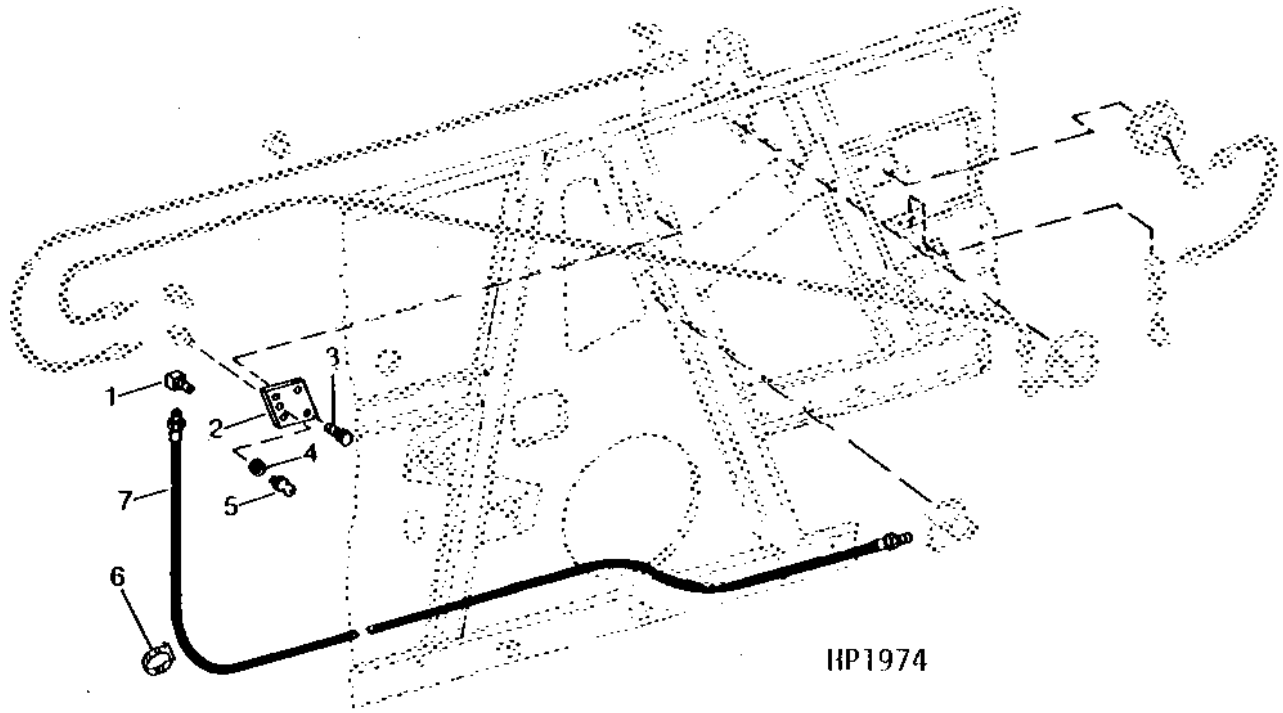
2B16

SEPARATOR

CYLINDER DRIVE COUNTERSHAFT BEARING HOUSING LUBE BANK SYSTEM (RIGHT-HAND SIDE)

HP1974

-UN-01JAN94



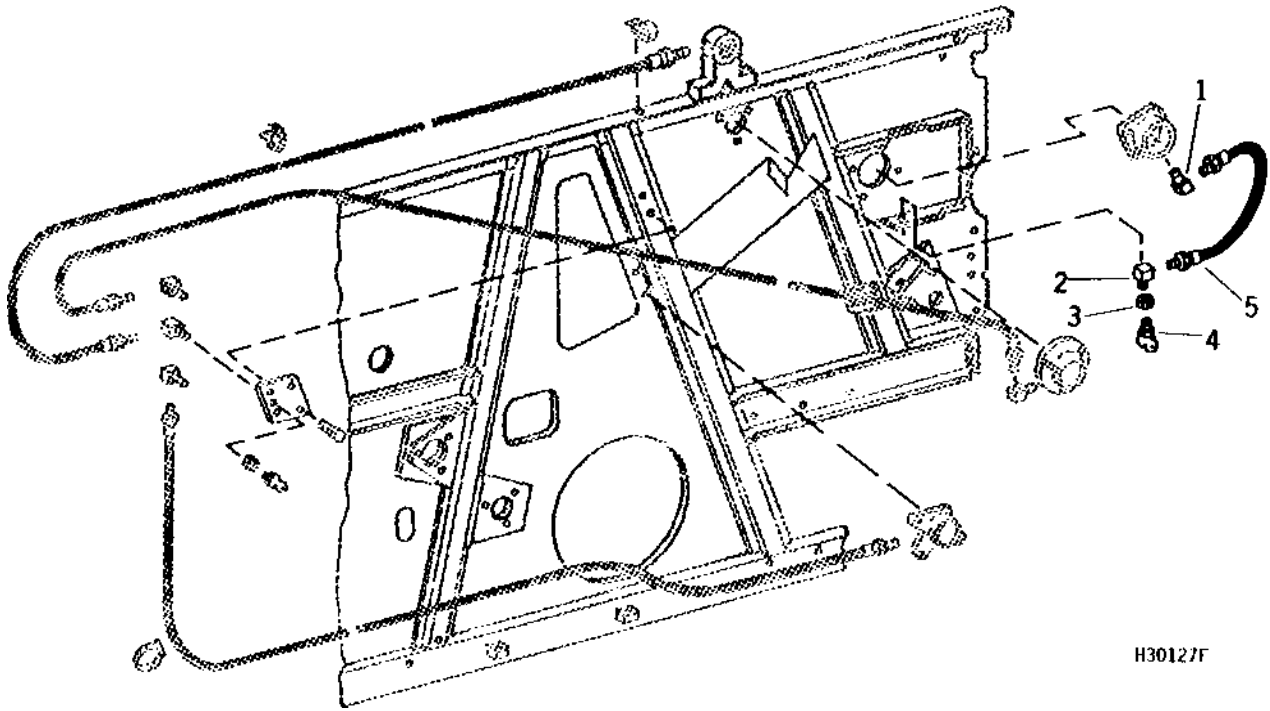
KEY	PART NO.	PART NAME	QTY	SERIAL NO.	REMARKS
1	E12378	ELBOW FITTING	1		90°
2	H98089	SUPPORT	1	-513350	(SUB H109523)
	H109523	SUPPORT	1		(SUB H101262)
	H101262	SUPPORT	1		
3	H76139	SCREW	2		SELF-TAPPING
4	E12379	NUT	1		
5	JD7797	LUBRICATION FITTING	1		STRAIGHT, 1/4"
6	M66044	TIE BAND	1		
7	H99212	HYDRAULIC HOSE	1		475 MM (19") LONG

2B17

SEPARATOR

CYLINDER SHAFT BEARING HOUSING LUBE BANK SYSTEM (RIGHT-HAND SIDE) (SERIAL NO. -513350)

H30127F -UN-01JAN94



H30127F

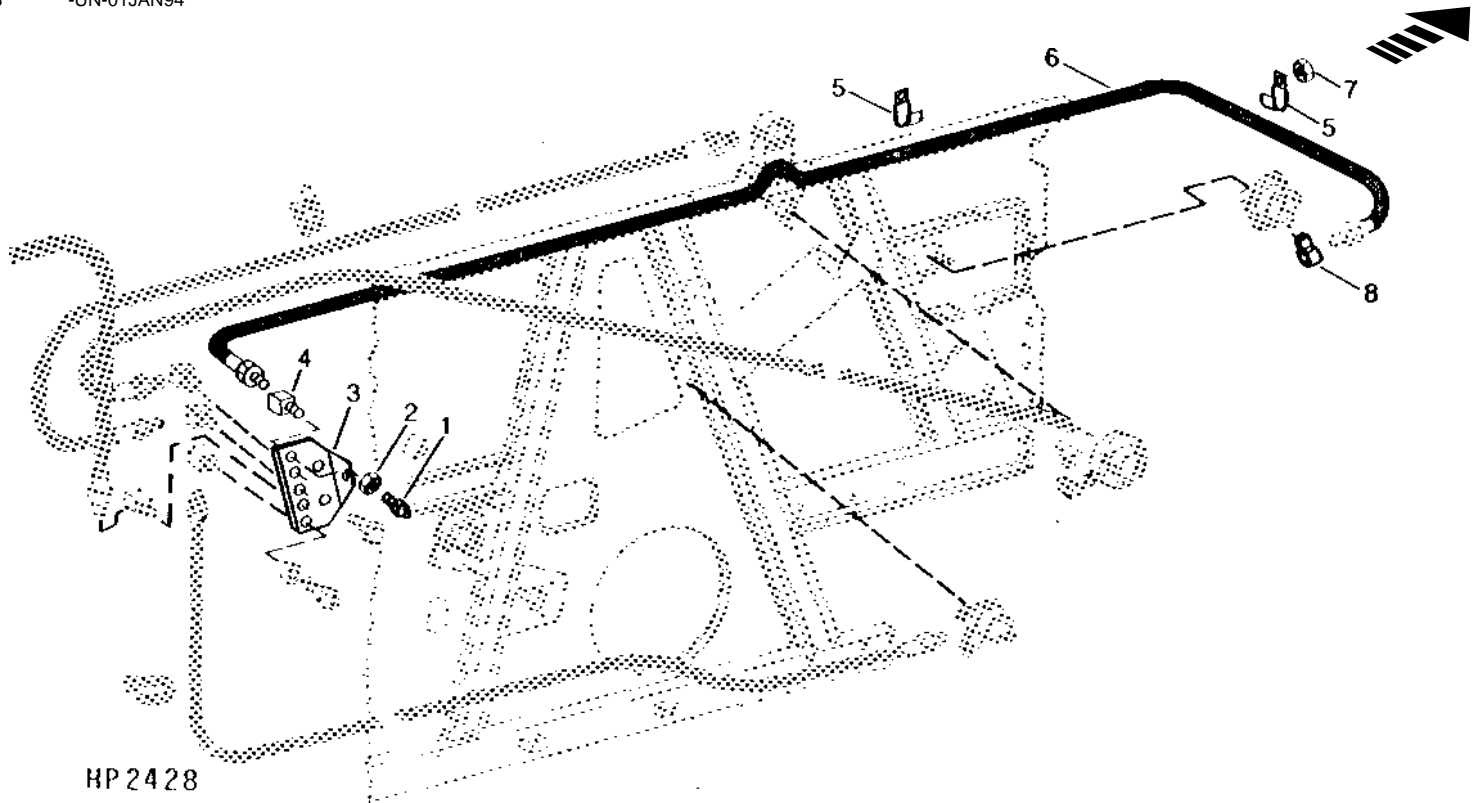
KEY	PART NO.	PART NAME	QTY	SERIAL NO.	REMARKS
1	JD7845	ELBOW FITTING	1		REDUCING, 90°
2	E12378	ELBOW FITTING	1		90°
3	E12379	NUT	1		
4	JD7806	LUBRICATION FITTING	1	-414100	90°, 1/4"
	JD7773	LUBRICATION FITTING	1	404101-	45°
5	H98301	HYDRAULIC HOSE	1		150 MM (6") LONG

2B18

SEPARATOR

CYLINDER SHAFT BEARING HOUSING LUBE BANK SYSTEM
(RIGHT-HAND SIDE)
(SERIAL NO. 513351-)

HP2428 -UN-01JAN94



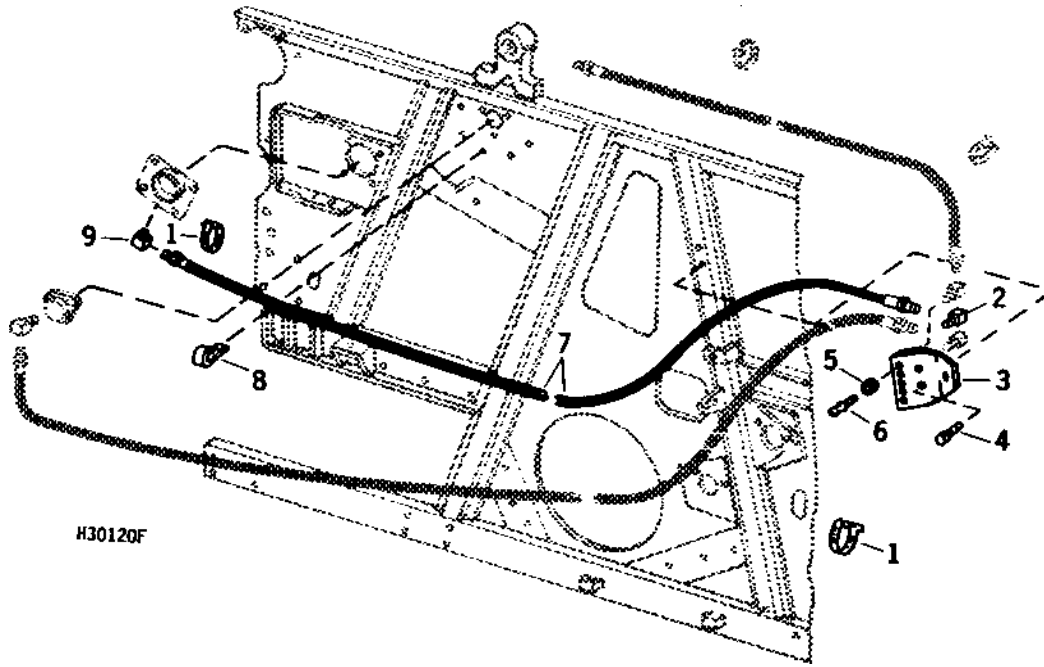
KEY	PART NO.	PART NAME	QTY	SERIAL NO.	REMARKS
1	JD7797	LUBRICATION FITTING	1		STRAIGHT, 1/4"
2	E12379	NUT	1		
3	H109523	SUPPORT	1	-610600	(SUB H101262)
	H101262	SUPPORT	1		
4	E12378	ELBOW FITTING	1		
5	AH89557	CLIP	2		
6	H111472	HOSE	1		1600 MM (63") LONG
7	14H732	NUT	1		3/8"
8	JD7845	ELBOW FITTING	1		REDUCING, 90°

2B19

SEPARATOR

CYLINDER SHAFT BEARING LUBE BANK SYSTEM (LEFT-HAND SIDE)

H30120F -UN-01JAN94



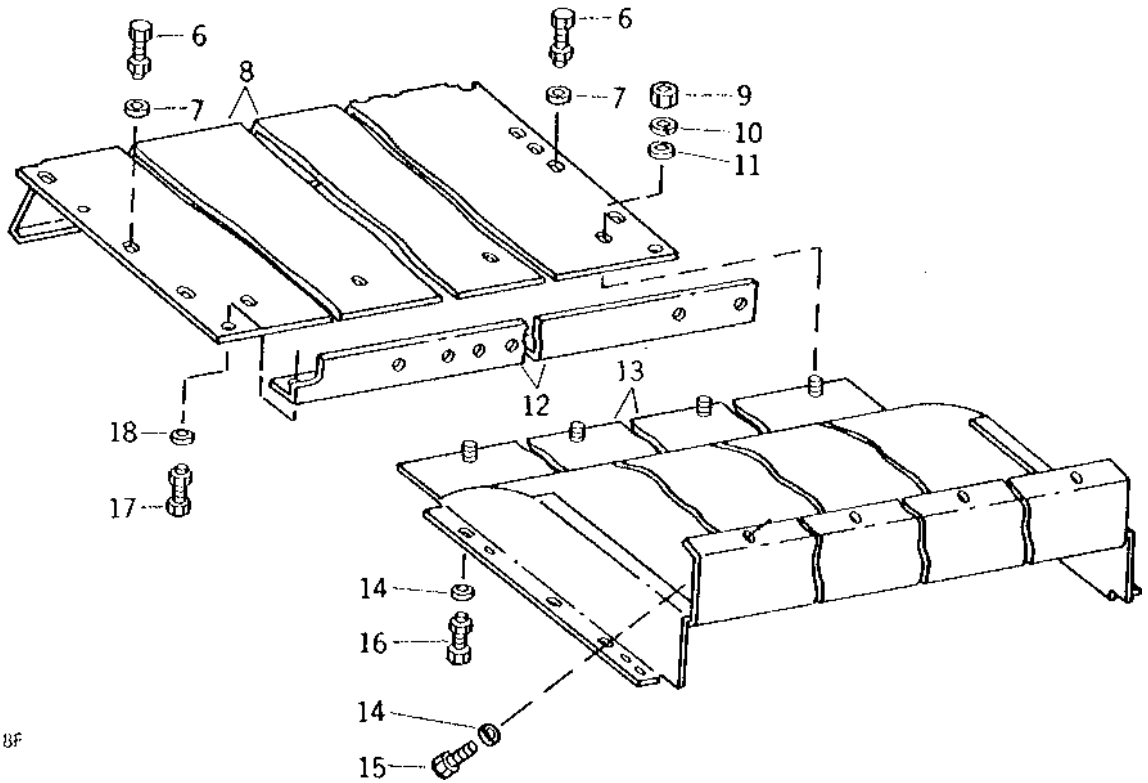
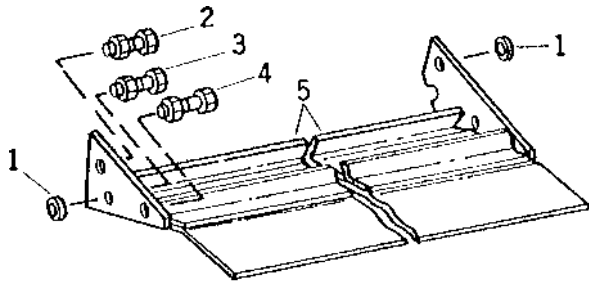
KEY	PART NO.	PART NAME	QTY	SERIAL NO.	REMARKS
1	M66044	TIE BAND	2		
2	E12378	ELBOW FITTING	1	90°	
3	H101262	SUPPORT	1		
4	H76139	SCREW	2	SELF-TAPPING	
5	E12379	NUT	1		
6	JD7797	LUBRICATION FITTING	1	STRAIGHT, 1/4"	
7	H98306	HOSE	1	-615300	(SUB H111472)
	H111472	HOSE	1		
8	AH89557	CLIP	1		
9	JD7845	ELBOW FITTING	1	REDUCING, 90°	

2B20

SEPARATOR

H30118F -UN-01JAN94

CYLINDER COVERS



H30118F

2B21

SEPARATOR

CYLINDER COVERS - CONTINUED

KEY	PART NO.	PART NAME	QTY	SERIAL NO.	REMARKS
1	24H1308	WASHER	2	13/32" X 1" X 0.134"	
2	19H1777	CAP SCREW	2	1/2" X 1-3/4"	
	12H301	LOCK WASHER	2	1/2"	
	14H1040	NUT	2	1/2"	
3	19H1731	CAP SCREW	2	3/8" X 1"	
	12H304	LOCK WASHER	2	3/8"	
	14H812	NUT	2	3/8"	
4	19H1831	CAP SCREW	1	1/2" X 2", (L.H. SIDE)	
	19H1815	CAP SCREW	1	1/2" X 1-1/4", (R.H. SIDE)	
	12H301	LOCK WASHER	1	1/2"	
	14H1040	NUT	1	1/2"	
5	AH96644	COVER	1	FRONT, CYLINDER	
6	19H1731	CAP SCREW	4	3/8" X 1"	
	N10215	LOCK NUT	4		
	19H1900	CAP SCREW	1	5/16" X 3/4", (R.H. SIDE)	
	N10213	LOCK NUT	1	(R.H. SIDE)	
7	24H1682	WASHER	16	13/32" X 7/8" X 0.120"	
8	H92886	SHEET	1	REAR, CYLINDER	
9	14H785	NUT	5	5/16"	
10	12H303	LOCK WASHER	5	5/16"	
11	24H1136	WASHER	AR	11/32" X 11/16" X 0.065"	
12	H98859	ANGLE	1		
13	AH98086	DEFLECTOR	1		
14	24H1224	WASHER	AR	11/32" X 1" X 1/16"	
15	H65108	SCREW	5	SELF-TAPPING	
16	19H1732	CAP SCREW	3	3/8" X 1-1/4"	
	24H1305	WASHER	3	13/32" X 13/16" X 0.065"	
	N10215	LOCK NUT	3		
17	19H1732	CAP SCREW	2	3/8" X 1-1/4"	
	N10215	LOCK NUT	2		
18	24H1305	WASHER	3	13/32" X 13/16" X 0.065", (R.H. SIDE)	
..	AH139184	KIT	1	(INCLUDES AH96644, AH98086 AND H92886)	

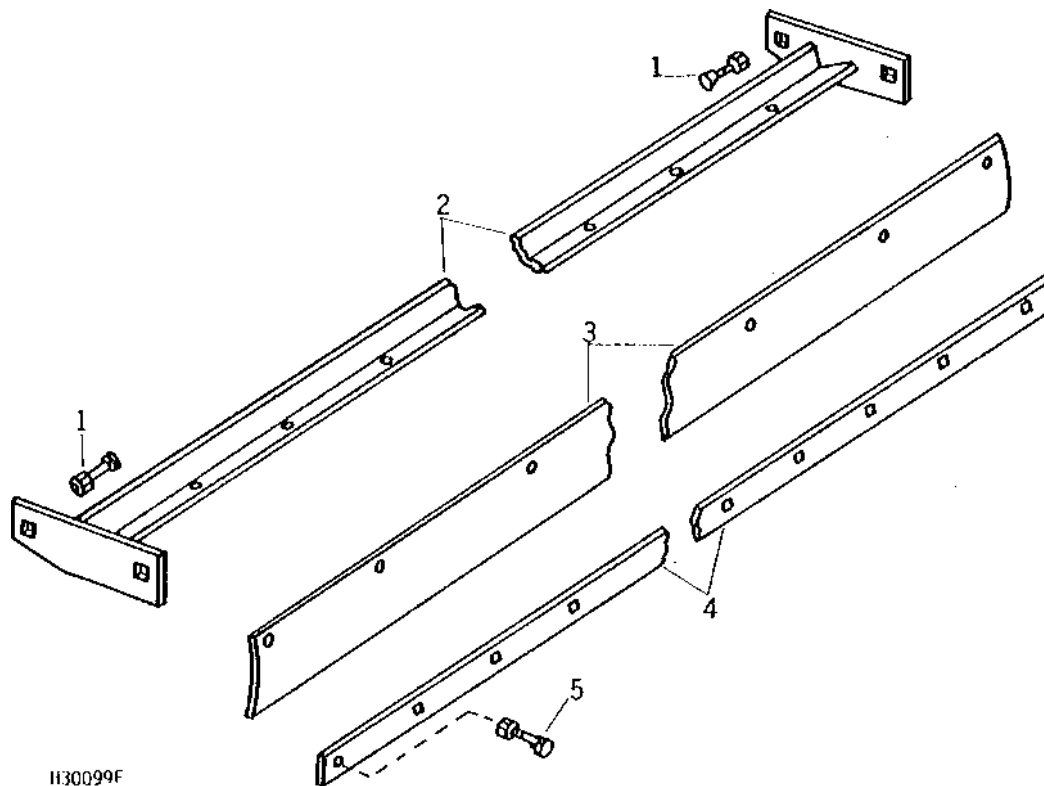
MEMORANDA

2B22

SEPARATOR

H30099F -UN-01JAN94

CYLINDER SHEAR BAR



H30099F

KEY	PART NO.	PART NAME	QTY	SERIAL NO.	REMARKS
1	03H1522	BOLT	4	1/2" X 1-1/4"	
	12H301	LOCK WASHER	4	1/2"	
	14H1040	NUT	4	1/2"	
2	AH76256	BAR	1		
3	H77512	SEAL	1		
4	H77514	STRAP	1		
5	03H1825	BOLT	8	5/16" X 1-1/2"	
	14H785	NUT	8	5/16"	

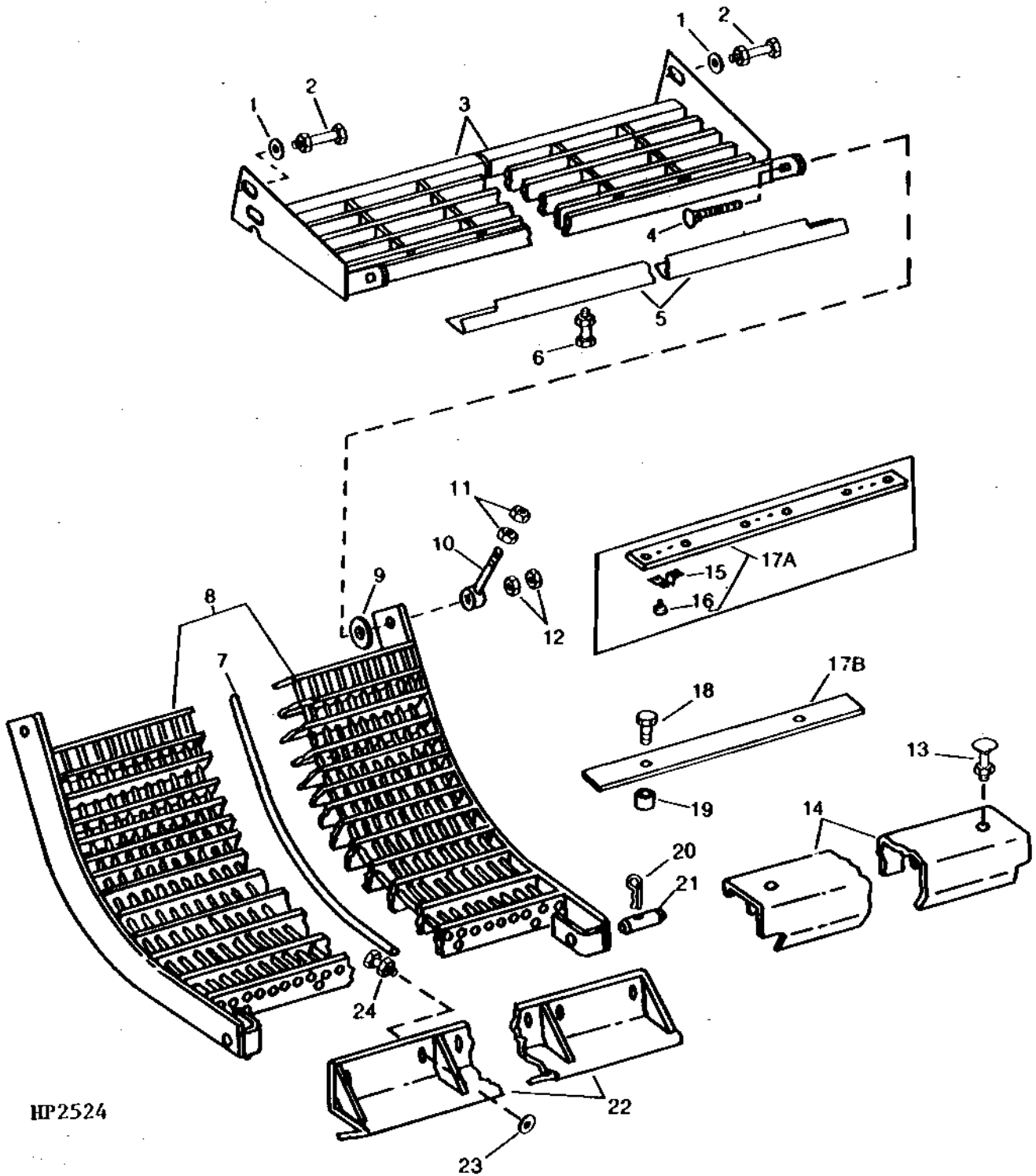
2B23

SEPARATOR

HP2524

-UN-01JAN94

OPEN-BAR CONCAVE



HP2524

2B24

SEPARATOR

OPEN-BAR CONCAVE - CONTINUED

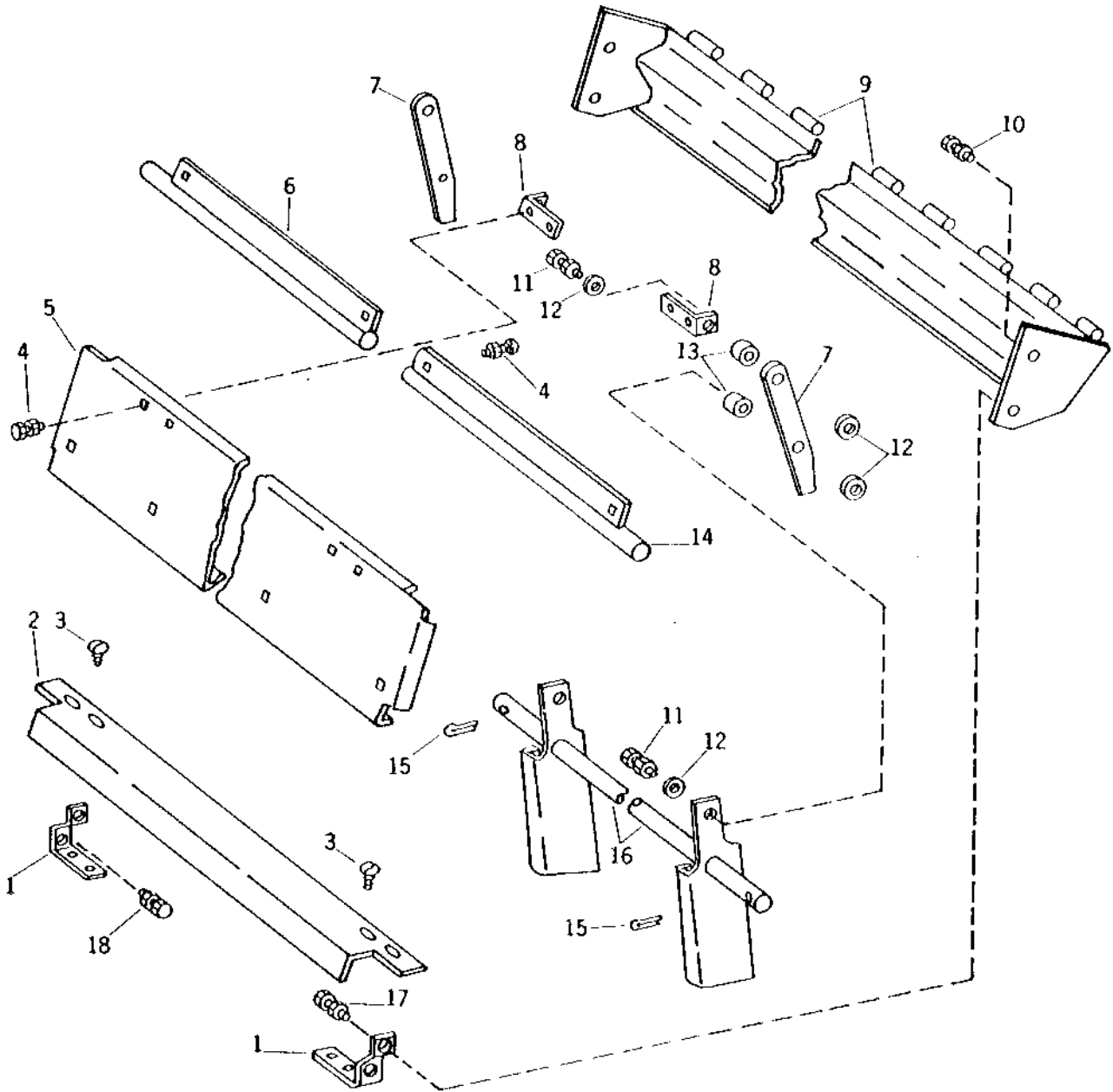
KEY	PART NO.	PART NAME	QTY	SERIAL NO.	REMARKS
1	24H1111	WASHER	2		17/32" X 1-1/16" X 0.090"
2	19H1815	CAP SCREW	2		1/2" X 1-1/4"
	12H301	LOCK WASHER	2		1/2"
	14H1040	NUT	2		1/2"
3	AH96369	GRATE	1	-463657	(SUB AH106723)
	AH106723	GRATE	1		
4	03H2240	BOLT	2		3/4" X 3"
5	H97829	RETAINER	1	-414100	(SUB AH106280)
	AH106280	RETAINER	1	-463600	(SUB AH108735)
	AH108735	RETAINER	1	-600000	
	H116275	RETAINER	1	600001-	(USE WITH AH113443)
6	19H1732	CAP SCREW	9		3/8" X 1-1/4"
	12H304	LOCK WASHER	9		3/8"
	14H812	NUT	9		3/8"
7	H97824	PIN	51	-600000	
	H84857	DOWEL PIN	51	600001-	
8	AH96413	CONCAVE	1	-404100	(SUB AH105068)
	AH105068	CONCAVE	1	-463600	(SUB AH108865)
	AH108865	CONCAVE	1	-600000	(SUB AH113443)
	AH113443	CONCAVE	1		(USE WITH H116275)
9	H84869	BUSHING	2		
10	H84292	EYEBOLT	2		
11	14H821	NUT	4		5/8"
12	14H794	NUT	4		3/4"
13	03H2120	BOLT	6		3/8" X 3-3/4"
	12H304	LOCK WASHER	6		3/8"
	14H812	NUT	6		3/8"
14	AH90701	COVER	1		
15	P45427	CLIP	8	-615300	(PER PLATE) (USE WITH AH85382)
16	16H235	RIVET	16	-615300	3/16" X 1/4", (PER PLATE) (USE WITH AH85382)
17A	AH85382	PLATE	10	-615300	
17B	H119096	STRAP	10	615301-	
18	19H1732	CAP SCREW	3		3/8" X 1-1/4", (PER PLATE) (USE WITH H119096)
19	AH118989	ISOLATOR	3		(PER PLATE) (USE WITH H119096)
20	11H218	COTTER PIN	2		3/16" X 1-1/2"
21	H84867	PIN	2		
22	AH90842	SEPARATOR	1		STONE TRAP
23	24H1305	WASHER	9		13/32" X 13/16" X 0.065"
24	19H2552	CAP SCREW	9		3/8" X 1-1/8"
	12H304	LOCK WASHER	9		3/8"
	14H812	NUT	9		3/8"

2C1

SEPARATOR

H30107F -UN-01JAN94

REMOTE DUMP STONE TRAP



H30107F

REMOTE DUMP STONE TRAP - CONTINUED

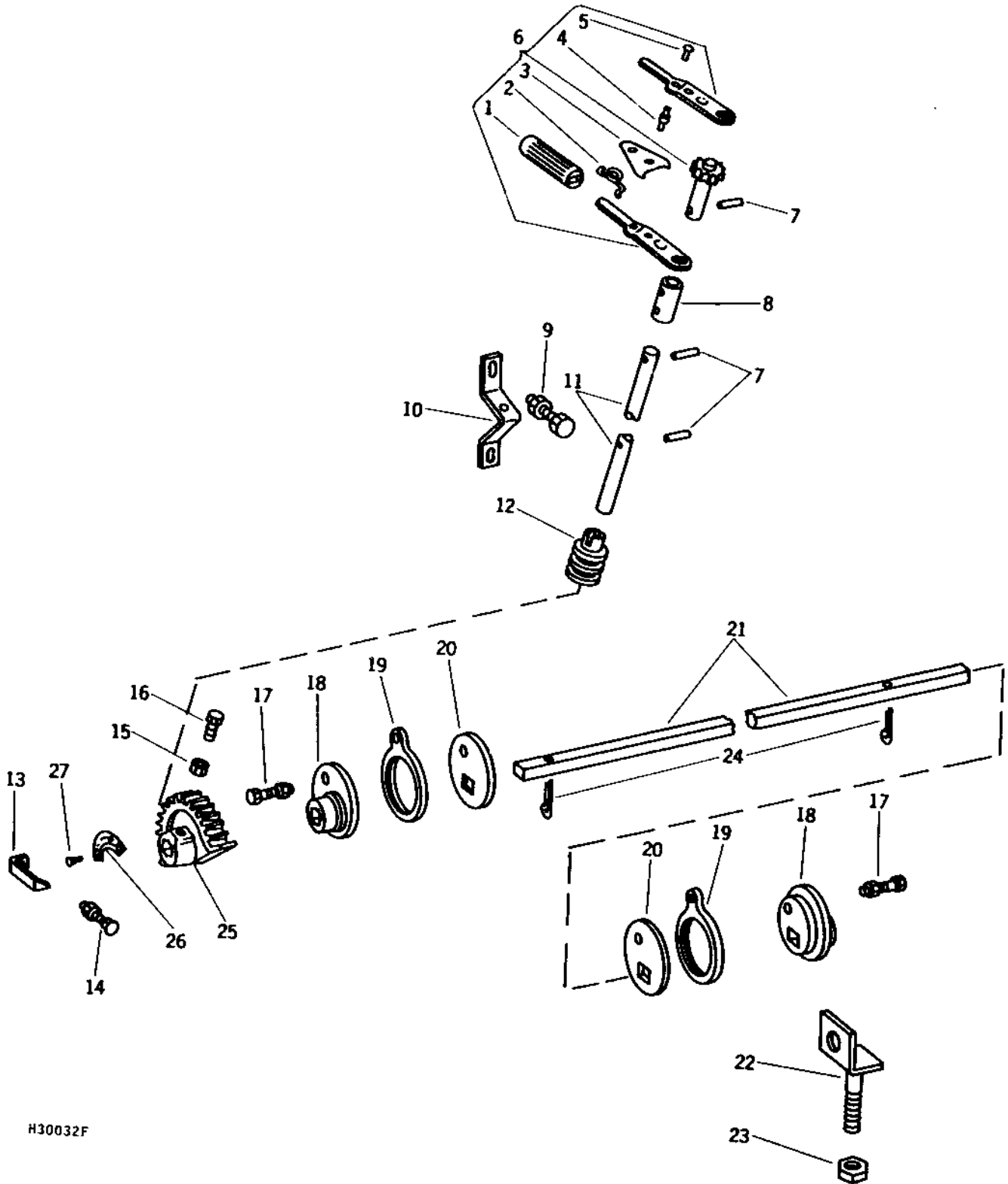
KEY	PART NO.	PART NAME	QTY	SERIAL NO.	REMARKS
1	H89654	SUPPORT	2		
2	H89656	DEFLECTOR	1		
3	H76139	SCREW	4		SELF-TAPPING
4	03H1268	BOLT	8		5/16" X 3/4"
	12H303	LOCK WASHER	8		5/16"
	14H785	NUT	8		5/16"
5	AH96393	DOOR	1		
6	AH96024	SUPPORT	1		DOOR, PIVOT, R.H.
7	H89653	LINK	2		
8	H89649	BRACKET	2		
9	AH90845	SUPPORT	1		
10	19H1732	CAP SCREW	2		3/8" X 1-1/4"
	12H304	LOCK WASHER	2		3/8"
	14H812	NUT	2		3/8"
11	19H1849	CAP SCREW	4		5/16" X 1-1/4"
	12H303	LOCK WASHER	8		5/16"
	14H785	NUT	4		5/16"
12	24H1822	WASHER	8		11/32" X 7/8" X 1/16"
13	28H1883	SPACER	4		1/4" X 1/2"
14	AH96025	SUPPORT	1		DOOR, PIVOT, L.H.
15	11H218	COTTER PIN	2		3/16" X 1-1/2"
16	AH90698	SHAFT	1		
17	19H1800	CAP SCREW	2		3/8" X 1-1/2"
	12H304	LOCK WASHER	2		3/8"
	14H812	NUT	2		3/8"
18	19H2284	CAP SCREW	2		3/8" X 7/8"
	12H304	LOCK WASHER	2		3/8"
	14H812	NUT	2		3/8"

2C3

SEPARATOR

H30032F -UN-01JAN94

CONCAVE ADJUSTING SHAFT AND RATCHET



H30032F

2C4

SEPARATOR

CONCAVE ADJUSTING SHAFT AND RATCHET - CONTINUED

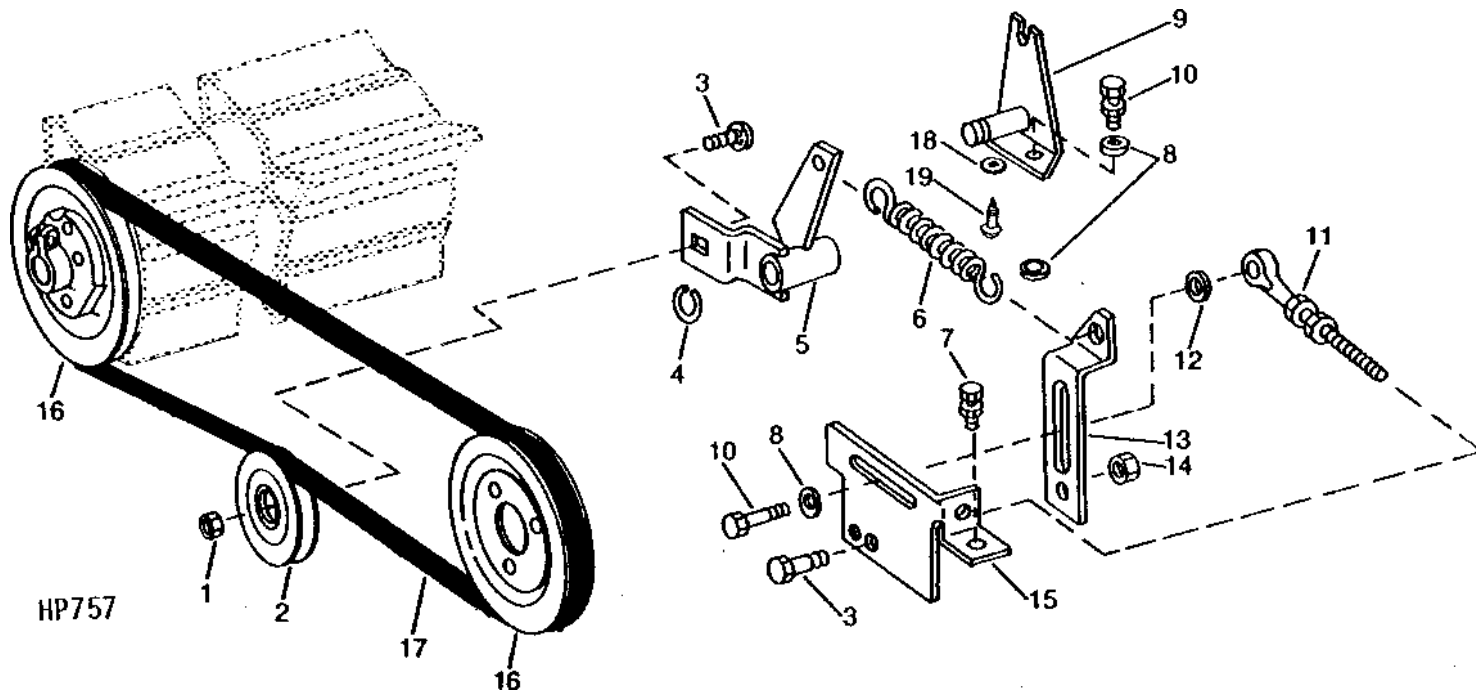
KEY	PART NO.	PART NAME	QTY	SERIAL NO.	REMARKS
1	H83058	GRIP	1		
2	H76523	SPRING	1		
3	H76522	PAWL	1		
4	P46115	RIVET	1		
5	16H658	RIVET	1		1/4" X 5/8"
6	AH97871	RATCHET	1		
7	34H283	SPRING PIN	3		3/16" X 1-1/8"
8	H79860	BUSHING	1		
9	19H1831	CAP SCREW	2		1/2" X 2"
	14H826	NUT	2		1/2"
10	H79862	SUPPORT	1		
11	H79861	PIN	1		
12	H100400	GEAR	1		
13	H85229	POINTER	1		
14	03H1540	BOLT	1		5/16" X 3/4"
	14H785	NUT	1		5/16"
15	14H732	NUT	1		3/8"
16	22H853	SET SCREW	1		3/8" X 7/8"
17	19H1906	CAP SCREW	2		5/16" X 1-1/2"
	14H785	NUT	2		5/16"
18	H89619	CAM	2	-625300	(SUB H132710)
	H132710	CAM	2		
19	H85372	LINK	2		
20	H75367	PLATE	2		
21	H75364	SHAFT	1		
22	AH90840	BOLT	1	-625300	(SUB AH127710)
	AH127710	BOLT	1		
23	14H794	NUT	2		3/4"
24	11H222	COTTER PIN	2		3/16" X 2"
25	H82447	SECTOR	1	-615300	(SUB H131502, THIS APPLICATION)
	H131502	SECTOR	1		
26	H82445	PLATE	1		
27	P43110	SCREW	2		

2C5

SEPARATOR

**BEATER DRIVE
(100 PER CENT BEATER SPEED)
(SERIAL NO. -414100)**

HP757 -UN-01JAN94



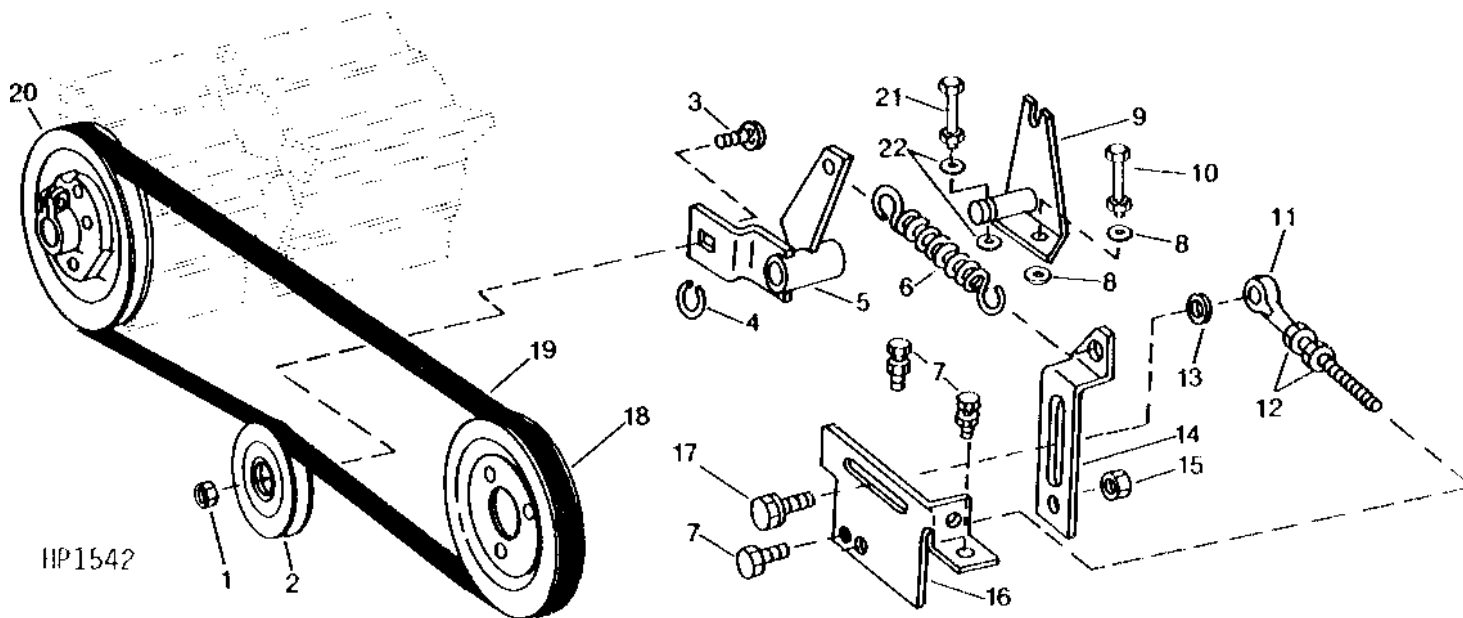
KEY	PART NO.	PART NAME	QTY	SERIAL NO.	REMARKS
1	H79449	LOCK NUT	1	-615300	
	K40014	LOCK NUT	1	615301-	
2	AH93171	IDLER	1		140 MM (5-3/4") DIA.
3	03H1731	BOLT	1		1/2" X 1-1/2"
4	U17408	RING	1		
5	AH93154	ARM	1	-463600	(SUB AH101397, AH107809, 24H1136 AND 37H29)
	AH101397	ARM	1		
6	H100681	SPRING	1		
7	19H1731	CAP SCREW	3		3/8" X 1"
	12H304	LOCK WASHER	2		3/8"
	14H812	NUT	2		3/8"
8	24H1682	WASHER	2	-463600	13/32" X 7/8" X 0.120"
	24H1682	WASHER	2	463601-	13/32" X 7/8" X 0.120"
9	AH93181	BRACKET	1	-463600	(SUB AH101397, AH107809, 24H1136 AND 37H29)
	AH107809	BRACKET	1		
10	19H1732	CAP SCREW	3		3/8" X 1-1/4"
	12H304	LOCK WASHER	2		3/8"
	14H812	NUT	2		3/8"
11	H96410	EYEBOLT	1		
12	24H1308	WASHER	1		13/32" X 1" X 0.134"
13	H96411	ARM	1		
14	H99923	LOCK NUT	1		
15	H96409	BRACKET	1	-414100	(SUB H103646)
	H103646	BRACKET	1		
16	AH94959	SHEAVE	2		241 MMM (9-1/2") DIA.
17	H96414	BELT	1		
18	24H1136	WASHER	1	463601-	11/32" X 11/16" X 0.065"
19	37H29	SCREW	1	463601-	5/16" X 5/8"

2C6

SEPARATOR

**BEATER DRIVE
(150 PER CENT BEATER SPEED)
(SERIAL NO. 414101-562900)**

HP1542 -UN-01JAN94



KEY	PART NO.	PART NAME	QTY	SERIAL NO.	REMARKS
1	H79449	LOCK NUT	1	-615300	
	K40014	LOCK NUT	1	615301-	
2	AH93171	IDLER	1		140 MM (5-3/4") DIA.
3	03H1731	BOLT	1		1/2" X 1-1/2"
4	U17408	RING	1		
5	AH101397	ARM	1		
6	H100681	SPRING	1		
7	19H1731	CAP SCREW	3		3/8" X 1"
	12H304	LOCK WASHER	2		3/8"
8	14H812	NUT	2		3/8"
	24H1682	WASHER	1	-562900	13/32" X 7/8" X 0.120"
	24H1136	WASHER	2	562901-	11/32" X 11/16" X 0.065"
9	AH101424	BRACKET	1		
10	19H1732	CAP SCREW	2	-463600	3/8" X 1-1/4"
	19H1732	CAP SCREW	1	463601-630000	3/8" X 1-1/4"
	12H304	LOCK WASHER	2	-463600	3/8"
	12H304	LOCK WASHER	1	463601-630000	3/8"
	14H812	NUT	2	-463600	3/8"
	14H812	NUT	1	463601-630000	3/8"
	19H1849	CAP SCREW	1	630001-	5/16" X 1-1/4"
	12H303	LOCK WASHER	1	630001-	5/16"
11	14H785	NUT	1	630001-	5/16"
11	H96410	EYEBOLT	1		
12	14H812	NUT	2		3/8"
13	24H1308	WASHER	1		13/32" X 1" X 0.134"
14	H96411	ARM	1		
15	H95174	LOCK NUT	1		
16	H103646	BRACKET	1		
17	N15234	BOLT	1		
18	AH101245	SHEAVE	1		318 MM (12-1/2") DIA.
19	H101469	BELT	1		
20	AH101244	SHEAVE	1		216 MM (8-1/2") DIA.
21	19H1849	CAP SCREW	1	463601-	5/16" X 1-1/4"
	12H303	LOCK WASHER	1	463601-	5/16"
	14H785	NUT	1	463601-	5/16"
22	24H1136	WASHER	2	463601-	11/32" X 11/16" X 0.065"

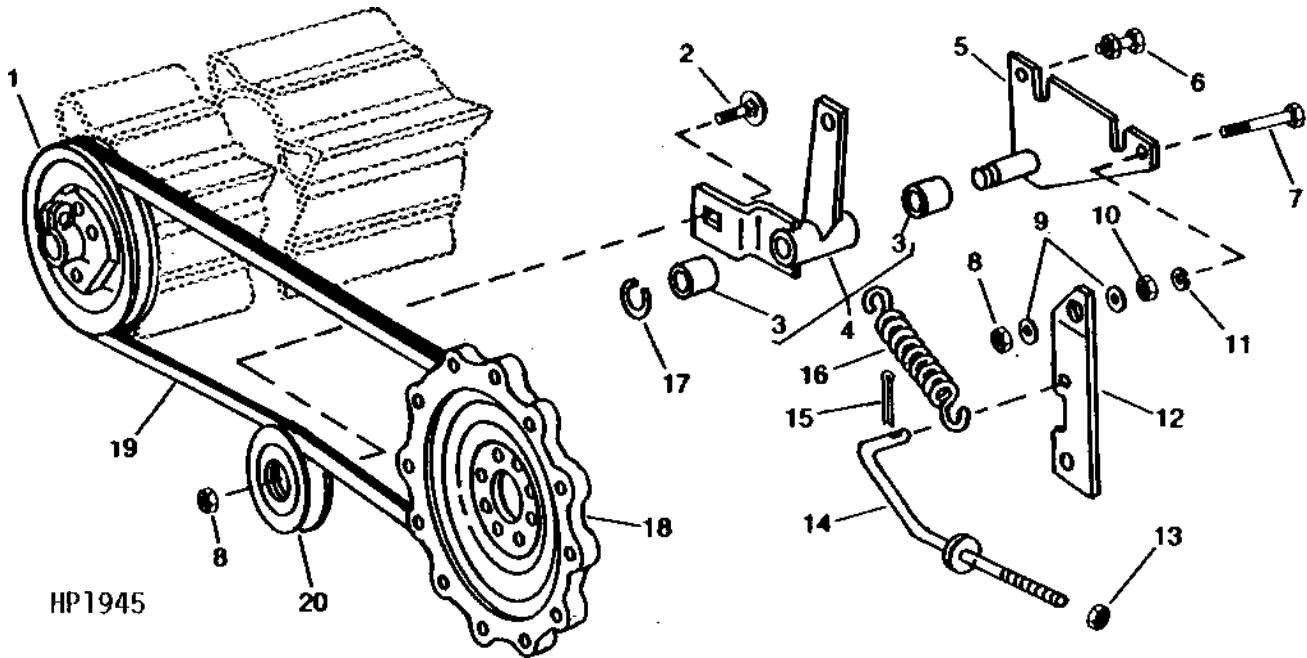
MEMORANDA

2C7

SEPARATOR

BEATER DRIVE (DUAL-RANGE CYLINDER DRIVE)
(SERIAL NO. 562901-)

HP1945 -UN-01JAN94



KEY	PART NO.	PART NAME	QTY	SERIAL NO.	REMARKS
1	AH101244	SHEAVE	1		213 MM (8-3/8") DIA.
2	03H1731	BOLT	1		1/2" X 1-1/2"
3	H94114	BUSHING	2		
4	AH111477	ARM	1		
5	AH111474	PIVOT	1		
6	03H1522	BOLT	1		1/2" X 1-1/4"
	12H301	LOCK WASHER	1		1/2"
	14H1040	NUT	1		1/2"
7	19H2420	CAP SCREW	1		1/2" X 2-1/2"
8	H79449	LOCK NUT	2	-615300	
	K40014	LOCK NUT	2	615301-	
9	24H1111	WASHER	1		17/32" X 1-1/16" X 0.090"
10	14H1040	NUT	1		1/2"
11	12H301	LOCK WASHER	1		1/2"
12	H113914	LINK	1		
13	14H812	NUT	1		3/8"
14	AH111473	ROD	1		
15	11H211	COTTER PIN	1		1/8" X 3/4"
16	H100681	SPRING	1		
17	U17408	RING	1		
18	H113837	SHEAVE	1		325 MM (12-13/16") DIA.
19	H101469	BELT	1		
20	AH93171	IDLER	1		140 MM (5-3/4") DIA.

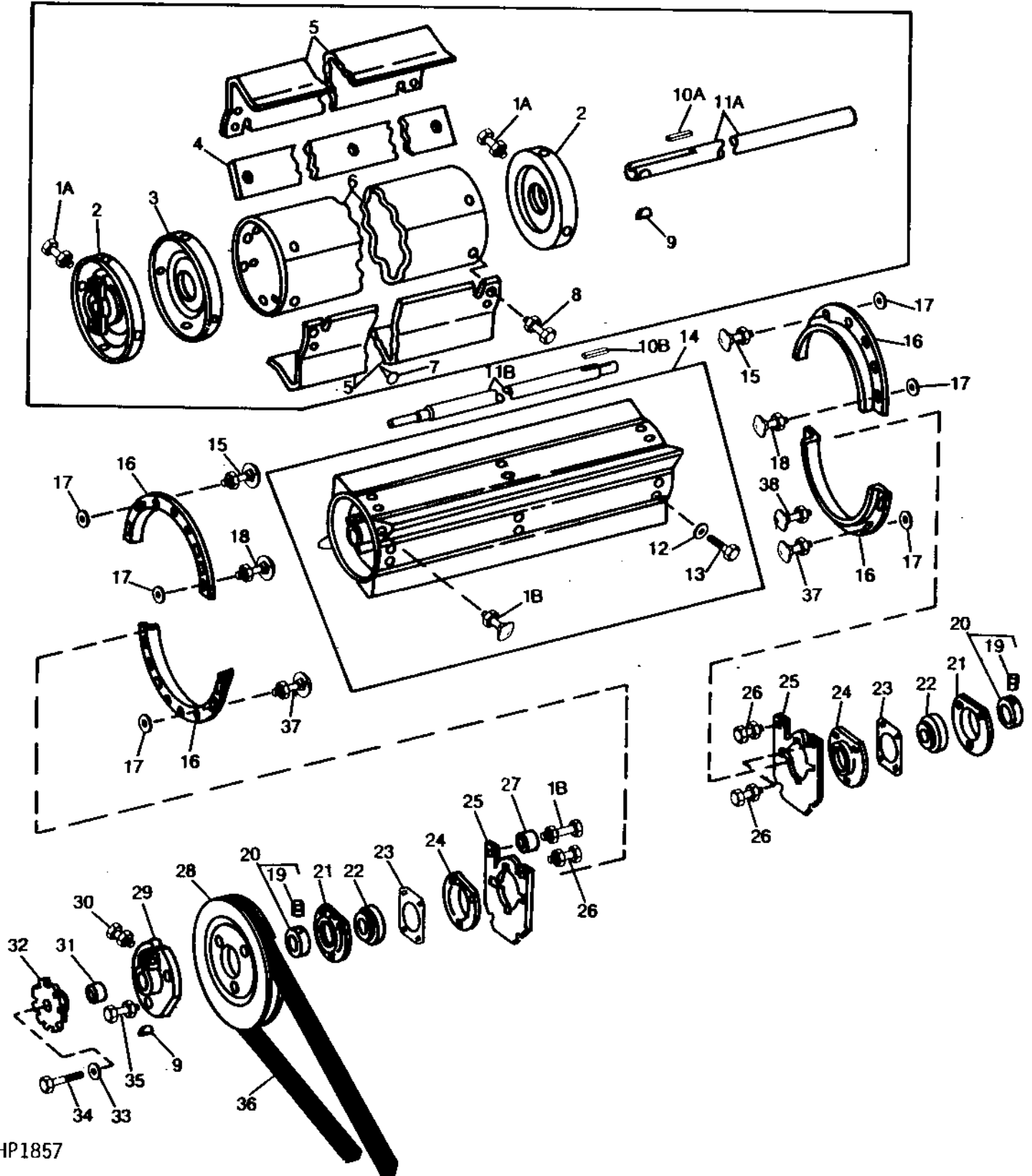
2C8

SEPARATOR

BEATER AND DRIVE FOR CYLINDER TACHOMETER (SERIAL NO. -600000)

HP1857

-UN-01JAN94



HP1857

BEATER AND DRIVE FOR CYLINDER TACHOMETER - CONTINUED
(SERIAL NO. -600000)

KEY	PART NO.	PART NAME	QTY	SERIAL NO.	REMARKS
1A	03H1439	BOLT	2	-463600	1/2" X 1-3/4"
	12H301	LOCK WASHER	2	-463600	1/2"
	14H1040	NUT	2	-463600	1/2"
1B	03H1439	BOLT	3		1/2" X 1-3/4"
	12H301	LOCK WASHER	3		1/2"
	14H1040	NUT	3		1/2"
2	AH92070	CYLINDER HEAD	2		
3	AH101474	CYLINDER HEAD	2	-463600	(SUB AH108530)
4	H109247	STRAP	1	-463600	(SUB AH108530)
5	H101801	BEATER	4		
6	H101800	DRUM	1		
7	H77931	SCREW	4	-463600	(150 PER CENT BEATER SPEED) (GRAIN AND RICE)
8	19H1731	CAP SCREW	12	-363234	3/8" X 1"
	19H1732	CAP SCREW	24	363235-463600	3/8" X 1-1/4"
	12H304	LOCK WASHER	12	-463600	3/8"
9	26H42	SHAFT KEY	1		3/8" X 2-1/8"
10A	KEY	1	-463600	(3/8" X 3/8" X 1-1/2") (CUT FROM H64376 IN AH64587 KEY STOCK KIT)
10B	KEY	1		(3/8" X 3/8" X 2") (CUT FROM H64376 IN AH64587 KEY STOCK KIT)
11A	H101840	SHAFT	1	-463600	(SUB H110001)
11B	H110001	SHAFT	1		
12	24H1305	WASHER	8		13/32" X 13/16" X 0.065"
13	19H1732	CAP SCREW	24		3/8" X 1-1/4"
	12H304	LOCK WASHER	24		3/8"
14	AH108530	BEATER	1	-600000	(SUB AH114803)
15	03H1540	BOLT	10		5/16" X 3/4"
	12H303	LOCK WASHER	10		5/16"
	14H785	NUT	10		5/16"
16	H98955	SEAL	4		
17	24H1136	WASHER	8		11/32" X 11/16" X 0.065"
18	03H1709	BOLT	5		5/16" X 1"
	12H303	LOCK WASHER	5		5/16"
	14H785	NUT	5		5/16"
19	22H775	SET SCREW	1		5/16" X 1/4"
20	JD9201	ECCENTRIC LOCKING COLLAR	2		
21	H97606	PRESSED FLANGED HOUSING	2		
22	JD9334	BALL BEARING	2	-463657	(SUB JD9434, THIS APPLICATION)
	JD9434	BEARING	2		
23	H112869	SHIM	1		
24	H97602	PRESSED FLANGED HOUSING	2		
25	H109983	BRACKET	2		
26	03H1522	BOLT	10		1/2" X 1-1/4"
27	C13097	WASHER	2		
28	AH94959	SHEAVE	1		241 MM (9-1/2") DIA. (100 PER CENT BEATER SPEED) (CORN AND BEAN)
	AH101244	SHEAVE	1		216 MM (8-1/2") DIA. (150 PER CENT BEATER SPEED) (GRAIN AND RICE)
29	H100830	HUB	1	-562900	(SUB H113889)
	H113889	HUB	1		
30	19H1831	CAP SCREW	1		1/2" X 2"
	12H301	LOCK WASHER	1		1/2"
	14H1040	NUT	1		1/2"
31	H88338	BUSHING	1	414101-	
32	H100682	WHEEL	1	-414100	(100 PER CENT BEATER SPEED)
	R19N	CHAIN SPROCKET	1	414101-	(150 PER CENT BEATER SPEED)
33	24H1307	WASHER	1	414101-	13/32" X 1" X 1/16"
34	19H1800	CAP SCREW	1	-414100	3/8" X 1-1/2"
	19H3217	CAP SCREW	1	414101-	3/8" X 1-3/4"
	12H304	LOCK WASHER	1		3/8"
35	19H1731	CAP SCREW	3		3/8" X 1"
	12H304	LOCK WASHER	3		3/8"
	14H812	NUT	3		3/8"
36	H96414	BELT	1		(100 PER CENT BEATER SPEED) (CORN AND BEAN)
	H101469	BELT	1		(150 PER CENT BEATER SPEED) (GRAIN AND RICE)
37	03H2321	BOLT	4	463601-	5/16" X 1-1/4"
	12H303	LOCK WASHER	4	463601-	5/16"
	14H785	NUT	4	463601-	5/16"
38	03H2139	BOLT	1		5/16" X 1-1/4"

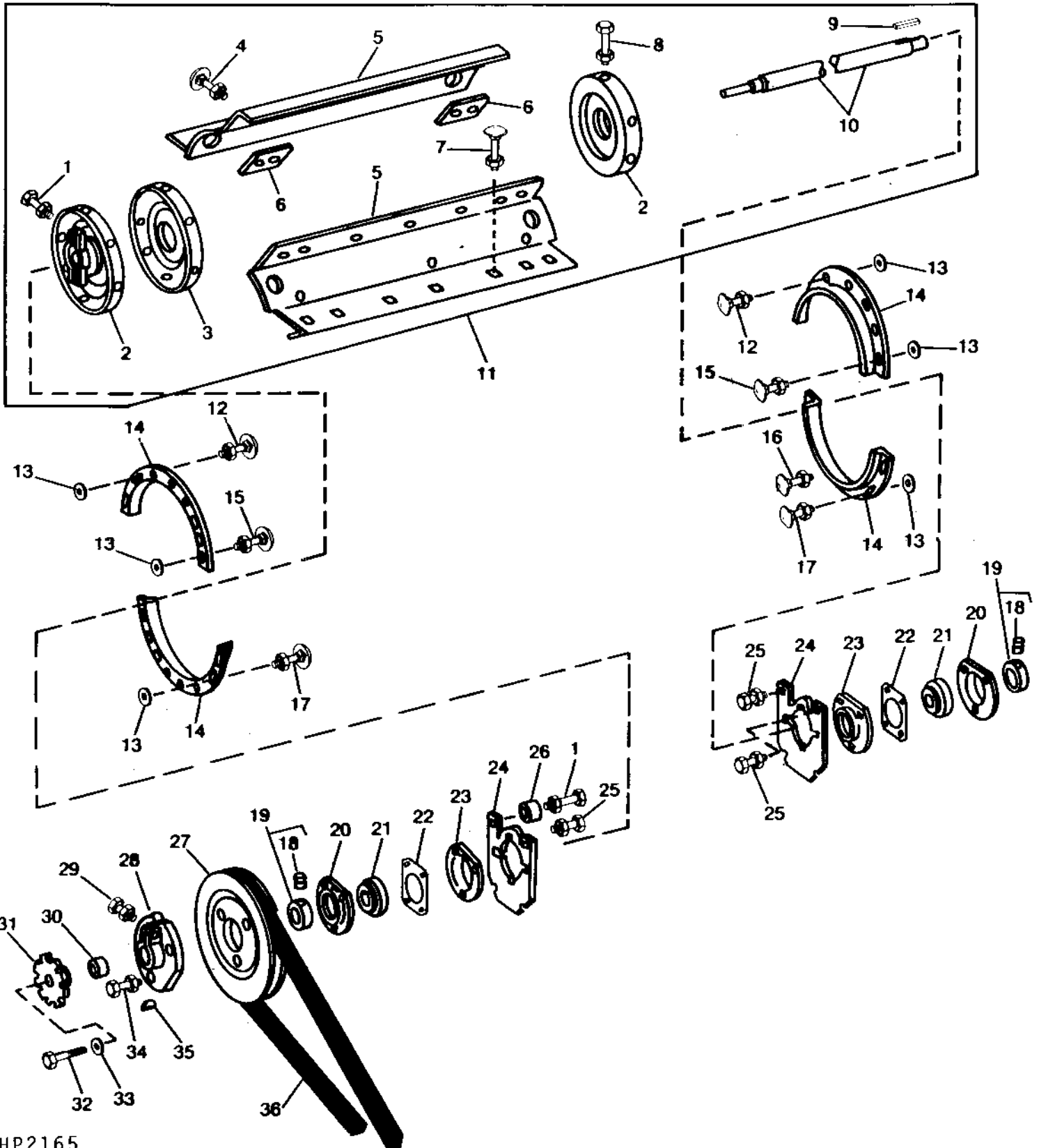
2C10

SEPARATOR

BEATER AND DRIVE FOR CYLINDER TACHOMETER (SERIAL NO. 600001-)

HP2165

-UN-01JAN94



HP2165

2C11

SEPARATOR

BEATER AND DRIVE FOR CYLINDER TACHOMETER - CONTINUED
(SERIAL NO. 600001-)

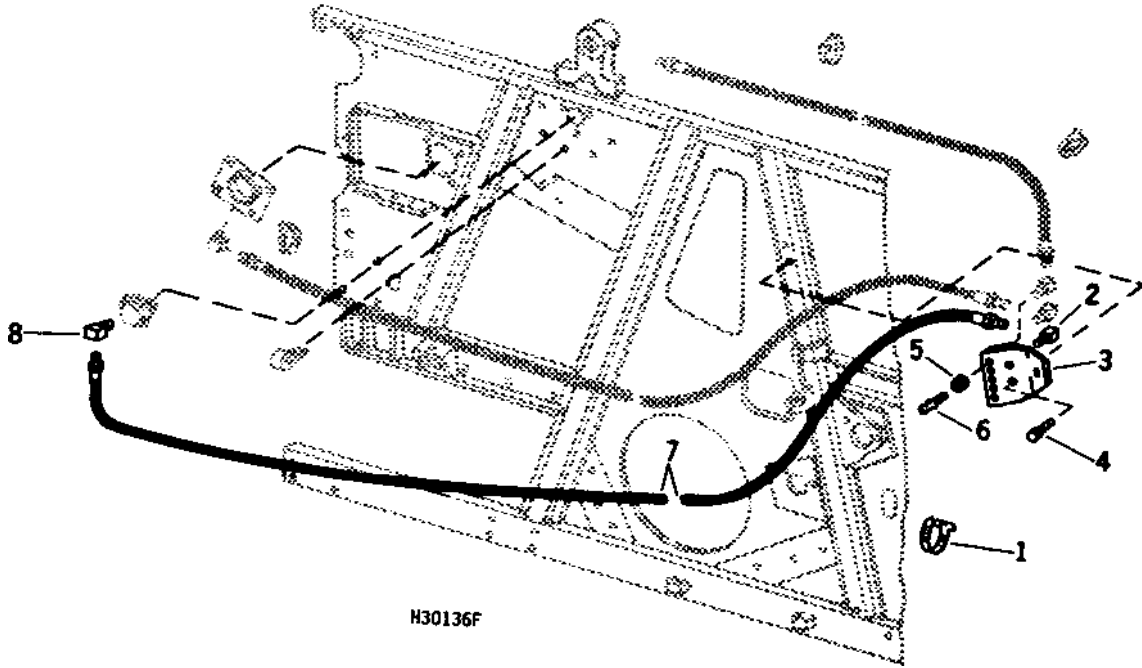
KEY	PART NO.	PART NAME	QTY	SERIAL NO.	REMARKS
1	03H1439	BOLT	4		1/2" X 1-3/4"
	12H301	LOCK WASHER	4		1/2"
	14H1040	NUT	4		1/2"
2	AH113361	CYLINDER HEAD	2		
3	AH113359	CYLINDER HEAD	2		
4	03H1480	BOLT	AR		3/8" X 1-1/4"
	12H304	LOCK WASHER	AR		3/8"
	14H812	NUT	AR		3/8"
5	H117551	BEATER	6		
6	H110734	STRAP	AR		
	H110736	STRAP	AR		
	24H1781	WASHER	AR		13/32" X 7/8" X 1/4", (USE WITH H110734)
	24H1307	WASHER	AR		13/32" X 1" X 1/16", (USE WITH H110736)
7	03H1519	BOLT	36		3/8" X 1"
	12H304	LOCK WASHER	36		3/8"
	14H812	NUT	36		3/8"
8	19H1936	CAP SCREW	24		3/8" X 3/4"
	12H304	LOCK WASHER	24		3/8"
9	KEY	1		(3/8" X 3/8" X 2") (CUT FROM H64376 IN AH64587 KEY STOCK KIT)
10	H110001	SHAFT	1		
11	AH114803	BEATER	1		
12	03H1540	BOLT	10		5/16" X 3/4"
	12H303	LOCK WASHER	10		5/16"
	14H785	NUT	10		5/16"
13	24H1136	WASHER	8		11/32" X 11/16" X 0.065"
14	H98955	SEAL	4		
15	03H1709	BOLT	5		5/16" X 1"
	12H303	LOCK WASHER	5		5/16"
	14H785	NUT	5		5/16"
16	03H2139	BOLT	1		5/16" X 1-1/4"
17	03H2321	BOLT	4		
	12H303	LOCK WASHER	4		5/16"
	14H785	NUT	4		5/16"
18	22H775	SET SCREW	1		5/16" X 1/4"
19	JD9201	ECCENTRIC LOCKING COLLAR	2		
20	H97606	PRESSED FLANGED HOUSING	2		
21	JD9434	BEARING	2		
22	H112869	SHIM	1		
23	H97602	PRESSED FLANGED HOUSING	2		
24	H109983	BRACKET	2		
25	03H1522	BOLT	10		1/2" X 1-1/4"
26	C13097	WASHER	2		
27	AH101245	SHEAVE	1		318 MM (12-1/2") DIA.
28	H113889	HUB	1		
29	19H1831	CAP SCREW	1		1/2" X 2"
	12H301	LOCK WASHER	1		1/2"
	14H1040	NUT	1		1/2"
30	H88338	BUSHING	1		
31	R19N	CHAIN SPROCKET	1		(150 PER CENT BEATER SPEED)
32	19H3127	SCREW	1		1/2" X 1-1/4"
	12H304	LOCK WASHER	1		3/8"
33	24H1307	WASHER	1		13/32" X 1" X 1/16"
34	19H1731	CAP SCREW	3		3/8" X 1"
	12H304	LOCK WASHER	3		3/8"
	14H812	NUT	3		3/8"
35	26H42	SHAFT KEY	1		3/8" X 2-1/8"
36	H101469	BELT	1		

2C12

SEPARATOR

BEATER BEARING LUBE BANK SYSTEM (LEFT-HAND SIDE)

H30136F -UN-01JAN94



H30136F

KEY	PART NO.	PART NAME	QTY	SERIAL NO.	REMARKS
1	M66044	TIE BAND	1		
2	E12378	ELBOW FITTING	1	90°	
3	H101262	SUPPORT	1		
4	H76139	SCREW	2	SELF-TAPPING	
5	E12379	NUT	1		
6	JD7797	LUBRICATION FITTING	1	STRAIGHT, 1/4"	
7	H94729	HYDRAULIC HOSE	1	850 MM (34") LONG	
8	JD7845	ELBOW FITTING	1	REDUCING, 90°	

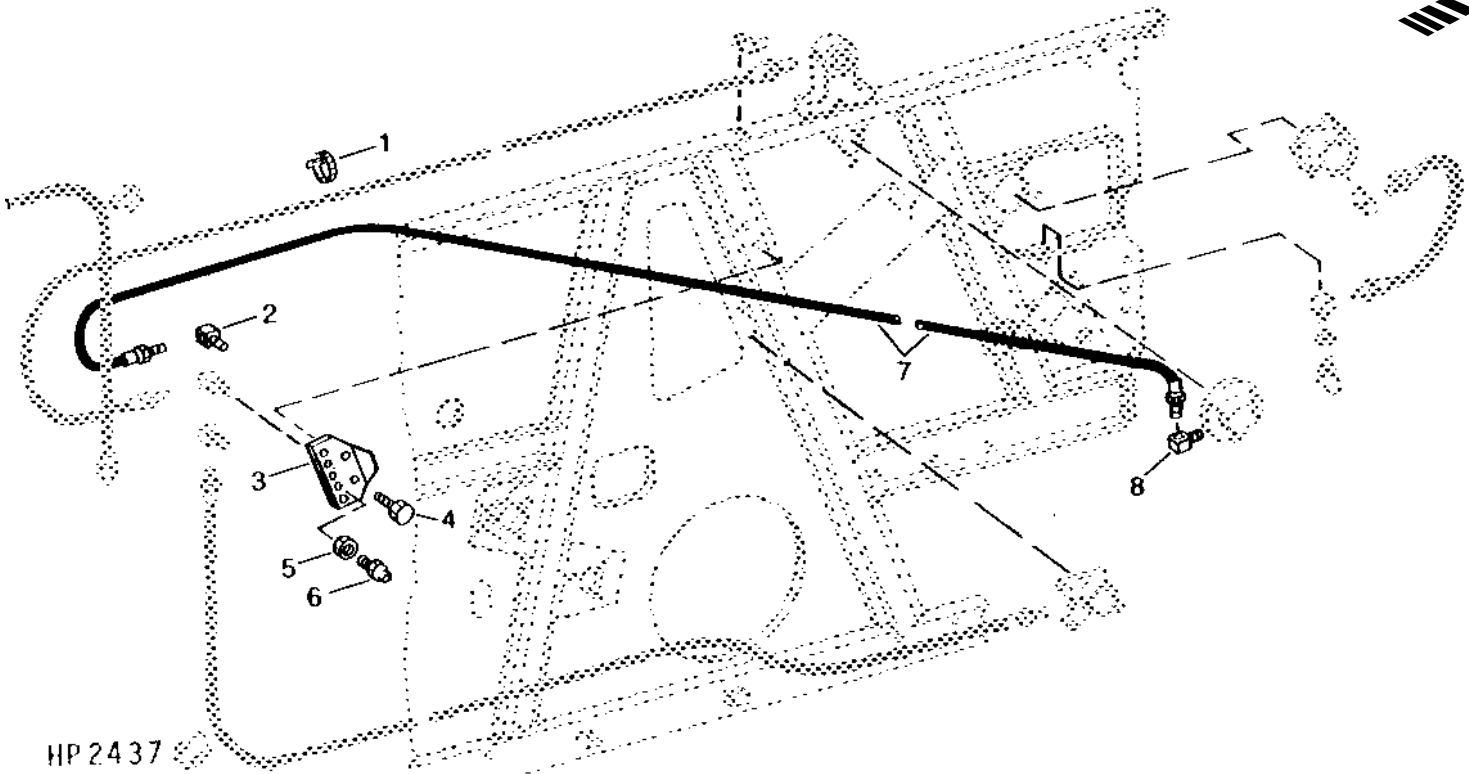
2C13

SEPARATOR

BEATER BEARING LUBE BANK SYSTEM (RIGHT-HAND SIDE)

HP2437

-UN-01JAN94



KEY	PART NO.	PART NAME	QTY	SERIAL NO.	REMARKS
1	M66044	TIE BAND	1		
2	E12378	ELBOW FITTING	1		90°
3	H98089	SUPPORT	1	-513350	(SUB H109523)
	H109523	SUPPORT	1	-610600	(SUB H101262)
	H101262	SUPPORT	1		
4	H76139	SCREW	2		SELF-TAPPING
5	E12379	NUT	1		
6	JD7797	LUBRICATION FITTING	1		STRAIGHT, 1/4"
7	H94728	HYDRAULIC HOSE	1		550 MM (22") LONG
8	JD7845	ELBOW FITTING	1		REDUCING, 90°

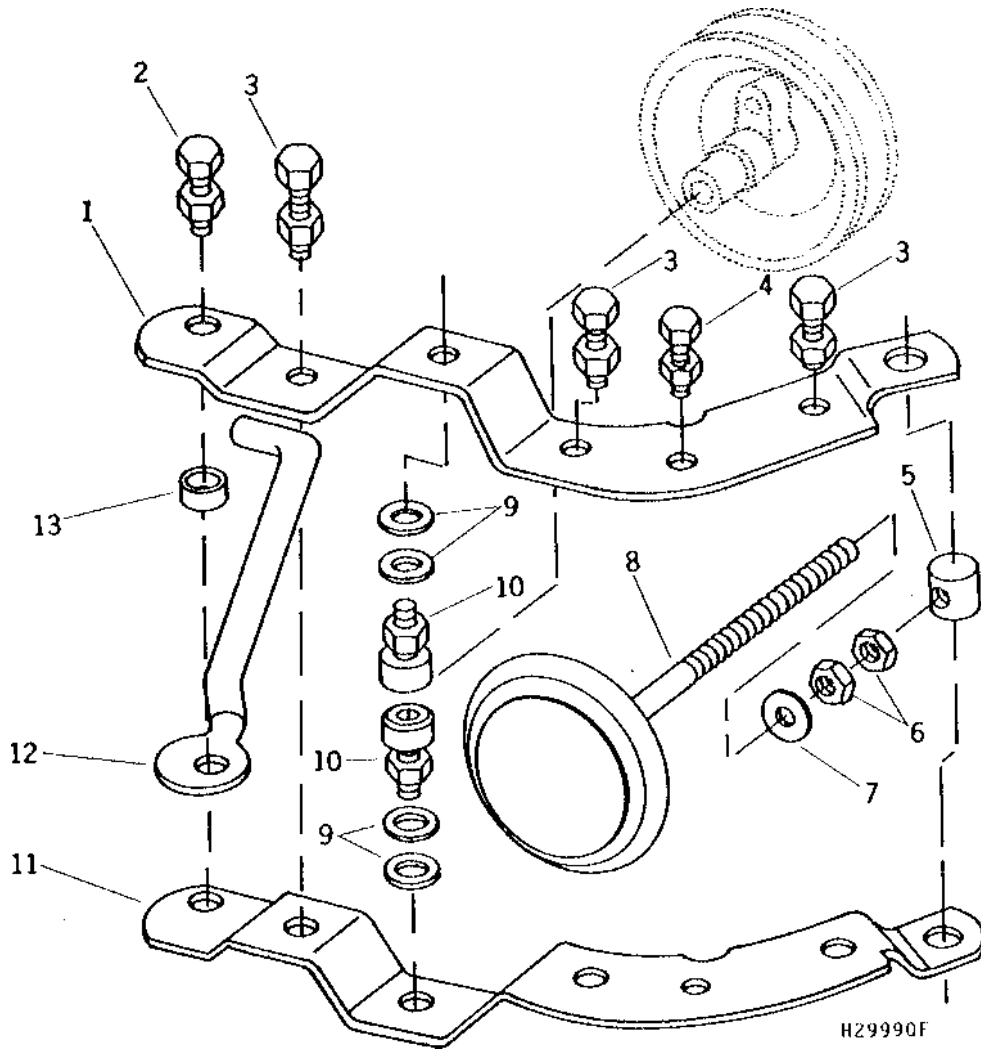
2C14

SEPARATOR

H29990F

-UN-01JAN94

CLEANING FAN SPEED CONTROL LINKAGE



2C15

SEPARATOR

CLEANING FAN SPEED CONTROL LINKAGE - CONTINUED

KEY	PART NO.	PART NAME	QTY	SERIAL NO.	REMARKS
1	H97503	ARM	1		UPPER
2	19H1849	CAP SCREW	1		5/16" X 1-1/4"
	12H303	LOCK WASHER	1		5/16"
	14H785	NUT	1		5/16"
3	19H1792	CAP SCREW	3		1/2" X 1"
	14H1040	NUT	3		1/2"
4	19H1731	CAP SCREW	1		3/8" X 1"
	12H304	LOCK WASHER	1		3/8"
	14H812	NUT	1		3/8"
5	H76282	PIN	1		
6	14H1008	NUT	2		3/8"
7	24H1682	WASHER	1		13/32" X 7/8" X 0.120"
8	AH75577	BOLT	1		
9	24H1882	WASHER	4		17/32" X 3/4" X 0.060"
10	19H2926	SCREW	2		1/2" X 1"
	14H1040	NUT	2		1/2"
11	H97502	ARM	1		LOWER
12	H93561	ROD	1		
13	28H1511	WASHER	1		0.364" X 0.540" X 1/4"

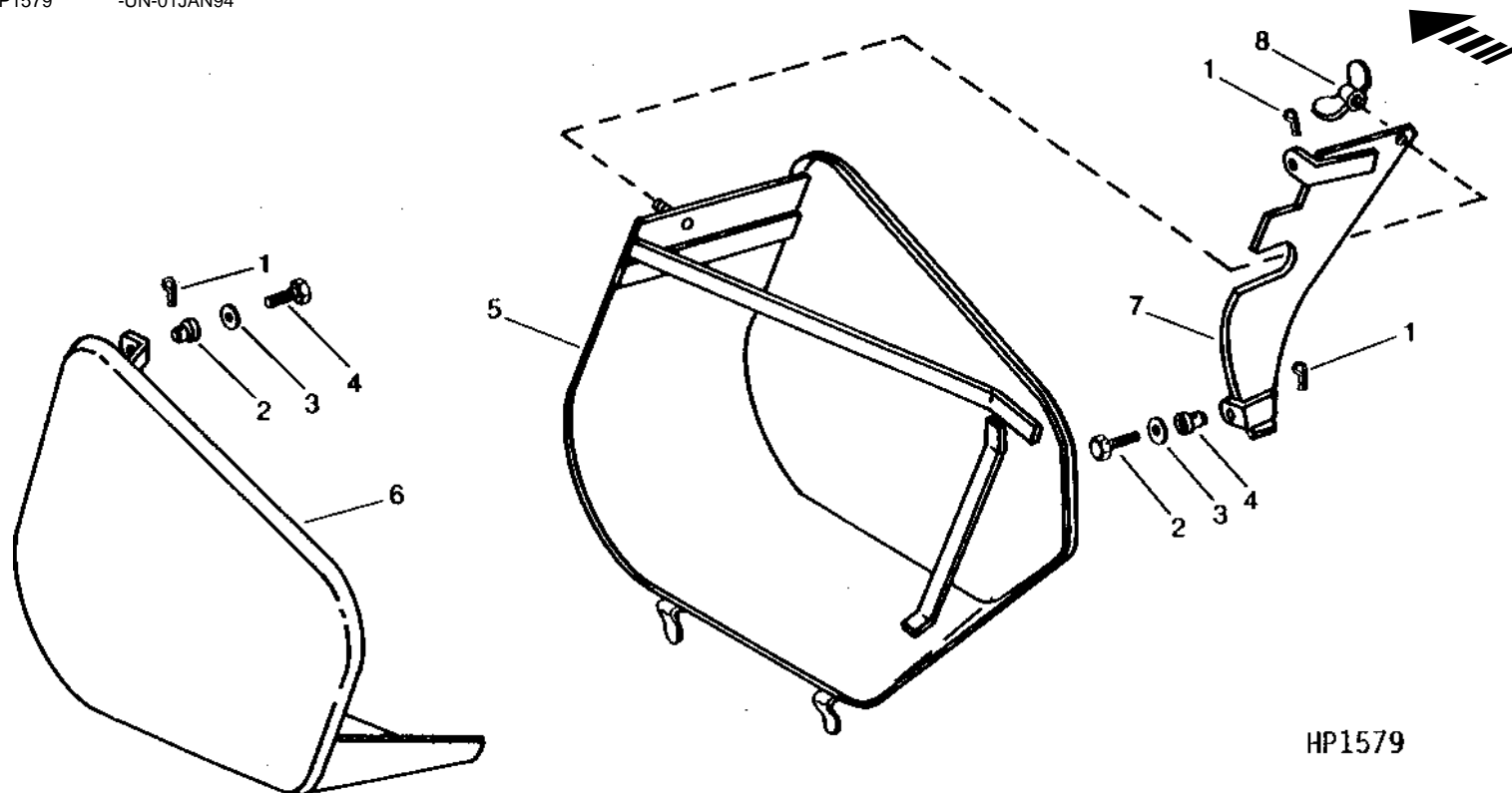
MEMORANDA

2C16

SEPARATOR

HP1579 -UN-01JAN94

CLEANING FAN AIR DUCTS



HP1579

KEY	PART NO.	PART NAME	QTY	SERIAL NO.	REMARKS
1	A3581R	SPRING LOCKING PIN	2	-562900	
	A3581R	SPRING LOCKING PIN	3	562901-	
	H76989	PIN	2		
3	24H1136	WASHER	2		11/32" X 11/16" X 0.065"
4	19H2020	CAP SCREW	2		5/16" X 1/2"
	12H303	LOCK WASHER	2		5/16"
5	AH87741	AIR DUCT	1	-414100	(SUB AH102733)
	AH114384	SHIELD	1	-562900	(SUB FOR AH102733)
	AH111211	SHIELD	1	562901-	R.H.
6	AH87740	AIR DUCT	1	-414100	(SUB AH102734)
	AH102734	AIR DUCT	1	-600000	(SUB AH114385)
	AH114385	SHIELD	1		L.H.
7	AH111212	SHIELD	1	562901-	
8	14H827	WING NUT	1	562901-	3/8"

2C18

SEPARATOR

CLEANING FAN HOUSING - CONTINUED

KEY	PART NO.	PART NAME	QTY	SERIAL NO.	REMARKS
1	H97764	SEAL	1		
2	N71292	SELF-LOCKING SCREW	32		
	N10213	LOCK NUT	32		
3	N10212	SELF-LOCKING SCREW	16		
	N10213	LOCK NUT	16		
4	H97793	HOUSING	1		UPPER
5	H75947	HOUSING	1	-600000	LOWER
	H117947	HOUSING	1	600001-	LOWER
6	H80290	HOUSING	4	-600000	
	H117837	DEFLECTOR	4	600001-	

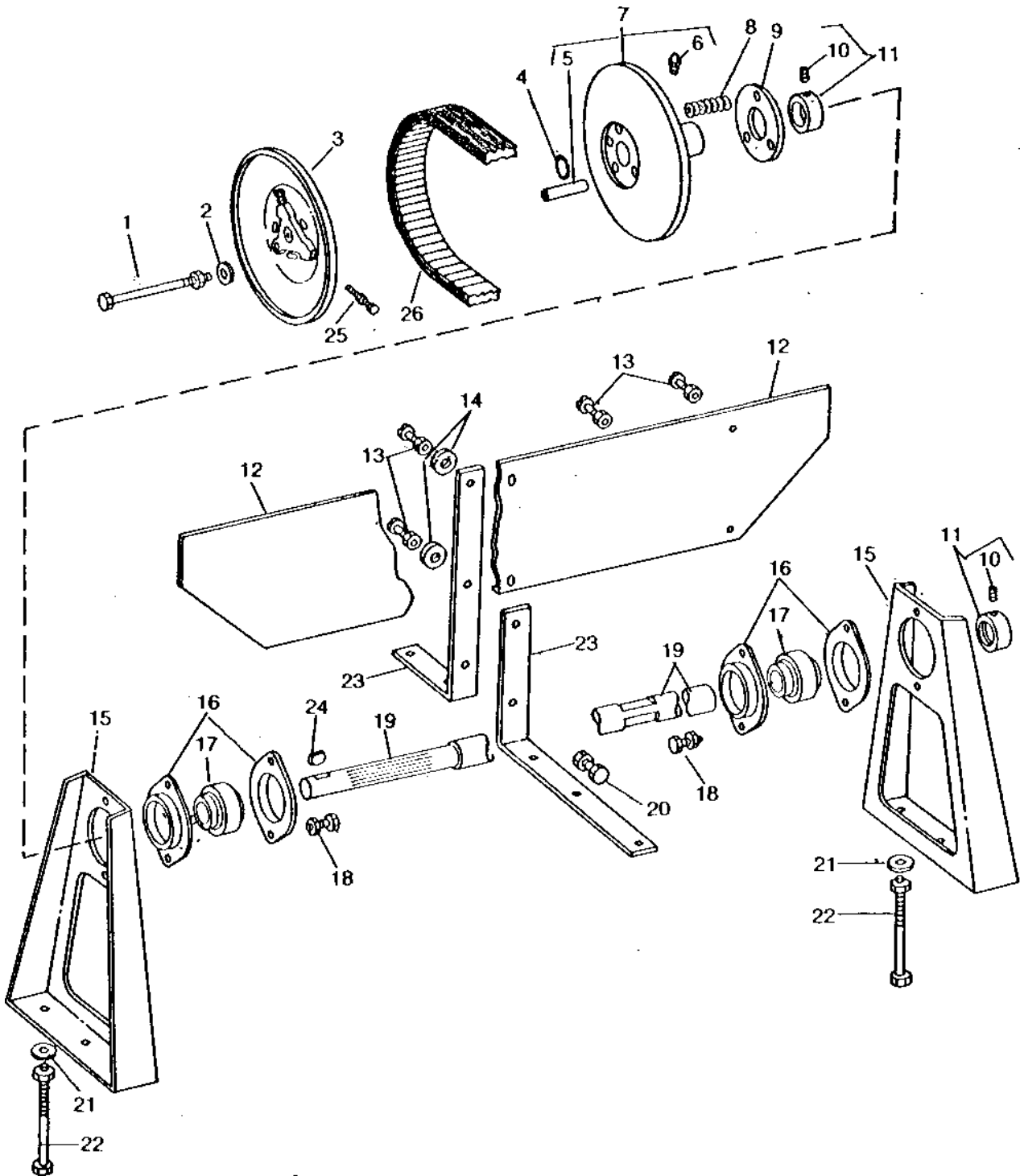
2C19

SEPARATOR

HP2392

-UN-01JAN94

CLEANING FAN



HP2392

2C20

SEPARATOR

CLEANING FAN - CONTINUED

KEY	PART NO.	PART NAME	QTY	SERIAL NO.	REMARKS
1	19H1227	CAP SCREW	3		1/4" X 1/2"
	M40699	NUT	3		
2	24H1136	WASHER	3		11/32" X 11/16" X 0.065"
3	H97600	SHEAVE	1		FIXED, 213 MM (8-3/8") DIA.
4	A4730R	O-RING	1		
5	H100795	SPRING PIN	1		
6	JD7798	LUBRICATION FITTING	1		STRAIGHT, 1/8"
7	AH100009	SHEAVE	1		213 MM (8-3/8") DIA. (WITH GREASE FITTING AND SPRING PIN) (MARKED H100793)
8	H93399	SPRING	3		
9	H75535	WASHER	1		
10	22H775	SET SCREW	2		5/16" X 1/4"
11	JD8551	ECCENTRIC LOCKING COLLAR	2		
12	H75601	FAN BLADE	4	-600000	
	H117833	FAN BLADE	4	600001-	
13	19H1905	CAP SCREW	24		5/16" X 1"
	12H303	LOCK WASHER	24		5/16"
	14H785	NUT	24		5/16"
14	24H1136	WASHER	8		11/32" X 11/16" X 0.065"
15	H100910	SUPPORT	2	-610600	(SUB H123758)
	H123758	SUPPORT	2		
16	H28206	PRESSED FLANGED HOUSING	4	-620300	(SUB N15764)
	N15764	PRESSED FLANGED HOUSING	4	620301-	
17	JD9246	BALL BEARING	2		
18	19H1731	CAP SCREW	4		3/8" X 1"
	12H304	LOCK WASHER	4		3/8"
	14H812	NUT	4		3/8"
19	H97701	SHAFT	1	-414100	(SUB H108572)
	H108572	SHAFT	1		
20	19H1849	CAP SCREW	12		5/16" X 1-1/4"
	14H785	NUT	12		5/16"
21	24H1310	WASHER	4		13/32" X 1-1/8" X 7/64"
22	19H2007	CAP SCREW	4		3/8" X 4-1/2"
	12H304	LOCK WASHER	4		3/8"
	14H812	NUT	4		3/8"
23	H75600	BRACKET	12	-600000	
	H115757	ANGLE	12	600001-	
24	26H19	SHAFT KEY	1		1/4" X 7/8"
25	22H91	SET SCREW	1		3/8" X 1-1/2"
	14H732	NUT	1		3/8"
26	H96248	BELT	1	-414244	(SUB H108669)
	H108669	BELT	1		

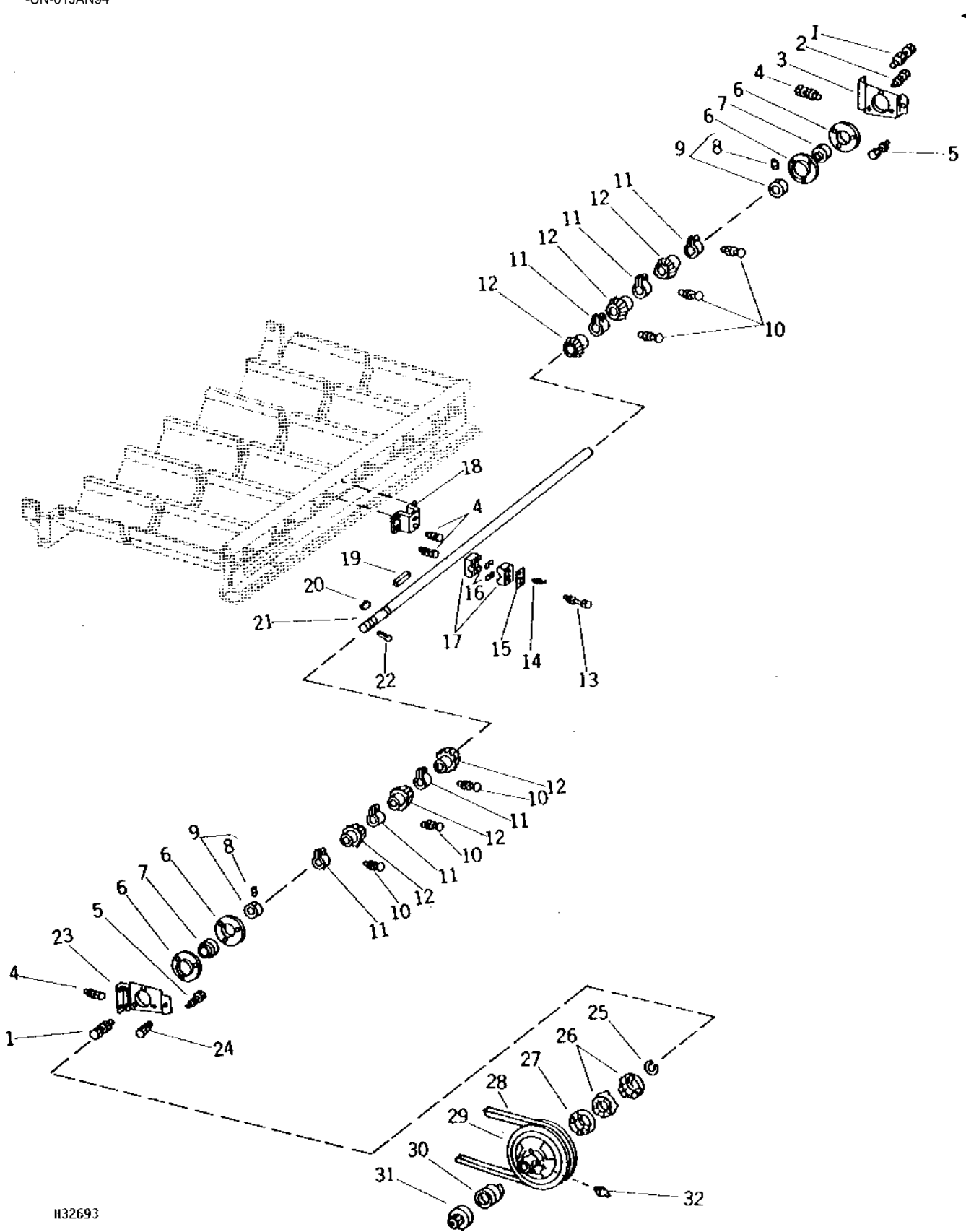
2C21

SEPARATOR

H32693

-UN-01JAN94

SHOE GRAIN SUPPLY AUGERS DRIVE SHAFT AND SHEAVE



H32693

SHOE GRAIN SUPPLY AUGERS DRIVE SHAFT AND SHEAVE - CONTINUED

KEY	PART NO.	PART NAME	QTY	SERIAL NO.	REMARKS
1	H76139	SCREW	2		
2	03H1539	BOLT	3		5/16" X 5/8"
	12H328	LOCK WASHER	3		7/8"
	14H611	NUT	3		5/16"
3	H98248	BRACKET	1		L.H.
4	19H1900	CAP SCREW	8		5/16" X 3/4"
	12H303	LOCK WASHER	8		5/16"
	14H785	NUT	8		5/16"
5	N112200	SELF-LOCKING SCREW	1		
	N10219	SELF-LOCKING SCREW	2		
	N10213	LOCK NUT	1		
6	H87472	PRESSED FLANGED HOUSING	4	-600456	
	H103264	PRESSED FLANGED HOUSING	4	600457-	
7	JD8665	BALL BEARING	2		
8	22H897	SET SCREW	2		1/4" X 1/4"
9	JD8554	ECCENTRIC LOCKING COLLAR	2		
10	19H1765	CAP SCREW	6		3/8" X 1-3/4"
	12H304	LOCK WASHER	6		3/8"
	14H812	NUT	6		3/8"
11	M2300T	CLAMP	6		
12	H75406	GEAR	6		13 TEETH
13	19H1944	CAP SCREW	2		3/8" X 2-3/4"
	H99923	LOCK NUT	2		
14	JD7768	LUBRICATION FITTING	1		STRAIGHT, 7/16"
15	H83089	PLATE	1		
16	P16643	SHIM	AR		
17	AH15397	BEARING	1	-620800	(MATCHED PAIR) (SUB AH17997 AND (6) P16643)
	AH17997	BEARING	1		
18	H91205	BRACKET	1		CENTER
19	KEY	6		(1/4" X 1/4" X 3/4") (CUT FROM H64374 IN AH64587 KEY STOCK KIT)
20	26H14	SHAFT KEY	1		3/16" X 3/4"
21	H84499	SHAFT	1		
22	11H215	COTTER PIN	1		1/4" X 1-1/2"
23	H98247	BRACKET	1		R.H.
24	03H1540	BOLT	3		5/16" X 3/4"
	12H303	LOCK WASHER	3		5/16"
	14H785	NUT	3		5/16"
25	H80714	SNAP RING	1		
26	H87019	DRIVER	1		
27	Z699H	SLIP CLUTCH	2		
28	H77010	BELT	1		
29	H83084	SHEAVE	1		241 MM (9-1/2") DIA.
30	J21022	SPRING	1		
31	H97542	CAP	1		
32	JD7797	LUBRICATION FITTING	1	-562900	STRAIGHT, 1/4"
	JD7806	LUBRICATION FITTING	1	562901-	90°

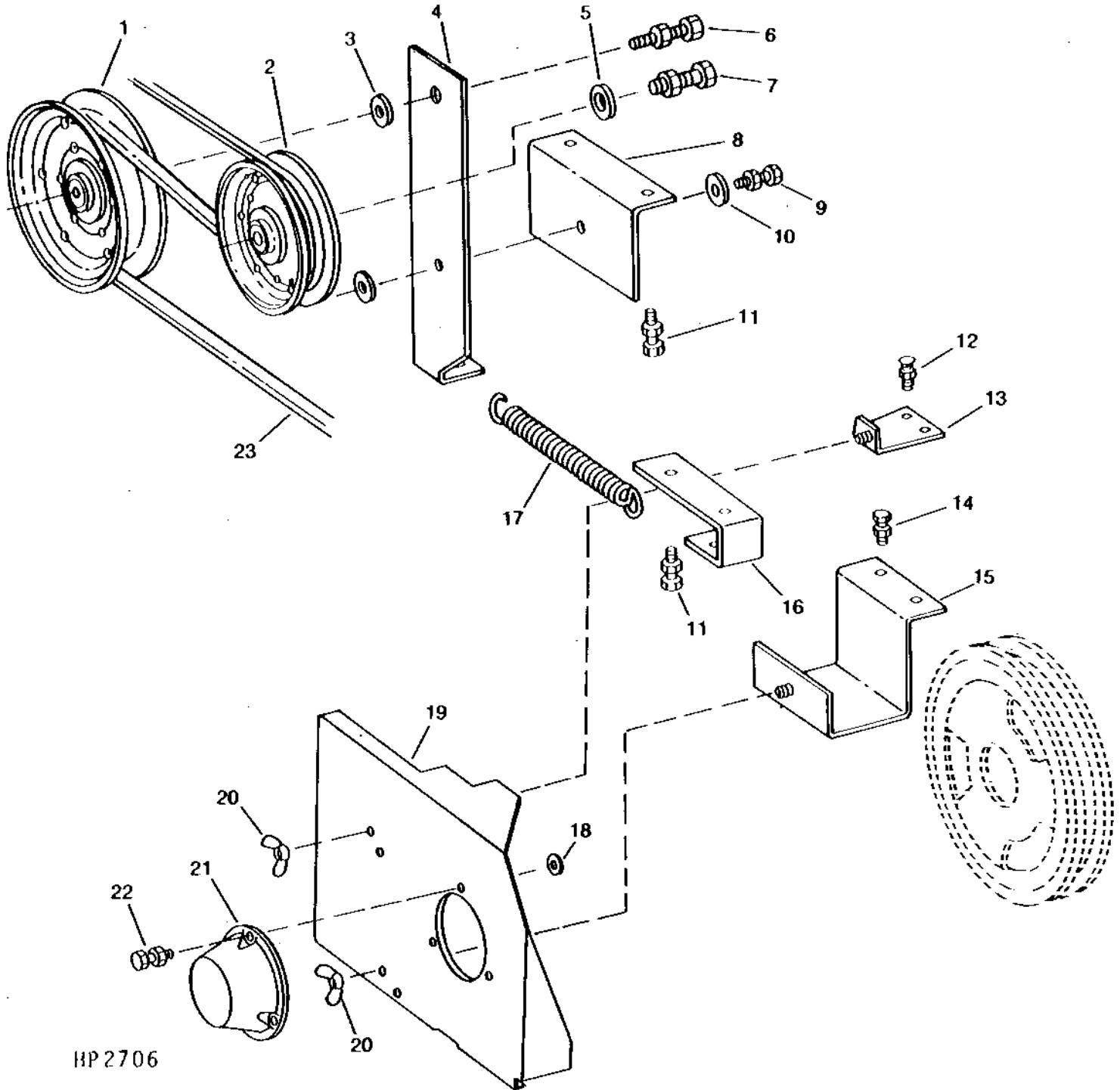
2C23

SEPARATOR

HP2706

-UN-01JAN94

SHOE GRAIN SUPPLY AUGERS DRIVE TIGHTENER AND IDLER



SHOE GRAIN SUPPLY AUGERS DRIVE TIGHTENER AND IDLER - CONTINUED

KEY	PART NO.	PART NAME	QTY	SERIAL NO.	REMARKS
1	AH14097	SHEAVE	1		178 MM (7") DIA.
2	AH65015	SHEAVE	1		133 MM (5-1/4") DIA.
3	24H1111	WASHER	4		17/32" X 1-1/16" X 0.090"
4	H99182	ARM	1		
5	24H1362	WASHER	1		41/64" X 1" X 0.075"
6	19H1805	CAP SCREW	1		1/2" X 2-1/4"
	12H301	LOCK WASHER	1		1/2"
	14H1040	NUT	1		1/2"
7	19H1734	CAP SCREW	1		5/8" X 2"
	12H294	LOCK WASHER	1		5/8"
	14H1039	NUT	1		5/8"
8	H99181	BRACKET	1		
9	19H1732	CAP SCREW	1		3/8" X 1-1/4"
	H99923	LOCK NUT	1		
10	24H1305	WASHER	2		13/32" X 13/16" X 0.065"
11	19H1900	CAP SCREW	4		5/16" X 3/4"
	12H303	LOCK WASHER	4		5/16"
	14H785	NUT	4		5/16"
12	03H1709	BOLT	2		5/16" X 1"
	12H303	LOCK WASHER	2		5/16"
	14H785	NUT	2		5/16"
13	AH76979	BRACKET	1		UPPER
14	19H2127	CAP SCREW	2		5/16" X 7/8"
	12H303	LOCK WASHER	2		5/16"
	14H785	NUT	2		5/16"
15	AH76978	BRACKET	1		LOWER
16	H77004	SUPPORT	1		
17	H77002	SPRING	1		
18	24H1136	WASHER	3		11/32" X 11/16" X 0.065"
19	AH94079	SHIELD	1	-620300	
	H131778	SHIELD	1	620301-	
20	14H819	WING NUT	2		5/16"
21	H83386	COVER	1	-562900	(SUB H99297)
	H99297	COVER	1		
22	19H1900	CAP SCREW	3		5/16" X 3/4"
	12H303	LOCK WASHER	3		5/16"
	14H785	NUT	3		5/16"
23	H77010	BELT	1		

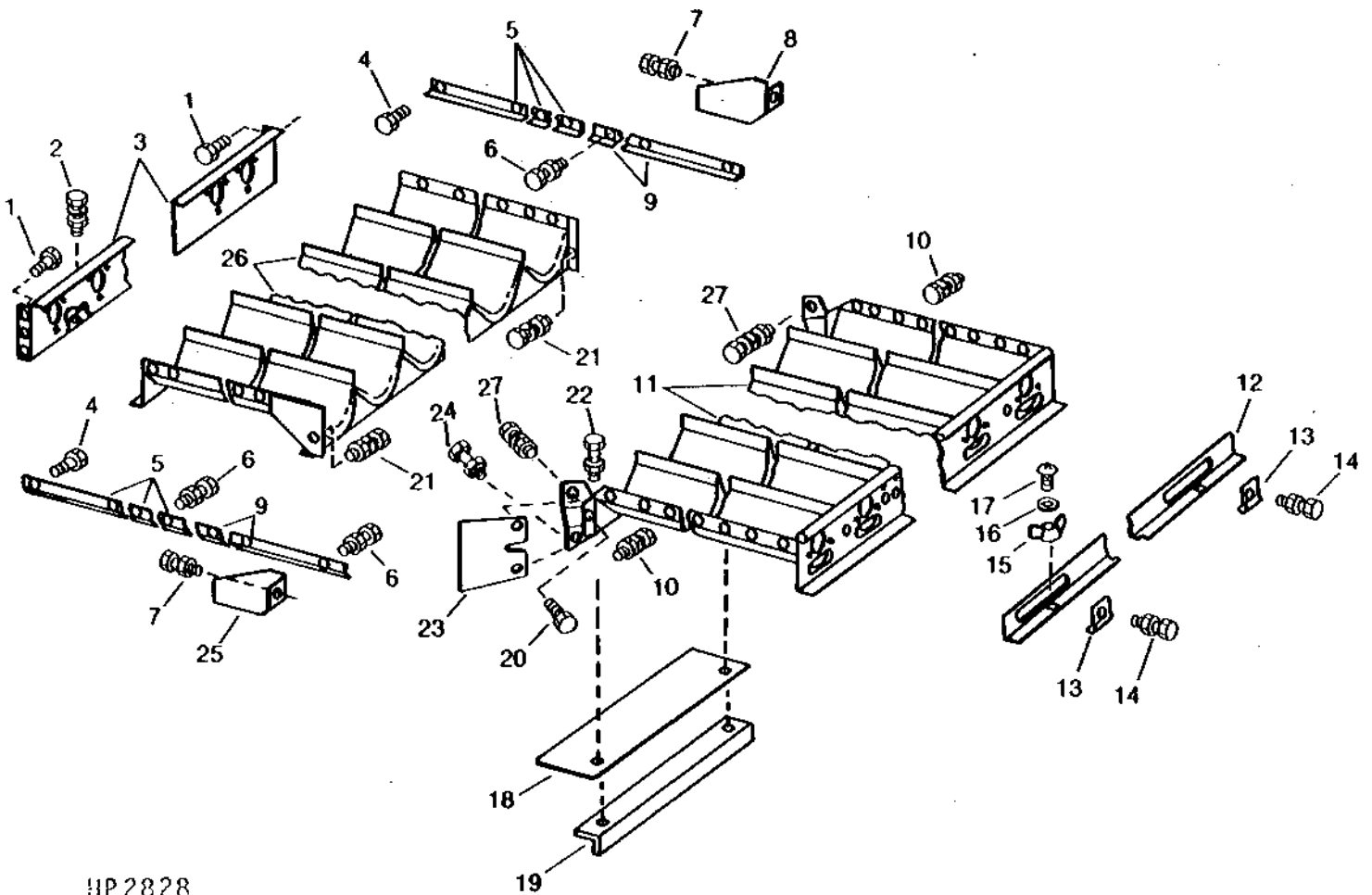
2D1

SEPARATOR

HP2828

-UN-01JAN94

SHOE GRAIN SUPPLY AUGERS HOUSING



HP 2828

SHOE GRAIN SUPPLY AUGERS HOUSING - CONTINUED

KEY	PART NO.	PART NAME	QTY	SERIAL NO.	REMARKS
1	N10212	SELF-LOCKING SCREW	6		
2	N10212	SELF-LOCKING SCREW	5		
	N10213	LOCK NUT	5		
3	H98246	PLATE	1		REAR
4	H65108	SCREW	4		SELF-TAPPING
5	H98249	SEAL	2		REAR
6	N71292	SELF-LOCKING SCREW	12		
	N10213	LOCK NUT	12		
7	T23876	CAP SCREW	12		
	N10217	LOCK NUT	12		
8	H81937	PARTITION	2	-600000	L.H.
	H113922	PARTITION	2	600001-620800	L.H. (SUB H135584)
	H135584	PARTITION	2		L.H.
9	H76061	SEAL	2		FRONT
10	N10212	SELF-LOCKING SCREW	18	-600000	
	N112200	SELF-LOCKING SCREW	16	600001-	
	12H303	LOCK WASHER	16	600001-	5/16"
	14H812	NUT	16	600001-	3/8"
11	AH113883	HOUSING	1		FRONT
	AH96395	HOUSING	1	-562900	(SUB AH113233)
	AH113233	HOUSING	1	-620800	FRONT, (SUB AH131235)
	AH131235	HOUSING	1		FRONT
12	H89730	DOOR	1		CLEAN-OUT
13	H94167	CLAMP	2		
14	19H1813	CAP SCREW	8	-463600	5/16" X 5/8"
	19H1813	CAP SCREW	2	463601-	5/16" X 5/8"
	12H303	LOCK WASHER	8	-463600	5/16"
	14H785	NUT	8	-463600	5/16"
	N10213	LOCK NUT	2	463601-	
15	14H952	WING NUT	2		1/4"
16	24H1287	WASHER	2		9/32" X 5/8" X 0.065"
17	03H1778	BOLT	2	-562900	1/4" X 5/8"
	03H2119	BOLT	2	562901-	1/4" X 5/8"
18	H99308	STRAP	1		
19	H99311	STRIP	1		
20	H76139	SCREW	2	-562900	SELF-TAPPING
	H79578	SCREW	2	562901-	SELF-TAPPING
21	19H1732	CAP SCREW	2		3/8" X 1-1/4"
	14H812	NUT	4		3/8"
22	19H1813	CAP SCREW	6	-414100	5/16" X 5/8"
	12H303	LOCK WASHER	6	-414100	5/16"
	14H785	NUT	6	-414100	5/16"
	19H2020	CAP SCREW	6	414101-	5/16" X 1/2"
	N10213	LOCK NUT	6	414101-	
23	H115628	SEAL	2	562901-	
24	N10212	SELF-LOCKING SCREW	2	562901-	
	N10213	LOCK NUT	2	562901-	
	24H1224	WASHER	2	562901-	11/32" X 1" X 1/16"
25	H81936	PARTITION	3	-600000	R.H.
	H113921	PARTITION	3	600001-620800	R.H. (SUB H135583)
	H135583	PARTITION	3		R.H.
26	AH79739	HOUSING	1		REAR
27	N10219	SELF-LOCKING SCREW	2	600001-	
	24H1224	WASHER	2	600001-	11/32" X 1" X 1/16"
	12H303	LOCK WASHER	2	600001-	5/16"
	14H812	NUT	2	600001-	3/8"

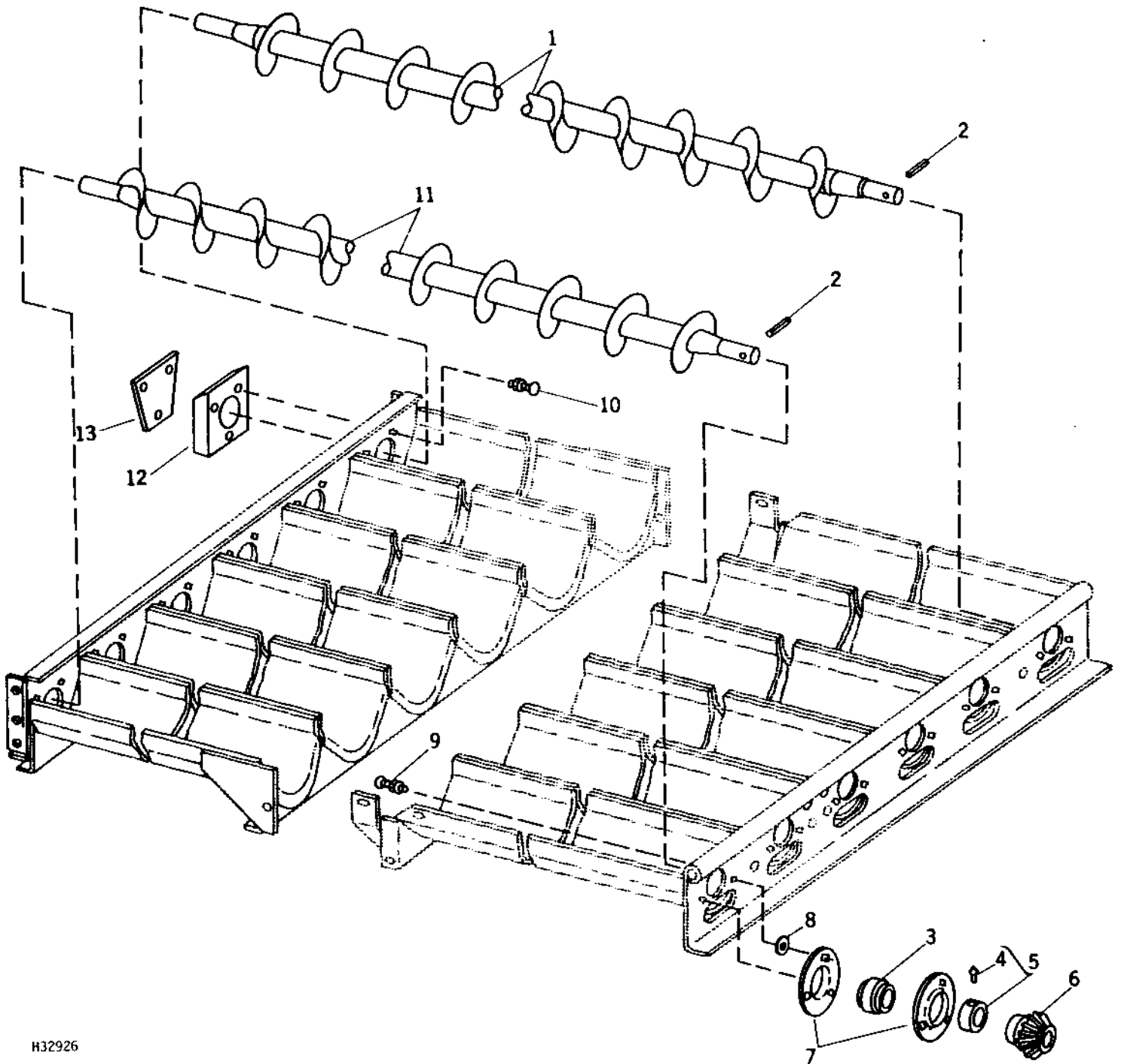
2D3

SEPARATOR

H32926

-UN-01JAN94

SHOE GRAIN SUPPLY AUGERS



H32926

2D4

SEPARATOR

SHOE GRAIN SUPPLY AUGERS - CONTINUED

KEY	PART NO.	PART NAME	QTY	SERIAL NO.	REMARKS
1	AH95944	AUGER	3		
2	34H188	SPRING PIN	6		5/16" X 1-3/4"
3	JD9273	BALL BEARING	6		
4	22H897	SET SCREW	6		1/4" X 1/4"
5	JD8554	ECCENTRIC LOCKING COLLAR	6		
6	H75406	GEAR	6		BEVEL, 13 TEETH
7	H87472	PRESSED FLANGED HOUSING	12	-600456	
	H103264	PRESSED FLANGED HOUSING	12	600457-	
8	28H1720	BUSHING	18		3/8" X 27/32"
9	03H1790	BOLT	18		5/16" X 1-1/2"
	12H303	LOCK WASHER	18		5/16"
	14H785	NUT	18		5/16"
10	03H2125	BOLT	18		5/16" X 2"
	12H303	LOCK WASHER	18	-625300	5/16"
	14H785	NUT	18	-625300	5/16"
	M40699	NUT	18		5/16"
11	AH95943	AUGER	3		
12	H84838	BEARING	6		WOOD
13	H84839	PLATE	6		

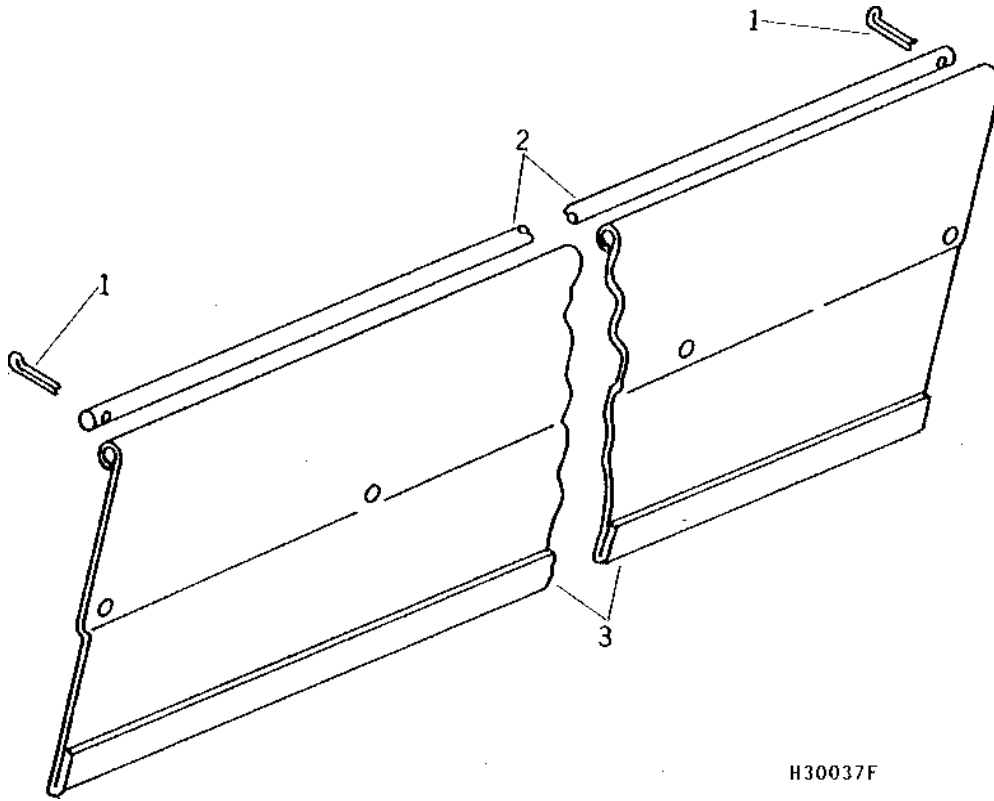
MEMORANDA

2D5

SEPARATOR

H30037F -UN-01JAN94

SEPARATOR CURTAINS



H30037F

KEY	PART NO.	PART NAME	QTY	SERIAL NO.	REMARKS
1	11H211	COTTER PIN	4	1/8" X 3/4"	
2	H76863	PIN	2		
3	AH84212	LIMIT CURTAIN	2		

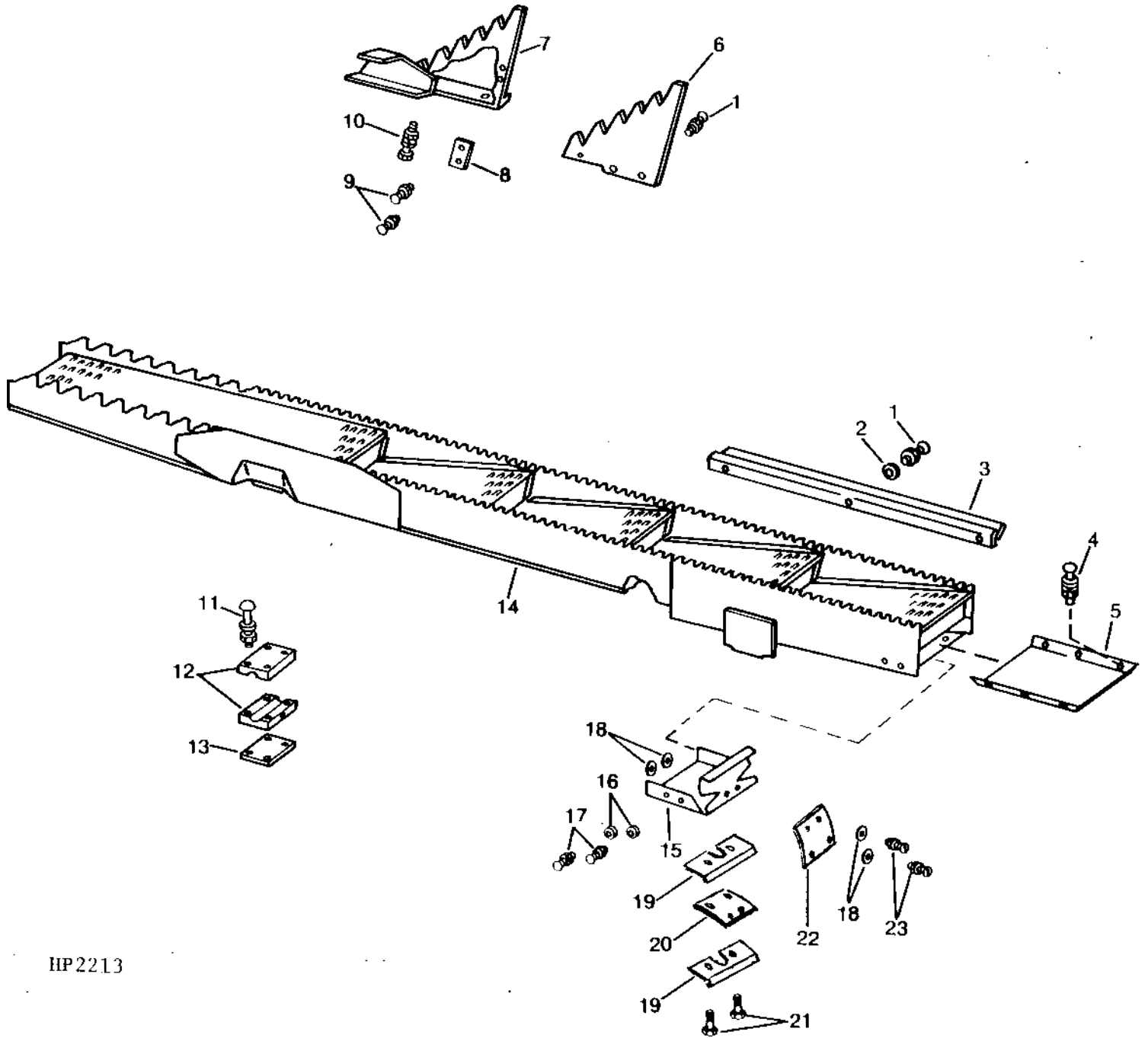
2D6

SEPARATOR

HP2213

-UN-01JAN94

STRAW WALKER



HP2213

2D7

SEPARATOR

STRAW WALKER - CONTINUED

KEY	PART NO.	PART NAME	QTY	SERIAL NO.	REMARKS
1	21H1016	SCREW	3		1/4" X 1/2"
	21H1016	SCREW	6		1/4" X 1/2"
	12H302	LOCK WASHER	3		1/4"
	14H786	NUT	3		1/4"
2	24H1287	WASHER	22		9/32" X 5/8" X 0.065"
3	AH95963	SEAL	2		REAR (PER MACHINE)
4	21H1311	SCREW	2		5/16" X 1/2"
	N10213	LOCK NUT	2		
	21H1311	SCREW	6		5/16" X 1/2"
	N10213	LOCK NUT	6		
5	H97115	PAN	1	-600000	
	H97115	PAN	AR		(3 CENTER WALKERS ON HARVESTRAK)
					(BETWEEN EACH WALKER)
6	H94669	RISER	1		
7	AH99755	RISER	1		
8	H100869	CLIP	1		
9	03H1774	BOLT	2		5/16" X 5/8"
	12H303	LOCK WASHER	2		5/16"
	14H785	NUT	2		5/16"
10	N10212	SELF-LOCKING SCREW	1		
	12H303	LOCK WASHER	1		5/16"
	14H785	NUT	1		5/16"
11	03H1565	BOLT	8		3/8" X 3"
	H99923	LOCK NUT	8		
12	AH92589	BEARING	1	-600000	(MATCHED HALVES) (SUB (2) H119614)
	H119614	BEARING	2		(SINGLE HALF)
13	H93554	PLATE	1		
14	AH94468	STRAW WALKER	1		(RECTANGULAR HOLE)
	AH94469	STRAW WALKER	1		(LIP TYPE)
15	H99509	SHIELD	1		(USE WITH STRAW CHOPPER)
	H99509	SHIELD	AR		(3 CENTER WALKERS ON HARVESTRAK)
16	24H1136	WASHER	4	-463600	11/32" X 11/16" X 0.065"
17	21H1347	SCREW	4		5/16" X 5/8"
	12H303	LOCK WASHER	4	-463600	5/16"
	14H785	NUT	4	-463600	5/16", (SUB N10213, THIS APPLICATION)
	N10213	LOCK NUT	4		
	N10213	LOCK NUT	AR		(12 USED WITH HARVESTRAK)
18	24H1294	WASHER	4	600001-	11/32" X 1-1/8" X 1/16", (CORN, GRAIN STRAW CHOPPER)
19	H118816	REINFORCEMENT	2	600001-	(HARVESTRAK MONITOR)
20	H118702	FLAP	1	600001-	(RUBBER) (HARVESTRAK MONITOR)
21	N112200	SELF-LOCKING SCREW	2	600001-	(HARVESTRAK MONITOR)
22	H118702	FLAP	1	600001-	(RUBBER) (CORN, GRAIN STRAW CHOPPER)
23	21H1075	SCREW	2	600001-	5/16" X 1", (CORN, GRAIN STRAW CHOPPER)
	12H303	LOCK WASHER	2	600001-	5/16", (CORN, GRAIN STRAW CHOPPER)
	14H785	NUT	2	600001-	5/16", (CORN, GRAIN STRAW CHOPPER)

NOTE: QUANTITIES SHOWN ARE FOR ONE UNIT. FIVE UNITS USED PER MACHINE.

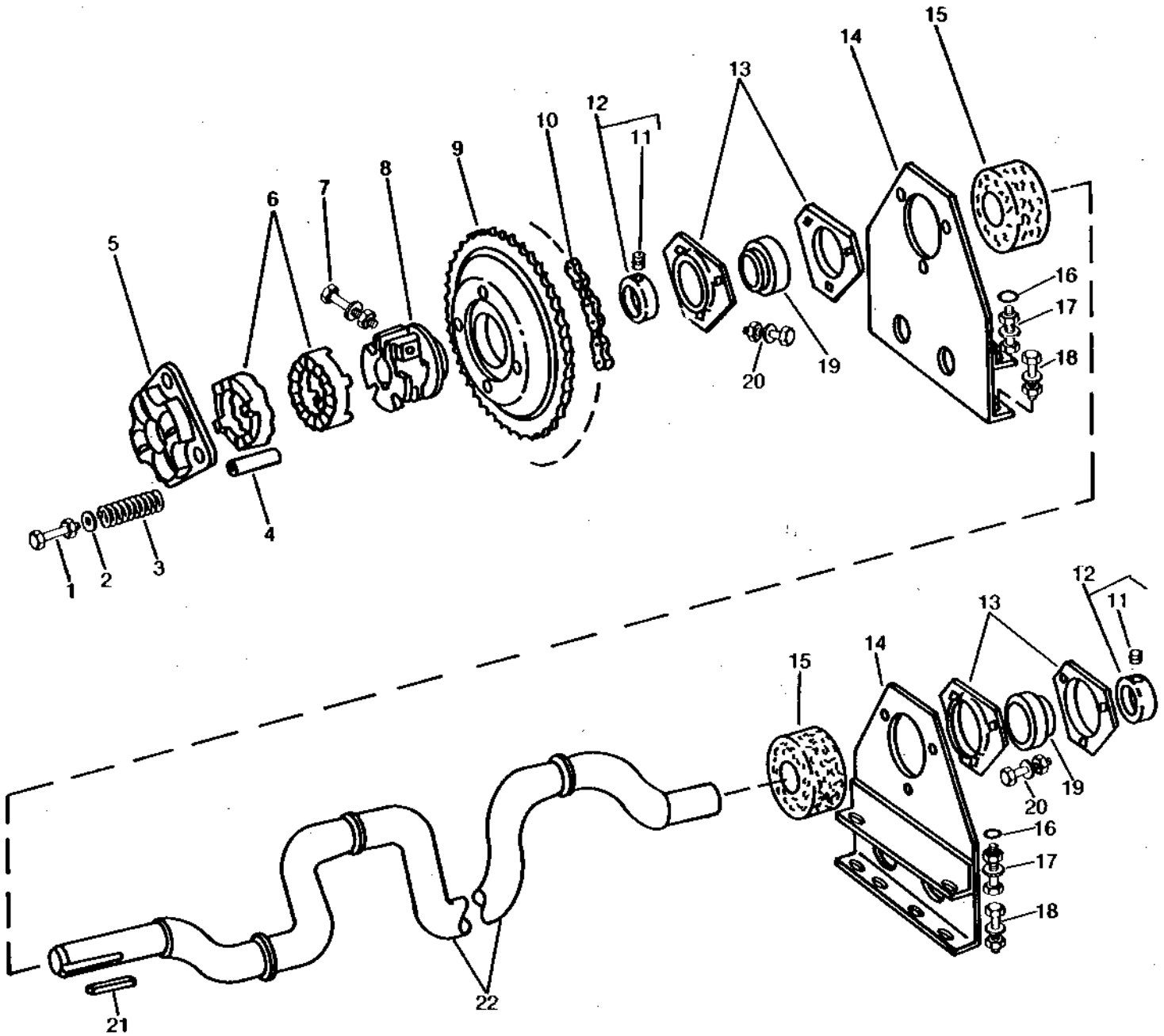
2D8

SEPARATOR

HP2296

-UN-01JAN94

STRAW WALKER FRONT CRANKSHAFT



HP2296

2D9

SEPARATOR

STRAW WALKER FRONT CRANKSHAFT - CONTINUED

KEY	PART NO.	PART NAME	QTY	SERIAL NO.	REMARKS
1	19H2007	CAP SCREW	4		3/8" X 4-1/2"
	H99923	LOCK NUT	4		
2	24H1312	WASHER	4		13/32" X 1-3/8" X 0.105"
3	R56724	SPRING	4		
4	H93462	BUSHING	4		
5	N100101	RETAINER	1	-610600	
	H89525	RETAINER	1	610601-	
6	Z699H	SLIP CLUTCH	2		
7	19H1801	CAP SCREW	1		3/8" X 2"
	12H304	LOCK WASHER	1		3/8"
	14H812	NUT	1		3/8"
8	H93999	HUB	1		
9	H93463	CHAIN SPROCKET	1		49 TEETH
10	LINK CHAIN	1		ROLLER, TYPE 60, 19 MM (3/4") PITCH, 99 LINKS, (ASSEMBLE FROM (2) AB1290H, AB1289H, AB1288H, (2) B5234H, (2) B5235H AND (2) AN151830)
11	22H897	SET SCREW	2		1/4" X 1/4"
12	JD8594	ECCENTRIC LOCKING COLLAR	2		
13	C3994E	PRESSED FLANGED HOUSING	4	-562900	(SUB H103265, THIS APPLICATION)
	H103265	PRESSED FLANGED HOUSING	4		
14	AH93868	SUPPORT	2		
15	H76431	ISOLATOR	2		
16	24H1136	WASHER	4		11/32" X 11/16" X 0.065"
17	19H1900	CAP SCREW	4		5/16" X 3/4"
	12H303	LOCK WASHER	4		5/16"
	14H785	NUT	4		5/16"
18	03H1540	BOLT	2		5/16" X 3/4"
	12H303	LOCK WASHER	2		5/16"
	14H785	NUT	2		5/16"
19	JD8593	BALL BEARING	2		
20	03H1500	BOLT	6		3/8" X 1"
	12H304	LOCK WASHER	6		3/8"
	14H812	NUT	6		3/8"
21	KEY	1		(5/16" X 5/16" X 2") (CUT FROM H64375 IN AH64587 KEY STOCK KIT)
22	AH92415	CRANKSHAFT	1		

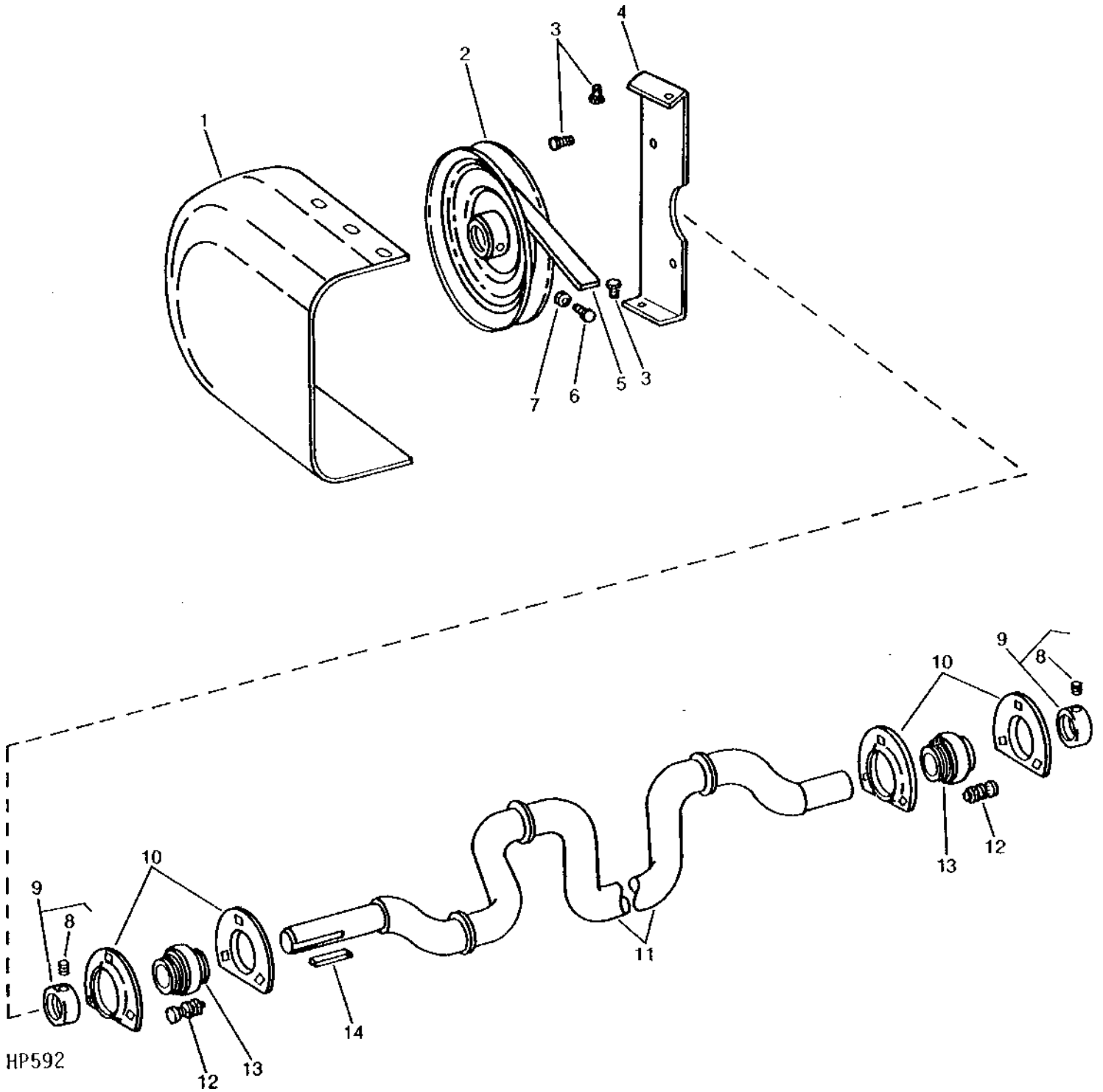
2D10

SEPARATOR

HP592

-UN-01JAN94

STRAW WALKER REAR CRANKSHAFT AND STRAW SPREADER DRIVE SHEAVE AND SHIELD



2D11

SEPARATOR

STRAW WALKER REAR CRANKSHAFT AND STRAW SPREADER DRIVE SHEAVE AND SHIELD - CONTINUED

KEY	PART NO.	PART NAME	QTY	SERIAL NO.	REMARKS
1	H98221	SHIELD	1		
2	AH93058	SHEAVE	1		229 MM (9") DIA. (STRAW SPREADER DRIVE)
3	H65108	SCREW	4		SELF-TAPPING
4	H83469	BRACKET	1		
5	H94254	BELT	1		
6	22H817	SET SCREW	2		3/8" X 3/4"
7	14H732	NUT	2		3/8"
8	22H775	SET SCREW	2		5/16" X 1/4"
9	JD8544	ECCENTRIC LOCKING COLLAR	2		
10	C3056E	PRESSED FLANGED HOUSING	4		
11	AH92415	CRANKSHAFT	1		
12	03H1765	BOLT	6		3/8" X 3/4"
	12H304	LOCK WASHER	6		3/8"
	14H812	NUT	6		3/8"
13	JD9274	BALL BEARING	2		
14	KEY	1		(5/16" X 5/16" X 1-1/4") (CUT FROM H64375 IN AH64587 KEY STOCK KIT)

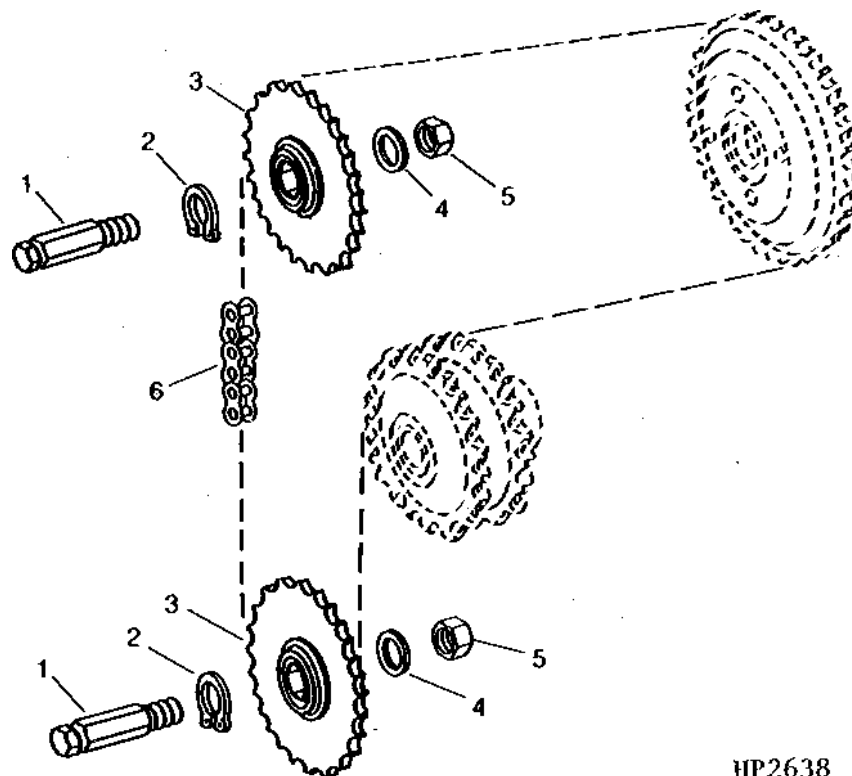
MEMORANDA

2D12

SEPARATOR

HP2638 -UN-01JAN94

STRAW WALKER DRIVE TIGHTENER



HP2638

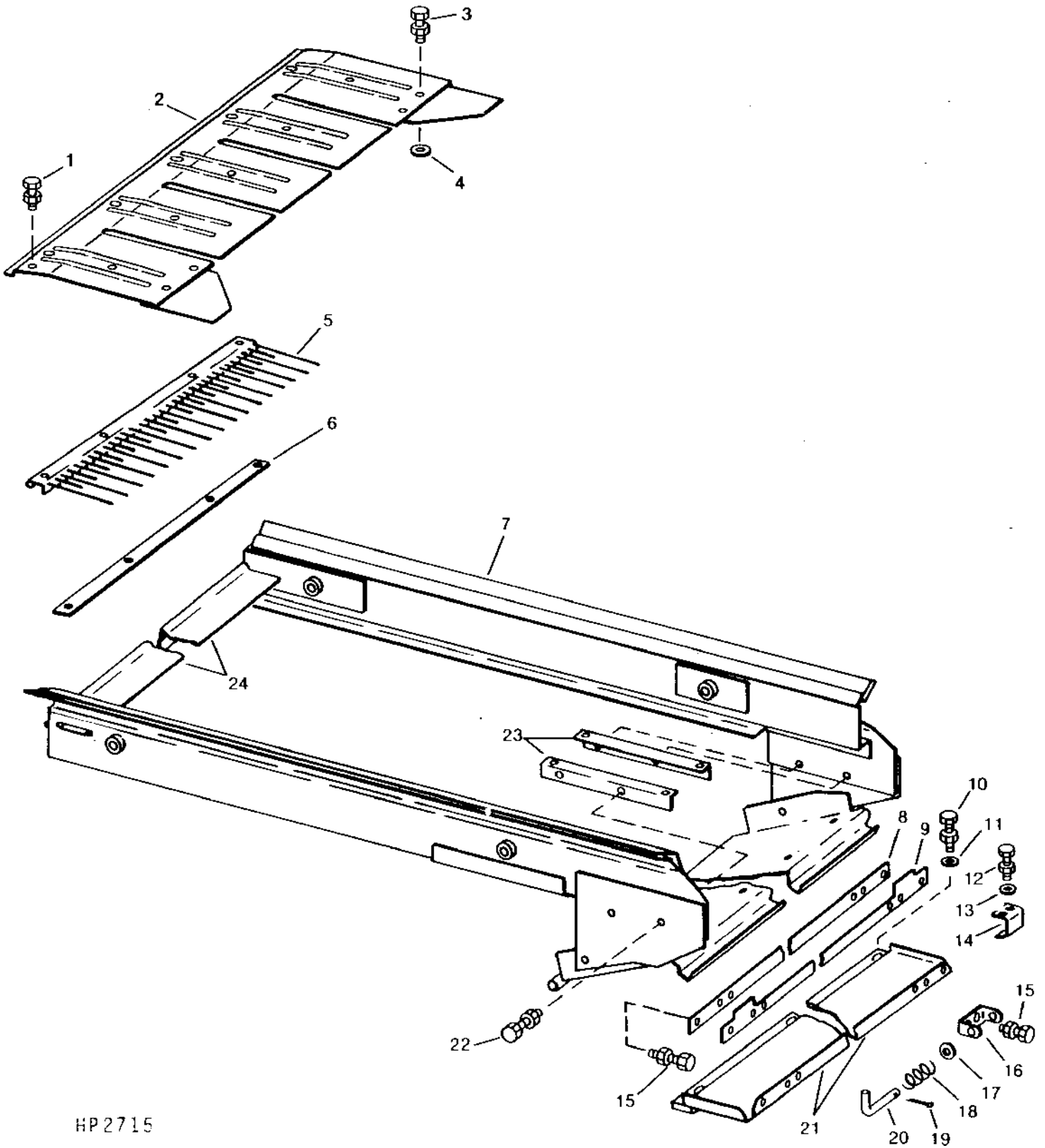
KEY	PART NO.	PART NAME	QTY	SERIAL NO.	REMARKS
1	H88070	SHAFT	2		
2	H75588	SNAP RING	2		
3	AH89429	CHAIN SPROCKET	2	15 TEETH	
4	24H1850	WASHER	2	17/32" X 1-1/4" X 0.180"	
5	E54809	LOCK NUT	2		
6	LINK CHAIN	1		ROLLER, TYPE 60, 19 MM (3/4") PITCH, 99 LINKS, (ASSEMBLE FROM (2) AB1290H, AB1289H, AH18483, (2) B5234H AND (2) AN151830)

2D13

SEPARATOR

HP2715 -UN-01JAN94

CHAFFER FRAME AND COVER



HP 2715

2D14

SEPARATOR

CHAFFER FRAME AND COVER - CONTINUED

KEY	PART NO.	PART NAME	QTY	SERIAL NO.	REMARKS
1	19H2127	CAP SCREW	6		5/16" X 7/8"
	12H303	LOCK WASHER	6	-463600	5/16"
	14H785	NUT	6	-463600	5/16"
2	N10213	LOCK NUT	6	463601-	
	AH81270	COVER	1	-610600	
	AH126341	COVER	1	610601-	(USE WITH AH126338)
3	21H1347	SCREW	12	-610600	5/16" X 5/8"
	N10213	LOCK NUT	12	-610600	
	21H1347	SCREW	10	610601-	5/16" X 5/8"
4	N10213	LOCK NUT	10	610601-	
	24H1224	WASHER	12	-610600	11/32" X 1" X 1/16"
	24H1224	WASHER	4	610601-	11/32" X 1" X 1/16"
5	24H1297	WASHER	6	610601-	11/32" X 2" X 0.065"
	AH80491	FINGER	2	-615300	(SUB AH126338)
	AH126338	FINGER	2		
6	H121837	STRIP	1	610601-	
7	H76534	SEAL	2		
8	H99076	STRIP	1	-610600	(SUB H122251)
	H122251	STRIP	1		
9	H99074	SEAL	1	-610600	(SUB H122253)
	H122253	SEAL	1		
10	19H1919	CAP SCREW	11	-463600	1/4" X 5/8"
	12H302	LOCK WASHER	11	-463600	1/4"
	37H51	SCREW	11	463601-	1/4" X 1/2"
11	24H1287	WASHER	11		9/32" X 5/8" X 0.065"
12	19H1875	CAP SCREW	1	-600000	5/16" X 1-3/4"
	12H303	LOCK WASHER	1	-600000	5/16"
	14H785	NUT	1	-600000	5/16"
	19H1875	CAP SCREW	2	-610600	5/16" X 1-3/4"
	12H303	LOCK WASHER	2	-610600	5/16"
	14H785	NUT	2	-610600	5/16"
	19H1913	CAP SCREW	4	610601-	5/16" X 2-1/4", (WITH HARVESTRAK)
	19H1901	CAP SCREW	4	610601-	5/16" X 2", (LESS HARVESTRAK)
	12H303	LOCK WASHER	4	610601-	5/16"
	14H785	NUT	4	610601-	5/16"
24H1136	WASHER	4	610601-	11/32" X 11/16" X 0.065", (LESS HARVESTRAK)	
24H1136	WASHER	2	610601-	11/32" X 11/16" X 0.065", (WITH HARVESTRAK)	
13	24H1292	WASHER	2		11/32" X 3/4" X 0.120", (SUB H130177)
14	H86868	LATCH	2		
15	19H2036	CAP SCREW	12		1/4" X 7/8"
	12H302	LOCK WASHER	12	-463600	1/4"
	14H786	NUT	12	-463600	1/4"
	N10217	LOCK NUT	12	463601-	
16	P39723	BRACKET	2		
17	24H1305	WASHER	2		13/32" X 13/16" X 0.065"
18	HZ5621H	SPRING	2		
19	11H211	COTTER PIN	2		1/8" X 3/4"
20	P39705	PIN	2		
21	AH97760	DOOR	1	-610600	(SUB AH118734)
	AH118734	HINGE	1		
22	19H1731	CAP SCREW	6	-610600	3/8" X 1"
	12H304	LOCK WASHER	6	-610600	3/8"
	14H812	NUT	6	-610600	3/8"
	19H2676	CAP SCREW	6	610601-	3/8" X 1"
	12H304	LOCK WASHER	6	610601-620300	3/8"
	14H1076	NUT	6	610601-620300	3/8"
	H95174	LOCK NUT	6	610601-	3/8"
23	H99004	ANGLE	2	-610600	
	H122291	CHANNEL	1	610601-620300	R.H. (SUB H135950)
	H135950	CHANNEL	1	620301-	R.H.
	H122292	CHANNEL	1	610601-620300	L.H. (SUB H135951)
24	H135951	CHANNEL	1	620301-	L.H.
	AH97751	FRAME	1	-610600	
	AH115199	FRAME	1	610601-	

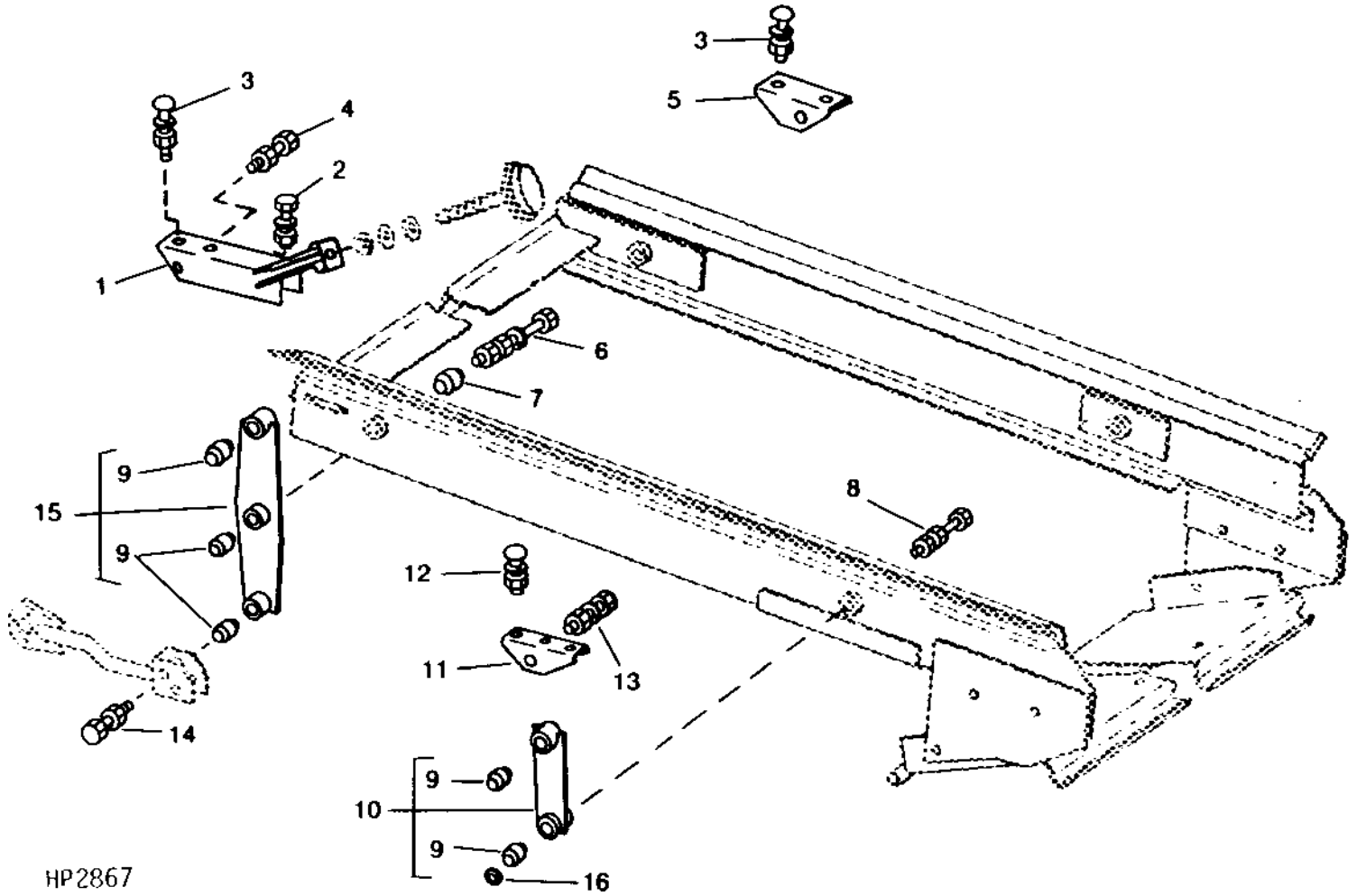
2D15

SEPARATOR

HP2867

-UN-01JAN94

CHAFFER FRAME BRACKETS AND SWINGERS



HP2867

2D16

SEPARATOR

CHAFFER FRAME BRACKETS AND SWINGERS - CONTINUED

KEY	PART NO.	PART NAME	QTY	SERIAL NO.	REMARKS
1	AH96946	SUPPORT	1		L.H.
2	19H1905	CAP SCREW	1		5/16" X 1"
	12H303	LOCK WASHER	1		5/16"
	14H785	NUT	1		5/16"
3	03H1709	BOLT	4		5/16" X 1"
	12H303	LOCK WASHER	4		5/16"
	14H785	NUT	4		5/16"
4	19H1890	CAP SCREW	2		5/8" X 2-3/4"
	12H294	LOCK WASHER	2		5/8"
	14H1039	NUT	2		5/8"
5	H98427	SUPPORT	1		R.H.
6	19H3147	SCREW	2	-610600	5/8" X 4-1/2"
	19H1872	CAP SCREW	2	610601-620720	5/8" X 6"
	19H3256	CAP SCREW	2	620721-	
	E13874	WASHER	4	620721-	
	14H1039	NUT	4		5/8"
7	H76650	BUSHING	2	-610600	
	H124261	SPACER	2	610601-	
8	19H3144	SCREW	2	-610600	5/8" X 3-1/2"
	19H3143	SCREW	2	610601-	5/8" X 4"
	14H821	NUT	4	-610600	5/8"
	14H760	NUT	2	610601-	5/8"
9	AH80384	ISOLATOR	10	-610600	
	AH80384	ISOLATOR	12	610601-	
10	AH75758	ARM	2		REAR
11	H99113	SUPPORT	1		REAR, L.H.
	H99112	SUPPORT	1		REAR, R.H.
12	03H1709	BOLT	4		5/16" X 1"
	12H303	LOCK WASHER	4		5/16"
	14H785	NUT	4		5/16"
13	19H1890	CAP SCREW	2		5/8" X 2-3/4"
	12H294	LOCK WASHER	2		5/8"
	14H1039	NUT	2		5/8"
14	19H1847	CAP SCREW	2		5/8" X 2-1/2"
	12H247	LOCK WASHER	2		5/8"
	14H821	NUT	2		5/8"
15	AH78541	ARM	1	-610600	FRONT, L.H.
	AH120641	ARM	1	610601-	FRONT, L.H.
	AH78540	ARM	1	-610600	FRONT, R.H.
	AH120640	ARM	1	610601-	FRONT, R.H.
16	R28695	WASHER	2	610601-	

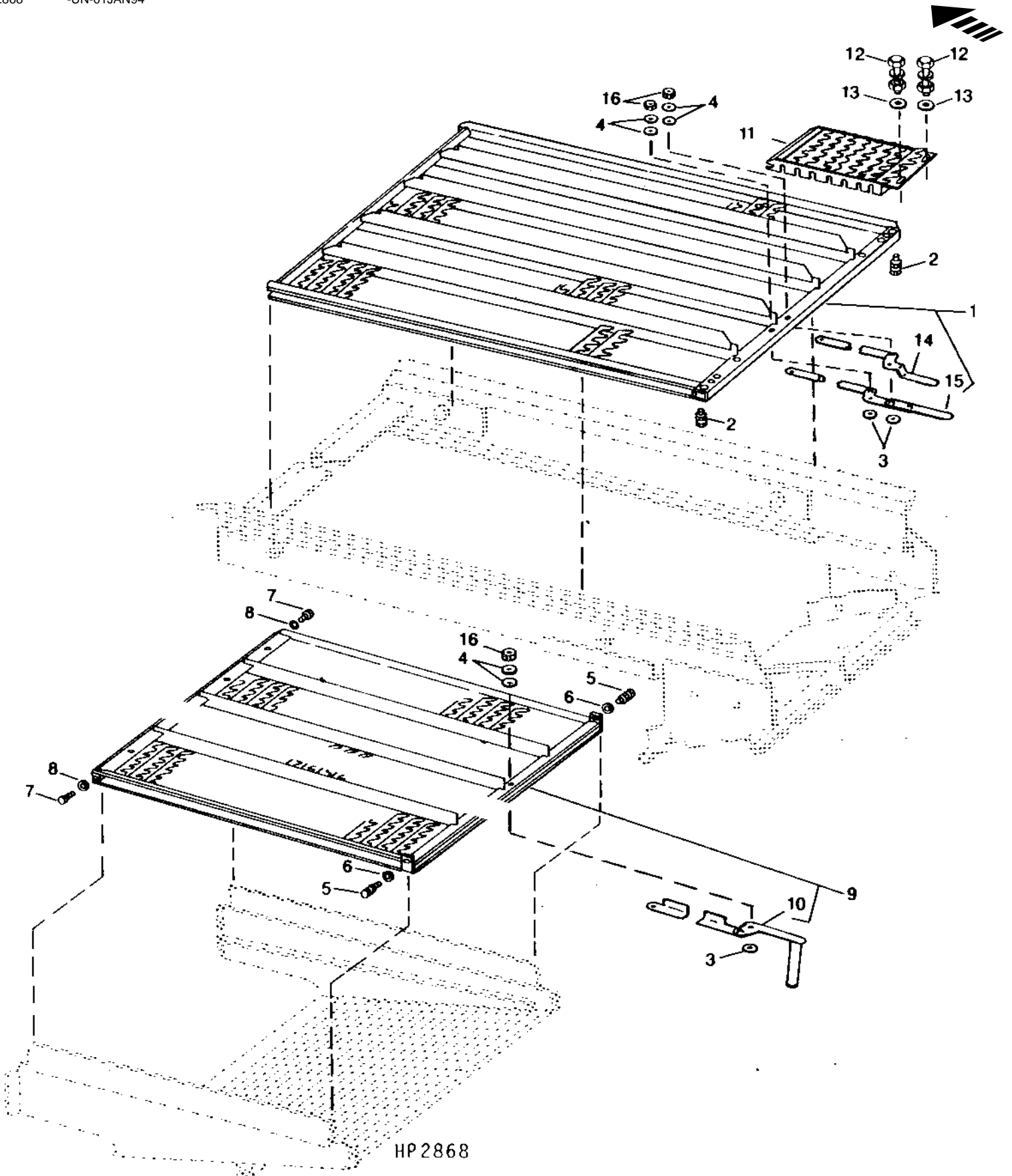
2D17

SEPARATOR

HP2868

-UN-01JAN94

CHAFFER AND SIEVE



HP2868

CHAFFER AND SIEVE - CONTINUED

KEY	PART NO.	PART NAME	QTY	SERIAL NO.	REMARKS
1	AH106770	CHAFFER	1	-610600	REGULAR TOOTH, 29 MM (1-1/8") SPACING
	AH117085	CHAFFER	1	610601-615300	REGULAR TOOTH, 29 MM (1-1/8") SPACING, (USE WITH AH117076) (SUB AH125836)
	AH125836	CHAFFER	1	-620300	REGULAR TOOTH, 29 MM (1-1/8") (SUB AH130381)
	AH130381	CHAFFER	1	620301-	REG TOOTH, 29MM (1-1/8") (USE WITH AH117076)
	AH106771	CHAFFER	1	-610600	REGULAR TOOTH, 41 MM (1-5/8") SPACING
	AH117765	CHAFFER	1	610601-615300	REGULAR TOOTH, 41 MM (1-5/8") SPACING, (USE WITH AH117768) (SUB AH125837)
	AH125837	CHAFFER	1	-620300	REGULAR TOOTH, 41 MM (1-5/8") (SUB AH130382)
	AH130382	CHAFFER	1	620301-	REG TOOTH, 41MM (1-5/8") (USE WITH AH117768)
	AH97999	CHAFFER	1	-414100	(SUB AH106772)
	AH106772	CHAFFER	1	-610600	DEEP TOOTH, 41 MM (1-5/8") SPACING
	AH117088	CHAFFER	1	610601-615300	DEEP TOOTH, 41 MM (1-5/8") SPACING, (USE WITH AH117082) (SUB AH125838)
	AH125838	CHAFFER	1	-620300	DEEP TOOTH, 41 MM (1-5/8") (SUB AH130383)
	AH130383	CHAFFER	1	620301-	DEEP TOOTH, 41MM(1-5/8") (USE WITH AH117082)
	AH128755	CHAFFER	1	620301-	NON-ADJUSTABLE AIRFOIL
2	19H1801	CAP SCREW	2	-610600	3/8" X 2"
	12H304	LOCK WASHER	2	-610600	3/8"
	14H812	NUT	2	-610600	3/8"
	19H1805	CAP SCREW	2	610601-	1/2" X 2-1/4" (NON-ADJUSTABLE)
	19H1930	CAP SCREW	2	620301-	1/2" X 2-1/2" (ADJUSTABLE)
	12H301	LOCK WASHER	2	610601-	1/2"
	14H809	NUT	AR	610601-	1/2" (2 USED, NON-ADJ AIRFOIL; 4 USED, ADJ)
	3	H86767	WASHER	AR	
4	H86768	WASHER	AR		(4 USED, CHAFFER; 2 USED, SIEVE)
5	19H1900	CAP SCREW	2	-610600	5/16" X 3/4", (USE WITH ADJUSTABLE SIEVE)
	12H303	LOCK WASHER	2	-610600	5/16"
	14H785	NUT	2	-610600	5/16"
	19H2548	CAP SCREW	2	610601-	1/2" X 7/8", (USE WITH ADJUSTABLE SIEVE)
	12H301	LOCK WASHER	2	610601-	1/2", (USE WITH ADJUSTABLE SIEVE)
	19H1900	CAP SCREW	2	610601-	5/16" X 3/4", (USE WITH ROUND HOLE SIEVE)
	12H303	LOCK WASHER	2	610601-	5/16", (USE WITH ROUND HOLE SIEVE)
	14H785	NUT	2	610601-	5/16", (USE WITH ROUND HOLE SIEVE)
6	24H1111	WASHER	2		17/32" X 1-1/16" X 0.090", (USE WITH ADJUSTABLE SIEVE)
	24H1136	WASHER	4		11/32" X 11/16" X 0.065", (USE WITH ROUND HOLE SIEVE)
7	19H2548	CAP SCREW	2		1/2" X 7/8", (USE WITH ADJUSTABLE SIEVE)
	12H301	LOCK WASHER	2		1/2"
	19H1900	CAP SCREW	2		5/16" X 3/4", (USE WITH RD. HOLE SIEVE)
	12H303	LOCK WASHER	2		5/16"
	14H785	NUT	2		5/16"
	8	24H1111	WASHER	2	
	24H1136	WASHER	2		11/32" X 11/16" X 0.065", (USE WITH RD. HOLE SIEVE)
9	AH96771	SIEVE	1	-610600	ADJUSTABLE
	AH115213	SIEVE	1	610601-615300	ADJUSTABLE, (SUB AH125844)
	AH127285	SIEVE	1	-620300	REG TOOTH, (SUB FOR AH125844) (SUB AH130389)
	AH130389	SIEVE	1	620301-	REGULAR TOOTH
	AH77805	SIEVE	1	-610600	FIXED (7 MM (9/32") RD. HOLES)
	AH118984	SIEVE	1	610601-	FIXED (7 MM (9/32") RD. HOLES)
	AH77806	SIEVE	1	-610600	FIXED (10 MM (3/8") RD. HOLES)
	AH118987	SIEVE	1	610601-	FIXED (10 MM (3/8") RD HOLES)
	AH77807	SIEVE	1	-610600	FIXED (3 MM (1/10") RD. HOLES)
	AH118981	SIEVE	1	610601-	FIXED (3 MM (1/10") RD. HOLES)
	AH98001	SIEVE	1		DEEP TOOTH
10	AH130876	HANDLE	1	620301-	SIEVE
11	AH117076	CHAFFER	2	610601-	(USE WITH AH130381)
	AH117768	CHAFFER	2	610601-	(USE WITH AH130382)
	AH117082	CHAFFER	2	610601-	(USE WITH AH130383)
	12	19H1901	CAP SCREW	6	610601-
	19H1913	CAP SCREW	6	610601-	5/16" X 2-1/4", WITH HARVESTRAK, ADJ
	19H1875	CAP SCREW	6	620801-	5/16" X 1-3/4" LESS HARVESTRAK, NON-ADJ
	12H303	LOCK WASHER	6	610601-	5/16"
	14H785	NUT	6	610601-	5/16"
13	24H1136	WASHER	6	610601-	11/32" X 11/16" X 0.065", (LESS HARVESTRAK)
	24H1136	WASHER	2	610601-	11/32" X 11/16" X 0.065", (WITH HARVESTRAK)
14	AH128681	HANDLE	1	620801-	(CHAFFER)
15	AH128679	HANDLE	1	620801-	(CHAFFER) (USE WITH AH130381)
	AH128680	HANDLE	1	620801-	(CHAFFER) (USE WITH AH130382 AND AH130383)
16	H32147	LOCK NUT	2	620801-	

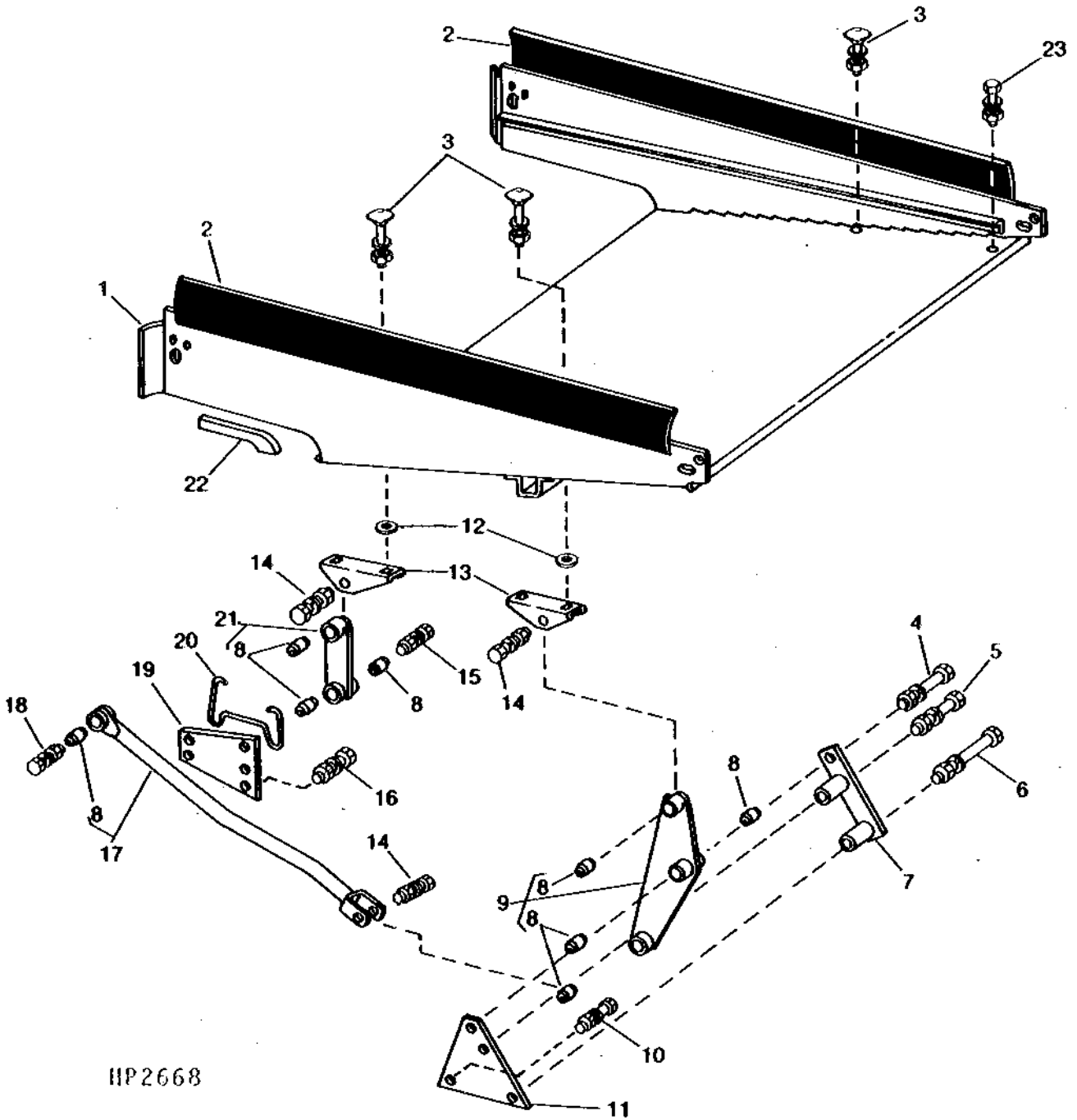
2D19

SEPARATOR

HP2668

-UN-01JAN94

SIEVE FRAME



HP2668

2D20

SEPARATOR

SIEVE FRAME - CONTINUED

KEY	PART NO.	PART NAME	QTY	SERIAL NO.	REMARKS
1	AH99657	FRAME	1	-562900	(SUB AH112544)
	AH112544	FRAME	1	-610600	
	AH116660	FRAME	1	610601-	
2	H76560	SEAL	2	-610600	
	H117666	SEAL	2	610601-	
3	03H1709	BOLT	8		5/16" X 1"
	12H303	LOCK WASHER	8		5/16"
	14H785	NUT	8		5/16"
4	19H2076	CAP SCREW	2	-610600	5/8" X 5"
	19H2212	CAP SCREW	2	610601-	5/8" X 5-1/4"
	14H1039	NUT	2		5/8"
5	19H2007	CAP SCREW	2		3/8" X 4-1/2"
	12H304	LOCK WASHER	2		3/8"
	14H812	NUT	2		3/8"
6	08H4451	CAP SCREW	2	-610600	3/8" X 6-1/2"
	12H304	LOCK WASHER	2	-610600	3/8"
	14H812	NUT	2	-610600	3/8"
	08H4300	CAP SCREW	2	610601-	1/2" X 6-3/4"
	12H301	LOCK WASHER	2	610601-	1/2"
	14H1040	NUT	2	610601-	1/2"
7	24H1850	WASHER	2	610601-	17/32" X 1-1/4" X 0.180"
	AH75762	BRACE	2	-610600	(SUB AH116147)
	AH116147	BRACE	2		
AH80384	ISOLATOR	16			
9	AH93808	ARM	1	-610600	R.H., REAR
	AH116251	ARM	1	610601-	R.H., REAR
	AH93809	ARM	1	-610600	L.H., REAR
10	AH116252	ARM	1	610601-	L.H., REAR
	19H2128	CAP SCREW	2	-610600	3/8" X 3"
	12H304	LOCK WASHER	2	-610600	3/8"
	14H812	NUT	2	-610600	3/8"
	19H1781	CAP SCREW	1	610601-	1/2" X 3-1/2", (R.H.)
	19H1945	CAP SCREW	1	610601-	1/2" X 3-1/4", (L.H.)
	12H301	LOCK WASHER	2	610601-	1/2"
	14H1040	NUT	2	610601-	1/2"
11	24H1850	WASHER	1	610601-	17/32" X 1-1/4" X 0.180", (L.H. ONLY)
	H99313	SUPPORT	1	-610600	L.H.
	H119656	SUPPORT	1	610601-	L.H.
	AH97930	SUPPORT	1	-610600	R.H.
12	AH116146	SUPPORT	1	610601-	R.H.
	24H1136	WASHER	8		11/32" X 11/16" X 0.065"
13	H98342	SUPPORT	4		
	19H1890	CAP SCREW	6		5/8" X 2-3/4"
	12H294	LOCK WASHER	6		5/8"
14	14H1039	NUT	6		5/8"
	19H2076	CAP SCREW	2		5/8" X 5"
	14H1039	NUT	4		5/8"
15	19H1945	CAP SCREW	3		1/2" X 3-1/4"
	19H1820	CAP SCREW	4		1/2" X 3"
	12H301	LOCK WASHER	7		1/2"
16	14H1040	NUT	7		1/2"
	AH98273	PITMAN ARM	2		
17	19H1847	CAP SCREW	2		5/8" X 2-1/2"
	12H247	LOCK WASHER	2		5/8"
	14H821	NUT	2		5/8"
18	H76645	BRACKET	2		
19	H83115	SPACER	1		
20	AH96763	ARM	2		FRONT
21	SEAL	2	-610600	457 MM (18") LONG, (CUT FROM AH80335)
	SEAL	2	610601-	330 MM (13") LONG) (CUT FROM AH80335)
	SEAL	2		
22	19H1900	CAP SCREW	2	610601-	5/16" X 3/4"
	12H303	LOCK WASHER	2	610601-	5/16"
	14H785	NUT	2	610601-	5/16"

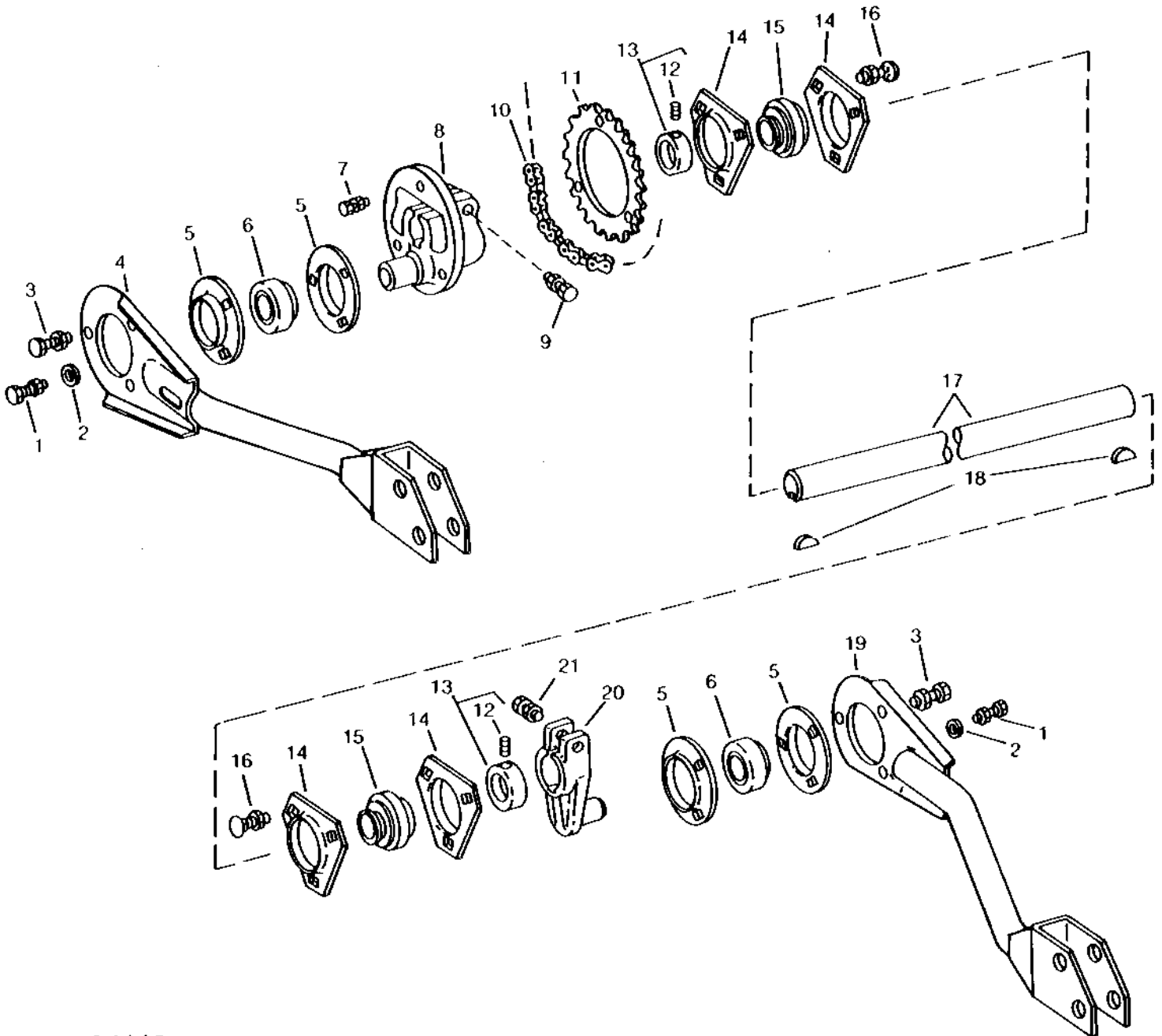
2D21

SEPARATOR

HP2445

-UN-01JAN94

SHOE PITMAN AND SHAFT



HP2445

SHOE PITMAN AND SHAFT - CONTINUED

KEY	PART NO.	PART NAME	QTY	SERIAL NO.	REMARKS
1	19H2284	CAP SCREW	2		3/8" X 7/8"
	12H304	LOCK WASHER	2		3/8"
2	24H1311	WASHER	2	-562900	13/32" X 1-1/4" X 0.220"
	R60671	WASHER	2	561901-	
3	19H2127	CAP SCREW	6	-610600	5/16" X 7/8"
	19H1905	CAP SCREW	6	610601-	5/16" X 1"
	12H303	LOCK WASHER	6		5/16"
	14H785	NUT	6		5/16"
4	AH97809	PITMAN	1	-610600	(SUB AH116966)
	AH116966	PITMAN	1		L.H.
5	H76654	PRESSED FLANGED HOUSING	4		
6	JD9273	BALL BEARING	2		
7	19H1732	CAP SCREW	3		3/8" X 1-1/4"
	12H304	LOCK WASHER	3		3/8"
	14H812	NUT	3		3/8"
8	H93476	HUB	1		
9	19H1801	CAP SCREW	1		3/8" X 2"
	12H304	LOCK WASHER	1		3/8"
	14H812	NUT	1		3/8"
10	LINK CHAIN	1		ROLLER, TYPE 60, 19 MM (3/4") PITCH, 58 LINKS, (ASSEMBLE FROM (3) AB1290H, AB1289H, B5234H, AN151830 AND B5321H)
11	H93477	CHAIN SPROCKET	1		28 TEETH
12	22H775	SET SCREW	2		5/16" X 1/4"
13	JD8594	ECCENTRIC LOCKING COLLAR	2		
14	C3994E	PRESSED FLANGED HOUSING	4	-562900	(SUB H103265, THIS APPLICATION)
	H103265	PRESSED FLANGED HOUSING	4		
15	JD8593	BALL BEARING	2		
16	03H1500	BOLT	6		3/8" X 1"
	12H304	LOCK WASHER	6		3/8"
	14H812	NUT	6		3/8"
17	H98431	CRANKSHAFT	1		
18	26H31	SHAFT KEY	2		5/16" X 1-1/4"
19	AH97810	PITMAN	1	-610600	(SUB AH116965)
	AH116965	PITMAN	1		R.H.
20	H97546	CRANK	1		R.H.
21	19H1733	CAP SCREW	1		3/8" X 2-1/2"
	12H304	LOCK WASHER	1		3/8"
	14H812	NUT	1		3/8"

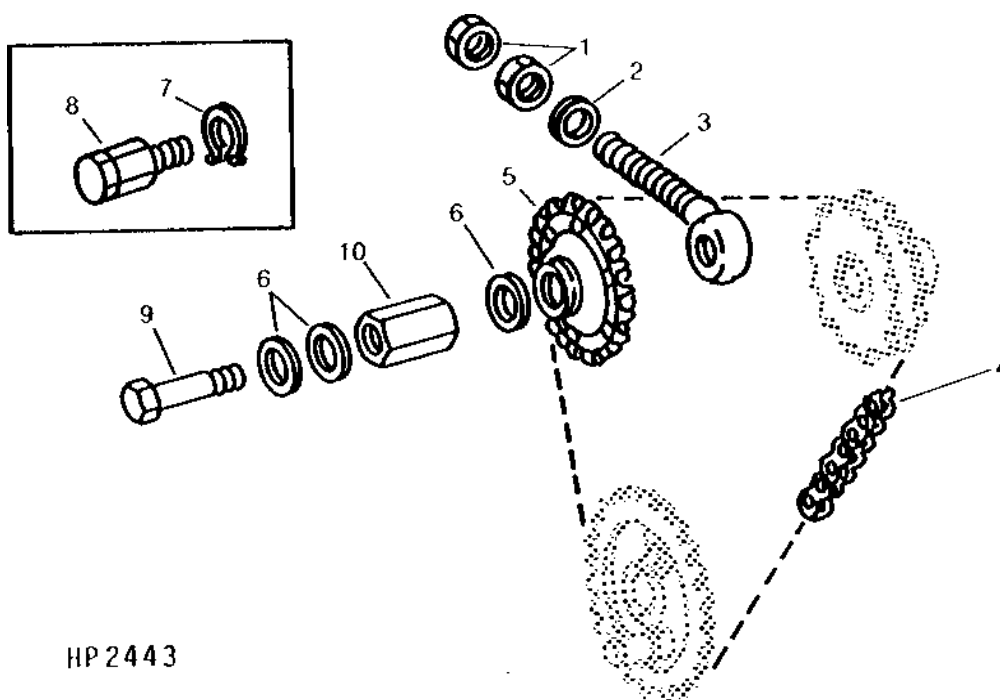
MEMORANDA

2D23

SEPARATOR

HP2443 -UN-01JAN94

SHOE CRANKSHAFT DRIVE TIGHTENER



HP2443

KEY	PART NO.	PART NAME	QTY	SERIAL NO.	REMARKS
1	14H1040	NUT	2		1/2"
2	24H1111	WASHER	1		17/32" X 1-1/16" X 0.090"
3	H93562	EYEBOLT	1		
4	LINK CHAIN	1		ROLLER, TYPE 60, 19 MM (3/4") PITCH, 58 LINKS, (ASSEMBLE FROM (3) AB1290H, AB1289H, B5234H, AN151830 AND B5321H)
5	AH89429	CHAIN SPROCKET	1		15 TEETH
6	24H1850	WASHER	1	-610600	17/32" X 1-1/4" X 0.180"
	24H1850	WASHER	3	610601-	17/32" X 1-1/4" X 0.180"
7	H75588	SNAP RING	1	-610600	
8	H88070	SHAFT	1	-610600	
9	19H1820	CAP SCREW	1	610601-	1/2" X 3"
	12H301	LOCK WASHER	1	610601-	1/2"
10	H117855	SPACER	1	610601-	

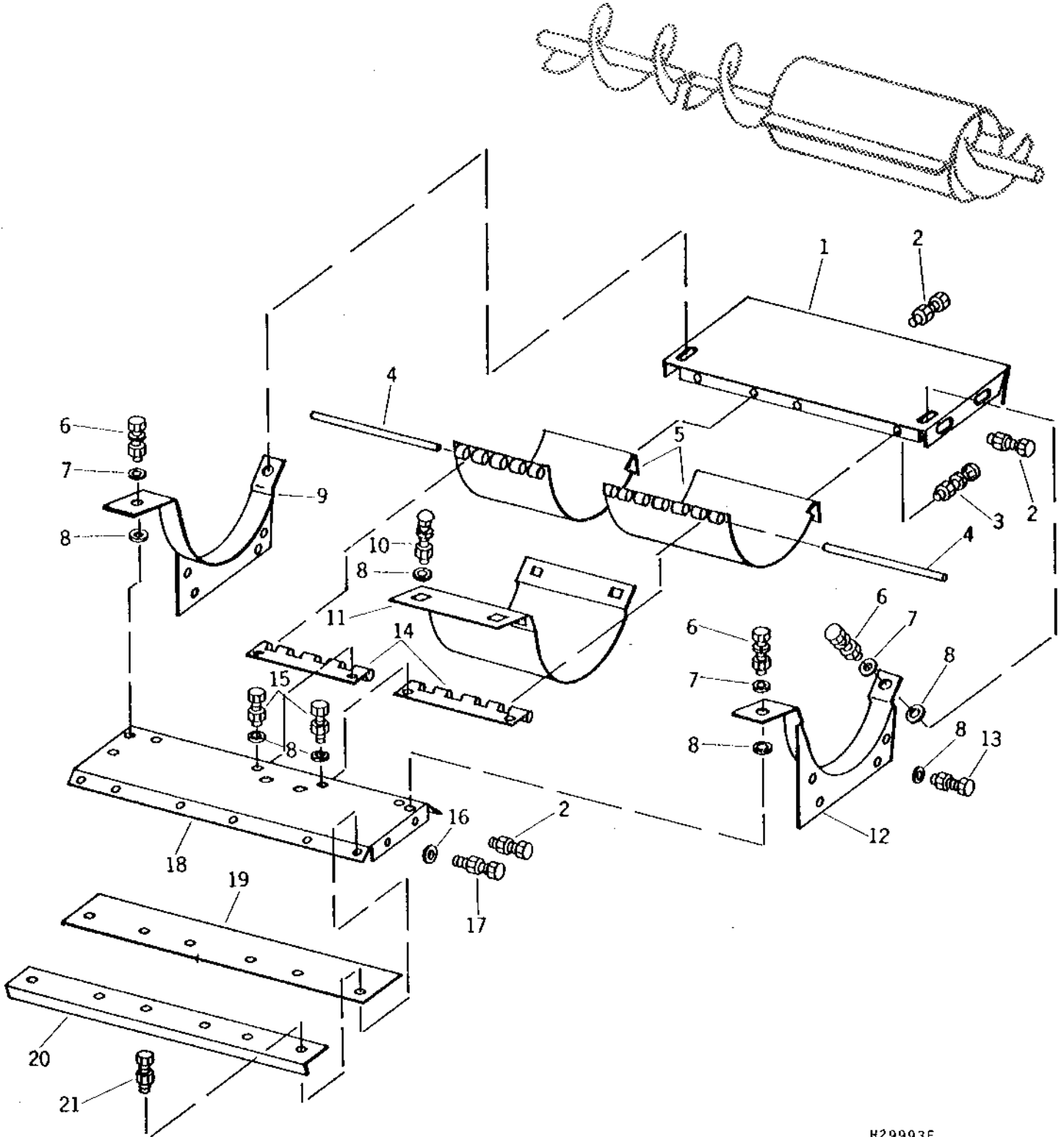
2D24

SEPARATOR

H29993F

-UN-01JAN94

CLEAN GRAIN LOWER AUGER HOUSING



H29993F

2D25

SEPARATOR

CLEAN GRAIN LOWER AUGER HOUSING - CONTINUED

KEY	PART NO.	PART NAME	QTY	SERIAL NO.	REMARKS
1	AH97000	HOUSING	1		
2	N71292	SELF-LOCKING SCREW	15		
	N10213	LOCK NUT	15		
3	03H2280	BOLT	4		5/16" X 2"
	12H303	LOCK WASHER	4		5/16"
	14H785	NUT	4		5/16"
4	H75293	DOWEL PIN	2		
5	H98487	DOOR	2		(SOLID)
	H98490	DOOR	2		(PERFORATED)
6	21H1029	SCREW	4		5/16" X 3/4"
	12H303	LOCK WASHER	4		5/16"
	14H785	NUT	4		5/16"
7	24H1224	WASHER	4		11/32" X 1" X 1/16"
8	24H1136	WASHER	22		11/32" X 11/16" X 0.065"
9	AH96992	FLANGE	1	-562900	(SUB H112959)
	H112959	BRACE	2		L.H.
10	03H1540	BOLT	6		5/16" X 3/4"
	12H303	LOCK WASHER	6		5/16"
	14H785	NUT	6		5/16"
11	H98485	SEAL	1		CENTER
12	AH96991	FLANGE	1		R.H.
13	19H1907	CAP SCREW	8		5/16" X 2-3/4"
	12H303	LOCK WASHER	8		5/16"
	14H785	NUT	8		5/16"
14	H95105	HINGE	2		
15	N10212	SELF-LOCKING SCREW	4		
	12H303	LOCK WASHER	4		5/16"
	14H785	NUT	4		5/16"
16	28H81	WASHER	2		0.364" X 0.540" X 3/16"
17	N10212	SELF-LOCKING SCREW	2		
	N10213	LOCK NUT	2		
18	AH93993	HOUSING	1		REAR, BOTTOM
19	H75952	SEAL	1		
20	H75951	REINFORCEMENT	1		
21	19H1900	CAP SCREW	8		5/16" X 3/4"
	12H303	LOCK WASHER	8		5/16"
	14H785	NUT	8		5/16"

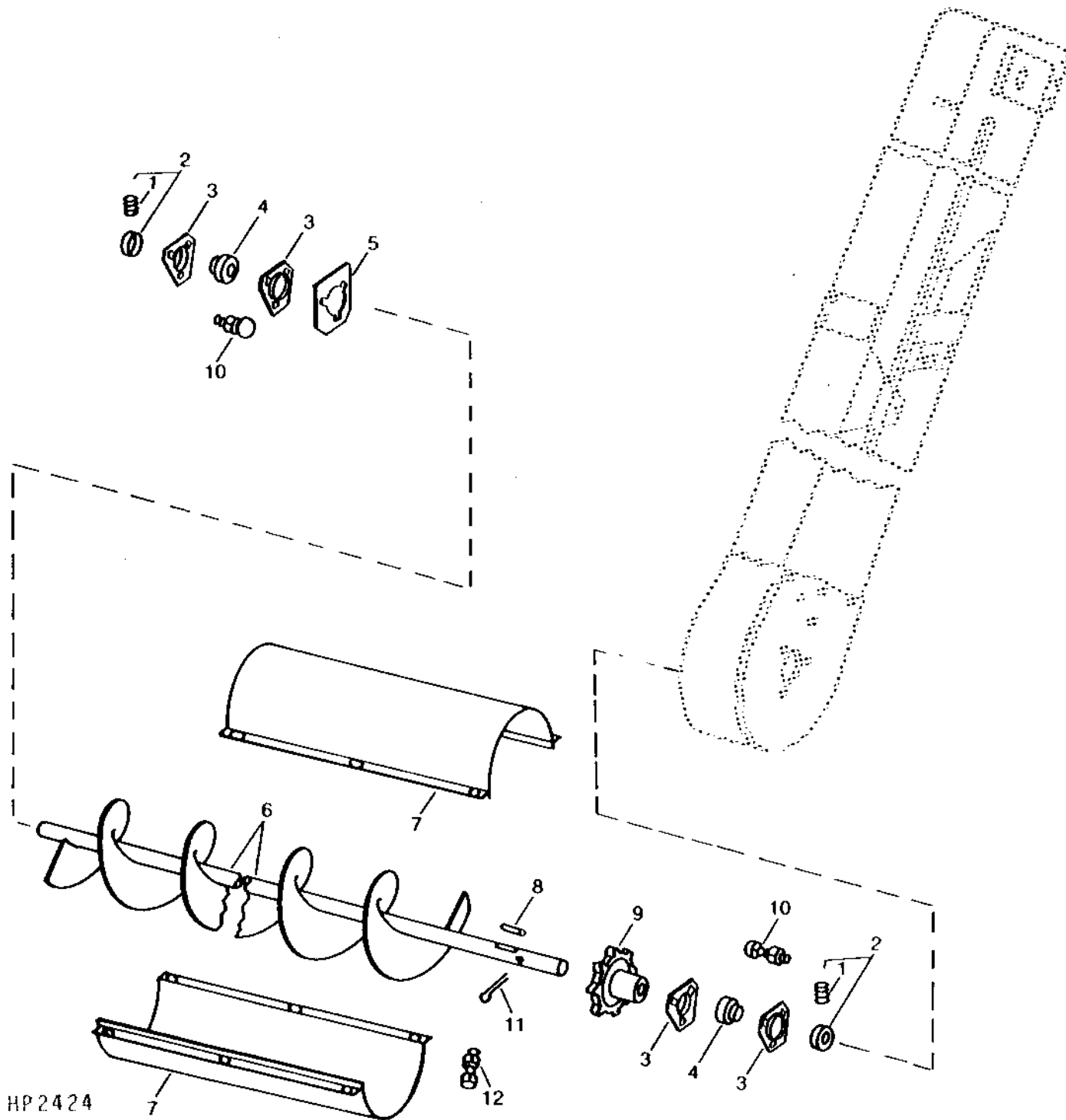
2E1

SEPARATOR

HP2424

-UN-01JAN94

CLEAN GRAIN LOWER AUGER AND HOUSING



2E2

SEPARATOR

CLEAN GRAIN LOWER AUGER AND HOUSING - CONTINUED

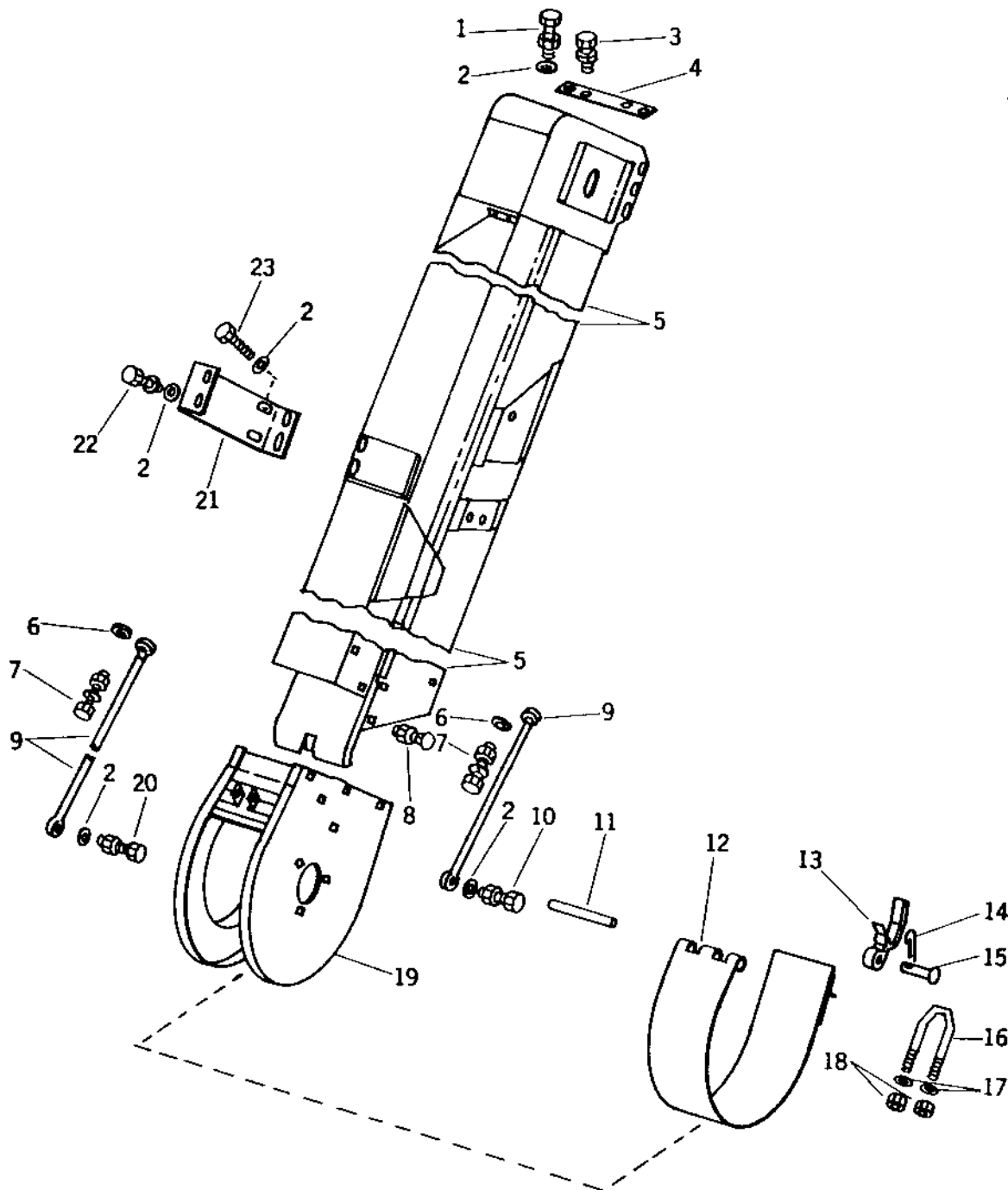
KEY	PART NO.	PART NAME	QTY	SERIAL NO.	REMARKS
1	22H897	SET SCREW	2		1/4" X 1/4"
2	JD8594	ECCENTRIC LOCKING COLLAR	2		
3	C3994E	PRESSED FLANGED HOUSING	4	-562900	(SUB H103265, THIS APPLICATION)
	H103265	PRESSED FLANGED HOUSING	4		
4	JD8593	BALL BEARING	2		
5	H97961	COVER	1	-562900	(SUB H113839)
	H113839	COVER	1	-610600	(SUB H125875)
	H125875	COVER	1		
6	AH91284	AUGER	1	-463600	(SUB AH107442)
	AH107442	AUGER	1		
7	H77058	ARCH	2		
8	P5424H	SHAFT KEY	1		
9	H91334	CHAIN SPROCKET	1		8 TEETH
10	03H1500	BOLT	6		3/8" X 1"
	12H304	LOCK WASHER	6	-463600	3/8"
	14H812	NUT	6	-463600	3/8"
	N10215	LOCK NUT	6	463601-	
11	11H244	COTTER PIN	1		3/16" X 2-1/2"
12	19H2915	CAP SCREW	6		5/16" X 1-1/4"
	12H303	LOCK WASHER	6		5/16"
	14H785	NUT	6		5/16"

2E3

SEPARATOR

CLEAN GRAIN ELEVATOR HOUSING (SERIAL NO. -562900)

H29980F -UN-01JAN94



H29980F

2E4

SEPARATOR

CLEAN GRAIN ELEVATOR HOUSING - CONTINUED
(SERIAL NO. -562900)

KEY	PART NO.	PART NAME	QTY	SERIAL NO.	REMARKS
1	19H2462	CAP SCREW	1	3/8" X 3-1/4"	
	14H732	NUT	1	3/8"	
2	24H1305	WASHER	14	13/32" X 13/16" X 0.065"	
3	21H1029	SCREW	2	5/16" X 3/4"	
	12H303	LOCK WASHER	2	5/16"	
	14H785	NUT	2	5/16"	
4	H83103	STRAP	1		
5	AH112164	ELEVATOR	1	(SUB FOR AH96610)	
6	24H1790	WASHER	2	17/32" X 1-1/2" X 0.164"	
7	19H1781	CAP SCREW	2	1/2" X 3-1/2"	
	12H301	LOCK WASHER	2	1/2"	
	14H1040	NUT	2	1/2"	
8	03H1893	BOLT	10	1/4" X 1/2"	
	12H302	LOCK WASHER	10	1/4"	
	14H786	NUT	10	1/4"	
9	H77056	BRACE	2		
10	19H1800	CAP SCREW	1	3/8" X 1-1/2"	
	12H304	LOCK WASHER	1	3/8"	
	14H812	NUT	1	3/8"	
11	H75985	DOWEL PIN	1		
12	AH77062	DOOR	1	(SOLID)	
13	H101297	LEVER	1		
14	11H211	COTTER PIN	1	1/8" X 3/4"	
15	RV810A	PIN	1		
16	H35688	U-BOLT	1		
17	24H1136	WASHER	2	11/32" X 11/16" X 0.065"	
18	M40699	NUT	2		
19	AH93242	BOOT	1		
20	19H1732	CAP SCREW	1	3/8" X 1-1/4"	
	12H304	LOCK WASHER	1	3/8"	
	14H812	NUT	1	3/8"	
21	H98091	BRACKET	1		
22	19H2284	CAP SCREW	4	3/8" X 7/8"	
	12H304	LOCK WASHER	4	3/8"	
	14H812	NUT	4	3/8"	
23	03H1765	BOLT	4	3/8" X 3/4"	
	12H304	LOCK WASHER	4	3/8"	
	14H812	NUT	4	3/8"	

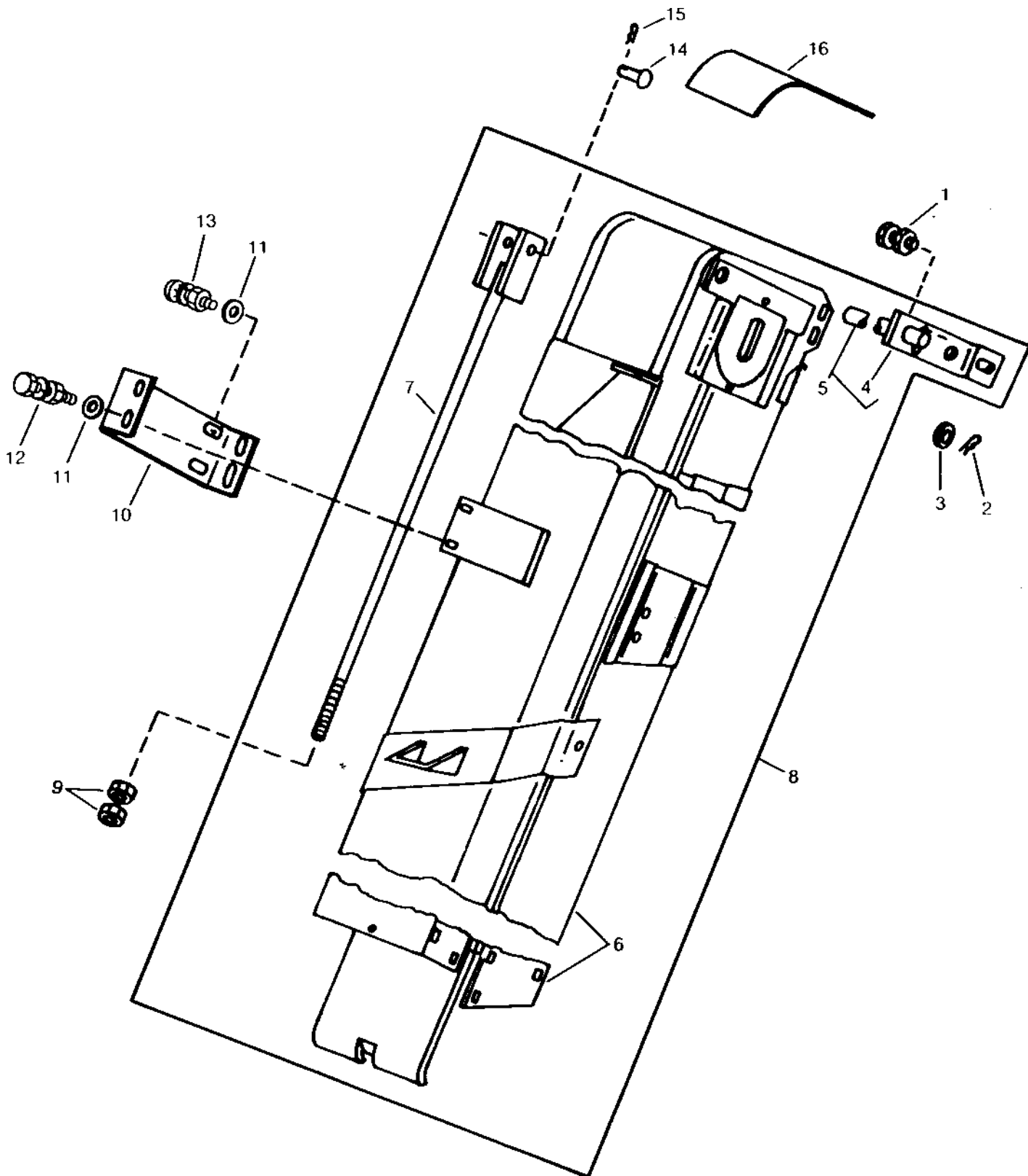
2E5

SEPARATOR

CLEAN GRAIN ELEVATOR HOUSING
(SERIAL NO. 562901-)

HP2472

-UN-01JAN94



HP 2472

2E6

SEPARATOR

CLEAN GRAIN ELEVATOR HOUSING - CONTINUED (SERIAL NO. 562901-)

KEY	PART NO.	PART NAME	QTY	SERIAL NO.	REMARKS
1	N10214	SELF-LOCKING SCREW	2		
	N10215	LOCK NUT	2		
2	11H237	COTTER PIN	1		1/8" X 2"
3	24H1454	WASHER	1		1-1/32" X 2" X 0.060"
4	H106315	LEVER	1		
5	AH108935	LEVER	1		
6	AH110652	ELEVATOR	1		
7	AH105503	YOKE	1		
8	AH112164	ELEVATOR	1		
9	N10215	LOCK NUT	2		
10	H98091	BRACKET	1		
11	24H1305	WASHER	10		13/32" X 13/16" X 0.065"
12	19H2284	CAP SCREW	4		3/8" X 7/8"
	12H304	LOCK WASHER	4		3/8"
	14H812	NUT	4		3/8"
13	03H1765	BOLT	4		3/8" X 3/4"
	12H304	LOCK WASHER	4		3/8"
	14H812	NUT	4		3/8"
14	H79676	PIN	1		
15	11H216	COTTER PIN	1		3/16" X 1"
16	H114130	REINFORCEMENT	1		

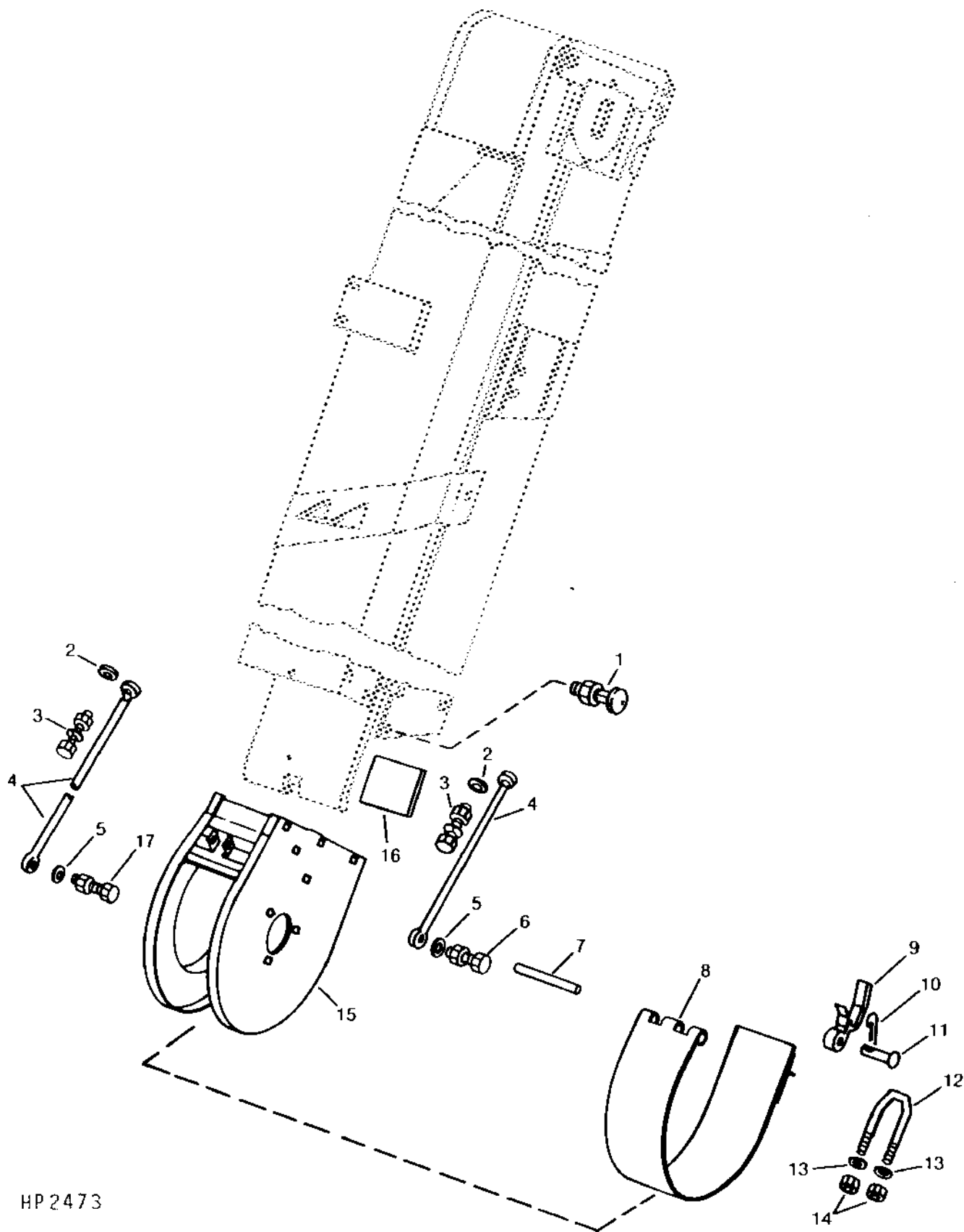
2E7

SEPARATOR

HP2473

-UN-01JAN94

CLEAN GRAIN ELEVATOR HOUSING BOOT (SERIAL NO. 562901-)



HP 2473

2E8

SEPARATOR

CLEAN GRAIN ELEVATOR HOUSING BOOT - CONTINUED
(SERIAL NO. 562901-)

KEY	PART NO.	PART NAME	QTY	SERIAL NO.	REMARKS
1	03H1893	BOLT	10	1/4" X 1/2"	
	12H302	LOCK WASHER	10	1/4"	
	14H786	NUT	10	1/4"	
2	24H1790	WASHER	2	17/32" X 1-1/2" X 0.164"	
3	19H1781	CAP SCREW	2	1/2" X 3-1/2"	
	12H301	LOCK WASHER	2	1/2"	
	14H1040	NUT	2	1/2"	
4	H77056	BRACE	2		
5	24H1305	WASHER	2	13/32" X 13/16" X 0.065"	
6	19H1800	CAP SCREW	1	3/8" X 1-1/2"	
	12H304	LOCK WASHER	1	3/8"	
	14H812	NUT	1	3/8"	
7	H75985	DOWEL PIN	1		
8	AH77062	DOOR	1	(SOLID)	
	AH77069	DOOR	1	(PERFORATED)	
9	H101297	LEVER	1		
10	11H211	COTTER PIN	1	1/8" X 3/4"	
11	RV810A	PIN	1		
12	H35688	U-BOLT	1		
13	24H1136	WASHER	2	11/32" X 11/16" X 0.065"	
14	M40699	NUT	2		
15	AH93242	BOOT	1		
16	T37851	REINFORCEMENT	1		
17	19H1732	CAP SCREW	1	3/8" X 1-1/4"	
	12H304	LOCK WASHER	1	3/8"	
	14H812	NUT	1	3/8"	

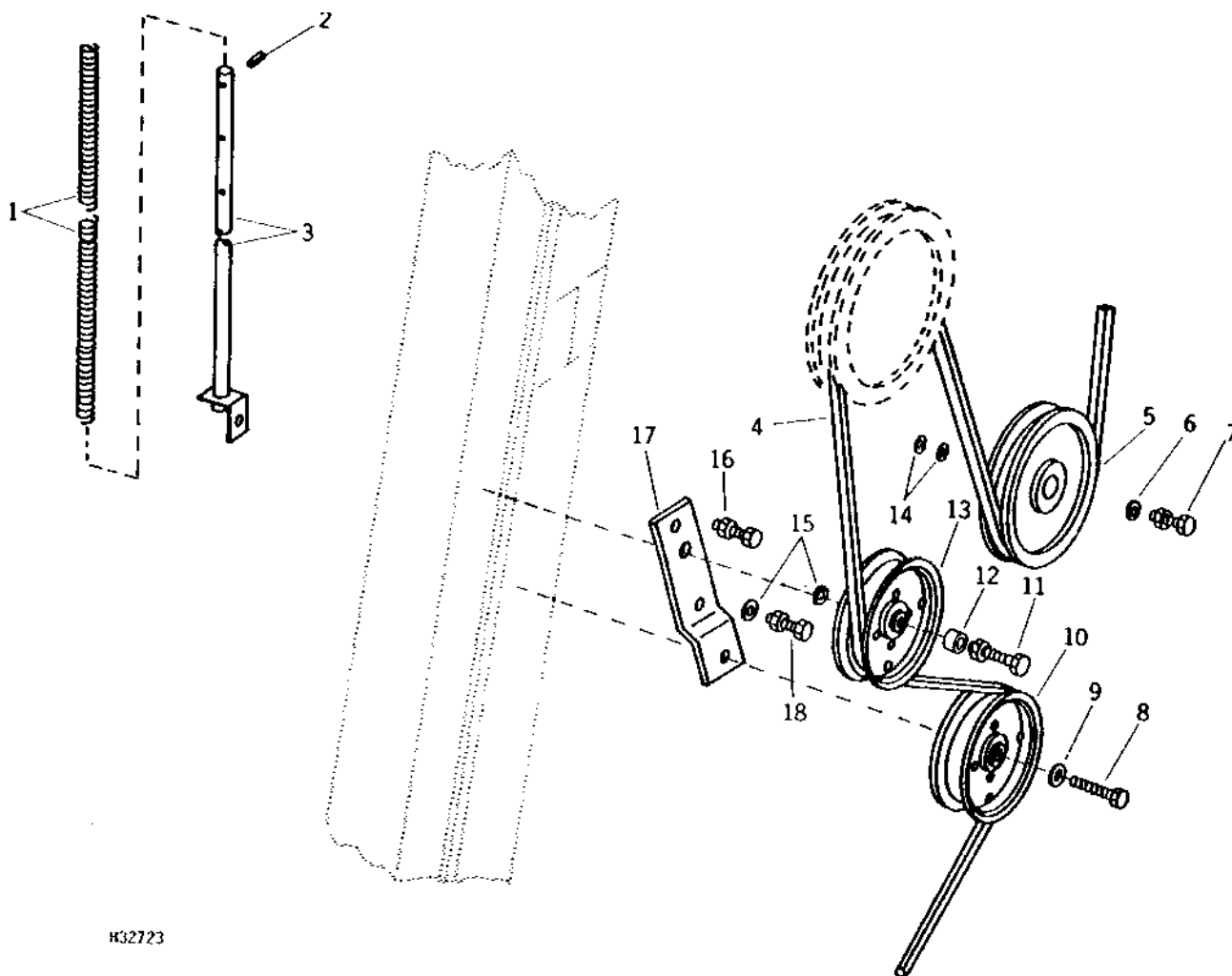
2E9

SEPARATOR

H32723

-UN-01JAN94

CLEAN GRAIN ELEVATOR DRIVE TIGHTENER AND IDLER



H32723

2E10

SEPARATOR

CLEAN GRAIN ELEVATOR DRIVE TIGHTENER AND IDLER - CONTINUED

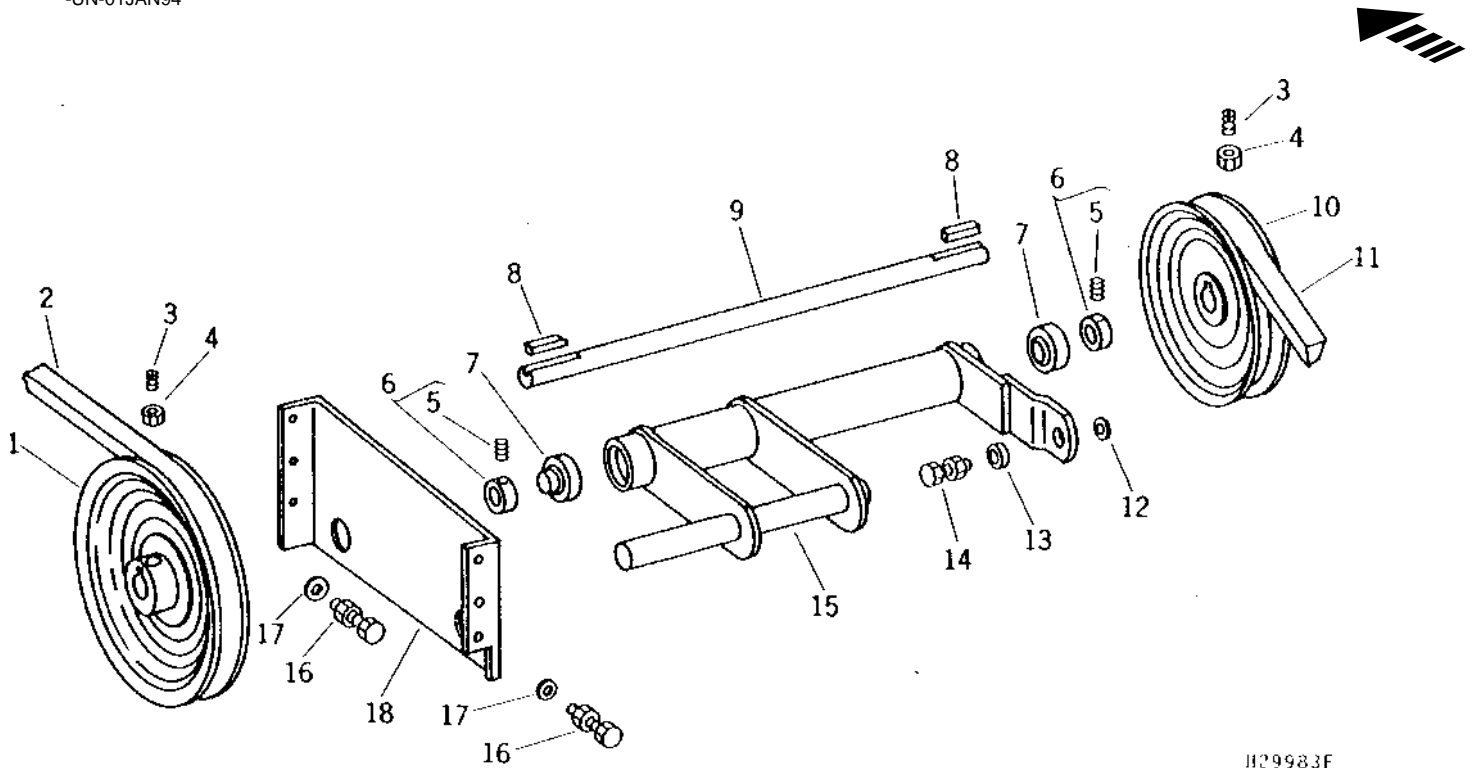
KEY	PART NO.	PART NAME	QTY	SERIAL NO.	REMARKS
1	H103500	SPRING	1		
2	34H77	SPRING PIN	1		3/16" X 1"
3	AH103544	RETAINER	1		
4	H77766	BELT	1		
5	AH94450	IDLER	1		227 MM (9") DIA.
6	24H1368	WASHER	1		21/32" X 1-5/16" X 0.090"
7	19H1847	CAP SCREW	1		5/8" X 2-1/2"
	M2023T	LOCK NUT	1	-562900	(SUB N101344)
	N101344	LOCK NUT	1		
8	19H1721	CAP SCREW	1		1/2" X 1-1/2"
	12H301	LOCK WASHER	1		1/2"
9	24H1341	WASHER	1		17/32" X 15/16" X 0.060"
10	AH14097	SHEAVE	1		178 MM (7") DIA.
11	19H1805	CAP SCREW	1		1/2" X 2-1/4"
	12H301	LOCK WASHER	1		1/2"
	14H1040	NUT	1		1/2"
12	U40538	BUSHING	1		
13	AH65015	SHEAVE	1		133 MM (5-1/4") DIA.
14	24H1373	WASHER	2		21/32" X 1-9/16" X 0.180"
15	24H1111	WASHER	5		17/32" X 1-1/16" X 0.090"
16	19H1732	CAP SCREW	1		3/8" X 1-1/4"
	H99923	LOCK NUT	1		
17	H87070	ARM	1		
18	19H1721	CAP SCREW	1		1/2" X 1-1/2"
	U16721	LOCK NUT	1		

2E11

SEPARATOR

H29983F -UN-01JAN94

CLEAN GRAIN ELEVATOR DRIVE COUNTERSHAFT



H29983F

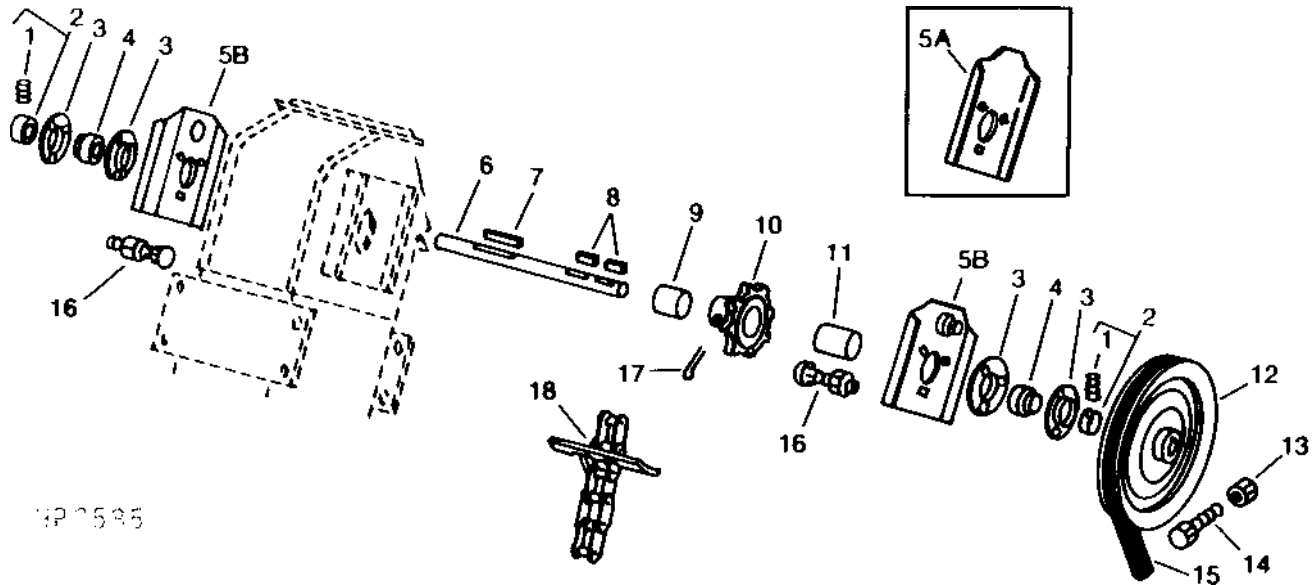
KEY	PART NO.	PART NAME	QTY	SERIAL NO.	REMARKS
1	AH75987	PULLEY	1	-463600	299 MM (11-3/4") DIA.
	AH75986	PULLEY	1	463601-	270 MM (10-5/8") DIA.
2	H27433	BELT	1		
3	22H853	SET SCREW	4		3/8" X 7/8"
4	14H732	NUT	4		3/8"
5	22H897	SET SCREW	2		1/4" X 1/4"
6	JD8554	ECCENTRIC LOCKING COLLAR	2		
7	JD8597	BALL BEARING	2		
8	KEY	2		(1/4" X 1/4" X 1-1/8") (CUT FROM H64374 IN AH64587 KEY STOCK KIT)
9	H77032	COUNTERSHAFT	1		
10	AH75984	PULLEY	1		245 MM (9-5/8") DIA.
11	H77766	BELT	1		
12	24H1783	WASHER	1		13/32" X 1" X 7/64"
13	H76781	WASHER	1	-625300	(SUB N85515)
	N85515	WASHER	1		
14	19H1731	CAP SCREW	1		3/8" X 1"
	12H304	LOCK WASHER	1		3/8"
	14H812	NUT	1		3/8"
15	AH77065	SUPPORT	1		
16	19H1905	CAP SCREW	4		5/16" X 1"
	12H303	LOCK WASHER	4		5/16"
	14H785	NUT	4		5/16"
17	24H1136	WASHER	8		11/32" X 11/16" X 0.065"
18	H98581	BRACKET	1		

2E12

SEPARATOR

HP2585 -UN-25JUL95

CLEAN GRAIN ELEVATOR CONVEYOR CHAIN, SHAFT, SHEAVE, AND SPROCKET



HP2585

KEY	PART NO.	PART NAME	QTY	SERIAL NO.	REMARKS
1	22H897	SET SCREW	2		1/4" X 1/4"
2	JD8554	ECCENTRIC LOCKING COLLAR	2		
3	H103264	PRESSED FLANGED HOUSING	4		(SUB FOR H87472)
4	JD9273	BALL BEARING	2		
5A	AH80508	BRACKET	2	-562900	
5B	AH108918	BRACKET	2	562901-620300	(SUB AH125904)
	AH125904	BRACKET	2		
6	H82948	SHAFT	1		
7	KEY	1		(5/16" X 5/16" X 1-1/2") (CUT FROM H64375 IN AH64587 KEY STOCK KIT)
8	KEY	2		((1/4" X 1/4" X 1-1/4") (CUT FROM H64374 IN AH64587 KEY STOCK KIT)
9	H95028	BUSHING	1		
10	H108576	CHAIN SPROCKET	1		8 TEETH, (SUB FOR H11340, THIS APPLICATION)
11	H95029	BUSHING	1		
12	AH75986	PULLEY	1		
13	14H732	NUT	2		3/8"
14	22H853	SET SCREW	2		3/8" X 7/8"
15	H77766	BELT	1		
16	03H1540	BOLT	6		5/16" X 3/4"
	12H303	LOCK WASHER	6		5/16"
	14H785	NUT	6		5/16"
17	11H244	COTTER PIN	1		
18	AH87747	LINK CHAIN	1		(CA-550 ROLLER CHAIN) (27 PADDLES)
	C10232	LINK	1		(ROLLER)
	C10233	CHAIN LINK	1	600001-610000	(OFFSET)(WITH PIN)
	AC11779	PIN	1		(OFFSET LINK)
	C10263	TRACK CHAIN W/O SHOES	1		(FOR OFFSET LINK)
	AC14974	PIN	1		COUPLER LINK, WITH COTTER PIN
	H86758	PADDLE	27		RUBBER
	AH77055	CONVEYOR	27		(BUCKET)
	H86761	PADDLE	1		STEEL CLEANING
	AH86897	BOLT	54		(PADDLE) (REPLACE RIVETS)
	19H1948	CAP SCREW	AR		1/4" X 3/4", (2 USED, STEEL CLEANING PADDLE; 54 USED, BUCKET)
	14H786	NUT	1		1/4"
	24H1286	WASHER	54		9/32" X 1/2" X 1/16", (BUCKET)
	AH87765	CHAIN LINK	27		(FOR PADDLES)

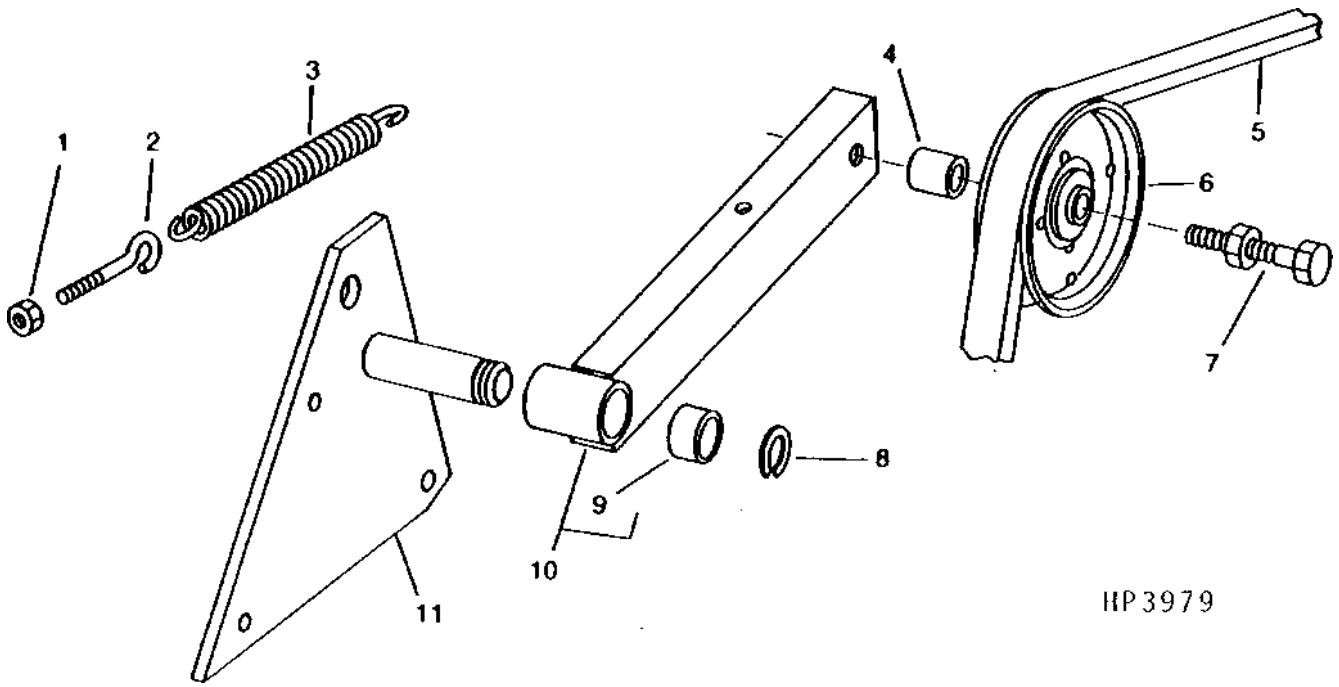
MEMORANDA

2E13

SEPARATOR

HP3979 -UN-01JAN94

LOWER TAILINGS AUGER DRIVE TIGHTENER



HP 3979

KEY	PART NO.	PART NAME	QTY	SERIAL NO.	REMARKS
1	14H785	NUT	1	5/16"	
2	M40283	EYEBOLT	1		
3	H82072	SPRING	1		
4	28H1741	SPACER	1		
5	N110085	BELT	1	-610600	(SUB H118730, THIS APPLICATION)
	H118730	BELTING	1		
6	AH14097	SHEAVE	1	178 MM (7") DIA.	
7	19H1945	CAP SCREW	1	1/2" X 3-1/4"	
	12H301	LOCK WASHER	1	1/2"	
	14H1040	NUT	1	1/2"	
8	P46614	SNAP RING	1		
9	H98655	BUSHING	2		
10	AH97984	PIVOT	1		
11	AH97930	SUPPORT	1		

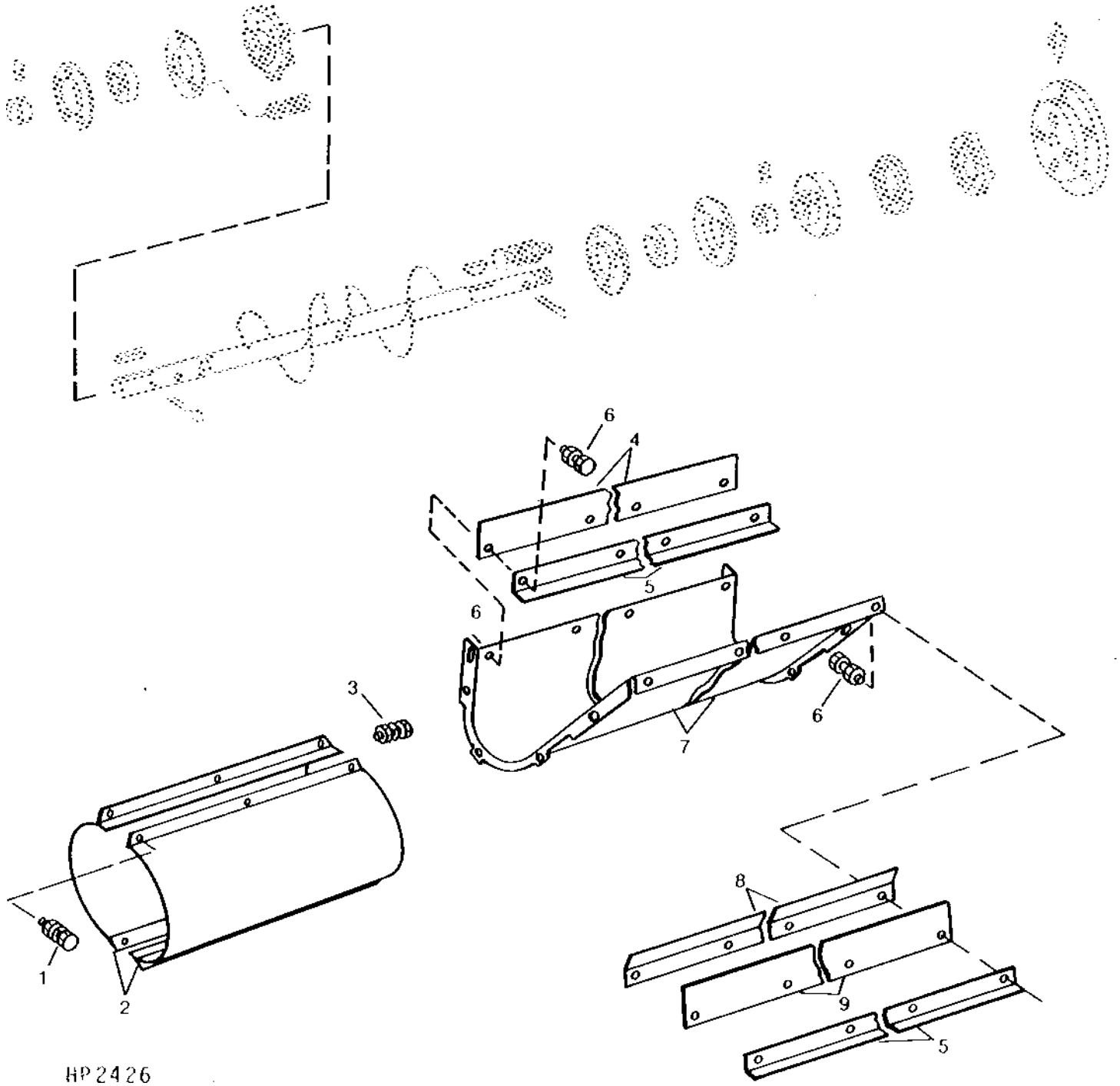
2E14

SEPARATOR

HP2426

-UN-01JAN94

LOWER TAILINGS HOUSING



2E15

SEPARATOR

LOWER TAILINGS HOUSING - CONTINUED

KEY	PART NO.	PART NAME	QTY	SERIAL NO.	REMARKS
1	19H2831	CAP SCREW	6	-610600	5/16" X 1-1/2"
	19H2915	CAP SCREW	6	610601-	5/16" X 1-1/4"
	12H303	LOCK WASHER	6		5/16"
2	14H785	NUT	6		5/16"
	H75975	COVER	2	-610600	HALF, SOLID
	H118676	HOUSING	2	610601-	HALF, SOLID
	H78296	COVER	2	-610600	HALF, PERFORATED
	H118677	HOUSING	2	610601-	HALF, PERFORATED
3	N10212	SELF-LOCKING SCREW	10		
	N10213	LOCK NUT	10		
4	H75952	SEAL	1	610601-	
5	H75951	REINFORCEMENT	1	-610600	
6	H75951	REINFORCEMENT	2	610601-	
	19H1900	CAP SCREW	8	-610600	5/16" X 3/4"
	19H1900	CAP SCREW	16	610601-	5/16" X 3/4"
	12H303	LOCK WASHER	8	-513100	5/16"
	14H785	NUT	8	-513100	5/16"
	N10213	LOCK NUT	8	513101-610600	
7	N10213	LOCK NUT	16	610601-	
	H75942	HOUSING	1	-610600	
	H118534	HOUSING	1	610601-	
8	H81820	DEFLECTOR	1		
9	H75952	SEAL	1	-610600	
	H126163	STRAP	1	610601-	

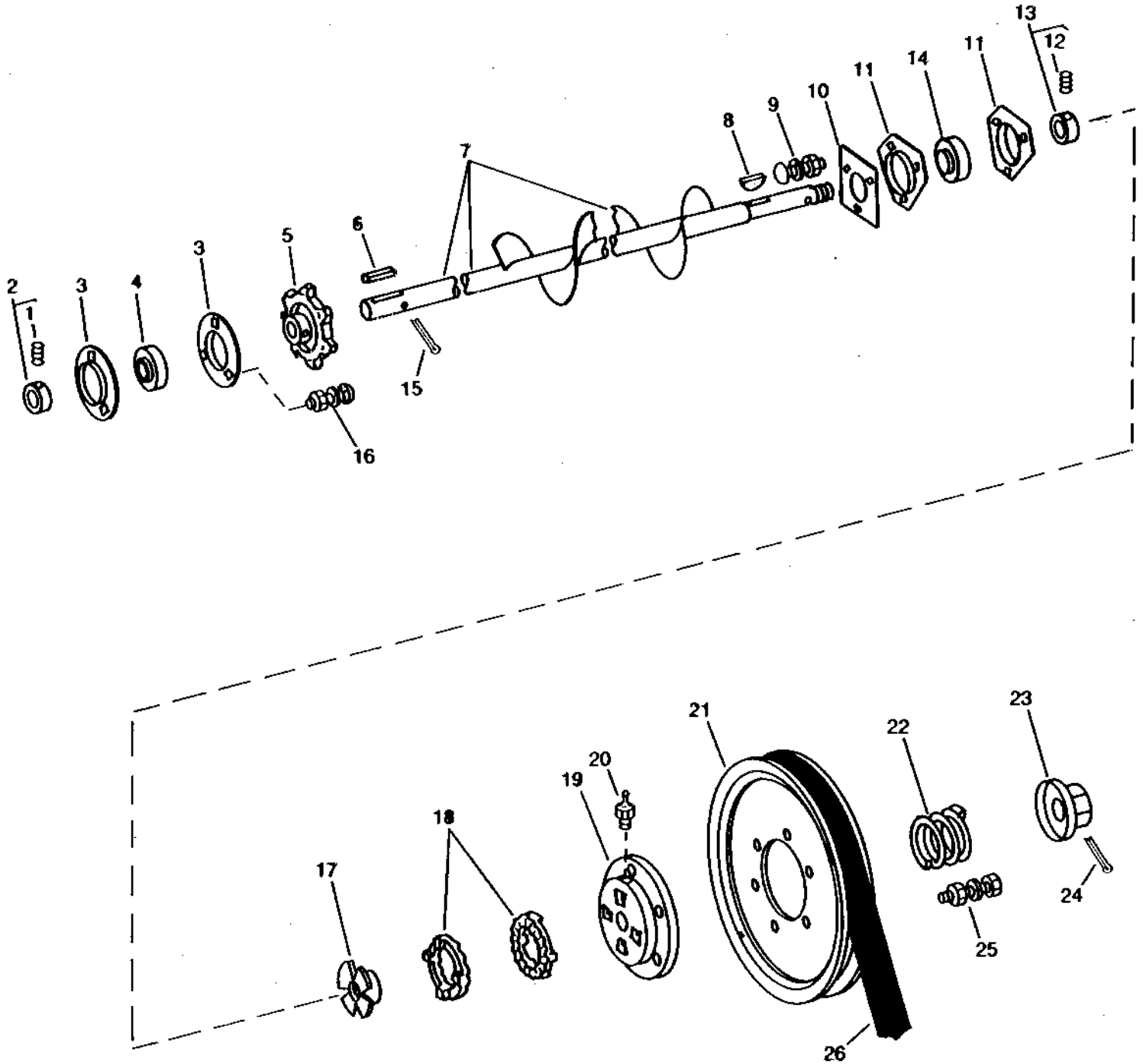
2E16

SEPARATOR

HP1627

-UN-01JAN94

LOWER TAILINGS AUGER
(SERIAL NO. -610600)



HP1627

2E17

SEPARATOR

LOWER TAILINGS AUGER - CONTINUED
(SERIAL NO. -610600)

KEY	PART NO.	PART NAME	QTY	SERIAL NO.	REMARKS
1	22H897	SET SCREW	1		1/4" X 1/4"
2	JD8554	ECCENTRIC LOCKING COLLAR	1		
3	H87472	PRESSED FLANGED HOUSING	2	-600456	
	H103264	PRESSED FLANGED HOUSING	2	600457-	
4	JD9273	BALL BEARING	1		
5	H99472	CHAIN SPROCKET	1		7 TEETH
6	P5424H	SHAFT KEY	1		
7	AH93663	AUGER	1		
8	26H19	SHAFT KEY	1		1/4" X 7/8"
9	03H1500	BOLT	3		3/8" X 1"
	12H304	LOCK WASHER	3		3/8"
	14H812	NUT	3		3/8"
10	H113839	COVER	1	-610600	(SUB H125875)
	H125875	COVER	1		
11	C3994E	PRESSED FLANGED HOUSING	2	-562900	(SUB H103265 AND H113839, THIS APPLICATION)
	H103265	PRESSED FLANGED HOUSING	2		
12	22H897	SET SCREW	1		1/4" X 1/4"
13	JD8594	ECCENTRIC LOCKING COLLAR	1		
14	JD8593	BALL BEARING	1		
15	11H244	COTTER PIN	1		3/16" X 2-1/2"
16	03H1540	BOLT	3		5/16" X 3/4"
	12H303	LOCK WASHER	3		5/16"
	14H785	NUT	3		5/16"
17	H85015	HUB	1		
18	Z699H	SLIP CLUTCH	2		
19	H97574	HUB	1		
20	JD7797	LUBRICATION FITTING	1		STRAIGHT, 1/4"
21	AH75988	SHEAVE	1		299 MM (11-3/4") DIA.
22	J21022	SPRING	1		
23	AH97146	NUT	1		
24	11H249	COTTER PIN	1		1/4" X 2"
25	19H1905	CAP SCREW	6		5/16" X 1"
	12H303	LOCK WASHER	6		5/16"
	14H785	NUT	6		5/16"
26	N110085	BELT	1		

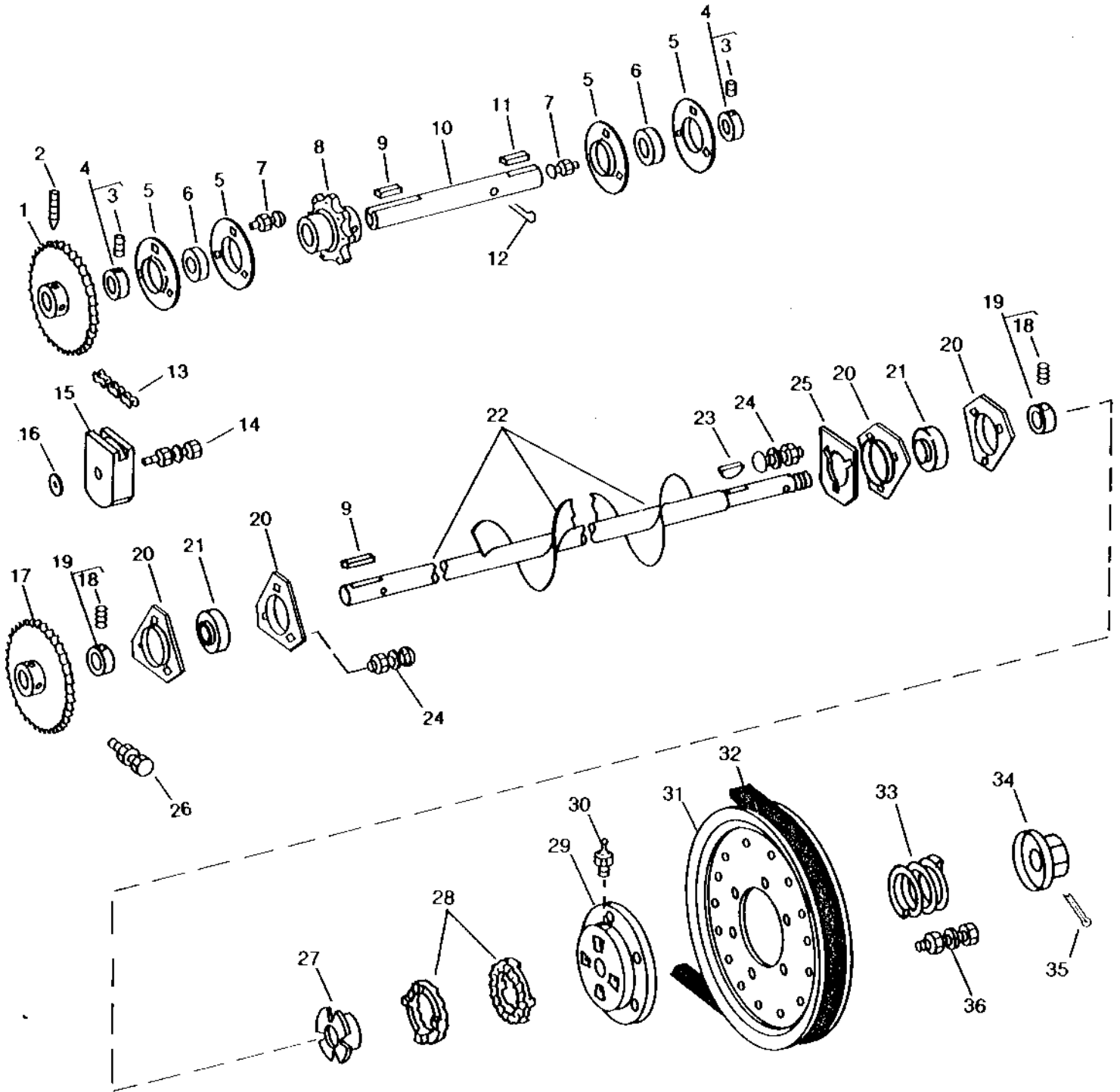
2E18

SEPARATOR

LOWER TAILINGS AUGER, SHAFT AND TIGHTENER (SERIAL NO. 610601-)

HP2417

-UN-01JAN94



HP2417

2E19

SEPARATOR

LOWER TAILINGS AUGER, SHAFT AND TIGHTENER - CONTINUED
(SERIAL NO. 610601-)

KEY	PART NO.	PART NAME	QTY	SERIAL NO.	REMARKS
1	AH84244	DRIVE SPROCKET	1		18 TEETH
2	22H817	SET SCREW	2		3/8" X 3/4"
	14H732	NUT	2		3/8"
3	22H897	SET SCREW	2		1/4" X 1/4"
4	JD8554	ECCENTRIC LOCKING COLLAR	2		
5	H76654	PRESSED FLANGED HOUSING	4		
6	JD9273	BALL BEARING	2		
7	03H1540	BOLT	6		5/16" X 3/4"
	12H303	LOCK WASHER	6		5/16"
	14H785	NUT	6		5/16"
8	H108576	CHAIN SPROCKET	1		8 TEETH
9	KEY	2		(1/4" X 1/4" X 1-1/2") (CUT FROM H64374 IN AH64587 KEY STOCK KIT)
10	H89517	SHAFT	1		
11	P5424H	SHAFT KEY	1		
12	11H244	COTTER PIN	1		3/16" X 2-1/2"
13	LINK CHAIN	1		ROLLER, TYPE 50, 16 MM (5/8") PITCH, 41 LINKS (ASSEMBLE FROM (4) AP6095H AND P20352)
14	03H1791	BOLT	1		5/16" X 2-1/2"
	12H303	LOCK WASHER	1		5/16"
	14H785	NUT	1		5/16"
15	H109735	TIGHTENER	1		
16	24H1136	WASHER	1		11/32" X 11/16" X 0.065"
17	AH96257	CHAIN SPROCKET	1		18 TEETH
18	22H897	SET SCREW	2		1/4" X 1/4"
19	JD8594	ECCENTRIC LOCKING COLLAR	2		
20	H103265	PRESSED FLANGED HOUSING	4		
21	JD8593	BALL BEARING	2		
22	AH122336	AUGER	1		
23	26H19	SHAFT KEY	1		1/4" X 7/8"
24	03H1765	BOLT	6		3/8" X 3/4"
	12H304	LOCK WASHER	6		3/8"
	14H812	NUT	6		3/8"
25	H125875	COVER	1		
26	22H818	SET SCREW	2		5/16" X 3/4"
	14H611	NUT	2		5/16"
27	H85015	HUB	1		
28	Z699H	SLIP CLUTCH	2		
29	H97574	HUB	1		
30	JD7797	LUBRICATION FITTING	1		STRAIGHT, 1/4"
31	AH118447	SHEAVE	1		179 MM (11") DIA.
32	H118730	BELTING	1		
33	J21022	SPRING	1		
34	AH97146	NUT	1		
35	11H249	COTTER PIN	1		1/4" X 2"
36	19H1905	CAP SCREW	6		5/16" X 1"
	12H303	LOCK WASHER	6		5/16"
	14H785	NUT	6		5/16"

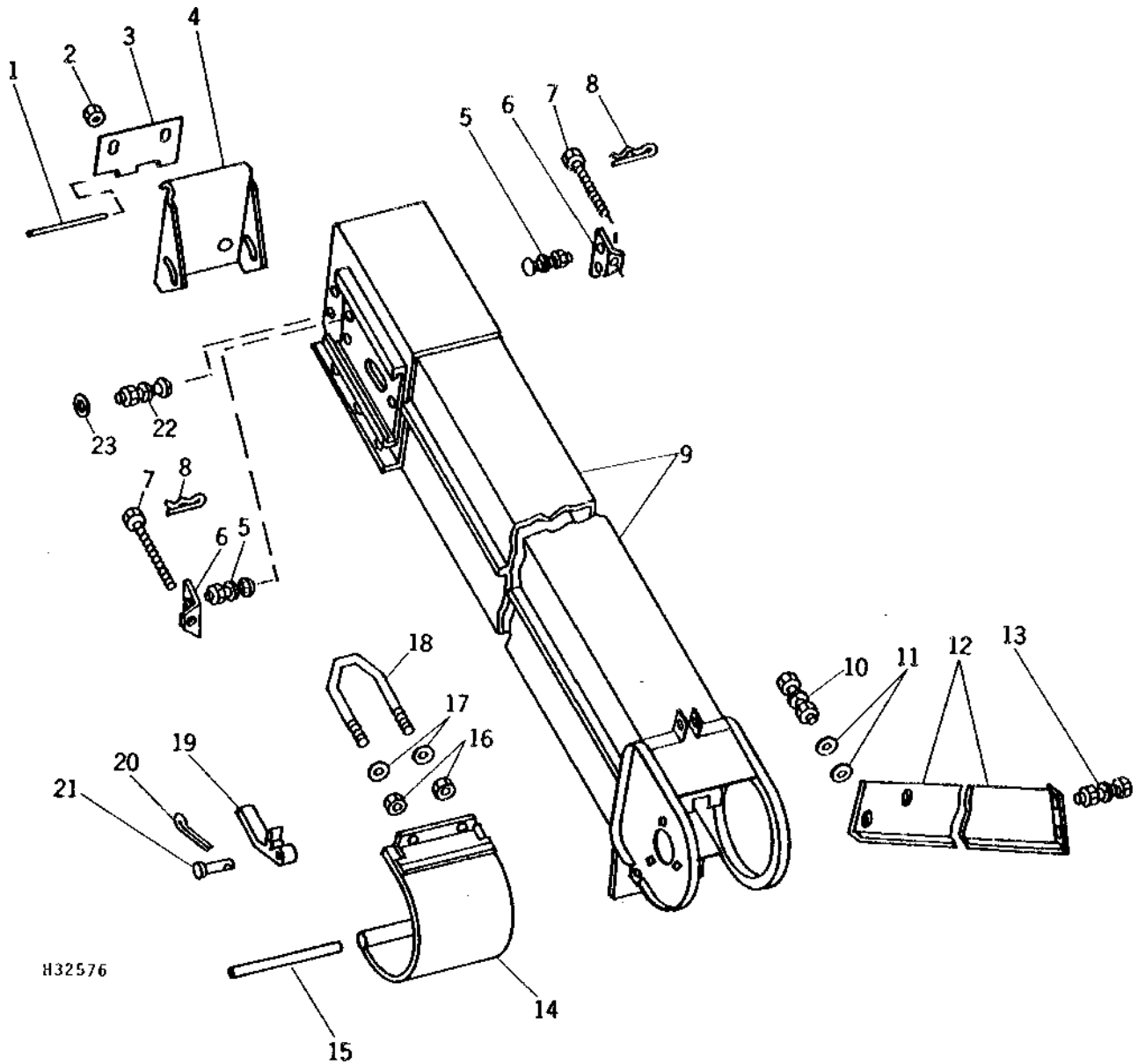
2E20

SEPARATOR

H32576

-UN-01JAN94

TAILINGS ELEVATOR HOUSING
(SERIAL NO. -610600)



H32576

2E21

SEPARATOR

TAILINGS ELEVATOR HOUSING - CONTINUED
(SERIAL NO. -610600)

KEY	PART NO.	PART NAME	QTY	SERIAL NO.	REMARKS
1	P47039	DOWEL PIN	1		
2	N10213	LOCK NUT	2		
3	H102459	HINGE	1		
4	AH102543	DOOR	1		
5	03H1540	BOLT	4		5/16" X 3/4"
	12H303	LOCK WASHER	4		5/16"
	14H785	NUT	4		5/16"
6	H75977	BRACKET	2		
7	H78294	BOLT	2		
8	J16931	SPRING LOCKING PIN	2		
9	AH96371	ELEVATOR	1		HOUSING
10	19H2284	CAP SCREW	2		3/8" X 7/8"
	12H304	LOCK WASHER	2		3/8"
	14H812	NUT	2		3/8"
11	24H1305	WASHER	4		13/32" X 13/16" X 0.065"
12	H75974	SUPPORT	1		
13	19H1944	CAP SCREW	2		3/8" X 2-3/4"
	12H304	LOCK WASHER	2		3/8"
	14H812	NUT	2		3/8"
14	AH12678	DOOR	1		
15	P42406	DOWEL PIN	1		
16	M40699	NUT	2		
17	24H1136	WASHER	2		11/32" X 11/16" X 0.065"
18	H35688	U-BOLT	1		
19	H101297	LEVER	1		
20	11H206	COTTER PIN	1		3/32" X 3/4"
21	RV810A	PIN	1		
22	21H1027	SCREW	2		1/4" X 3/4"
	14H786	NUT	4		1/4"
23	24H1287	WASHER	2		9/32" X 5/8" X 0.065"

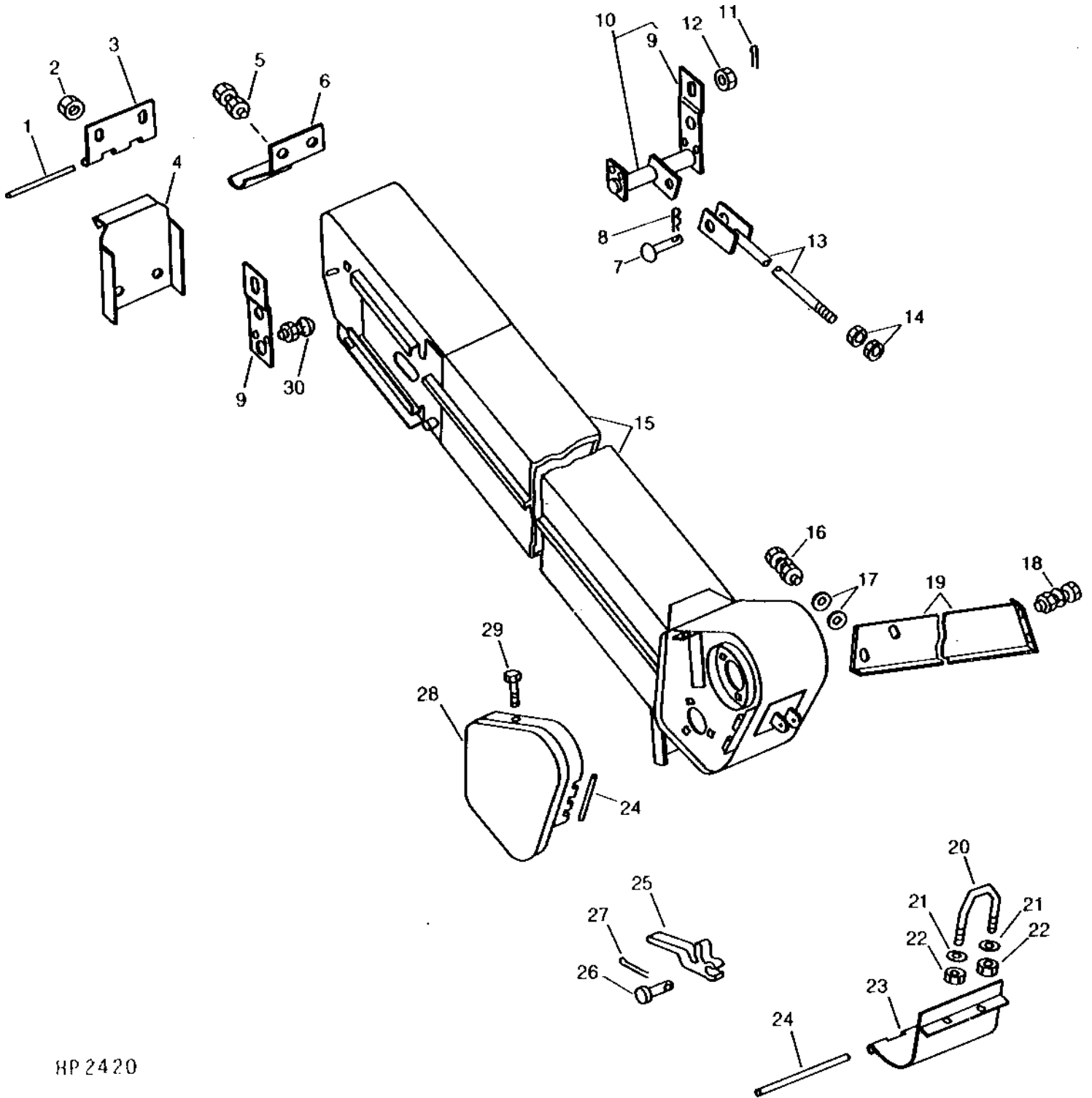
2E22

SEPARATOR

HP2420

-UN-01JAN94

TAILINGS ELEVATOR HOUSING (SERIAL NO. 610601-)



HP 2420

2E23

SEPARATOR

TAILINGS ELEVATOR HOUSING - CONTINUED
(SERIAL NO. 610601-)

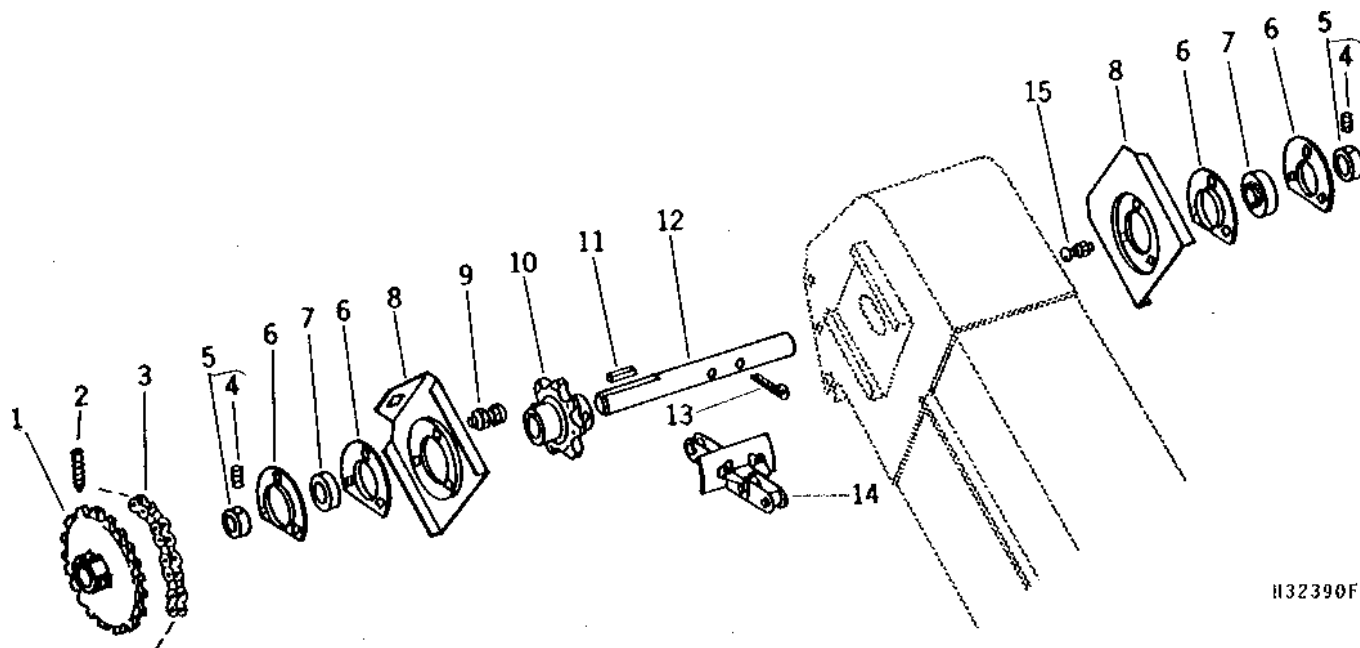
KEY	PART NO.	PART NAME	QTY	SERIAL NO.	REMARKS
1	P42406	DOWEL PIN	1		
2	N10213	LOCK NUT	1		
3	H102466	HINGE	1		
4	AH123367	DOOR	1		
5	19H1227	CAP SCREW	2	1/4" X 1/2"	
	12H302	LOCK WASHER	2	1/4"	
	14H786	NUT	2	1/4"	
6	H123940	HOLD-DOWN CLIP	1		
7	H79676	PIN	1		
8	11H216	COTTER PIN	2	3/16" X 1"	
9	H106315	LEVER	2		
10	AH108935	LEVER	1		
11	11H279	COTTER PIN	2	1/8" X 1-1/2"	
12	24H1454	WASHER	2	1-1/32" X 2" X 0.060"	
13	AH105503	YOKE	1		
14	14H812	NUT	2	3/8"	
15	AH112077	ELEVATOR	1		
16	19H2284	CAP SCREW	2	3/8" X 7/8"	
	12H304	LOCK WASHER	2	3/8"	
	14H812	NUT	2	3/8"	
17	24H1305	WASHER	4	13/32" X 13/16" X 0.065"	
18	19H1944	CAP SCREW	2	3/8" X 2-3/4"	
	12H304	LOCK WASHER	2	3/8"	
	14H812	NUT	2	3/8"	
19	H120167	SUPPORT	1		
20	H35688	U-BOLT	1		
21	24H1136	WASHER	2	11/32" X 11/16" X 0.065"	
22	M40699	NUT	2		
23	AH98029	DOOR	1	(SOLID)	
	AH98030	DOOR	1	(PERFORATED)	
24	H75985	DOWEL PIN	2		
25	H101297	LEVER	1		
26	RV810A	PIN	1	DRILLED	
27	11H206	COTTER PIN	1	3/32" X 3/4"	
28	AH118954	SHIELD	1		
29	N71292	SELF-LOCKING SCREW	1		
30	N10214	SELF-LOCKING SCREW	2		
	N10215	LOCK NUT	2		

2E24

SEPARATOR

TAILINGS ELEVATOR CONVEYOR CHAIN, SPROCKETS, AND BEARINGS (SERIAL NO. -610600)

H32390F -UN-01JAN94



H32390F

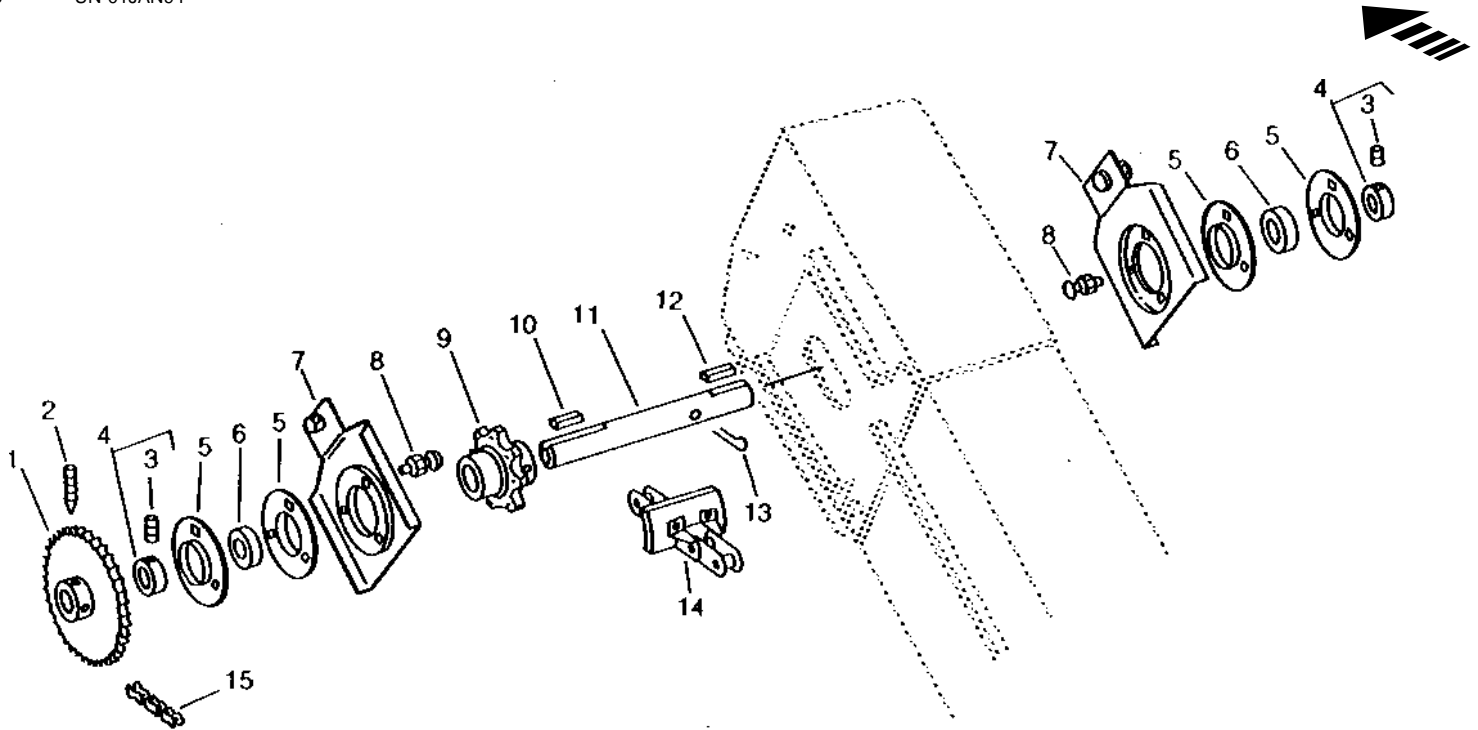
KEY	PART NO.	PART NAME	QTY	SERIAL NO.	REMARKS
1	AH87146	CHAIN SPROCKET	1		26 TEETH
2	22H817	SET SCREW	2		3/8" X 3/4"
	14H732	NUT	2		3/8"
3	LINK CHAIN	1		ROLLER, TYPE 50, 16 MM (5/8") PITCH, 51 LINKS, (ASSEMBLE FROM AP6093H AND P20352)
4	22H897	SET SCREW	2		1/4" X 1/4"
5	JD8554	ECCENTRIC LOCKING COLLAR	2		
6	H87472	PRESSED FLANGED HOUSING	4	-600456	
	H103264	PRESSED FLANGED HOUSING	4	600457-	
7	JD9273	BALL BEARING	2		
8	AH78549	BRACKET	2		
9	03H1540	BOLT	3		5/16" X 3/4"
	12H303	LOCK WASHER	3		5/16"
	14H785	NUT	3		5/16"
10	H63578	CHAIN SPROCKET	1		7 TEETH
11	KEY	1		(1/4" X 1/4" X 1-1/2") (CUT FROM H64374 IN AH64587 KEY STOCK KIT)
12	H75978	SHAFT	1		
13	11H250	COTTER PIN	2		1/4" X 2-1/2"
14	AH96388	LINK CHAIN	1		(CA-550 ROLLER CHAIN) (24 PADDLES)
	C10232	LINK	1		ROLLER
	C10233	CHAIN LINK	1	600001-610000	OFFSET
	AC11779	PIN	1		OFFSET LINK, WITH COTTER PIN
	C10263	TRACK CHAIN W/O SHOES	1		COUPLER
	AC14974	PIN	1		COUPLER LINK, WITH COTTER PIN
	H86759	PADDLE	24		RUBBER
	H63576	LOADER BUCKET	48		
	H86761	PADDLE	1		STEEL CLEANING
	AH86897	BOLT	48		(PADDLE)
	19H1948	CAP SCREW	AR		1/4" X 3/4", (2 USED, STEEL CLEANING PADDLE; 96 USED, BUCKET)
	24H1286	WASHER	96		9/32" X 1/2" X 1/16", (BUCKET)
	14H786	NUT	AR		1/4"
	AH87765	CHAIN LINK	24		
15	03H1539	BOLT	3		5/16" X 5/8"
	12H334	LOCK WASHER	3		5/16"
	14H611	NUT	3		5/16"

2E25

SEPARATOR

TAILINGS ELEVATOR CONVEYOR CHAIN, SPROCKETS AND BEARINGS (SERIAL NO. 610601-)

HP2455 -UN-01JAN94



HP 2455

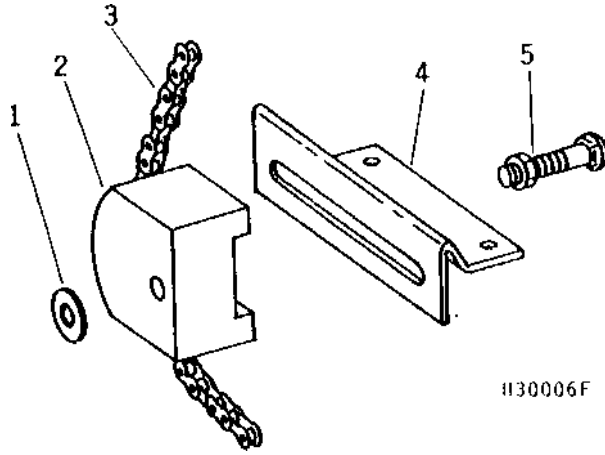
KEY	PART NO.	PART NAME	QTY	SERIAL NO.	REMARKS
1	AH87146	CHAIN SPROCKET	1	26 TEETH	
2	22H836	SET SCREW	2	3/8" X 1"	
	14H732	NUT	2	3/8"	
3	22H897	SET SCREW	2	1/4" X 1/4"	
4	JD8554	ECCENTRIC LOCKING COLLAR	2		
5	H76654	PRESSED FLANGED HOUSING	4		
6	JD9273	BALL BEARING	2		
7	AH112084	BRACKET	2		
8	03H1540	BOLT	6	5/16" X 3/4"	
	12H303	LOCK WASHER	6	5/16"	
	14H785	NUT	6	5/16"	
9	H108576	CHAIN SPROCKET	1	8 TEETH	
10	KEY	1	(1/4" X 1/4" X 1-1/2") (CUT FROM H64374 IN AH64587 KEY STOCK KIT)	
11	H89517	SHAFT	1		
12	P5424H	SHAFT KEY	1		
13	11H244	COTTER PIN	1	3/16" X 2-1/2"	
14	AH98032	LINK CHAIN	1	(CA-550 ROLLER CHAIN) (24 PADDLES)	
	C10232	LINK	1		
	C10233	CHAIN LINK	1		
	AC11779	PIN	1		
	C10263	TRACK CHAIN W/O SHOES	1		
	AC14974	PIN	1		
	H86758	PADDLE	24	(RUBBER)	
	H28550	RIVET	48	(PADDLE)	
	AH87765	CHAIN LINK	24		
15	LINK CHAIN	1		

2F1

SEPARATOR

H30006F -UN-01JAN94

UPPER TAILINGS AUGER DRIVE TIGHTENER



KEY	PART NO.	PART NAME	QTY	SERIAL NO.	REMARKS
1	24H1305	WASHER	1		13/32" X 13/16" X 0.065"
2	H98970	TIGHTENER	1	-514664	(SUB H109736)
	H109736	TIGHTENER	1		
3	LINK CHAIN	1		ROLLER, TYPE 50, 16 MM (5/8") PITCH, 51 LINKS, (ASSEMBLE FROM AP6093H AND P20352)
4	H94277	BRACKET	1		
5	03H1563	BOLT	1		3/8" X 2-1/2"
	12H304	LOCK WASHER	1		3/8"
	14H812	NUT	1		3/8"

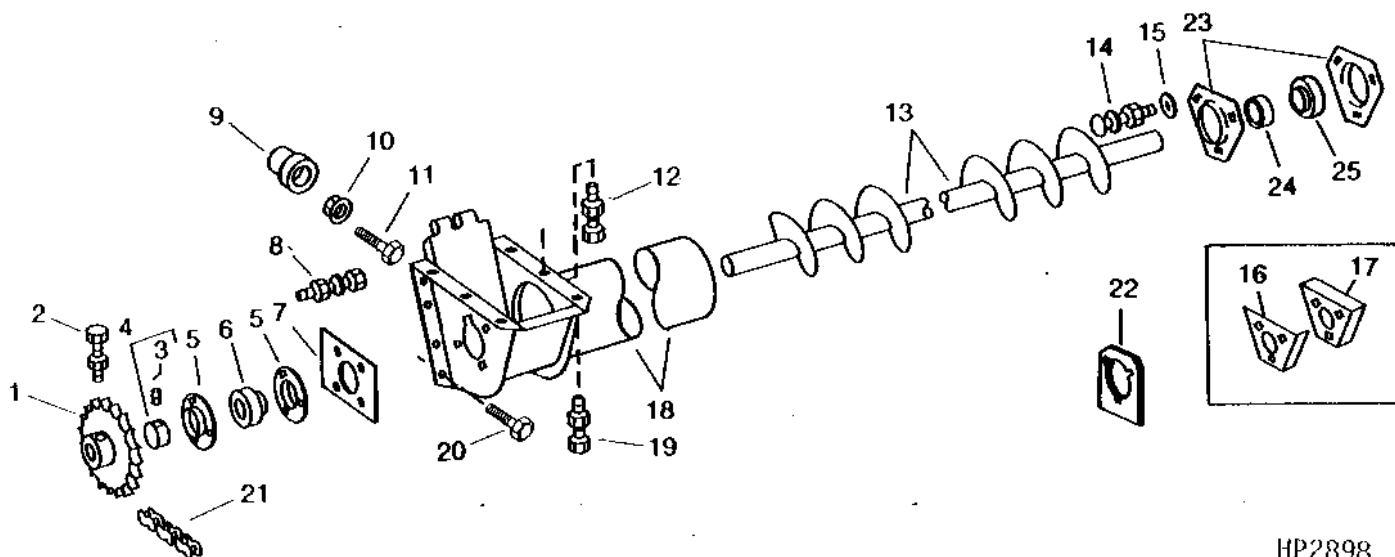
MEMORANDA

2F2

SEPARATOR

HP2898 -UN-01JAN94

UPPER TAILINGS AUGER AND HOUSING



HP2898

KEY	PART NO.	PART NAME	QTY	SERIAL NO.	REMARKS
1	AH93708	CHAIN SPROCKET	1	-610600	22 TEETH
	AH115317	CHAIN SPROCKET	1	610601-	18 TEETH
2	22H817	SET SCREW	2		3/8" X 3/4"
	14H732	NUT	2		3/8"
3	22H897	SET SCREW	1		1/4" X 1/4"
4	JD8563	ECCENTRIC LOCKING COLLAR	1	-610600	
	JD8554	ECCENTRIC LOCKING COLLAR	1	610601-	
5	H87472	PRESSED FLANGED HOUSING	2	-600456	
	H103264	PRESSED FLANGED HOUSING	2	600457-610600	
	H76654	PRESSED FLANGED HOUSING	2	610601-	
6	JD8562	BALL BEARING	1	-610600	
	JD9273	BALL BEARING	1	610601-	
7	H28563	PLATE	1		
8	03H1540	BOLT	3		5/16" X 3/4"
	12H303	LOCK WASHER	3		5/16"
	14H785	NUT	3		5/16"
9	AH98873	ISOLATOR	2		
10	A22698	NUT	1	414101-	
11	19H1732	CAP SCREW	1	-414100	3/8" X 1-1/4"
	19H1875	CAP SCREW	1	414101-610600	5/16" X 1-3/4"
	19H1732	CAP SCREW	1	610101-	3/8" X 1-1/4"
12	N71292	SELF-LOCKING SCREW	1		
	N10213	LOCK NUT	1		

2F3

SEPARATOR

UPPER TAILINGS AUGER AND HOUSING - CONTINUED

KEY	PART NO.	PART NAME	QTY	SERIAL NO.	REMARKS
13	AH75436	AUGER	1	-610600	
	AH117425	FLIGHT	1	610601-620300	(SUB AH127651)
	AH127651	FLIGHT	1	620301-	
14	03H1549	BOLT	3	-620300	5/16" X 2-1/4"
	03H1709	BOLT	3	620301-	5/16" X 1"
	14H785	NUT	6		5/16"
	14H785	NUT	6		5/16"
15	24H1136	WASHER	3		
16	H83787	PLATE	1	-620300	(SUB H134054)
17	H83788	BEARING	1	-610600	
	H99480	BEARING	1	-620300	(WOOD) (SUB H134054)
18	AH123372	SPOUT	1	-610600	(SUB FOR AH102397)
	AH123370	SPOUT	1	610601-	
19	19H1900	CAP SCREW	4		5/16" X 3/4"
	N10213	LOCK NUT	4		
20	19H1732	CAP SCREW	1		3/8" X 1-1/4"
21	LINK CHAIN	1	-610601	ROLLER, TYPE 50, 16 MM (5/8") PITCH, 51 LINKS, (ASSEMBLE FROM AP6093H AND P20352)
22	H134054	PLATE	1	620301-	BEARING SPACER (USE WITH (1) JD8554, (1) JD8665, (2) H103264 AND (1) 03H1937 INSTEAD OF H83787 AND H99480 WHEN USED FOR SERVICE FOR AH117425)
23	H103264	PRESSED FLANGED HOUSING	1	620301-	
24	JD8554	ECCENTRIC LOCKING COLLAR	1	620301-	
25	JD8665	BALL BEARING	1	620301-	

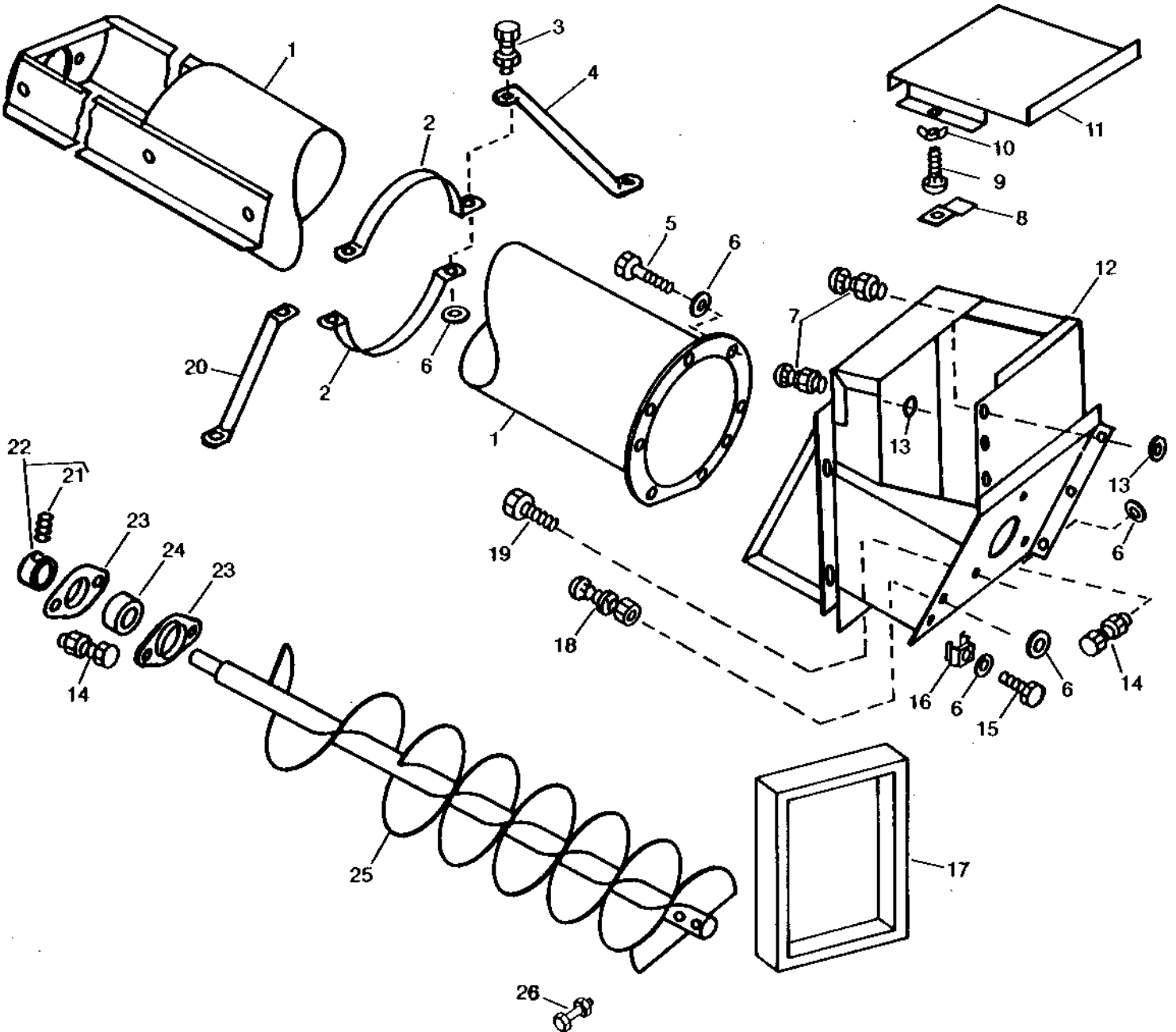
2F4

SEPARATOR

HP2290

-UN-01JAN94

LOADING AUGER AND HOUSING



HP2290

2F5

SEPARATOR

LOADING AUGER AND HOUSING - CONTINUED

KEY	PART NO.	PART NAME	QTY	SERIAL NO.	REMARKS
1	AH98300	HOUSING	1		
2	H98146	CLAMP	2		
3	19H1905	CAP SCREW	4		5/16" X 1"
	12H303	LOCK WASHER	4		5/16"
	14H785	NUT	4		5/16"
4	H97783	PIPE	1		REAR BRACE
5	H65108	SCREW	8		SELF-TAPPING
6	24H1136	WASHER	14		11/32" X 11/16" X 0.065"
7	03H2119	BOLT	6		1/4" X 5/8"
	12H302	LOCK WASHER	6		1/4"
	14H786	NUT	6		1/4"
8	P47159	CLAMP	1		
9	03H1524	BOLT	1		5/16" X 1"
10	14H819	WING NUT	1		5/16"
11	H93420	DOOR	1		
12	AH97856	SPOUT	1		
13	24H1287	WASHER	6		9/32" X 5/8" X 0.065"
14	19H1900	CAP SCREW	5		5/16" X 3/4"
	12H303	LOCK WASHER	5		5/16"
	14H785	NUT	5		5/16"
15	19H1905	CAP SCREW	8		5/16" X 1"
	12H303	LOCK WASHER	8		5/16"
16	M41139	NUT	8		
17	SEAL	1		(CUT FROM H81330)
18	03H1709	BOLT	2		5/16" X 1"
	12H303	LOCK WASHER	2		5/16"
	14H785	NUT	2		5/16"
19	19H2284	CAP SCREW	3		3/8" X 7/8"
	12H304	LOCK WASHER	3		3/8"
20	H97782	PIPE	1		FRONT BRACE
21	22H897	SET SCREW	1		1/4" X 1/4"
22	JD8554	ECCENTRIC LOCKING COLLAR	1		
23	P44439	PRESSED FLANGED HOUSING	2		
24	JD9273	BALL BEARING	1		
25	AH98301	AUGER	1	-463600	(SUB AH107941)
	AH107941	AUGER	1	-600000	(SUB AH114901)
	AH114901	AUGER	1	-620721	(SUB AH127729)
	AH127729	AUGER	1	620722-	
26	19H3131	CAP SCREW	2	-620300	5/16" X 2", (SUB 19H3636, THIS APPLICATION)
	19H3636	CAP SCREW	2	-620721	5/16" X 2-1/2"
	19H1733	CAP SCREW	2	620722-	3/8" X 2-1/2"
	12H303	LOCK WASHER	2		5/16"
	14H785	NUT	2	-620721	5/16"
	H99923	LOCK NUT	2	620722-	

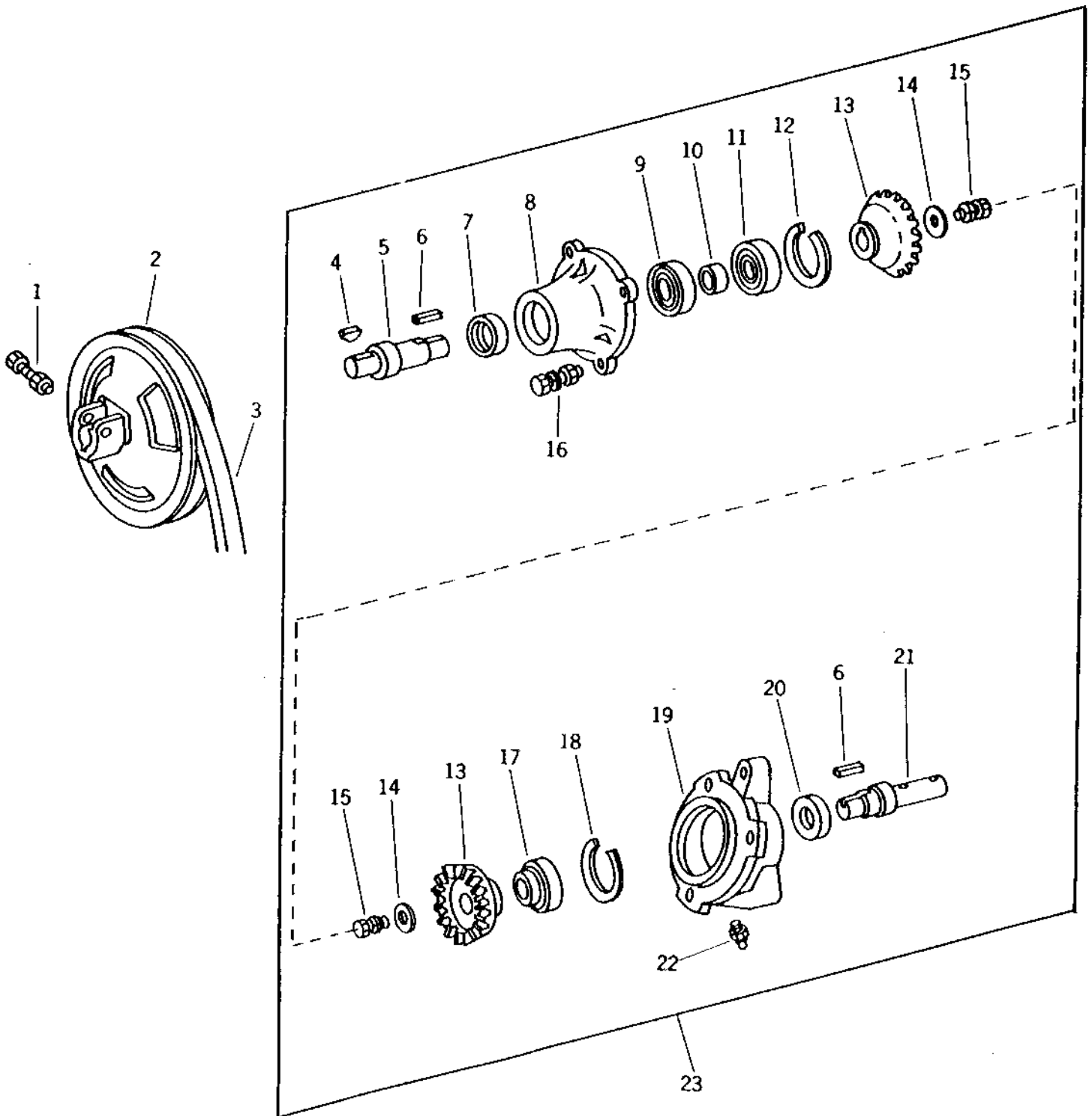
2F6

SEPARATOR

H29982F

-UN-01JAN94

LOADING AUGER GEAR CASE AND SHEAVE



H29982F

2F7

SEPARATOR

LOADING AUGER GEAR CASE AND SHEAVE - CONTINUED

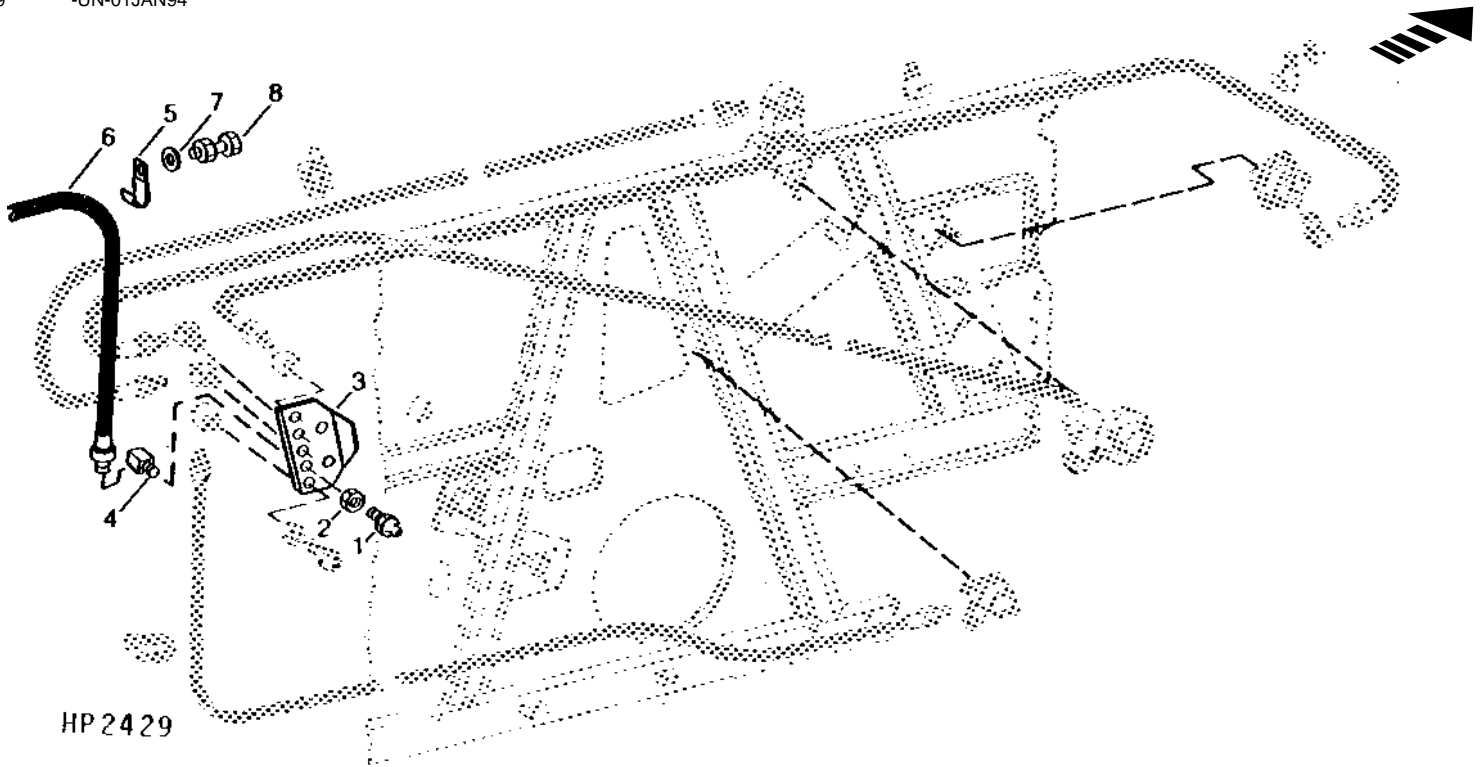
KEY	PART NO.	PART NAME	QTY	SERIAL NO.	REMARKS
1	19H1726	CAP SCREW	1		3/8" X 2-1/4"
	12H304	LOCK WASHER	1		3/8"
	14H812	NUT	1		3/8"
2	H89084	HALF SHEAVE	1		267 MM (10-1/2") DIA.
3	H77766	BELT	1		
4	26H22	SHAFT KEY	1		1/4" X 1"
5	H94703	SHAFT	1		
6	KEY	2		(1/4" X 1/4" X 3/4") (CUT FROM H64374 IN AH64587 KEY STOCK KIT)
7	AH21815	SEAL	1		
8	H86914	HOUSING	1		OUTER
9	JD7681	BALL BEARING	1		
10	J17823	BUSHING	1		
11	JD7689	BALL BEARING	1		
12	P46874	SNAP RING	1		
13	H86912	GEAR	2		17 TEETH
14	24H1312	WASHER	2		13/32" X 1-3/8" X 0.105"
15	19H2676	CAP SCREW	2		3/8" X 1"
	12H304	LOCK WASHER	2		3/8"
16	19H1801	CAP SCREW	3		3/8" X 2"
	12H304	LOCK WASHER	3		3/8"
	14H812	NUT	3		3/8"
17	AH88893	BALL BEARING	1		
18	P42232	SNAP RING	1		
19	H86913	HOUSING	1		INNER
20	M2848DN	WASHER	1		
21	H94702	SHAFT	1	-620721	(SUB H132607)
	H132607	SHAFT	1	620722-	
22	JD7759	LUBRICATION FITTING	1		STRAIGHT, 1/8"
23	AH96760	GEAR CASE	1	-620721	(SUB AH129277)
	AH129277	GEAR CASE	1	620722-	

2F8

SEPARATOR

GRAIN TANK LOADING AUGER GEAR CASE
LUBE BANK SYSTEM (RIGHT-HAND SIDE)
(SERIAL NO. 610601-)

HP2429 -UN-01JAN94



KEY	PART NO.	PART NAME	QTY	SERIAL NO.	REMARKS
1	JD7797	LUBRICATION FITTING	1		
2	E12379	NUT	1		STRAIGHT, 1/4"
3	H101262	SUPPORT	1		
4	E12378	ELBOW FITTING	1		
5	AH89557	CLIP	2		
6	H98306	HOSE	1	-615300	(SUB H111472)
	H111472	HOSE	1		
7	14H732	NUT	1		3/8"

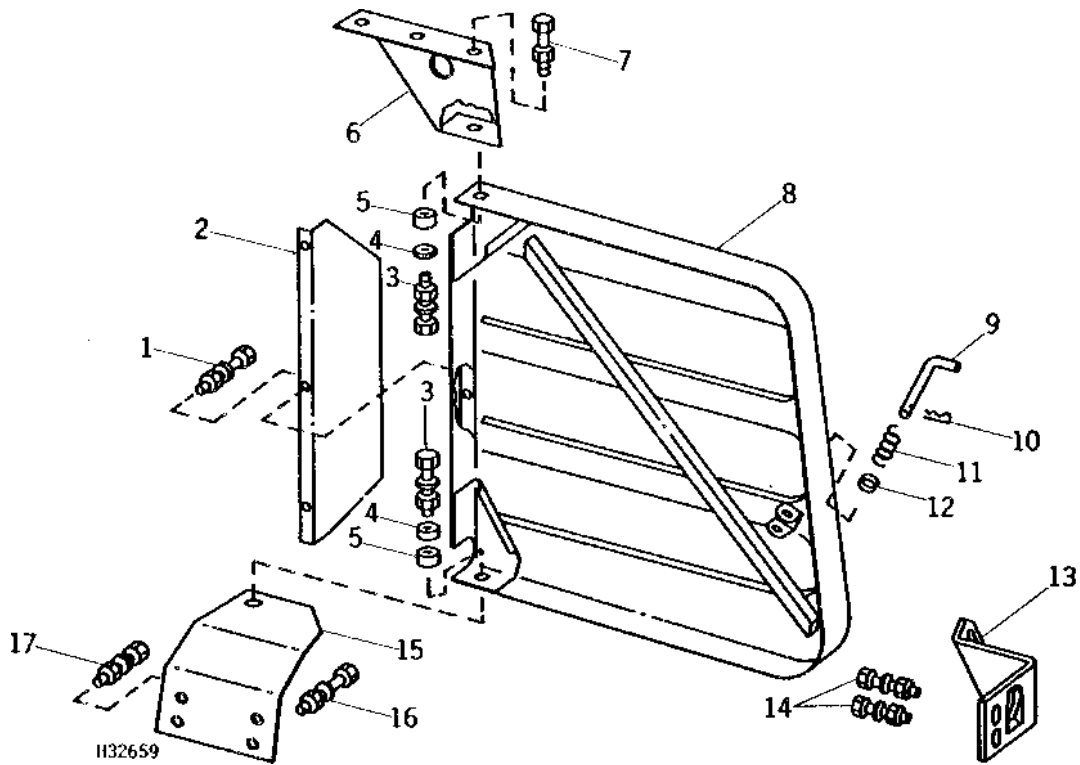
2F9

SEPARATOR

SEPARATOR REAR SHIELD (RIGHT-HAND) (SERIAL NO. -562900)

H32659

-UN-01JAN94



KEY	PART NO.	PART NAME	QTY	SERIAL NO.	REMARKS
1	19H1905	CAP SCREW	3	5/16" X 1"	
	12H303	LOCK WASHER	3	5/16"	
	14H785	NUT	3	5/16"	
2	H95223	SHIELD	1	EXTENSION	
3	19H1731	CAP SCREW	2	3/8" X 1"	
	12H304	LOCK WASHER	2	3/8"	
	14H812	NUT	2	3/8"	
4	24H1305	WASHER	2	13/32" X 13/16" X 0.065"	
5	28H1517	WASHER	2	0.493" X 0.675" X 1/4"	
6	H93057	BRACKET	1	SHIELD, UPPER	
7	19H2127	CAP SCREW	3	5/16" X 7/8"	
	12H303	LOCK WASHER	3	5/16"	
	14H785	NUT	3	5/16"	
8	AH92438	SHIELD	1		
9	H78557	PIN	1		
10	11H211	COTTER PIN	1	1/8" X 3/4"	
11	HZ5621H	SPRING	1		
12	24H1305	WASHER	1	13/32" X 13/16" X 0.065"	
13	AH94811	SUPPORT	1		
14	19H1907	CAP SCREW	2	5/16" X 2-3/4"	
	12H303	LOCK WASHER	2	5/16"	
	14H785	NUT	2	5/16"	
15	H93058	BRACKET	1	SHIELD, LOWER	
16	19H1820	CAP SCREW	1	1/2" X 3"	
	12H301	LOCK WASHER	1	1/2"	
	14H1040	NUT	1	1/2"	
	19H1945	CAP SCREW	3	1/2" X 3-1/4"	
17	12H301	LOCK WASHER	3	1/2"	
	14H1040	NUT	3	1/2"	

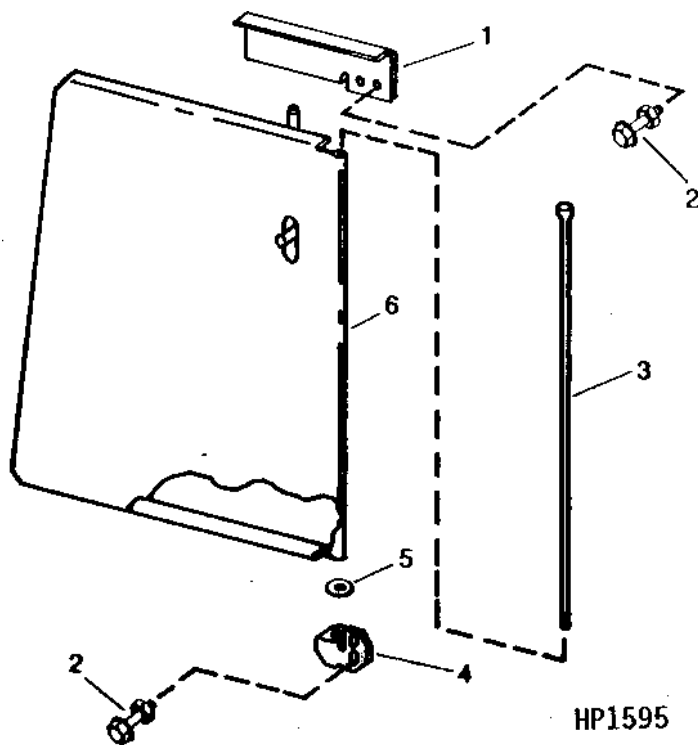
MEMORANDA

2F10

SEPARATOR

HP1595 -UN-01JAN94

SEPARATOR RIGHT-HAND SHIELD (SERIAL NO. 562901-)



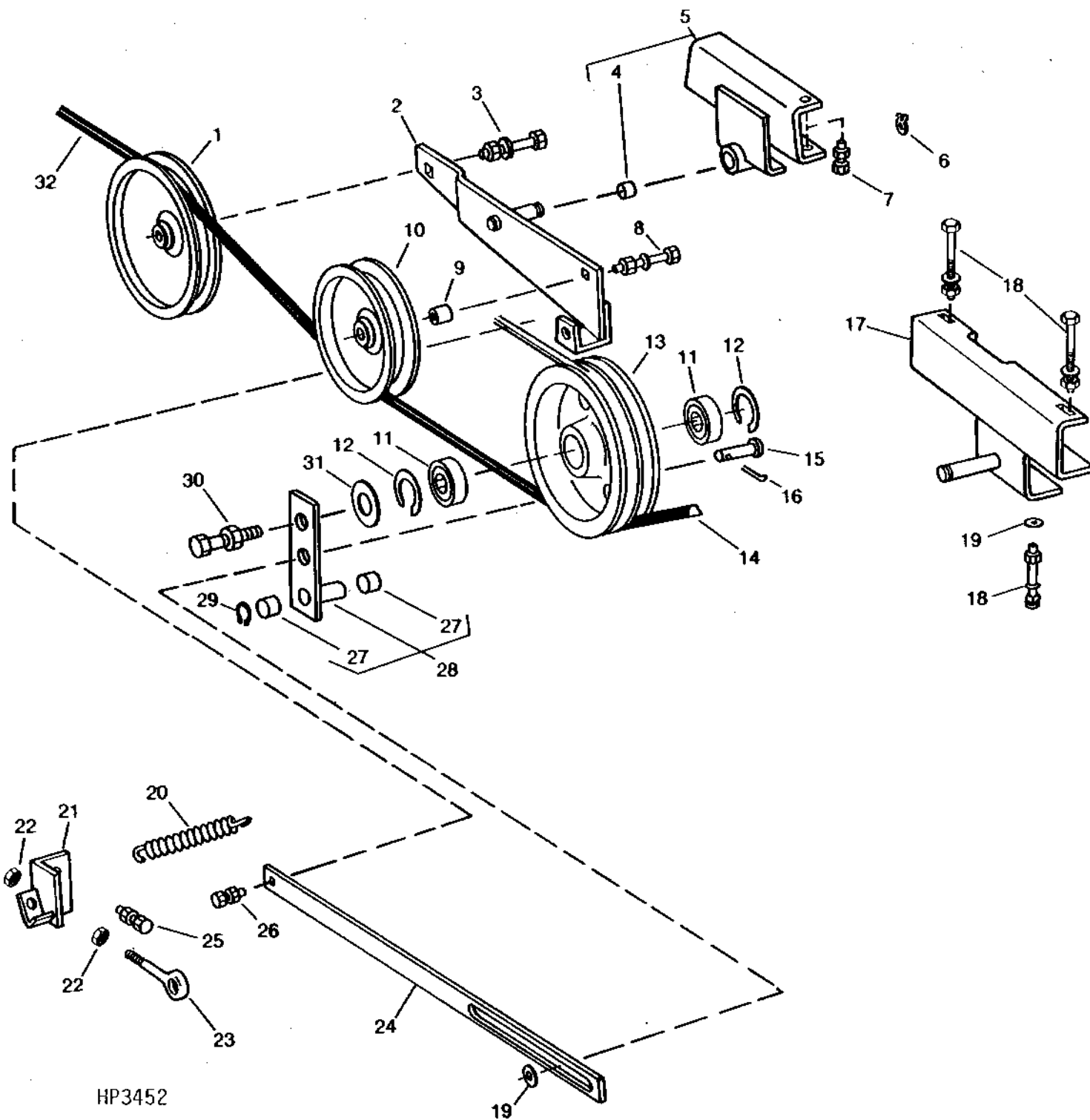
KEY	PART NO.	PART NAME	QTY	SERIAL NO.	REMARKS
1	H113803	BRACKET	1		
2	N10212	SELF-LOCKING SCREW	4		
	14H785	NUT	4	5/16"	
3	H100746	ROD	1		
4	H113804	BRACKET	1		
5	24H1136	WASHER	1	11/32" X 11/16" X 0.065"	
6	AH111411	SHIELD	1		

2F11

SEPARATOR

HP3452 -UN-01JAN94

STRAW CHOPPER DRIVE IDLER AND TIGHTENER



2F12

SEPARATOR

STRAW CHOPPER DRIVE IDLER AND TIGHTENER - CONTINUED

KEY	PART NO.	PART NAME	QTY	SERIAL NO.	REMARKS
1	AH97031	IDLER	1		222 MM (8-3/4") DIA.
2	AH95969	ARM	1		IDLER
3	03H1604	BOLT	1		5/8" X 2"
	12H294	LOCK WASHER	1		5/8"
	14H1039	NUT	1		5/8"
4	H98654	BUSHING	1		
5	AH95967	SUPPORT	1		IDLER, WITH BEARINGS
6	R26223	SNAP RING	AR		
7	03H1709	BOLT	3		5/16" X 1"
	12H303	LOCK WASHER	3		5/16"
	14H785	NUT	3		5/16"
8	03H1628	BOLT	1		5/8" X 2-1/2"
	12H294	LOCK WASHER	1		5/8"
	14H1039	NUT	1		5/8"
9	28H2515	BUSHING	1		3/4" X 3/4"
10	AN15237	IDLER	1		202 MM (7-15/16") DIA.
11	JD8662	BALL BEARING	2		
12	J13683	SNAP RING	2		
13	H91834	SHEAVE	1		
14	H101436	BELT	1		
15	H4211H	PIN	1		
16	11H211	COTTER PIN	1		1/8" X 3/4"
17	AH96321	PIVOT	1		
18	03H1500	BOLT	4		3/8" X 1"
	12H304	LOCK WASHER	4		3/8"
	14H812	NUT	4		3/8"
19	24H1305	WASHER	4		13/32" X 13/16" X 0.065"
20	H86646	SPRING	1		
21	AH94811	SUPPORT	1		
22	14H1040	NUT	2		1/2"
23	N13359	EYEBOLT	1		
24	H97420	STRAP	1		
25	19H1907	CAP SCREW	2		5/16" X 2-3/4"
	12H303	LOCK WASHER	2		5/16"
	14H785	NUT	2		5/16"
26	19H1731	CAP SCREW	1		3/8" X 1"
	H99923	LOCK NUT	1		
27	H98655	BUSHING	2		
28	AH91676	ARM	1		
29	P46614	SNAP RING	1		
30	19H2279	CAP SCREW	1		7/8" X 4-1/2"
	U14554	LOCK NUT	1		
31	24H1429	WASHER	1		29/32" X 1-3/4" X 0.194"
32	H92080	BELT	1	-414100	(SUB H103344)
	H103344	BELT	1		

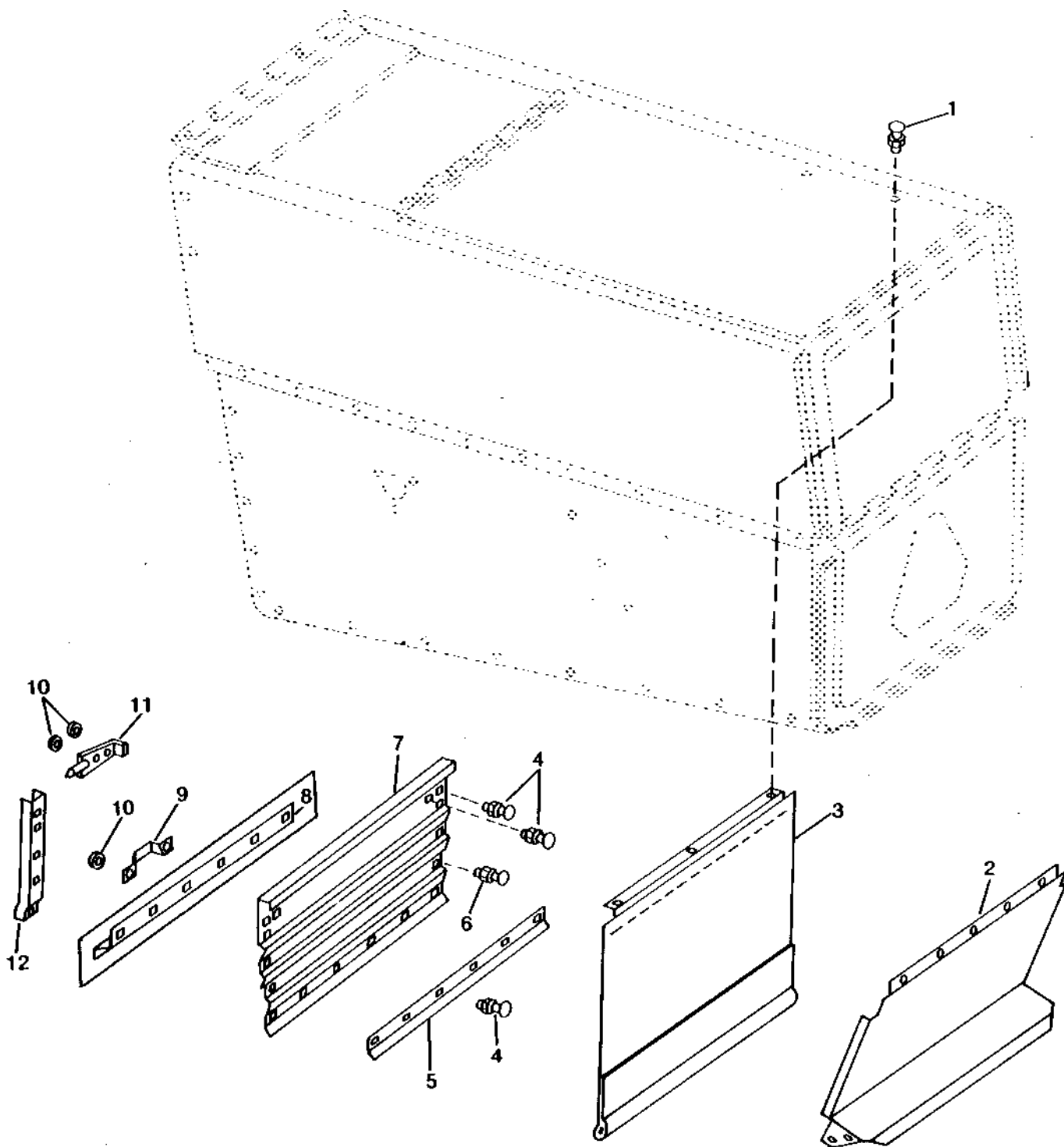
2F13

SEPARATOR

HP1863

-UN-01JAN94

STRAW CHOPPER CURTAIN (CORN)



HP1863

2F14

SEPARATOR

STRAW CHOPPER CURTAIN (CORN) - CONTINUED

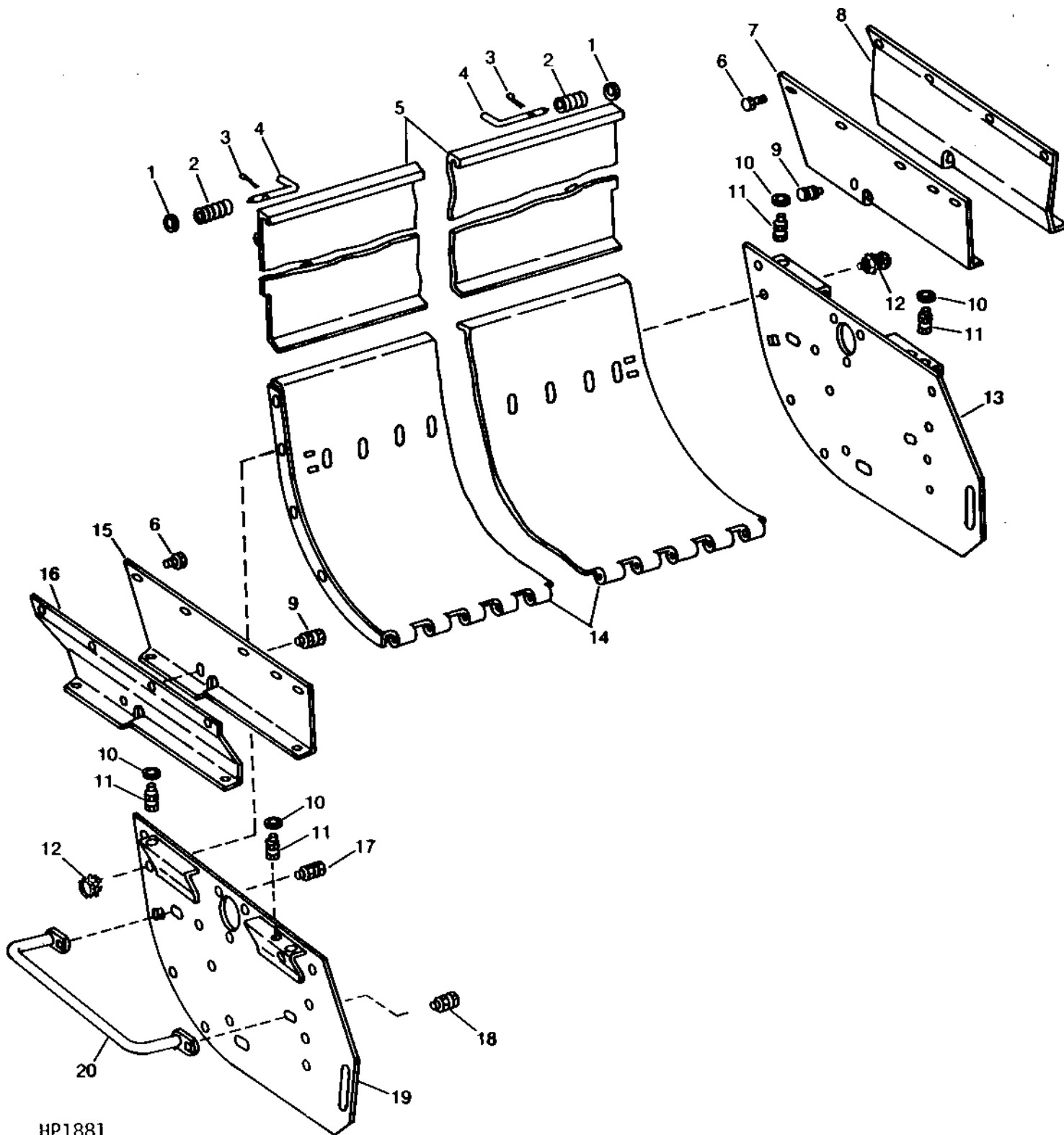
KEY	PART NO.	PART NAME	QTY	SERIAL NO.	REMARKS
1	H76139	SCREW	4		SELF-TAPPING
	12H303	LOCK WASHER	4		5/16"
	14H785	NUT	4		5/16"
2	H99508	ISOLATOR	1		
3	AH98050	SUPPORT	1	-463600	(SUB AH108376)
	AH108376	SUPPORT	1	-562900	(USE WITH AH108350)
4	AH111432	SUPPORT	1	562901-	
	03H1500	BOLT	12		3/8" X 1"
	12H304	LOCK WASHER	12		3/8"
	14H812	NUT	12		3/8"
5	H85188	REINFORCEMENT	1	-562900	(SUB H122671)
	H112671	REINFORCEMENT	1		
6	03H1765	BOLT	8		3/8" X 3/4"
	12H304	LOCK WASHER	8		3/8"
	14H812	NUT	8		3/8"
7	H85154	EXTENSION	1	-562900	(SUB H112674)
	H112674	EXTENSION	1		
8	H85155	REINFORCEMENT	1	-562900	
9	H85184	HANDLE	2		
10	24H1305	WASHER	8		13/32" X 13/16" X 0.065"
11	AH86590	BRACKET	1		R.H.
	AH86591	BRACKET	1		L.H.
12	H85162	BRACKET	2	-562900	(SUB H112672)
	H112672	BRACKET	2	562901-	

2F15

SEPARATOR

HP1881 -UN-01JAN94

STRAW CHOPPER HOUSING
(SERIAL NO. -562900)



HP1881

2F16

SEPARATOR

STRAW CHOPPER HOUSING - CONTINUED
(SERIAL NO. -562900)

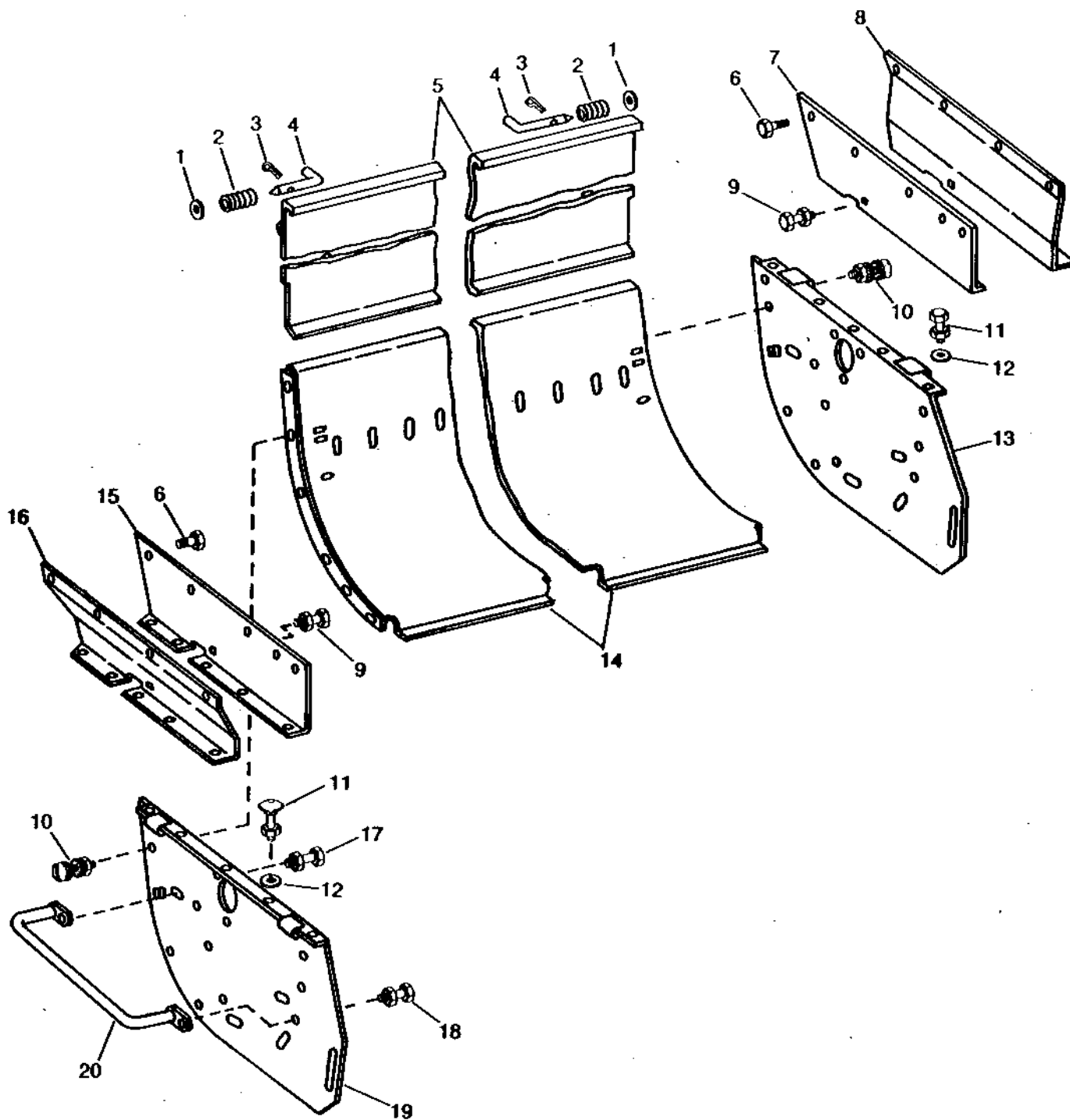
KEY	PART NO.	PART NAME	QTY	SERIAL NO.	REMARKS
1	24H1338	WASHER	2		33/64" X 7/8" X 0.048"
2	T12274	SPRING	2		
3	34H43	SPRING PIN	2		1/8" X 7/8"
4	H85156	PIN	2		
5	AH85665	EXTENSION	1		
6	N71292	SELF-LOCKING SCREW	10		
7	H85174	HANGER	1		R.H., INNER
8	AH92251	SUPPORT	1		R.H., OUTER
9	03H1774	BOLT	2		5/16" X 5/8"
	12H303	LOCK WASHER	2		5/16"
	14H785	NUT	2		5/16"
10	24H1305	WASHER	8	-463600	13/32" X 13/16" X 0.065"
	24H1305	WASHER	6	463601-	13/32" X 13/16" X 0.065"
11	19H1731	CAP SCREW	4		3/8" X 1"
	12H304	LOCK WASHER	4		3/8"
	14H812	NUT	4		3/8"
12	N10212	SELF-LOCKING SCREW	6		
	N10213	LOCK NUT	6		
13	AH99306	SHEET	1	-562900	(SUB AH112162, AH111646 AND H113983 OR BH77683)
14	H88803	SHEET	1	-562900	(SUB H113077) (ALSO REPLACES H85006 AND H76221)
15	H85175	HANGER	1		L.H., INNER
16	AH92252	HANGER	1		L.H., OUTER
17	03H1500	BOLT	2		3/8" X 1"
	12H304	LOCK WASHER	2	-463600	3/8"
	14H812	NUT	2	-463600	3/8", (SUB N10215, THIS APPLICATION)
	N10215	LOCK NUT	2		
18	03H1557	BOLT	2		3/8" X 1-1/4"
	12H304	LOCK WASHER	2	-463600	3/8"
	14H812	NUT	2	-463600	3/8", (SUB N10215, THIS APPLICATION)
	N10215	LOCK NUT	2		
19	AH99307	SHEET	1	-562900	(SUB AH112163, AH111647 AND H113984 OR BH77683)
20	AH94598	HANDLE	2		

2F17

SEPARATOR

HP1876 -UN-01JAN94

STRAW CHOPPER HOUSING
(SERIAL NO. 562901-)



HP1876

2F18

SEPARATOR

STRAW CHOPPER HOUSING - CONTINUED
(SERIAL NO. 562901-)

KEY	PART NO.	PART NAME	QTY	SERIAL NO.	REMARKS
1	24H1338	WASHER	2		33/64" X 7/8" X 0.048"
2	T12274	SPRING	2		
3	34H43	SPRING PIN	2		1/8" X 7/8"
4	H85156	PIN	2		
5	AH85665	EXTENSION	1		
6	N71292	SELF-LOCKING SCREW	10		
7	H113983	HANGER	1		R.H. INNER
8	AH111646	HANGER	1		R.H. OUTER
9	03H1774	BOLT	2		5/16" X 5/8"
	12H304	LOCK WASHER	2		3/8"
	14H812	NUT	2		3/8"
10	N10212	SELF-LOCKING SCREW	10		
	N10213	LOCK NUT	10		
11	03H1557	BOLT	10		3/8" X 1-1/4"
	12H304	LOCK WASHER	10		3/8"
	14H812	NUT	10		3/8"
12	24H1305	WASHER	10		13/32" X 13/16" X 0.065"
13	AH112162	SHEET	1	-615300	(SUB AH112271)
	AH112271	SHEET	1		R.H.
14	H113077	SHEET	1	562919-	BOTTOM (REPLACES H88803, H85006 AND H76221)
15	H113984	HANGER	1		L.H. INNER
16	AH111647	HANGER	1		L.H. OUTER
17	03H1500	BOLT	2		3/8" X 1"
	N10215	LOCK NUT	2		
18	03H1557	BOLT	2		3/8" X 1-1/4"
	N10215	LOCK NUT	2		
19	AH112163	SHEET	1	-615300	(SUB AH112272)
	AH112272	SHEET	1		L.H.
20	AH94598	HANDLE	2		

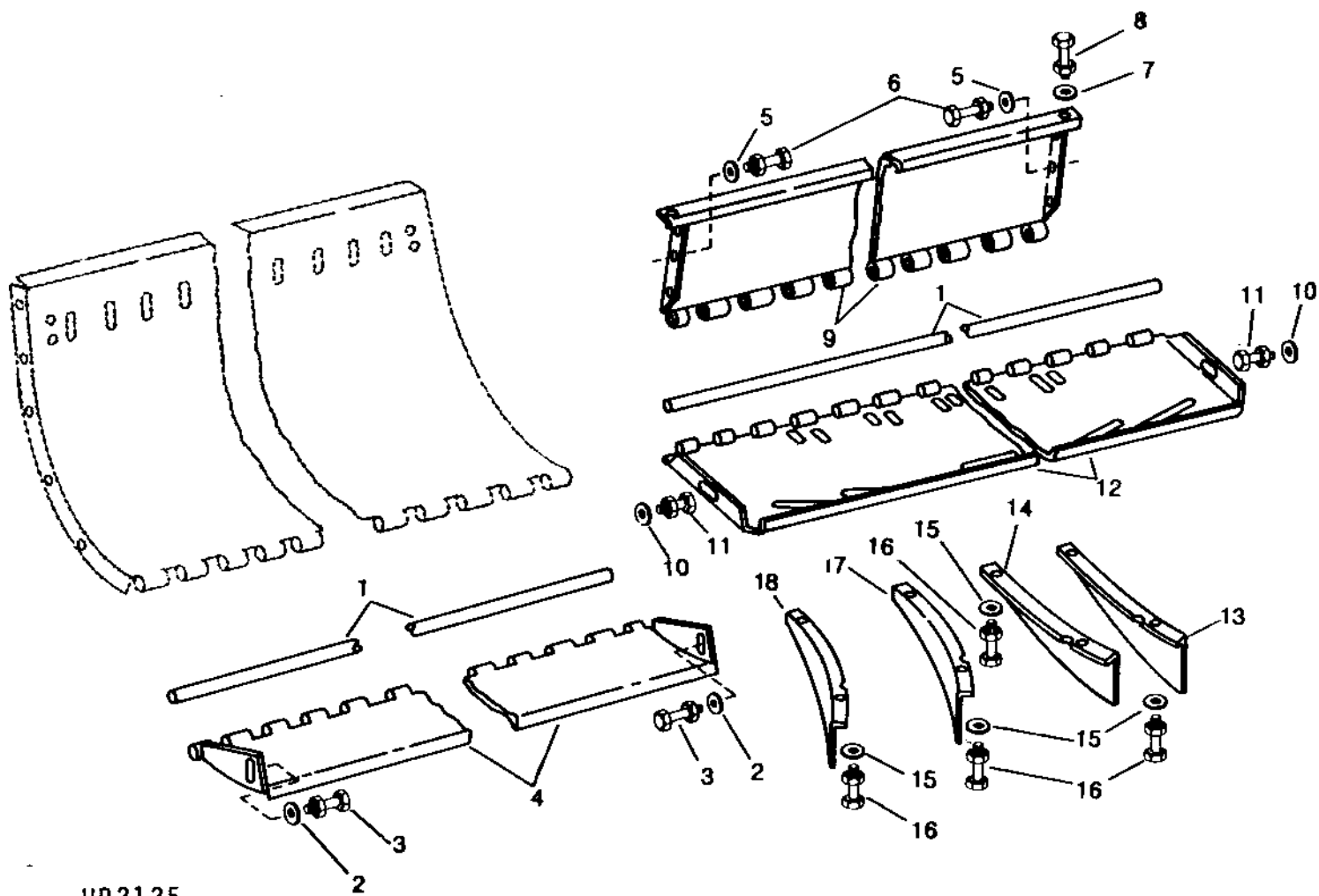
2F19

SEPARATOR

HP2125

-UN-01JAN94

STRAW CHOPPER PLATE AND FINS
(SERIAL NO. -562900)



HP2125

2F20

SEPARATOR

STRAW CHOPPER PLATE AND FINS - CONTINUED
(SERIAL NO. -562900)

KEY	PART NO.	PART NAME	QTY	SERIAL NO.	REMARKS
1	H76221	PIN	2		
2	24H1136	WASHER	2		11/32" X 11/16" X 0.065"
3	03H1540	BOLT	2		5/16" X 3/4"
	12H303	LOCK WASHER	2		5/16"
	14H785	NUT	2		5/16"
4	H85006	ISOLATOR	1		
5	24H1136	WASHER	4		11/32" X 11/16" X 0.065"
6	19H1900	CAP SCREW	4		5/16" X 3/4"
	12H303	LOCK WASHER	4		5/16"
	14H785	NUT	4		5/16"
7	24H1305	WASHER	2		13/32" X 13/16" X 0.065"
8	19H2284	CAP SCREW	4		3/8" X 7/8"
	12H304	LOCK WASHER	4		3/8"
	14H812	NUT	4		3/8"
9	H88822	SHEET	1		REAR
10	24H1219	WASHER	2		7/16" X 1" X 0.083"
11	03H1463	BOLT	2		3/8" X 3/4"
	12H304	LOCK WASHER	2		3/8"
	14H812	NUT	2		3/8"
12	H88790	PLATE	1		UPPER
13	H85013	DEFLECTOR	2		R.H. OUTER
14	H84983	DEFLECTOR	2		R.H. INNER
15	24H1136	WASHER	16	-463600	11/32" X 11/16" X 0.065"
16	21H1029	SCREW	16		5/16" X 3/4"
	12H303	LOCK WASHER	16	-463600	5/16"
	14H785	NUT	16	-463600	5/16", (SUB N10213, THIS APPLICATION)
	N10213	LOCK NUT	16		
17	H84984	DEFLECTOR	2		L.H. INNER
18	H85014	DEFLECTOR	2		L.H. OUTER

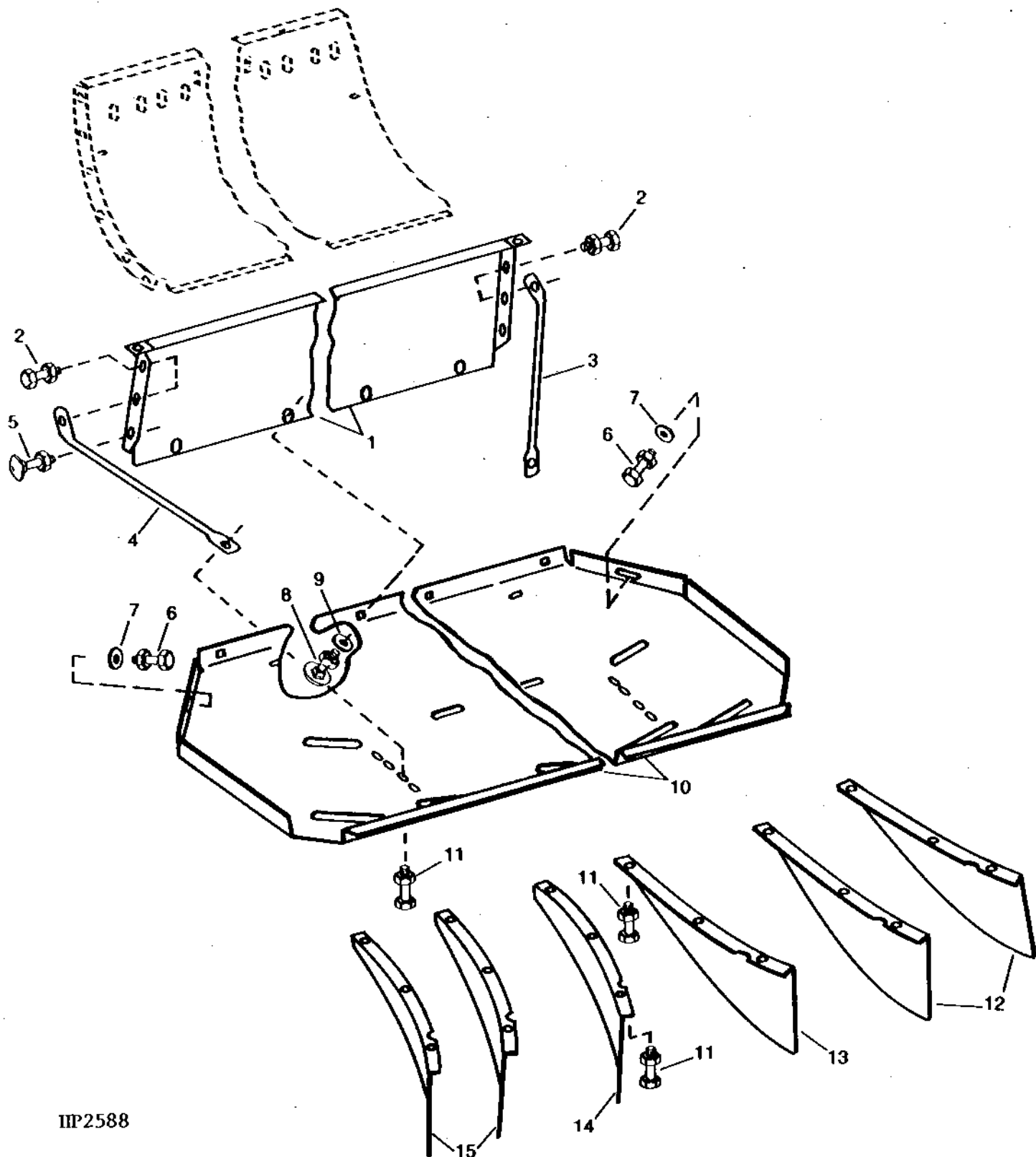
2F21

SEPARATOR

HP2588

-UN-01JAN94

STRAW CHOPPER PLATE AND FINS (SERIAL NO. 562901-)



HP2588

2F22

SEPARATOR

STRAW CHOPPER PLATE AND FINS - CONTINUED
(SERIAL NO. 562901-)

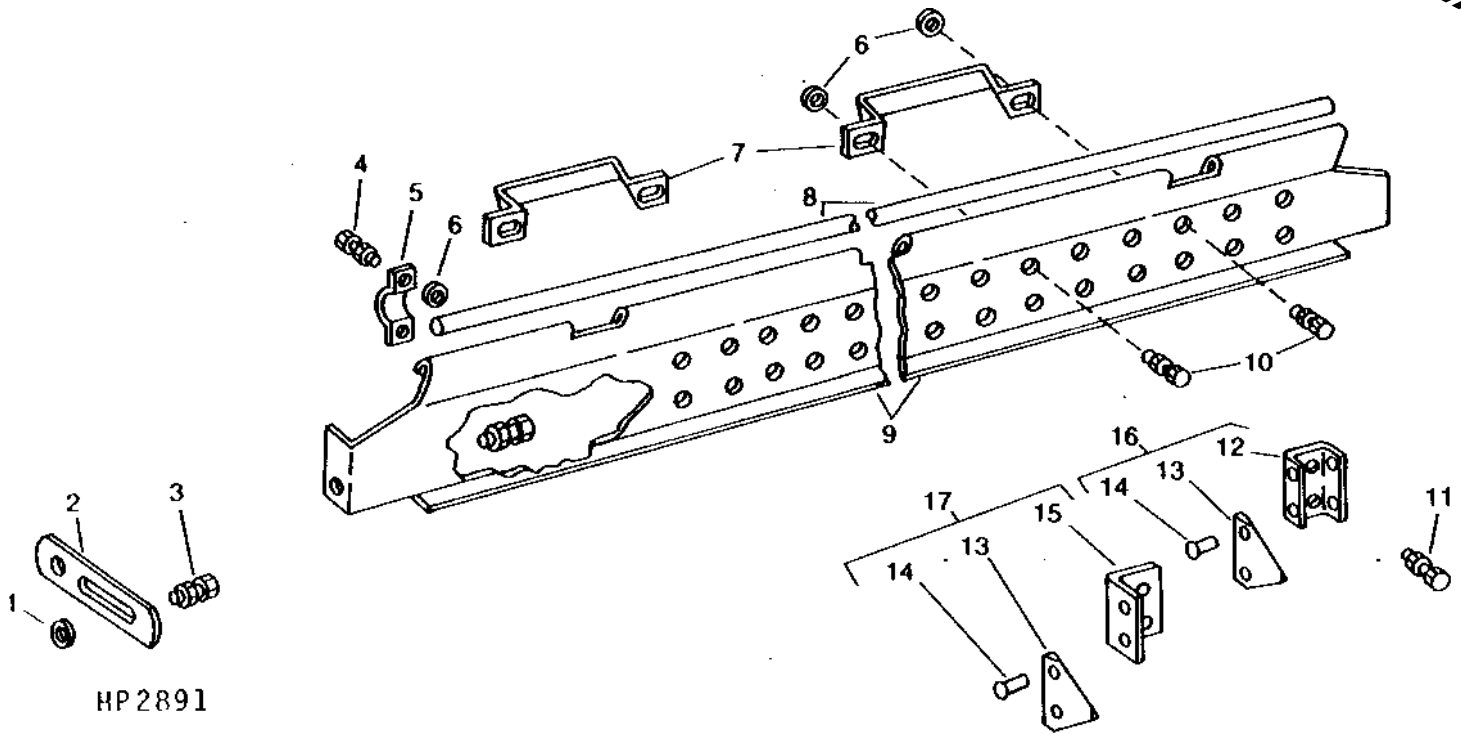
KEY	PART NO.	PART NAME	QTY	SERIAL NO.	REMARKS
1	AH112395	SHEET	1	-600456	(SUB H113332)
	H113332	SHEET	1		
2	19H1731	CAP SCREW	4		3/8" X 1"
	N10215	LOCK NUT	4		
3	H114465	PIPE	1		R.H.
4	H114466	PIPE	1		L.H.
5	03H1500	BOLT	2		3/8" X 1"
	N10215	LOCK NUT	2		
6	03H1463	BOLT	2		3/8" X 3/4"
	12H304	LOCK WASHER	2		3/8"
	14H812	NUT	2		3/8"
7	24H1219	WASHER	2		7/16" X 1" X 0.083"
8	03H1524	BOLT	5		5/16" X 1"
	M40699	NUT	5		
9	24H1136	WASHER	5		11/32" X 11/16" X 0.065"
10	AH112220	DEFLECTOR	1	-615300	(SUB AH125073)
	AH125073	DEFLECTOR	1		
11	03H1540	BOLT	18		5/16" X 3/4"
	N10213	LOCK NUT	18		
12	H114535	VANE	2		R.H. OUTER
13	H114537	VANE	1		R.H. INNER
14	H114538	VANE	1		L.H. INNER
15	H114536	VANE	2		L.H. OUTER

2F23

SEPARATOR

HP2891 -UN-01JAN94

STRAW CHOPPER KNIFE AND SUPPORT



HP 2891

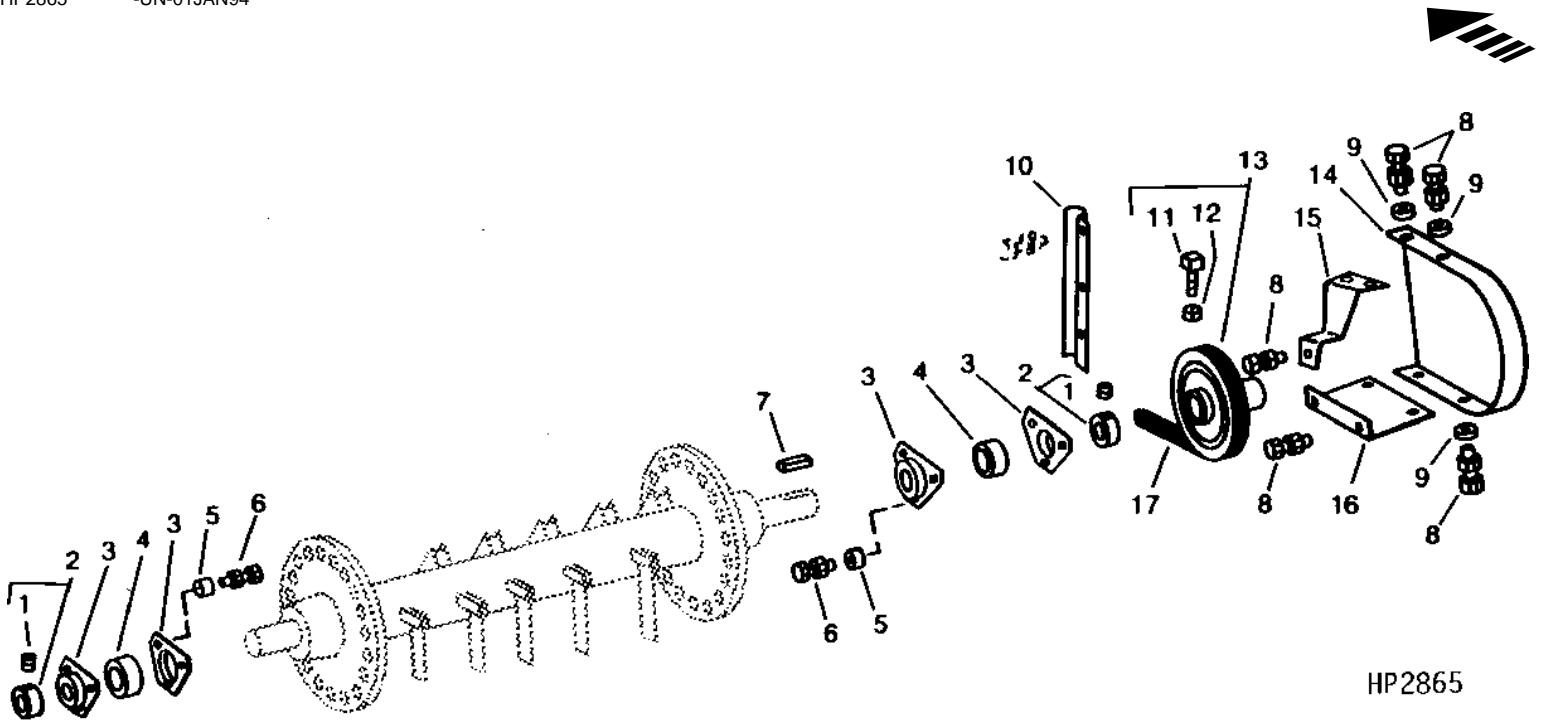
KEY	PART NO.	PART NAME	QTY	SERIAL NO.	REMARKS
1	24H1305	WASHER	2		13/32" X 13/16" X 0.065"
2	H84992	STRAP	2		
3	03H1500	BOLT	4		3/8" X 1"
4	12H304	LOCK WASHER	4		3/8"
	14H812	NUT	4		3/8"
	03H1540	BOLT	8		5/16" X 3/4"
	12H303	LOCK WASHER	8	-463600	5/16"
	14H785	NUT	8	-463600	5/16", (SUB N10213, THIS APPLICATION)
	N10213	LOCK NUT	8		
5	H84990	CLAMP	4		
6	24H1136	WASHER	12	-463600	11/32" X 11/16" X 0.065"
7	H85184	HANDLE	2		
8	H84991	PIN	1		
9	H88804	SUPPORT	1		
10	19H1900	CAP SCREW	4		5/16" X 3/4"
	12H303	LOCK WASHER	4	-463600	5/16"
	14H785	NUT	4	-463600	5/16", (SUB N10213, THIS APPLICATION)
	N10213	LOCK NUT	4		
11	19H1813	CAP SCREW	26	-463600	5/16" X 5/8", (SUB N10212, THIS APPLICATION)
	N10212	SELF-LOCKING SCREW	26		
	12H303	LOCK WASHER	26	-463600	5/16"
	14H785	NUT	26	-463600	5/16", (SUB N10213, THIS APPLICATION)
	N10213	LOCK NUT	26		
12	H88800	CHANNEL	14		
	Z6451H	SECTION	29	-615467	(SUB E76372)
	E76372	SECTION	29		
14	AH84096	RIVET	58	-600000	(SUB AH116874, THIS APPLICATION)
	AH116874	RIVET	1		(CTN. OF (100) Z8946H)
15	P48067	BRACKET	1		
16	AH89918	BRACKET	14		
17	AP23601	BRACKET	1		

2F24

SEPARATOR

HP2865 -UN-01JAN94

STRAW CHOPPER ROTOR SHEAVE AND SHIELD



HP2865

KEY	PART NO.	PART NAME	QTY	SERIAL NO.	REMARKS
1	22H979	SET SCREW	2		3/8" X 3/8"
2	JD8576	ECCENTRIC LOCKING COLLAR	2		
3	H23581	PRESSED FLANGED HOUSING	4	-620300	(SUB H103265)
4	H103265	PRESSED FLANGED HOUSING	4	620301-	
4	JD9275	BALL BEARING	2		
5	H20042	BUSHING	6		
6	19H1732	CAP SCREW	6		3/8" X 1-1/4"
	12H304	LOCK WASHER	6		3/8"
	14H812	NUT	6		3/8"
7	KEY	1		(1/4" X 1/4" X 2-1/4") (CUT FROM H64374 IN AH64587 KEY STOCK KIT)
8	19H1813	CAP SCREW	7		5/16" X 5/8"
	12H303	LOCK WASHER	7	-513100	5/16"
	14H785	NUT	7	-513100	5/16"
	N10213	LOCK NUT	7	513101-	
9	24H1136	WASHER	10	-513100	11/32" X 11/16" X 0.065"
10	H95674	GUIDE	1		
11	22H836	SET SCREW	2		3/8" X 1"
12	14H732	NUT	2		3/8"
13	AH95486	SHEAVE	1		
14	H98221	SHIELD	1		
15	H98222	BRACKET	1		SHIELD, UPPER
16	H76209	BRACKET	1		SHIELD, LOWER
17	H92080	BELT	1	-414100	(SUB H103344)
	H103344	BELT	1		

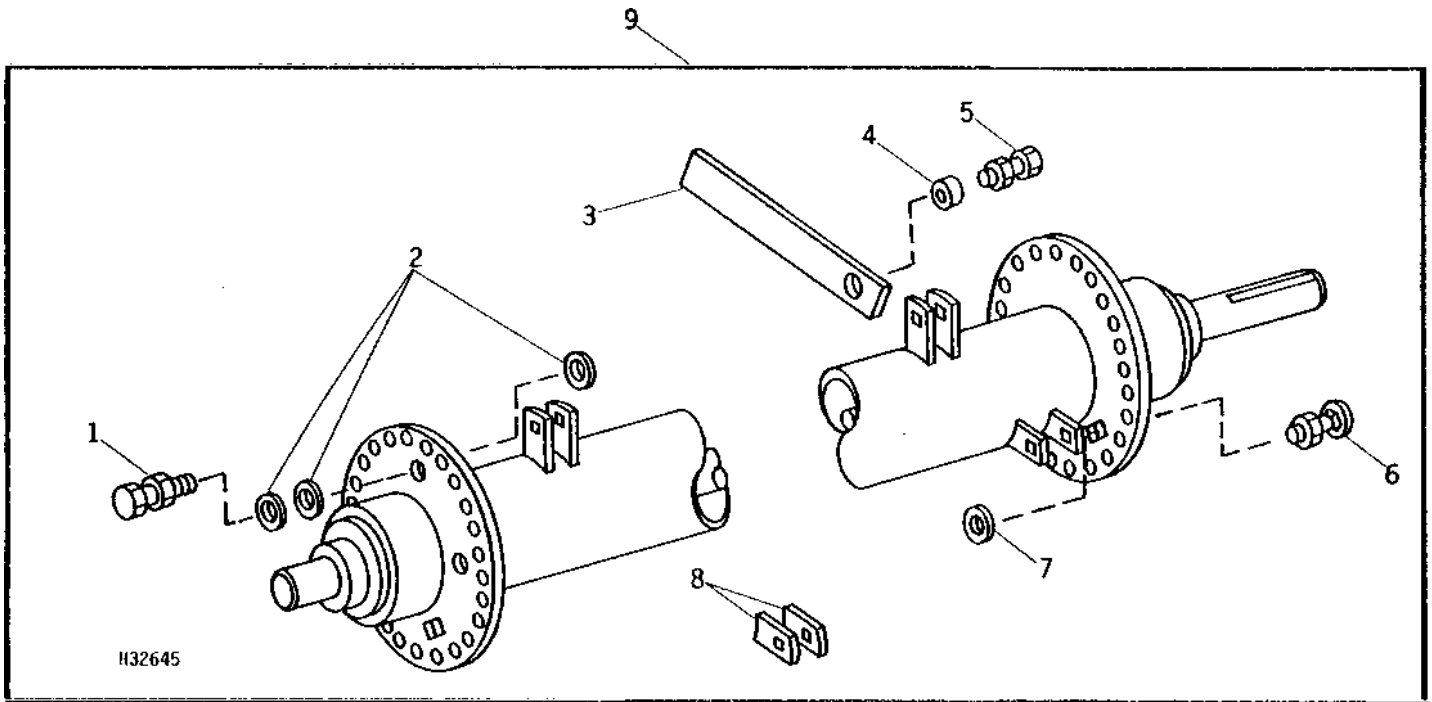
2F25

SEPARATOR

STRAW CHOPPER ROTOR AND BLADES (SERIAL NO. -620300)

H32645

-UN-01JAN94



KEY	PART NO.	PART NAME	QTY	SERIAL NO.	REMARKS
1	19H1800	CAP SCREW	2	3/8" X 1-1/2"	
	H99923	LOCK NUT	2		
2	24H1623	WASHER	6	7/16" X 3" X 0.220"	
3	H88809	STRAP	30	(SUB AH124635 CONSISTING OF 6-H88809 OR AH128359 CONSISTING OF 36-H88809)	
4	H88783	WASHER	30		
5	03H2304	BOLT	28	3/8" X 1"	
	03H2305	BOLT	2	3/8" X 1-1/4"	
	H32147	LOCK NUT	30		
6	19H1849	CAP SCREW	AR	5/16" X 1-1/4"	
	19H1905	CAP SCREW	AR	5/16" X 1"	
	19H1906	CAP SCREW	AR	5/16" X 1-1/2"	
	H76696	LOCK NUT	AR		
7	24H1136	WASHER	AR	11/32" X 11/16" X 0.065"	
	24H1296	WASHER	AR	11/32" X 1-3/8" X 0.134"	
	24H1299	WASHER	AR	3/8" X 1-1/4" X 0.065"	
	24H1300	WASHER	AR	25/64" X 2" X 0.220"	
8	H88807	GUSSET	1		
9	AH95369	ROTOR	1		

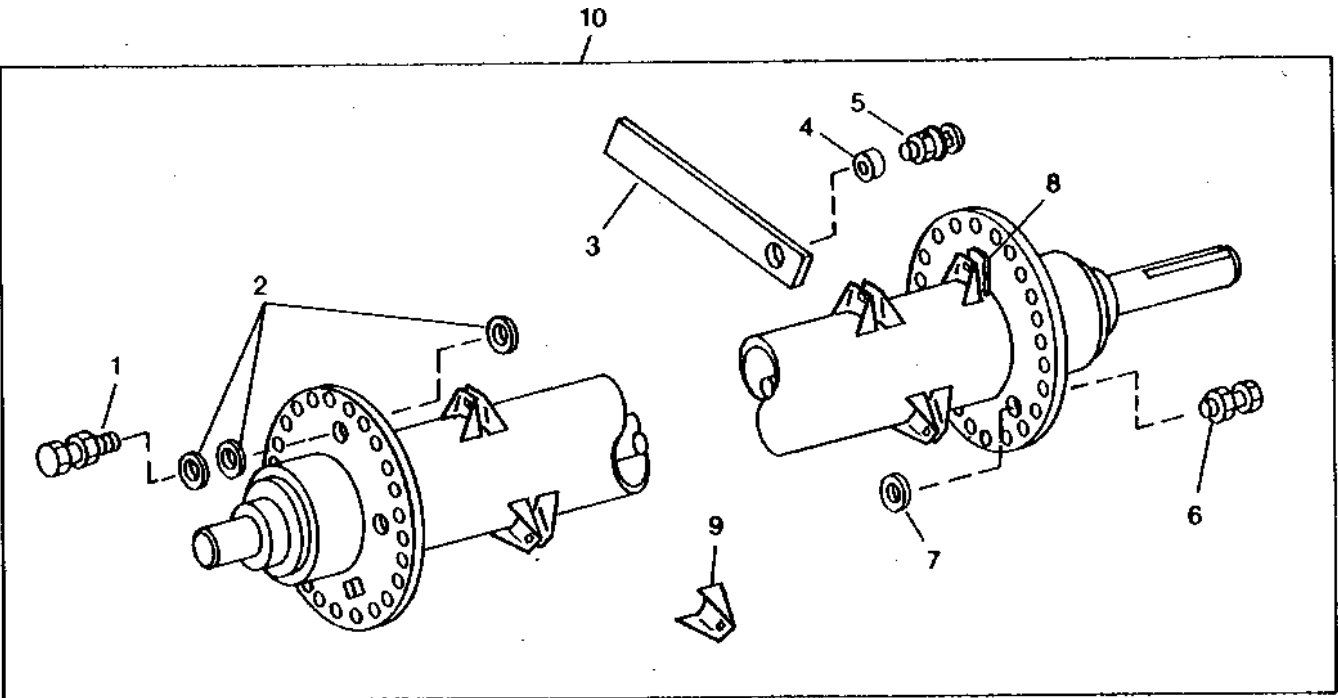
2G1

SEPARATOR

STRAW CHOPPER ROTOR AND BLADES (SERIAL NO. 620301-)

HP2913

-UN-01JAN94



HP2913

KEY	PART NO.	PART NAME	QTY	SERIAL NO.	REMARKS
1	H128360	CAP SCREW	2		
	H129201	LOCK NUT	2		
2	H128084	WASHER	6		
3	AH124635	BLADE	1		(USE WHEN REPLACING 1 BLADE) (CONSISTS OF 6
	AH128359	BLADE	1		BALANCED BLADES, H88809, AND DIRECTIONS)
					(USE WHEN REPLACING 1 SET OF BLADES)
					(CONSISTS OF 36 BALANCED BLADES, H88809,
					AND DIRECTIONS)
4	H88783	WASHER	30		
5	R42729	WASHER	28		10.312 X 20.980 X 2.286 MM (13/32" X 0.826" X
	03H2305	BOLT	30		0.090")
	H32147	LOCK NUT	30		3/8" X 1-1/4"
6	H128358	CAP SCREW	AR		
	H128357	CAP SCREW	AR		
	H128359	CAP SCREW	AR		
	H128361	LOCK NUT	AR		
7	H128080	WASHER	AR		
	H128081	WASHER	AR		
	H128081	WASHER	AR		
	H128083	WASHER	AR		
8	H88807	GUSSET	2		(WELDING REQUIRED) (END GUSSET)
9	H132998	BRACKET	58		(WELDING REQUIRED) (MIDDLE GUSSETS)
10	AH128250	ROTOR	1		WITH BLADES

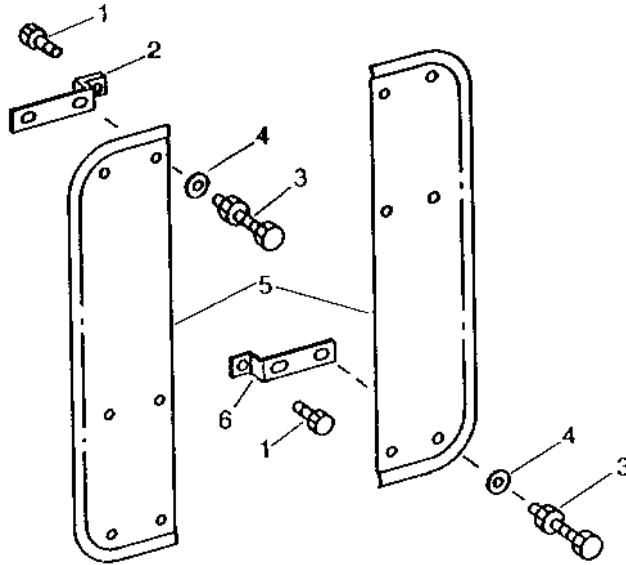
MEMORANDA

2G2

SEPARATOR

HP1493 -UN-01JAN94

STRAW SPREADER SHIELDS



HP1493

KEY	PART NO.	PART NAME	QTY	SERIAL NO.	REMARKS
1	H76139	SCREW	4		
2	H91664	BRACKET	2	-513100	(SUB H91663, THIS APPLICATION)
	H91663	BRACKET	2		L.H.
3	21H1029	SCREW	8		5/16" X 3/4"
	12H303	LOCK WASHER	8		5/16"
	14H785	NUT	8		5/16"
4	24H1136	WASHER	8		11/32" X 11/16" X 0.065"
5	H91665	SHIELD	2		
6	H91663	BRACKET	2		R.H.

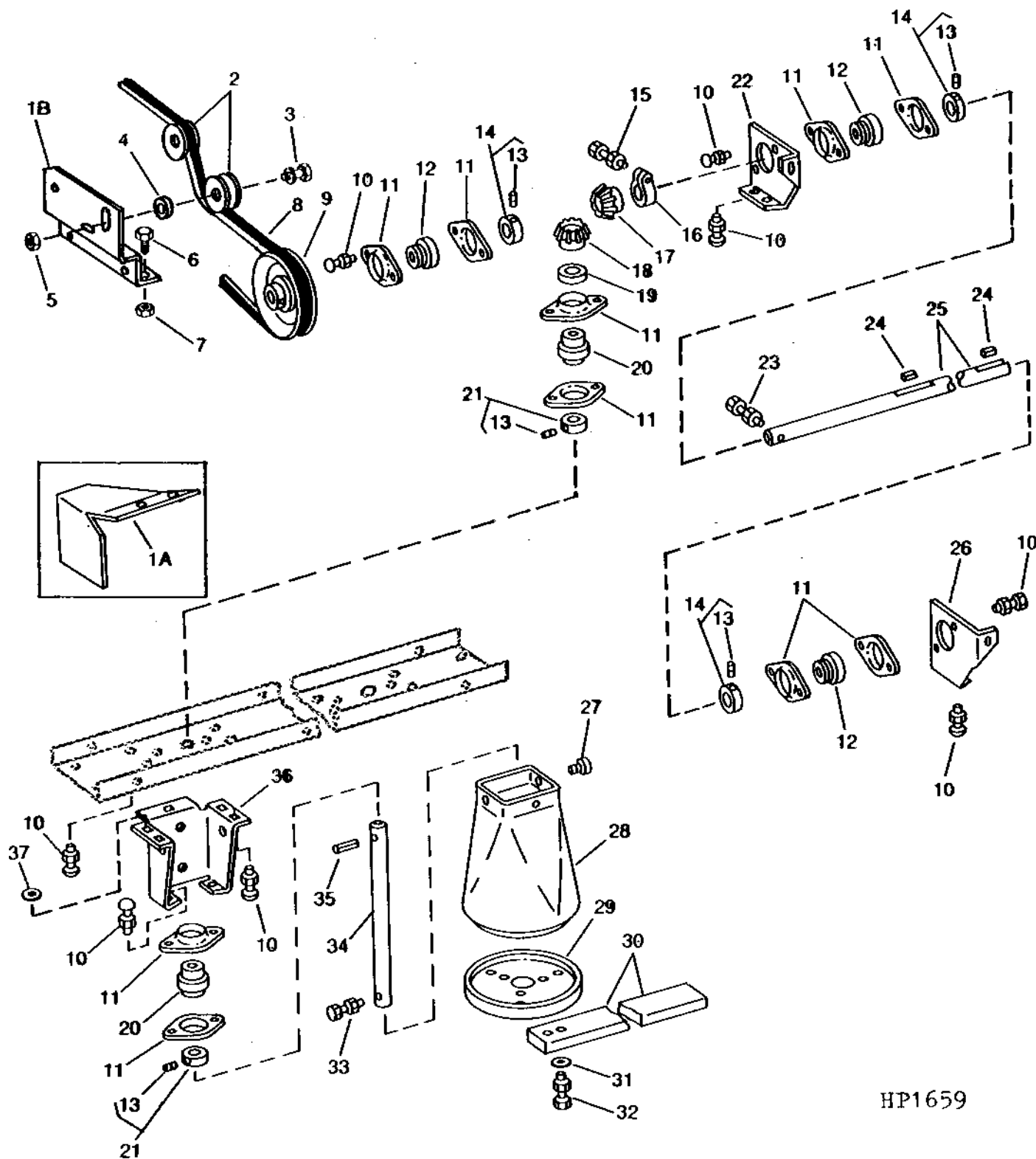
2G3

SEPARATOR

HP1659

-UN-01JAN94

STRAW SPREADER



HP1659

2G4

SEPARATOR

STRAW SPREADER - CONTINUED

KEY	PART NO.	PART NAME	QTY	SERIAL NO.	REMARKS
1A	H83796	SHIELD	1	-562908	
1B	H113715	BRACKET	1	562909-	
2	AH110224	IDLER	2	562909-	114 MM (4-33/64") DIA.
3	19H1930	CAP SCREW	2	562909-	1/2" X 2-1/2"
	12H301	LOCK WASHER	2	562909-	1/2"
	14H1040	NUT	2	562909-	1/2"
4	28H935	SPACER	2	562909-	1/2" X 7/16"
5	24H1111	WASHER	1	562909-	17/32" X 1-1/16" X 0.090"
6	03H1765	BOLT	2	562909-	3/8" X 3/4"
7	N10215	LOCK NUT	2	562909-	
8	H94254	BELT	1	-562908	
	H112421	BELT	1	562909-	
9	AH93057	SHEAVE	1		152 MM (6") DIA.
10	03H1540	BOLT	24		5/16" X 3/4"
	12H303	LOCK WASHER	24		5/16"
	14H785	NUT	24		5/16"
11	P44439	PRESSED FLANGED HOUSING	14		
12	JD8665	BALL BEARING	3		
13	22H897	SET SCREW	7		1/4" X 1/4"
14	JD8554	ECCENTRIC LOCKING COLLAR	3		
15	19H1765	CAP SCREW	2		3/8" X 1-3/4"
	12H304	LOCK WASHER	2		3/8"
	14H812	NUT	2		3/8"
16	M2300T	CLAMP	2		
17	H91796	GEAR	2		13 TEETH
18	H91228	GEAR	2		13 TEETH
19	24H1433	WASHER	2		29/32" X 2-1/4" X 1/4"
20	JD9442	BALL BEARING	4		
21	JD8563	ECCENTRIC LOCKING COLLAR	4		
22	H96250	SUPPORT	1		
23	19H1913	CAP SCREW	1		5/16" X 2-1/4"
	H76696	LOCK NUT	1		
24	KEY	1		(1/4" X 1/4" X 3/4") (CUT FROM H64374 IN AH64587 KEY STOCK KIT)
25	H83800	SHAFT	1		
26	H96249	SUPPORT	1		
27	H83132	SCREW	6		SELF-TAPPING
28	H83795	GUARD	2		
29	AH90738	PLATE	2		
30	H76933	BLADE	6		
31	24H1296	WASHER	12		11/32" X 1-3/8" X 0.134"
32	21H1172	SCREW	12		5/16" X 1-1/2"
	12H303	LOCK WASHER	12		5/16"
	14H785	NUT	12		5/16"
33	19H1875	CAP SCREW	2		5/16" X 1-3/4"
	H76696	LOCK NUT	2		
34	H27332	PIN	2		
35	34H118	SPRING PIN	2		5/16" X 1-1/2"
36	H83798	SUPPORT	2	-562900	(SUB H113743)
	H113743	SUPPORT	2		
37	24H1136	WASHER	4		11/32" X 11/16" X 0.065"

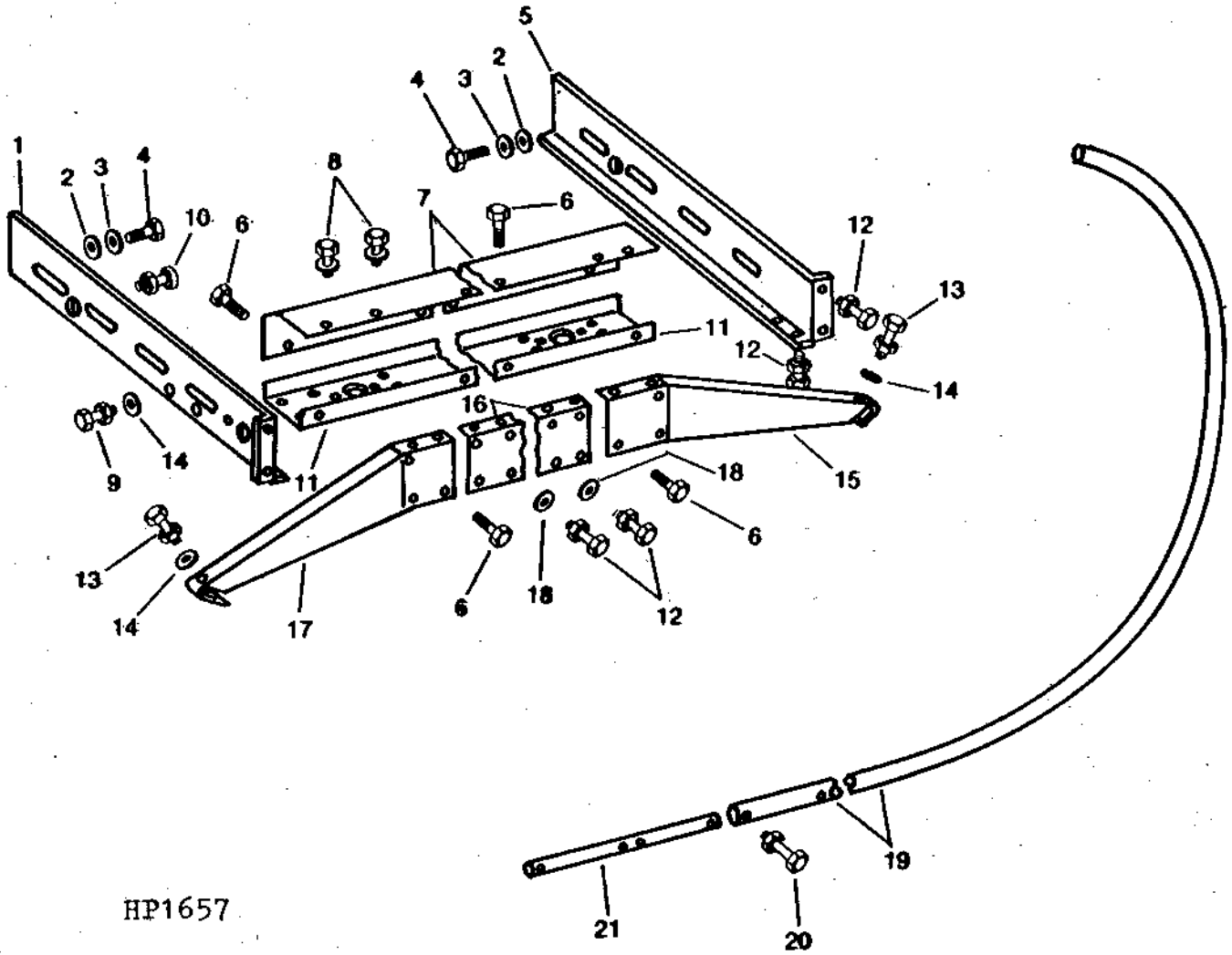
2G5

SEPARATOR

HP1657

-UN-01JAN94

STRAW SPREADER MOUNTING AND GUARD



2G6

SEPARATOR

STRAW SPREADER MOUNTING AND GUARD - CONTINUED

KEY	PART NO.	PART NAME	QTY	SERIAL NO.	REMARKS
1	H76925	BRACKET	1	-562908	L.H.
	H112395	SHEET	1	562909-	L.H.
2	24H1789	WASHER	2		17/32" X 1-1/4" X 0.105"
3	12H301	LOCK WASHER	2		1/2"
4	19H1792	CAP SCREW	2		1/2" X 1"
5	H76924	BRACKET	1		R.H.
6	H65108	SCREW	10		SELF-TAPPING
7	H83808	COVER	1		
8	H76139	SCREW	2		SELF-TAPPING
9	N10212	SELF-LOCKING SCREW	8		
	N10213	LOCK NUT	8		
10	03H1765	BOLT	2	562901-	3/8" X 3/4"
	N10215	LOCK NUT	2	562901-	
11	H100965	SUPPORT	1	-562900	(SUB H113762)
	H113762	SUPPORT	1		
12	19H1936	CAP SCREW	12		3/8" X 3/4"
	12H304	LOCK WASHER	12		3/8"
	14H812	NUT	12		3/8"
13	19H1901	CAP SCREW	2		5/16" X 2"
	12H303	LOCK WASHER	2		5/16"
	14H785	NUT	2		5/16"
14	24H1136	WASHER	10		11/32" X 11/16" X 0.065"
15	H100963	SUPPORT	1		R.H.
16	H100958	SUPPORT	1		CENTER
17	H100964	SUPPORT	1		L.H.
18	24H1305	WASHER	2		13/32" X 13/16" X 0.065"
19	AH85415	GUARD	2		
20	19H2102	CAP SCREW	4		1/4" X 1-3/4"
	12H302	LOCK WASHER	4		1/4"
	14H786	NUT	4		1/4"
21	H84932	TUBE	1		

MEMORANDA

MEMORANDA

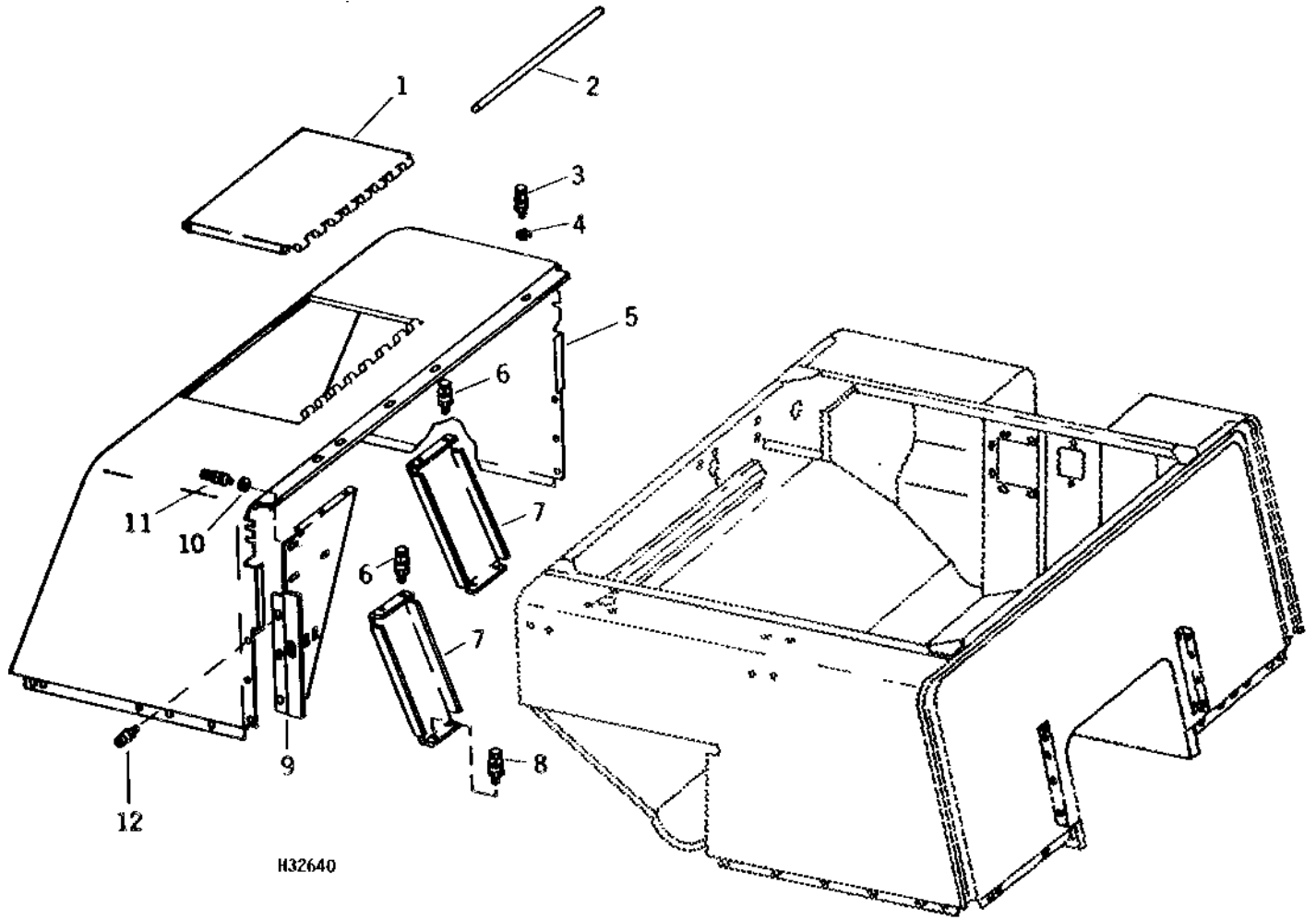
2G9

GRAIN TANK AND UNLOADING AUGER

H32640

-UN-01JAN94

GRAIN TANK FALSE FRONT



H32640

2G10

GRAIN TANK AND UNLOADING AUGER

GRAIN TANK FALSE FRONT - CONTINUED

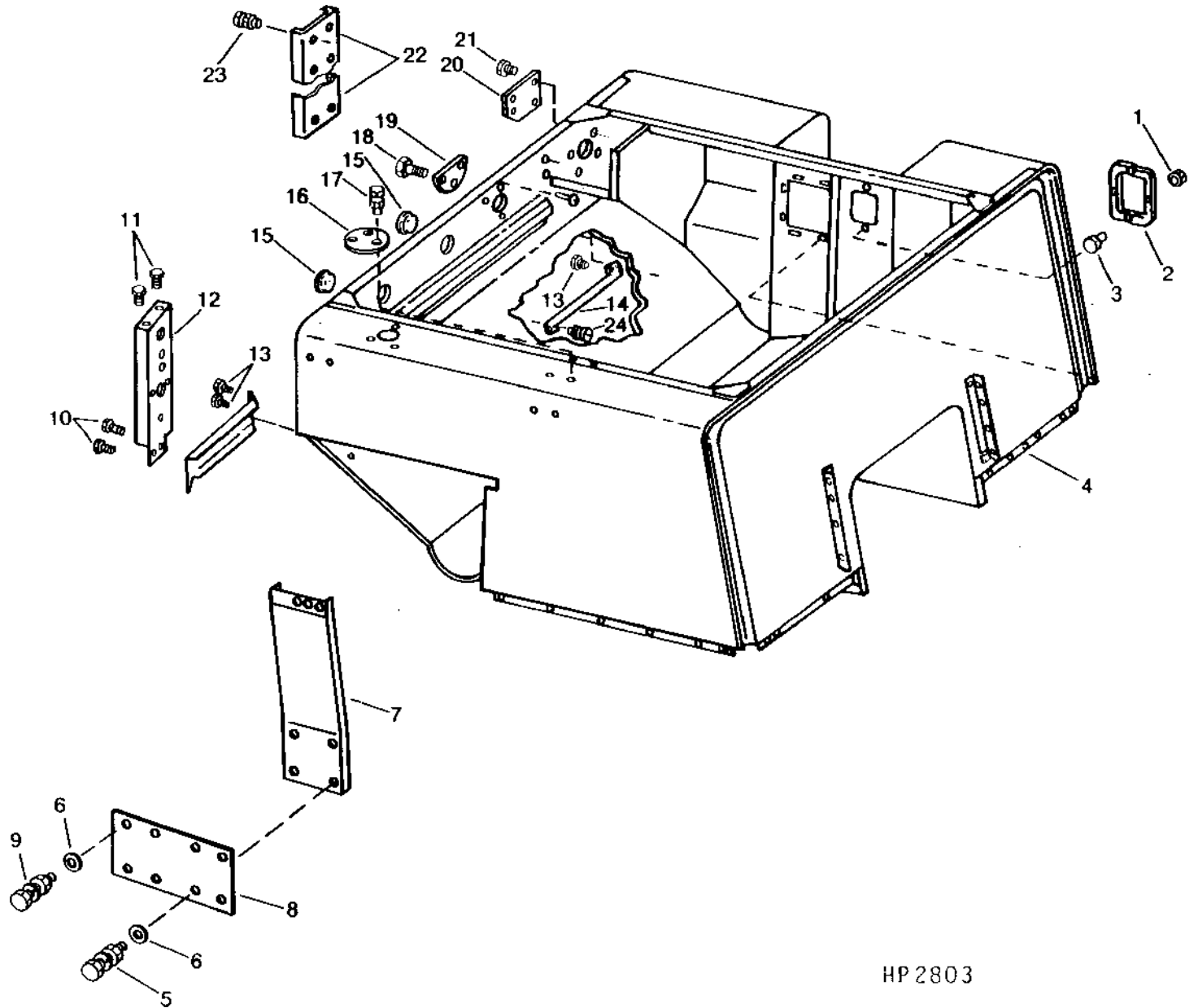
KEY	PART NO.	PART NAME	QTY	SERIAL NO.	REMARKS
1	AH75082	DOOR	1		
2	H86290	PIN	1		
3	19H1731	CAP SCREW	4		3/8" X 1"
	12H304	LOCK WASHER	4		3/8"
	14H812	NUT	4		3/8"
4	24H1305	WASHER	8		13/32" X 13/16" X 0.065"
5	AH98850	TANK	1		
6	19H1936	CAP SCREW	4		3/8" X 3/4"
	12H304	LOCK WASHER	4		3/8"
	14H812	NUT	4		3/8"
7	H92887	BRACE	2	-600000	(WITHOUT DIAL-A-MATIC) (SUB H114884)
	H114884	BRACE	2		(WITH DIAL-A-MATIC)
8	19H1731	CAP SCREW	4		3/8" X 1"
	12H304	LOCK WASHER	4		3/8"
	14H812	NUT	4		3/8"
9	AH98811	SUPPORT	1		
10	24H1305	WASHER	1		13/32" X 13/16" X 0.065"
11	19H1731	CAP SCREW	5		3/8" X 1"
	12H304	LOCK WASHER	5		3/8"
	14H812	NUT	5		3/8"
12	N71292	SELF-LOCKING SCREW	4		
	N10213	LOCK NUT	4		

2G11

GRAIN TANK AND UNLOADING AUGER

HP2803 -UN-01JAN94

GRAIN TANK



HP 2803

2G12

GRAIN TANK AND UNLOADING AUGER

GRAIN TANK - CONTINUED

KEY	PART NO.	PART NAME	QTY	SERIAL NO.	REMARKS
1	P41706	NUT	4		
2	H89569	DOOR	1		INSPECTION
3	19H1227	CAP SCREW	4		1/4" X 1/2"
4	AH98281	TANK	1	-600000	(SUB AH114639)
	AH114639	TANK	1	-615300	(SUB AH126053)
	AH126053	TANK	1	-620300	(SUB AH126289)
	AH126289	TANK	1		
5	19H1731	CAP SCREW	4		3/8" X 1"
	12H304	LOCK WASHER	4		3/8"
	14H812	NUT	4		3/8"
6	24H1305	WASHER	8		13/32" X 13/16" X 0.065"
7	H131280	BRACE	1		L.H. INNER
8	H131281	REINFORCEMENT	1		
9	19H1936	CAP SCREW	4		3/8" X 3/4"
	12H304	LOCK WASHER	4		3/8"
	14H812	NUT	4		3/8"
10	19H1900	CAP SCREW	4		5/16" X 3/4"
	14H785	NUT	4		5/16"
11	N10212	SELF-LOCKING SCREW	3		
	N10213	LOCK NUT	3		
12	H101221	SUPPORT	1		L.H.
13	H76139	SCREW	4		SELF-TAPPING
14	H98523	SUPPORT	2		FRONT
15	A22836	CAP	1		
16	H101438	FLANGE	1		
17	N10212	SELF-LOCKING SCREW	3		
	N10213	LOCK NUT	3		
18	H65108	SCREW	3		SELF-TAPPING
19	H84699	COVER	1		
20	H100123	COVER	1		
21	N10212	SELF-LOCKING SCREW	4		
22	H99848	SUPPORT	1		R.H.
23	H65108	SCREW	2		SELF-TAPPING
24	37H27	SCREW	4		5/16" X 7/8"
	N10213	LOCK NUT	4		5/16"

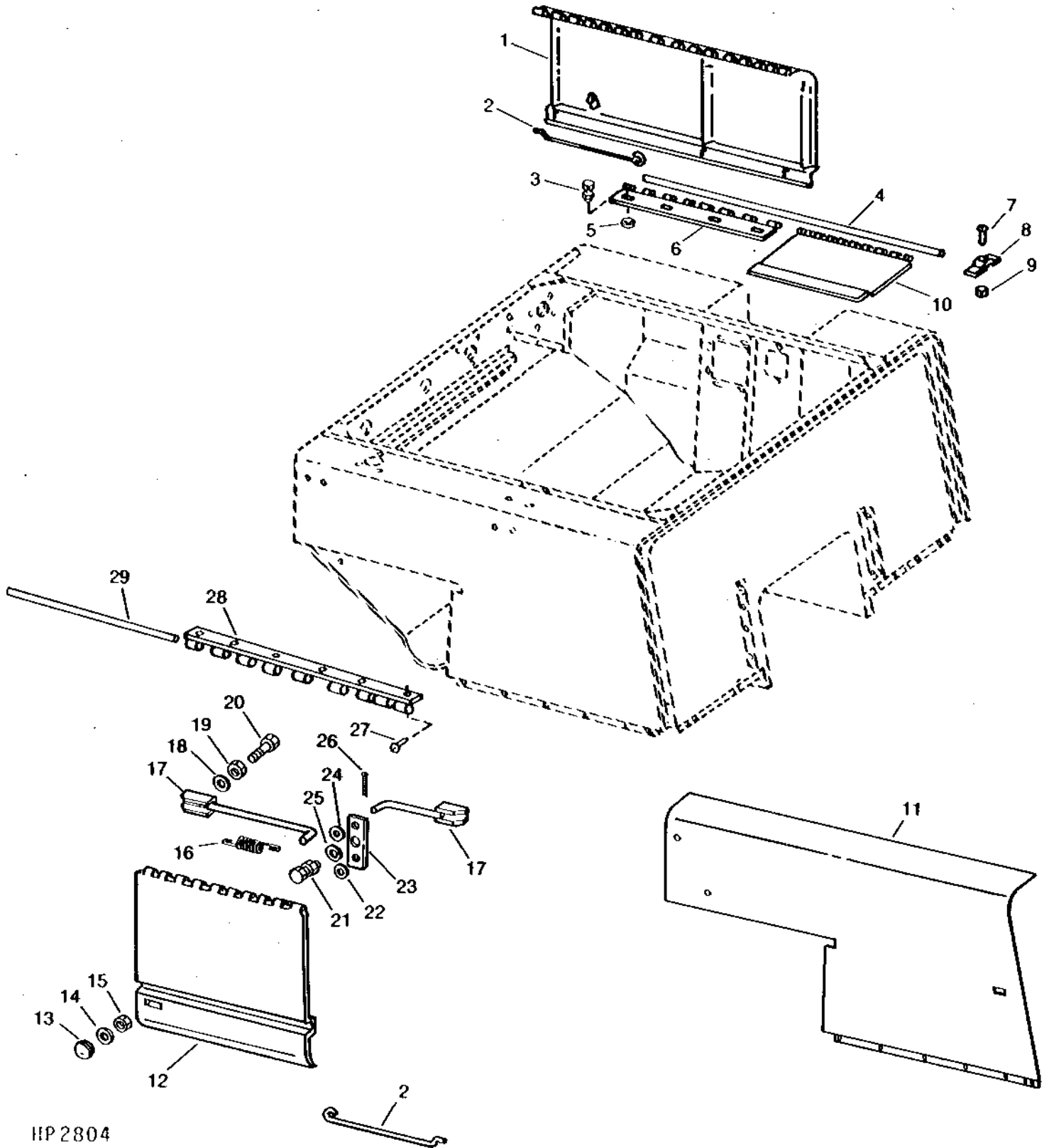
2G13

GRAIN TANK AND UNLOADING AUGER

HP2804

-UN-01JAN94

GRAIN TANK SKIRTS



HP 2804

2G14

GRAIN TANK AND UNLOADING AUGER

GRAIN TANK SKIRTS - CONTINUED

KEY	PART NO.	PART NAME	QTY	SERIAL NO.	REMARKS
1	AH98094	PANEL	1		
2	H99933	ROD	2		
3	N10212	SELF-LOCKING SCREW	4		
	N10213	LOCK NUT	4		
4	H99599	DOWEL PIN	1		
5	24H1136	WASHER	8		11/32" X 11/16" X 0.065"
6	H99598	HINGE	1		R.H.
7	H86858	SCREW	2	-625300	(SUB N14820)
	N14820	SELF-LOCKING SCREW	2		
8	H99600	CLAMP	1		
9	N10217	LOCK NUT	2		
10	H99597	DOOR	1		
11	AH98144	SHEET	1		
12	AH98849	DOOR	1		
13	H29296	KNOB	1		
14	14H882	NUT	1		5/16"
15	N100007	WASHER	1	-414100	(SUB 24H1351, THIS APPLICATION)
	24H1351	WASHER	1		9/16" X 1-1/2" X 0.164"
16	H22292	SPRING	1		
17	AH97277	LATCH	2		
18	24H1224	WASHER	1		11/32" X 1" X 1/16"
19	28H1511	WASHER	1		0.364" X 0.540" X 1/4"
20	19H3374	CAP SCREW	1		5/16" X 1-1/4"
21	19H1731	CAP SCREW	1		3/8" X 1"
	24H1307	WASHER	2		13/32" X 1" X 1/16"
	H99923	LOCK NUT	1		
22	24H1307	WASHER	1		13/32" X 1" X 1/16"
23	H100002	STRAP	1		
24	24H1307	WASHER	1		13/32" X 1" X 1/16"
25	28H1518	WASHER	1		0.493" X 0.675" X 5/16"
26	11H211	COTTER PIN	2		1/8" X 3/4"
27	H65108	SCREW	6		SELF-TAPPING
28	H98358	HINGE	1		
29	H79410	PIN	1		

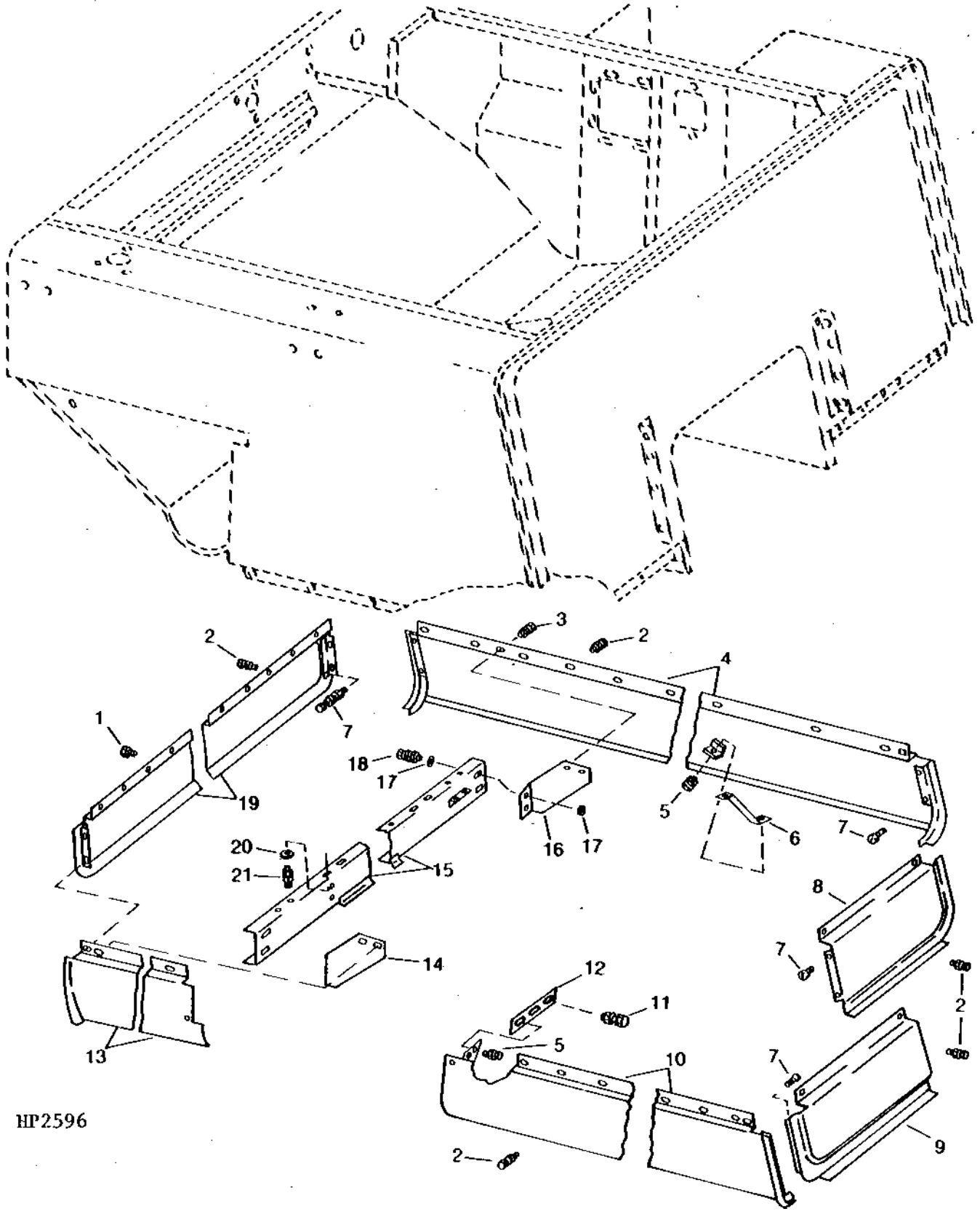
2G15

GRAIN TANK AND UNLOADING AUGER

HP2596

-UN-01JAN94

GRAIN TANK SKIRTS



HP2596

2G16

GRAIN TANK AND UNLOADING AUGER

GRAIN TANK SKIRTS - CONTINUED

KEY	PART NO.	PART NAME	QTY	SERIAL NO.	REMARKS
1	N10212	SELF-LOCKING SCREW	1		
	N10213	LOCK NUT	1		
2	N71292	SELF-LOCKING SCREW	28		
	N10213	LOCK NUT	28		
3	N10212	SELF-LOCKING SCREW	8		
	N10213	LOCK NUT	8		
4	AH92352	PANEL	1		R.H.
5	19H1900	CAP SCREW	2		5/16" X 3/4"
	N10213	LOCK NUT	2		
6	H98576	STRAP	1		
7	H65108	SCREW	22		SELF-TAPPING
8	AH76096	PANEL	1		R.H. REAR
9	AH76097	PANEL	1		L.H. REAR
10	AH96788	PANEL	1		L.H.
11	N10212	SELF-LOCKING SCREW	1	615301-	
	N10213	LOCK NUT	1	615301-	
12	H100034	STRAP	1	-615300	(SUB H129251)
	H129251	STRAP	1	615301-	
13	AH98853	PANEL	1		L.H. FRONT
14	H94863	BRACKET	1		L.H.
15	AH102718	SUPPORT	1	-562900	(SUB AH109690)
	AH109690	SUPPORT	1	-600000	(SUB AH116352)
	AH116352	SUPPORT	1	600001-610600	(SUB AH118961)
	AH118961	SUPPORT	1		
16	H94862	BRACKET	1		R.H.
17	24H1305	WASHER	8		13/32" X 13/16" X 0.065"
18	19H1731	CAP SCREW	4		3/8" X 1"
	12H304	LOCK WASHER	4		3/8"
	14H812	NUT	4		3/8"
19	AH92353	SHIELD	1		FRONT
20	24H1136	WASHER	4		11/32" X 11/16" X 0.065"
21	19H1731	CAP SCREW	4		3/8" X 1"
	12H304	LOCK WASHER	4		3/8"
	14H812	NUT	4		3/8"

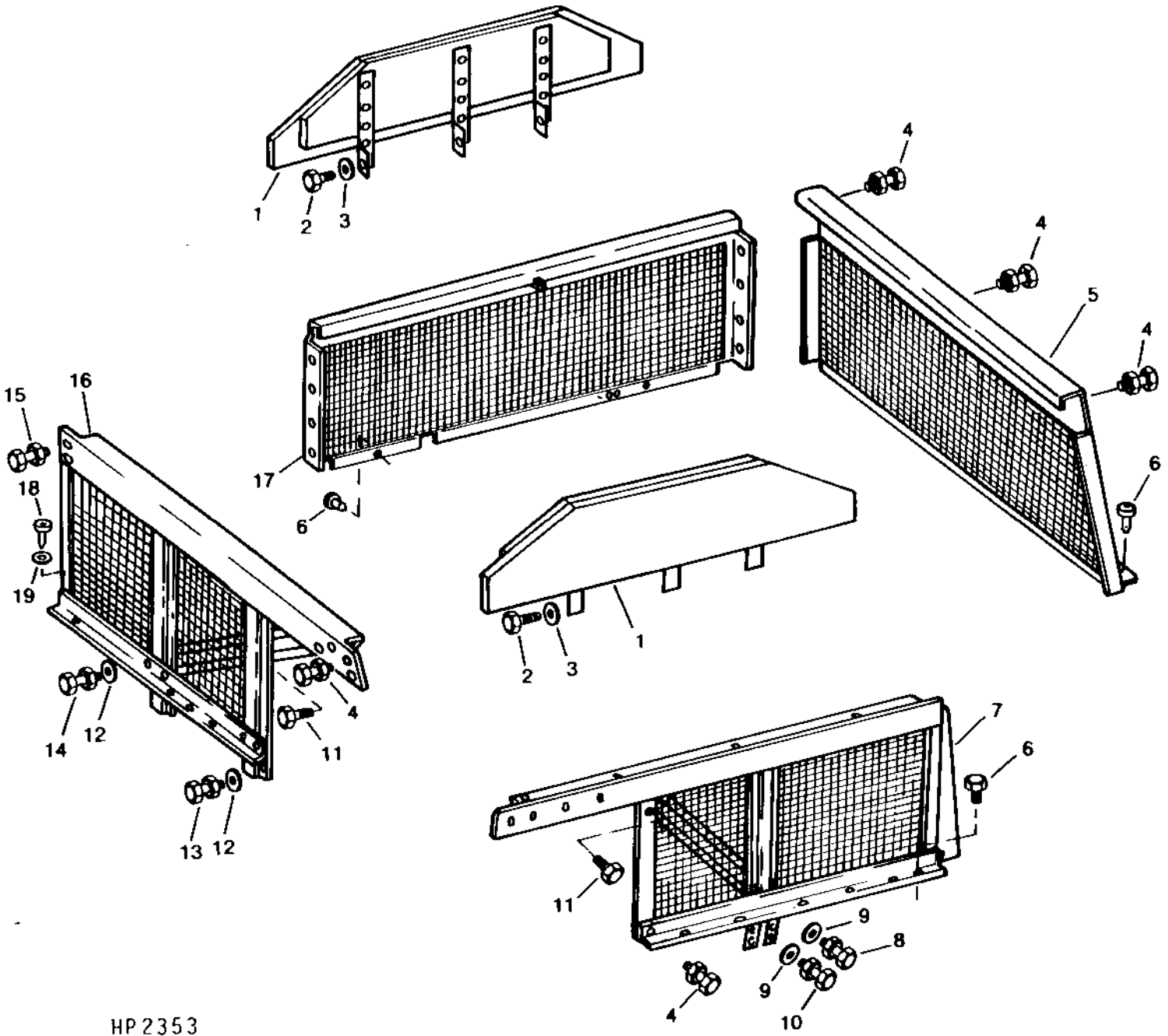
2G17

GRAIN TANK AND UNLOADING AUGER

HP2353

-UN-01JAN94

GRAIN TANK EXTENSIONS AND FLIP-UPS



HP 2353

2G18

GRAIN TANK AND UNLOADING AUGER

GRAIN TANK EXTENSIONS AND FLIP-UPS - CONTINUED

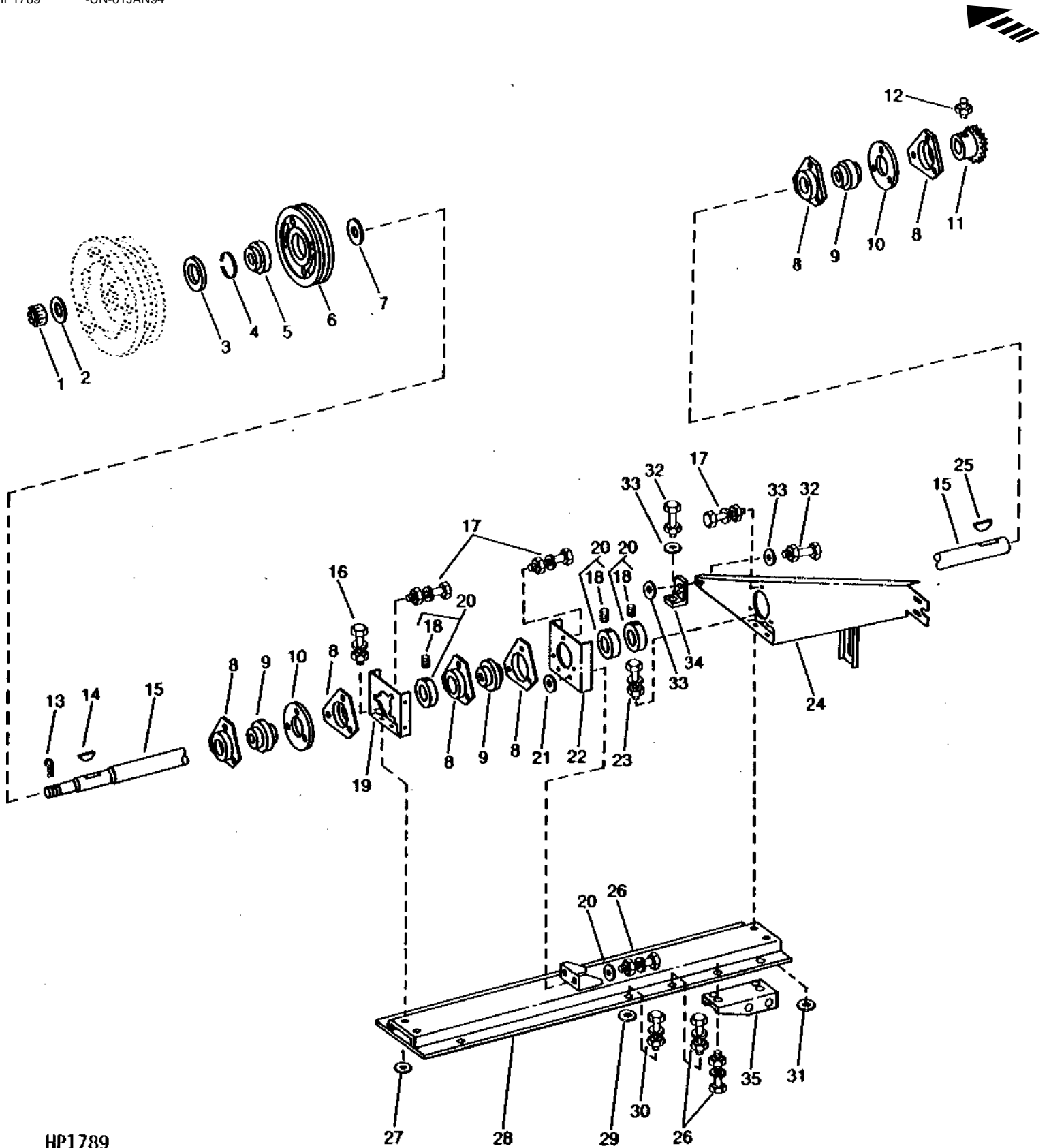
KEY	PART NO.	PART NAME	QTY	SERIAL NO.	REMARKS
1	AH98258	EXTENSION	2	-600000	(SUB AH112051)
	AH112051	EXTENSION	2		
2	19H1905	CAP SCREW	6		5/16" X 1"
	M40699	NUT	6		
3	M80072	WASHER	12	-600000	(SUB B27370, THIS APPLICATION)
	B27370	WASHER	12		
4	N10212	SELF-LOCKING SCREW	17		
	N10213	LOCK NUT	17		
5	AH101122	FRAME	1		R.H.
6	H65108	SCREW	25		SELF-TAPPING
7	AH98209	FRAME	1	-615467	REAR
	AH126585	FRAME	1	615468-	REAR
8	19H1936	CAP SCREW	2		3/8" X 3/4"
	12H304	LOCK WASHER	2		3/8"
	14H812	NUT	2		3/8"
9	24H1305	WASHER	6		13/32" X 13/16" X 0.065"
10	19H1936	CAP SCREW	4		3/8" X 3/4"
	12H304	LOCK WASHER	4		3/8"
11	H81101	SCREW	4		SELF-TAPPING
12	24H1136	WASHER	8		11/32" X 11/16" X 0.065"
13	19H1900	CAP SCREW	4		5/16" X 3/4"
	12H303	LOCK WASHER	4		5/16"
14	19H1900	CAP SCREW	4		5/16" X 3/4"
	12H303	LOCK WASHER	4		5/16"
	14H785	NUT	4		5/16"
15	21H1029	SCREW	6		5/16" X 3/4"
	N10213	LOCK NUT	6		
16	AH99407	FRAME	1		L.H.
17	AH98274	FRAME	1		FRONT
18	H76139	SCREW	5	-600456	
	H79578	SCREW	5	600457-	
	24H1887	WASHER	5	600457-	11/32" X 1" X 0.134"

2G19

GRAIN TANK AND UNLOADING AUGER

UNLOADING AUGER DRIVE COUNTERSHAFT, SHEAVE, AND DRIVE SPROCKET

HP1789 -UN-01JAN94



HP1789

2G20

GRAIN TANK AND UNLOADING AUGER

UNLOADING AUGER DRIVE COUNTERSHAFT, SHEAVE, AND DRIVE SPROCKET --CONTINUED

KEY	PART NO.	PART NAME	QTY	SERIAL NO.	REMARKS
1	14H920	NUT	1		1"
2	24H1138	WASHER	1		1-1/16" X 2" X 0.134"
3	24H1548	WASHER	AR		1-19/32" X 2-3/16" X 0.036"
4	M3649T	SNAP RING	1		
5	JD7163	BALL BEARING	1		
6	H93959	SHEAVE	1		254 MM (10") DIA.
7	H100235	LOCKING COLLAR	1		
8	E10018	PRESSED FLANGED HOUSING	6		
9	JD9274	BALL BEARING	3		
10	H87784	SHIM	3	-615300	
11	AH96703	CHAIN SPROCKET	1		
12	22H907	SET SCREW	1		5/16" X 7/8"
	14H611	NUT	1		5/16"
13	11H213	COTTER PIN	1		3/16" X 1-3/4"
14	26H40	SHAFT KEY	1		1/4" X 2-1/8"
15	H102701	SHAFT	1		
16	19H1944	CAP SCREW	2		3/8" X 2-3/4"
	12H304	LOCK WASHER	2		3/8"
	14H812	NUT	2		3/8"
17	03H1500	BOLT	9		3/8" X 1"
	12H304	LOCK WASHER	9		3/8"
	14H812	NUT	9		3/8"
18	22H897	SET SCREW	3		1/4" X 1/4"
19	H100236	BEARING HOUSING W/O BEARING	1		
20	JD8544	ECCENTRIC LOCKING COLLAR	3		
21	24H1682	WASHER	4		13/32" X 7/8" X 0.120"
22	H94496	BRACKET	1		
23	03H2133	BOLT	2	-625300	3/8" X 2-3/4"
	12H304	LOCK WASHER	2	-625300	3/8"
	14H812	NUT	2	-625300	3/8"
24	AH98266	BRACE	1	-463600	(SUB AH106931 WITH H108600)
	AH106931	BRACE	1		
25	26H41	SHAFT KEY	1		5/16" X 2-1/8"
26	19H1731	CAP SCREW	3	-562900	3/8" X 1"
	12H304	LOCK WASHER	3	-562900	3/8"
	14H812	NUT	3	-562900	3/8"
	19H1731	CAP SCREW	5	562901-	3/8" X 1"
	12H304	LOCK WASHER	5	562901-	3/8"
	14H812	NUT	5	562901-	3/8"
27	24H1311	WASHER	1		13/32" X 1-1/4" X 0.220"
28	AH98074	SUPPORT	1	-414100	(SUB AH107098)
	AH107098	SUPPORT	1		
29	24H1111	WASHER	4		17/32" X 1-1/16" X 0.090"
30	19H1815	CAP SCREW	4		1/2" X 1-1/4"
	12H301	LOCK WASHER	4		1/2"
	14H1040	NUT	4		1/2"
31	24H1311	WASHER	2		13/32" X 1-1/4" X 0.220"
32	19H1731	CAP SCREW	3	463601-	3/8" X 1"
	12H304	LOCK WASHER	3	463601-	3/8"
	14H812	NUT	3	463601-	3/8"
33	24H1305	WASHER	5	463601-	13/32" X 13/16" X 0.065"
34	H108600	BRACKET	1	463601-	
35	H113449	CHANNEL	1	562901-	

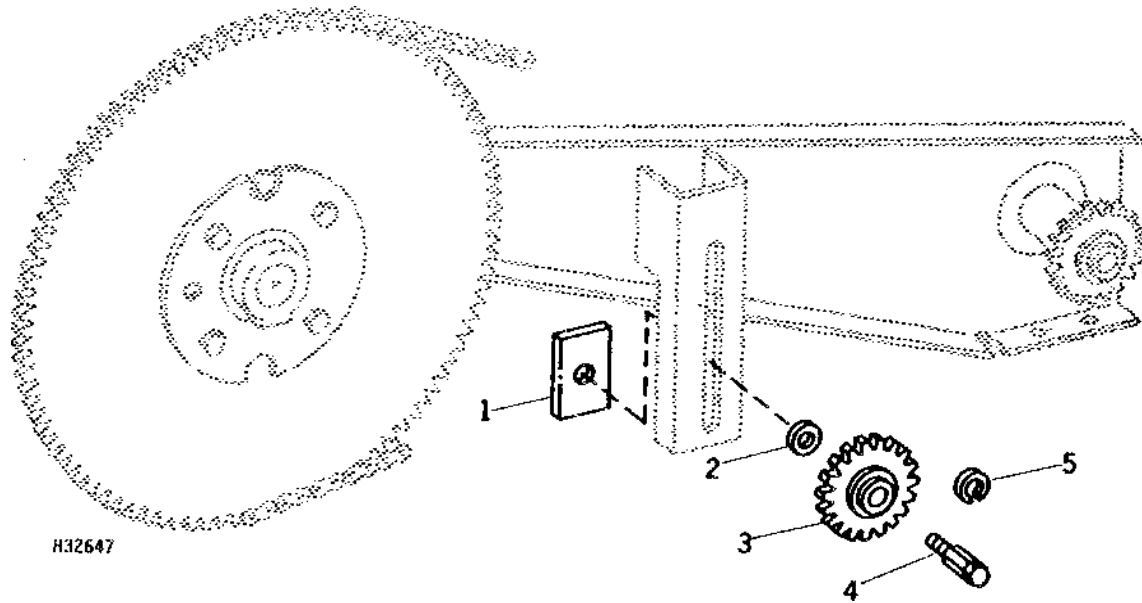
2G21

GRAIN TANK AND UNLOADING AUGER

H32647

-UN-01JAN94

UNLOADING AUGER DRIVE IDLER



KEY	PART NO.	PART NAME	QTY	SERIAL NO.	REMARKS
1	H88071	NUT	1		
2	24H1341	WASHER	1		
3	AH89429	CHAIN SPROCKET	1		
4	H88070	SHAFT	1		17/32" X 15/16" X 0.060"
5	H75588	SNAP RING	1		15 TEETH

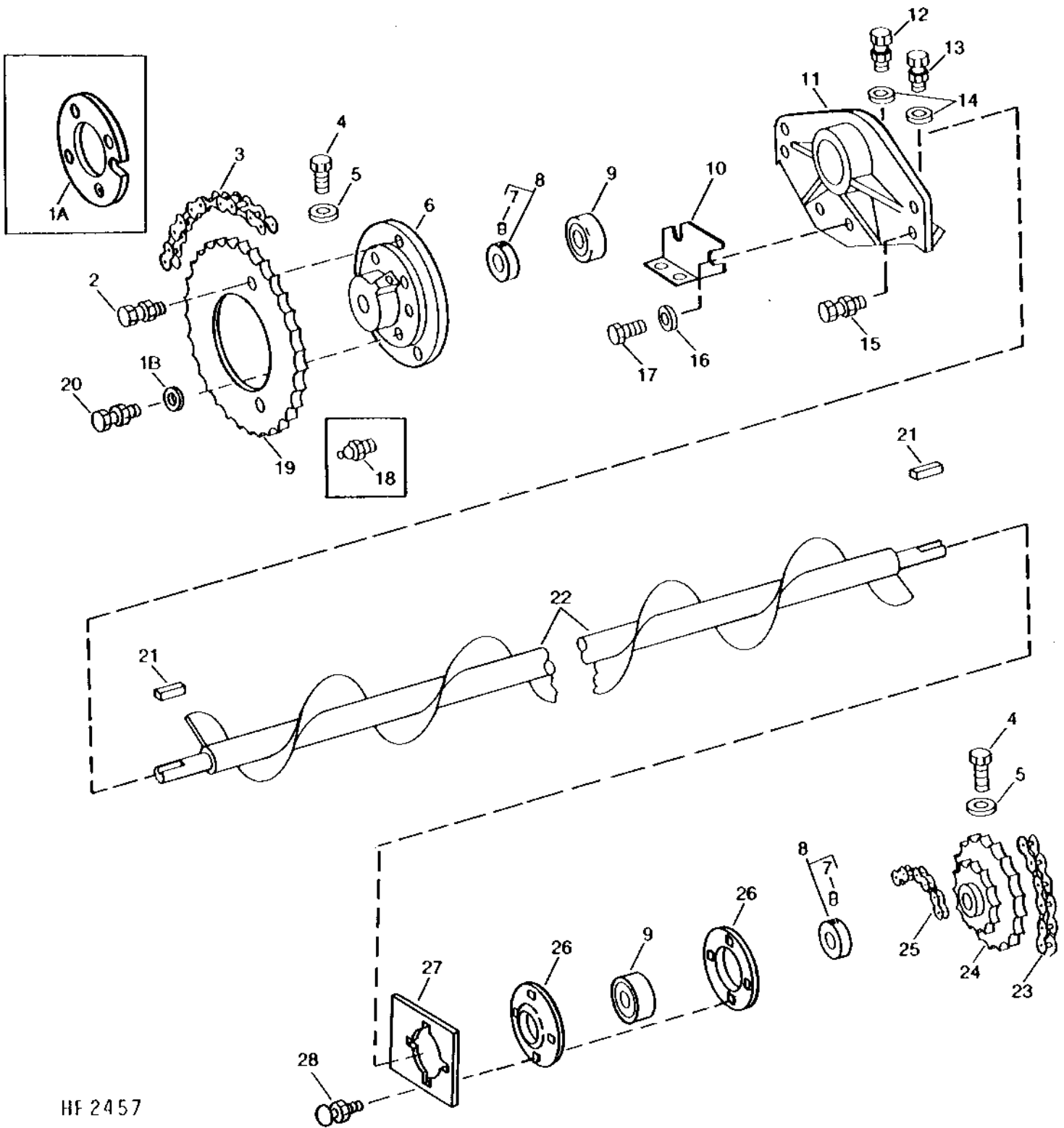
2G23

GRAIN TANK AND UNLOADING AUGER

HP2457

-UN-01JAN94

GRAIN TANK FRONT CROSS AUGER



HF 2457

2G24

GRAIN TANK AND UNLOADING AUGER

GRAIN TANK FRONT CROSS AUGER - CONTINUED

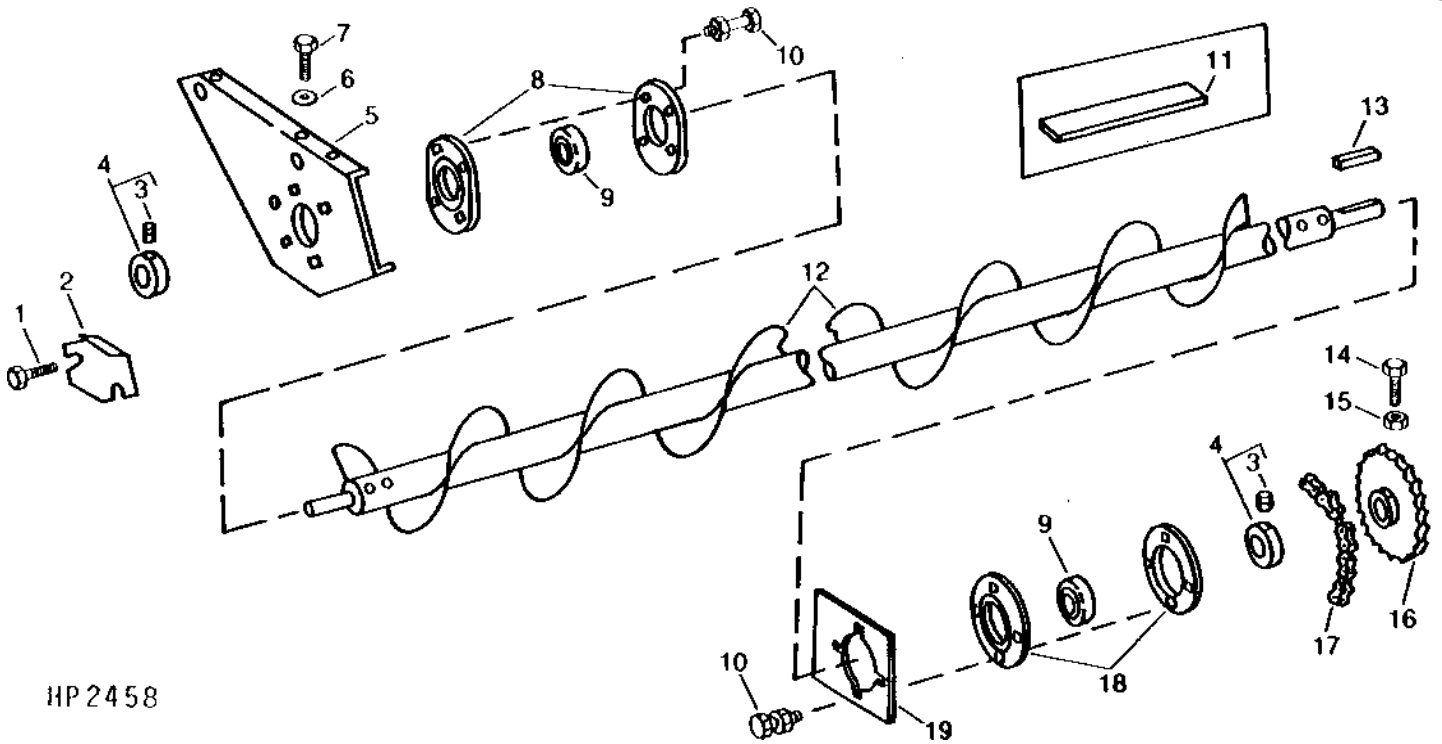
KEY	PART NO.	PART NAME	QTY	SERIAL NO.	REMARKS
1A	H100674	PLATE	1	-414100	(SUB H106371)
	H106371	PLATE	1	-562900	(SUB (4) 24H1730)
1B	24H1730	WASHER	4		13/32" X 1-1/2" X 0.120"
2	19H2915	CAP SCREW	1		5/16" X 1-1/4"
	12H303	LOCK WASHER	1		5/16"
	14H785	NUT	1		5/16"
3	LINK CHAIN	1		ROLLER, TYPE 60, 19 MM (3/4") PITCH, 135 LINKS, (ASSEMBLE FROM (2) AB1288H, AB1289H AND AB1290H)
4	22H888	SET SCREW	4		3/8" X 1-1/4"
5	14H732	NUT	4		3/8"
6	H100677	HUB	1	-414100	(SUB H102520)
	H102520	HUB	1		
7	22H979	SET SCREW	2		3/8" X 3/8"
8	JD9201	ECCENTRIC LOCKING COLLAR	2		
9	JD9276	BALL BEARING	2		
10	H99577	COVER	1		
11	H97735	HOUSING	1		
12	19H1800	CAP SCREW	1		3/8" X 1-1/2"
	12H304	LOCK WASHER	1		3/8"
	14H812	NUT	1		3/8"
13	19H1732	CAP SCREW	3		3/8" X 1-1/4"
	12H304	LOCK WASHER	3		3/8"
	14H812	NUT	3		3/8"
14	24H1305	WASHER	8		13/32" X 13/16" X 0.065"
15	19H1731	CAP SCREW	2		3/8" X 1"
	12H304	LOCK WASHER	2		3/8"
	14H812	NUT	2		3/8"
16	24H1136	WASHER	2		11/32" X 11/16" X 0.065"
17	19H2020	CAP SCREW	2		5/16" X 1/2"
	12H303	LOCK WASHER	2		5/16"
18	JD7797	LUBRICATION FITTING	1	-562900	STRAIGHT, 1/4"
19	H100678	CHAIN SPROCKET	1		80 TEETH
20	19H1765	CAP SCREW	4	-562900	3/8" X 1-3/4"
	19H1800	CAP SCREW	4		3/8" X 1-1/2"
	12H304	LOCK WASHER	4	-562900	3/8"
	14H812	NUT	4	-562900	3/8"
	N10215	LOCK NUT	4		3/8"
21	KEY	2		(3/8" X 3/8" X 2-1/4") (CUT FROM H64376 IN AH64587 KEY STOCK KIT)
22	AH98212	AUGER	1		
23	LINK CHAIN	1		ROLLER, TYPE 50, 16 MM (5/8") PITCH, 100 LINKS, (ASSEMBLE FROM (2) AP6093H)
24	AH100031	CHAIN SPROCKET	1		43 TEETH
25	LINK CHAIN	1		ROLLER, TYPE 60, 19 MM (3/4") PITCH, 133 LINKS, (ASSEMBLE FROM (2) AB1288H, (3) AB1290H, B5321H, B5234H AND B5235H)
26	G6661E	PRESSED FLANGED HOUSING	2	-463600	
	E62484	PRESSED FLANGED HOUSING	2	463601-	
27	H118396	COVER	1		
28	03H1659	BOLT	4		1/2" X 1"
	12H301	LOCK WASHER	4		1/2"
	14H1040	NUT	4		1/2"

2G25

GRAIN TANK AND UNLOADING AUGER

HP2458 -UN-01JAN94

GRAIN TANK REAR CROSS AUGER



HP 2458

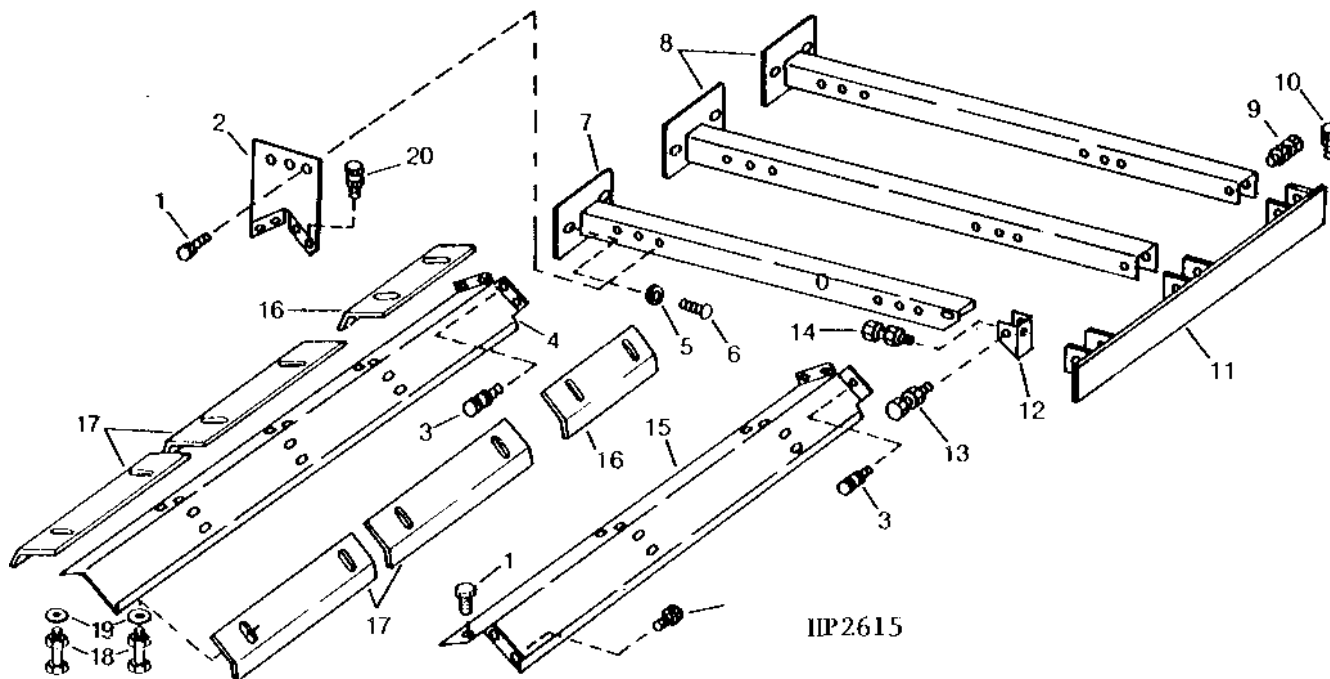
KEY	PART NO.	PART NAME	QTY	SERIAL NO.	REMARKS
1	H65108	SCREW	2		SELF-TAPPING
2	H99577	COVER	1		
3	22H979	SET SCREW	2		3/8" X 3/8"
4	JD9201	ECCENTRIC LOCKING COLLAR	2		
5	H100621	REINFORCEMENT	1		
6	24H1136	WASHER	3		11/32" X 11/16" X 0.065"
7	19H1900	CAP SCREW	3		5/16" X 3/4"
	N10213	LOCK NUT	3		
8	N72620	PRESSED FLANGED HOUSING	2	-463600	
	E62484	PRESSED FLANGED HOUSING	2	463601-	
9	JD9276	BALL BEARING	1		
10	03H1659	BOLT	8		1/2" X 1"
	12H301	LOCK WASHER	8		1/2"
	14H1040	NUT	8		1/2"
11	H98390	REINFORCEMENT	1	-600000	(ARCWELD)
12	AH99635	AUGER	1	-414100	(SUB AH103728)
	AH103728	AUGER	1	-600000	
	AH114716	AUGER	1	600001-	
13	KEY	1		(CUT FROM H64376 IN AH64587 KEY STOCK KIT)
14	22H836	SET SCREW	2		3/8" X 1"
15	14H732	NUT	2		3/8"
16	AH100030	CHAIN SPROCKET	1	-600000	29 TEETH, (SUB AH114726)
	AH114726	CHAIN SPROCKET	1		35 TEETH
17	AH87248	LINK CHAIN	1		
18	G6661		2	-463600	
	E62484	PRESSED FLANGED HOUSING	2	463601-	
19	H118396	COVER	1		

2H1

GRAIN TANK AND UNLOADING AUGER

GRAIN TANK INNER UNLOADING AUGER COVERS AND CHANNELS

HP2615 -UN-01JAN94



KEY	PART NO.	PART NAME	QTY	SERIAL NO.	REMARKS
1	H65108	SCREW	19		SELF-TAPPING
2	H101591	PLATE	5		
3	N10212	SELF-LOCKING SCREW	7		
	N10213	LOCK NUT	7		
4	H102418	COVER	1		FRONT
5	24H1136	WASHER	6		11/32" X 11/16" X 0.065"
6	19H1900	CAP SCREW	6		5/16" X 3/4"
	12H303	LOCK WASHER	6		5/16"
7	AH101933	CHANNEL	1		L.H.
8	AH101301	CHANNEL	2		
9	19H1901	CAP SCREW	3		5/16" X 2"
	12H303	LOCK WASHER	3		5/16"
	14H785	NUT	3		5/16"
10	21H1075	SCREW	2		5/16" X 1"
	N10213	LOCK NUT	2		
11	AH98193	ANGLE	1		REAR SUPPORT
12	H102050	BRACKET	1		
13	19H1901	CAP SCREW	1		5/16" X 2"
	12H303	LOCK WASHER	1		5/16"
	14H785	NUT	1		5/16"
14	19H1936	CAP SCREW	1		3/8" X 3/4"
	N10215	LOCK NUT	1		
15	H99585	COVER	1	-513350	(SUB H104910)
	H104910	COVER	1		REAR
16	H102420	COVER	2		FRONT, ADJUSTABLE
17	H102421	COVER	4		FRONT, ADJUSTABLE
18	03H1540	BOLT	AR		5/16" X 3/4"
	N10213	LOCK NUT	AR		
19	24H1293	WASHER	AR		11/32" X 1-1/16" X 0.120"
20	N10212	SELF-LOCKING SCREW	20	-463600	
	N71292	SELF-LOCKING SCREW	20	463601-	
	N10213	LOCK NUT	20		

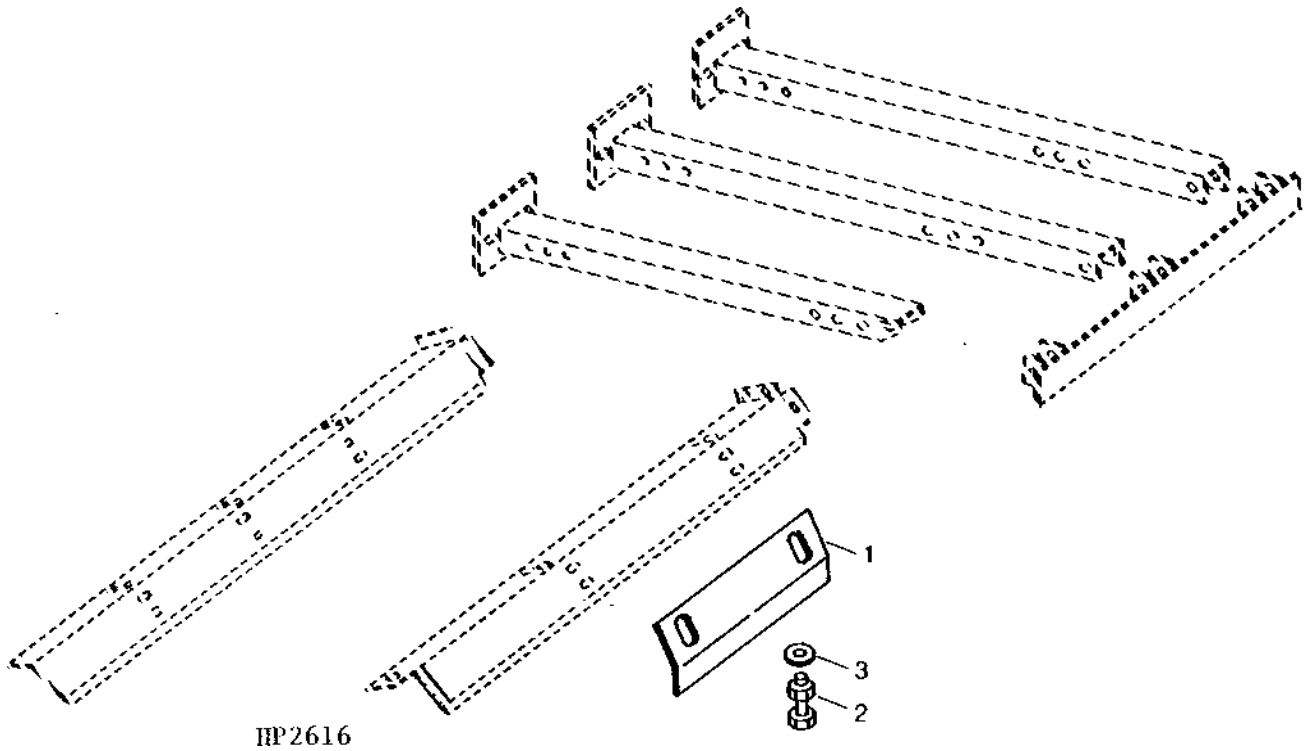
2H2

GRAIN TANK AND UNLOADING AUGER

OPTIONAL ADJUSTABLE FRONT AND REAR GRAIN TANK AUGER COVERS (SERIAL NO. 513351-)

HP2616

-UN-01JAN94



KEY	PART NO.	PART NAME	QTY	SERIAL NO.	REMARKS
1	H109241	COVER	8	(FULL, ADJUSTABLE)	
	H109243	COVER	2	(FULL, ADJUSTABLE)	
2	03H1540	BOLT	AR	5/16" X 3/4"	
	N10213	LOCK NUT	AR		
3	24H1293	WASHER	AR	11/32" X 1-1/16" X 0.120"	

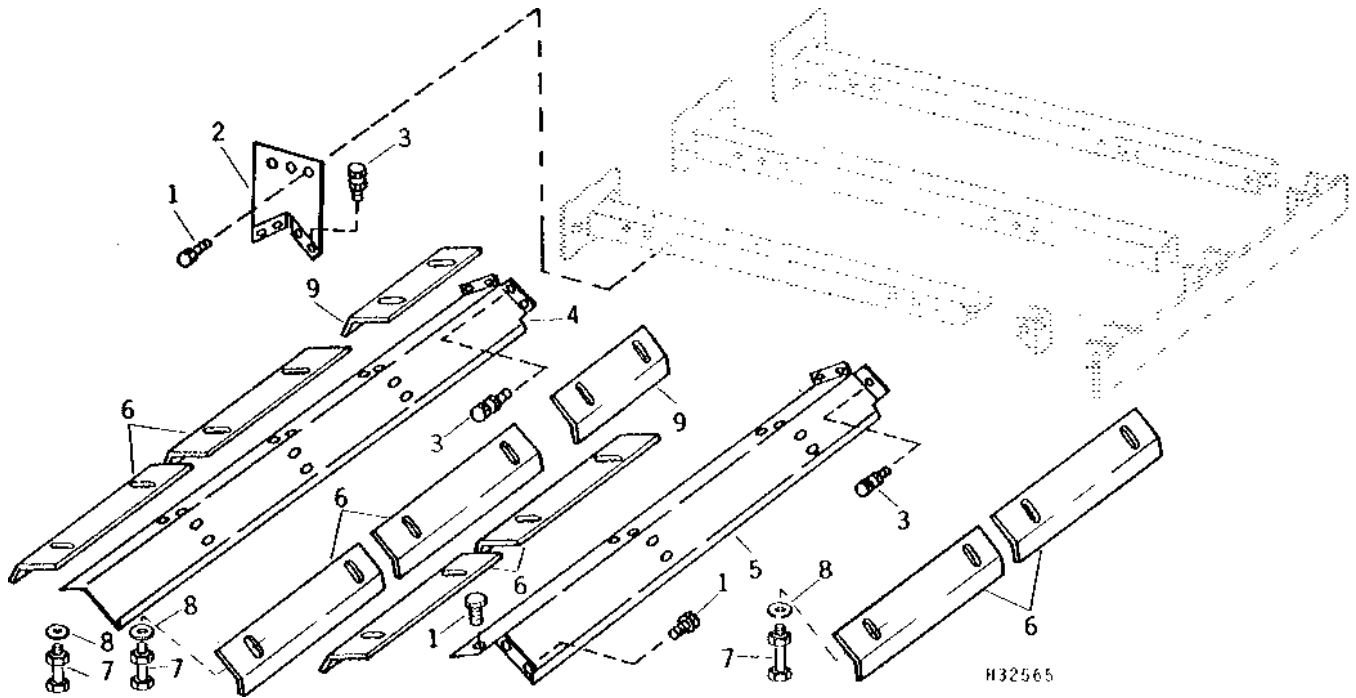
2H3

GRAIN TANK AND UNLOADING AUGER

GRASS SEED UNLOADING AUGER COVERS ATTACHMENT

H32565

-UN-01JAN94



KEY	PART NO.	PART NAME	QTY	SERIAL NO.	REMARKS
1	H65108	SCREW	17		SELF-TAPPING
2	H101592	PLATE	5		
3	N10212	SELF-LOCKING SCREW	15		
	N10213	LOCK NUT	15		
4	H102424	COVER	1		FRONT
5	H102511	COVER	1		REAR
6	H102421	COVER	8		(USE WITH H102424 AND H102511)
7	03H1540	BOLT	20		5/16" X 3/4"
	N10213	LOCK NUT	20		
8	24H1293	WASHER	20		11/32" X 1-1/16" X 0.120"
9	H102420	COVER	2		FRONT, ADJUSTABLE, (USE WITH H102424)

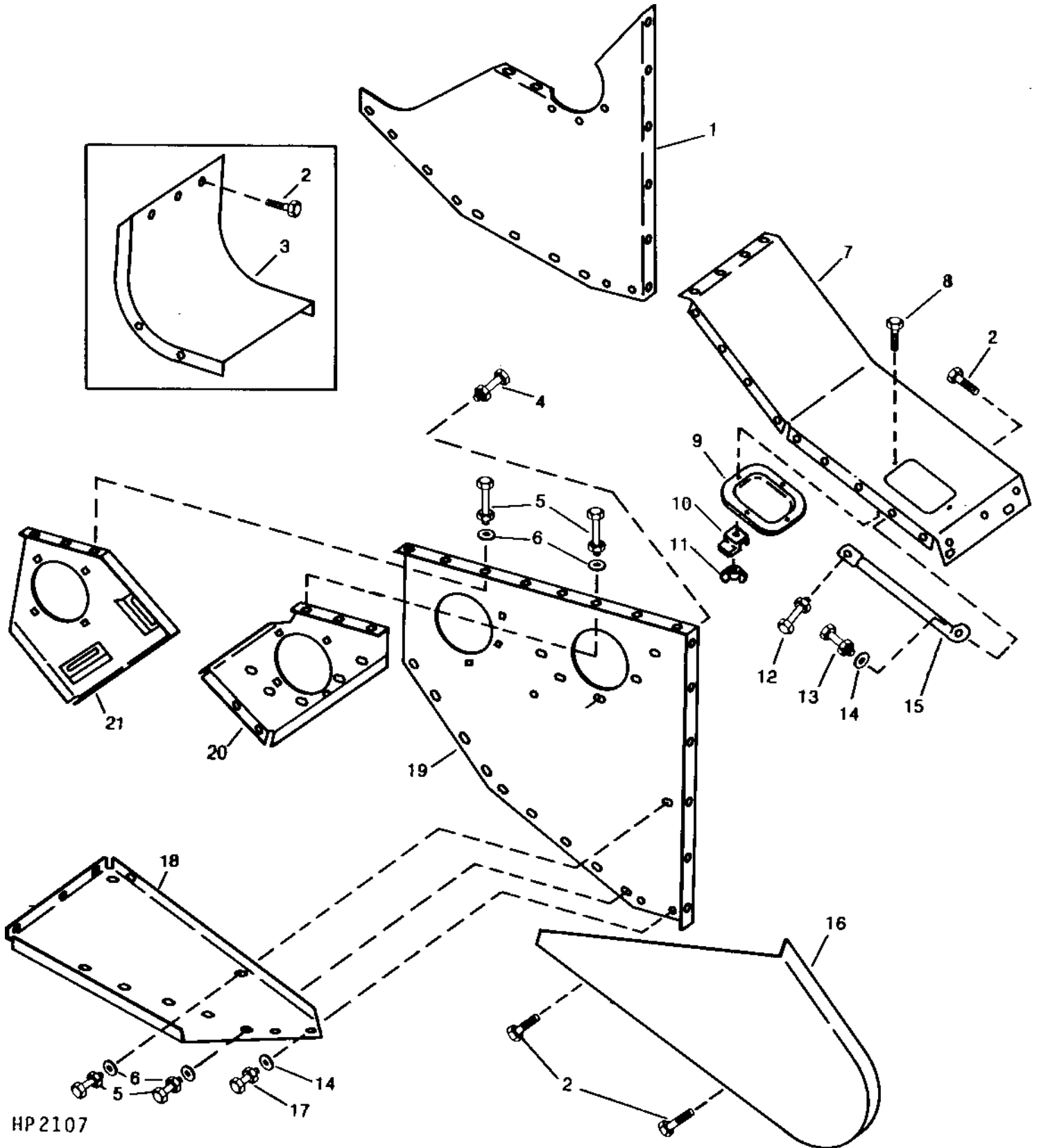
2H4

GRAIN TANK AND UNLOADING AUGER

GRAIN TANK SUMP HOUSING AND SHIELD
(SERIAL NO. -610600)

HP2107

-UN-01JAN94



HP 2107

2H5

GRAIN TANK AND UNLOADING AUGER

GRAIN TANK SUMP HOUSING AND SHIELD - CONTINUED
(SERIAL NO. -610600)

KEY	PART NO.	PART NAME	QTY	SERIAL NO.	REMARKS
1	H98468	SHEET	1		
2	H65108	SCREW	8	-600000	SELF-TAPPING
	H65108	SCREW	5	600001-	SELF-TAPPING
3	H104405	TROUGH	1	414101-600000	
4	N10212	SELF-LOCKING SCREW	4	414101-	
	N10213	LOCK NUT	4	414101-	
5	19H1900	CAP SCREW	35		5/16" X 3/4"
	N10213	LOCK NUT	35		
6	24H1136	WASHER	35		11/32" X 11/16" X 0.065"
7	H98466	FLOOR	1	-513692	(SUB H113719, H89569, (2) P47159, (2) 03H1709, (2) 14H812)
	H113719	FLOOR	1		
8	03H1709	BOLT	2		
9	H89569	DOOR	1		
10	P47159	CLAMP	2		
11	14H819	WING NUT	2		
12	19H1936	CAP SCREW	1		3/8" X 3/4"
	N10213	LOCK NUT	1		
13	19H1800	CAP SCREW	3		3/8" X 1-1/2"
	12H304	LOCK WASHER	3		3/8"
	14H812	NUT	3		3/8"
14	24H1682	WASHER	5		13/32" X 7/8" X 0.120"
15	H100838	PIPE	1		
16	AH97103	SHIELD	1		
17	03H1495	BOLT	4		3/8" X 1-1/2"
	12H304	LOCK WASHER	4		3/8"
	14H812	NUT	4		3/8"
18	H100128	REINFORCEMENT	1		LOWER
19	H98467	SHEET	1		OUTER
20	H100622	REINFORCEMENT	1		REAR AUGER
21	AH98858	REINFORCEMENT	1		FRONT AUGER

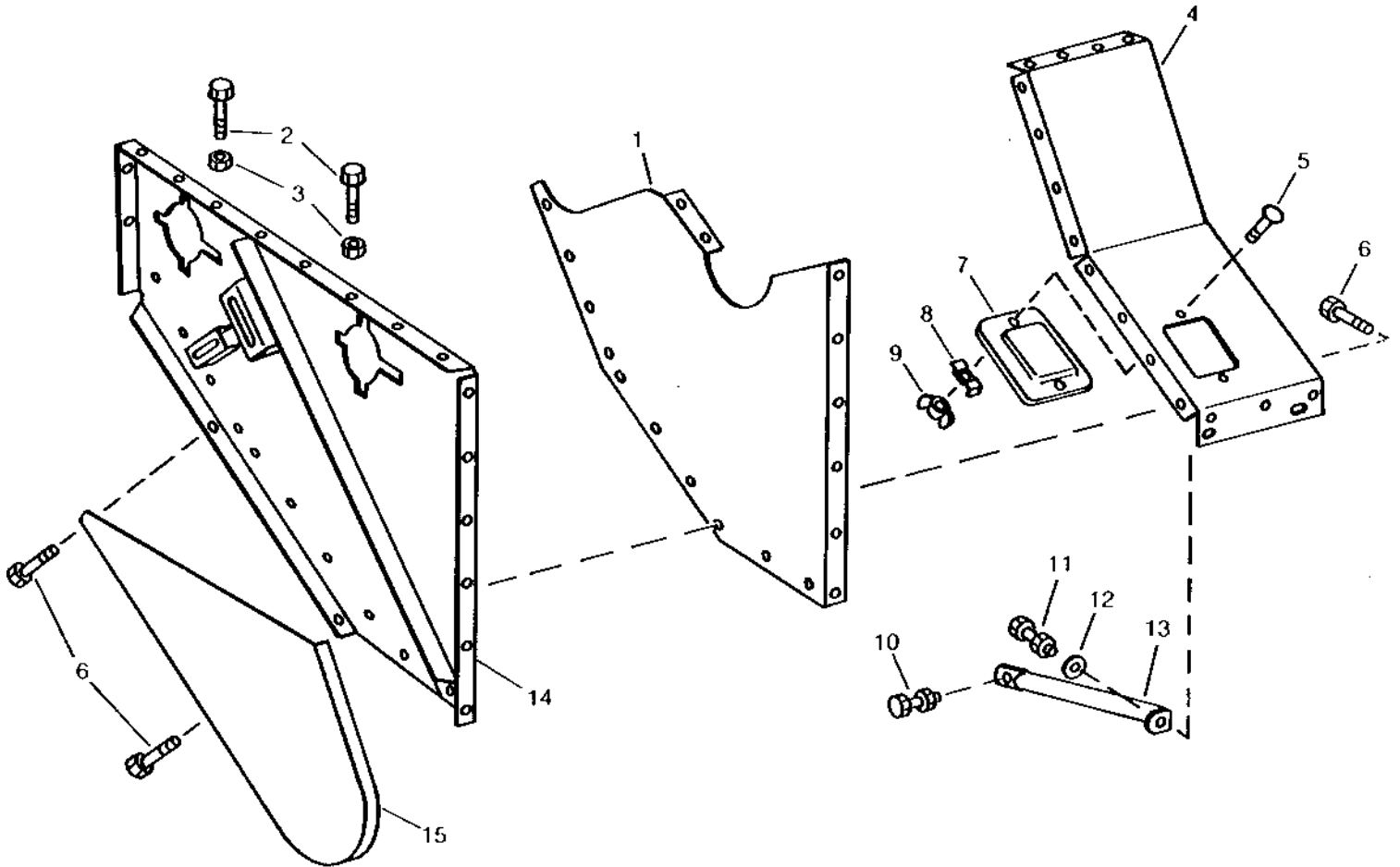
2H6

GRAIN TANK AND UNLOADING AUGER

HP2459

-UN-01JAN94

GRAIN TANK SUMP HOUSING AND SHIELD
(SERIAL NO. 610601-)



HP 2459

2H7

GRAIN TANK AND UNLOADING AUGER

GRAIN TANK SUMP HOUSING AND SHIELD - CONTINUED
(SERIAL NO. 610601-)

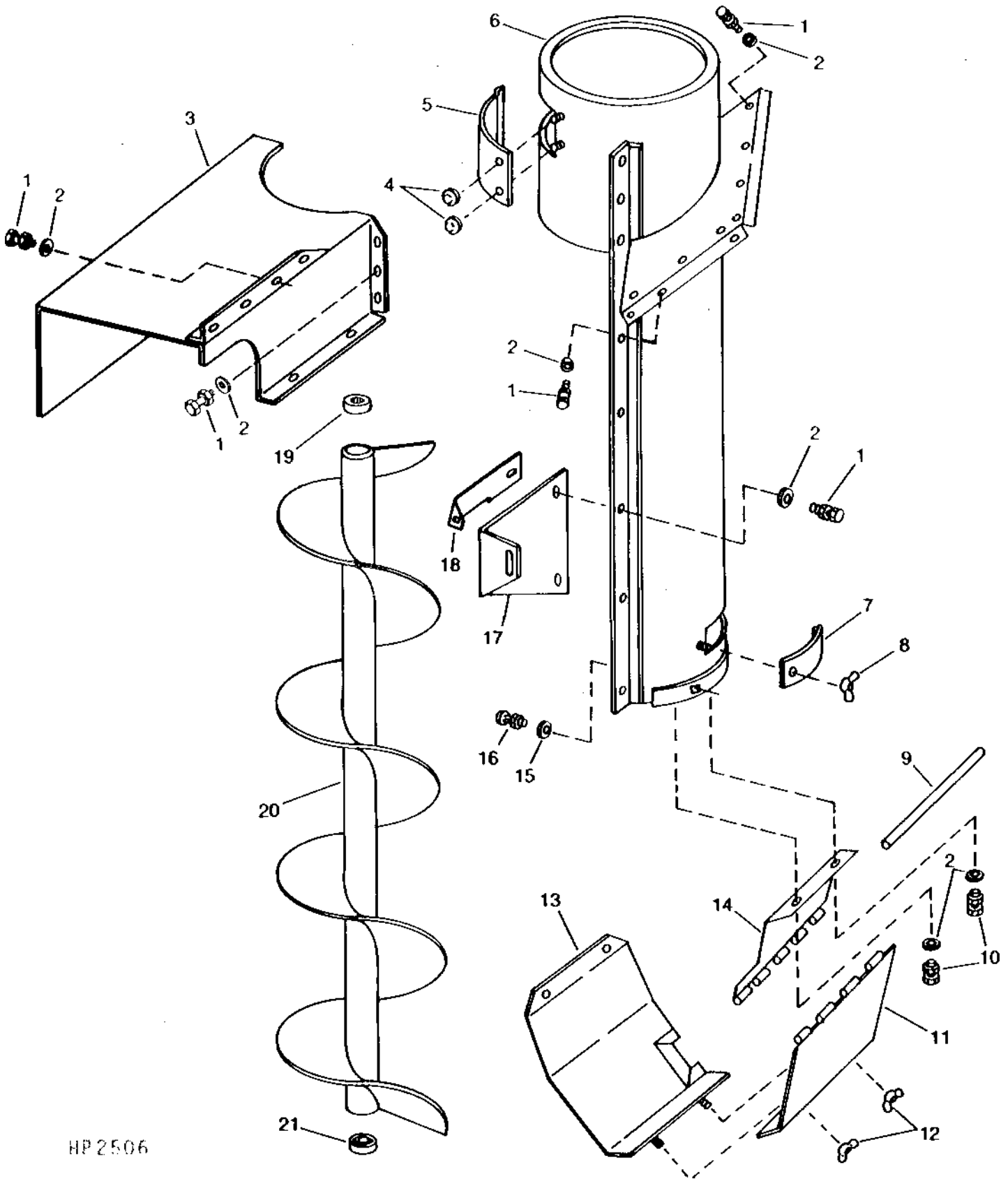
KEY	PART NO.	PART NAME	QTY	SERIAL NO.	REMARKS
1	H98468	SHEET	1		
2	N10212	SELF-LOCKING SCREW	22		
3	N10213	LOCK NUT	22		
4	H113719	FLOOR	1		
5	03H1709	BOLT	2		
6	H65108	SCREW	5		SELF-TAPPING
7	H89569	DOOR	1		
8	P47159	CLAMP	2		
9	14H819	WING NUT	2		5/16"
10	19H1936	CAP SCREW	1		3/8" X 3/4"
	N10213	LOCK NUT	1		
11	19H1800	CAP SCREW	3		3/8" X 1-1/2"
	12H304	LOCK WASHER	3		3/8"
	14H812	NUT	3		3/8"
12	24H1682	WASHER	5		13/32" X 7/8" X 0.120"
13	H100838	PIPE	1		
14	AH114426	SHEET	1	-615300	(SUB AH124736)
	AH124736	SHEET	1		
15	AH97103	SHIELD	1		

2H8

GRAIN TANK AND UNLOADING AUGER

HP2506 -UN-01JAN94

GRAIN TANK VERTICAL AUGER AND HOUSING



HP2506

2H9

GRAIN TANK AND UNLOADING AUGER

GRAIN TANK VERTICAL AUGER AND HOUSING - CONTINUED

KEY	PART NO.	PART NAME	QTY	SERIAL NO.	REMARKS
1	19H1900	CAP SCREW	31		5/16" X 3/4"
	N10213	LOCK NUT	31		
2	24H1136	WASHER	34		11/32" X 11/16" X 0.065"
3	H100561	COVER	1	-414100	(SUB H104834)
	H104834	COVER	1		
4	A22698	NUT	2		
5	H96579	DOOR	1		INSPECTION
6	AH96974	HOUSING	1	-513692	(SUB AH111469 AND H113718)
	AH111469	HOUSING	1	-600000	
	AH114742	HOUSING	1	600001-600456	(SUB AH112734)
	AH112734	HOUSING	1		
7	H113718	DOOR	1		INSPECTION
8	14H819	WING NUT	1		
9	H98895	DOWEL PIN	1		
10	19H1990	CAP SCREW	2		1/2" X 2-1/4"
	12H303	LOCK WASHER	2		5/16"
11	H98892	DOOR	1		LOWER SHIELD
12	14H819	WING NUT	2		5/16"
13	AH97636	SHIELD	1		LOWER
14	H98891	HINGE	1		
15	24H1682	WASHER	3		13/32" X 7/8" X 0.120"
16	03H1557	BOLT	3		3/8" X 1-1/4"
	12H304	LOCK WASHER	3		3/8"
	14H812	NUT	3		3/8"
	19H1800	CAP SCREW	1	600001-	3/8" X 1-1/2"
	N10215	LOCK NUT	1	600001-	
17	H98887	SUPPORT	1		
18	H106088	BRACKET	1		
19	H96754	SPLINED COUPLING	1	600001-620300	(USE WITH AH114741)
	H128861	SPLINED COUPLING	1		
20	AH96529	AUGER	1	-513692	(SUB AH111390)
	AH111390	AUGER	1	-600000	(SUB AH114741)
	AH114741	AUGER	1	-620300	(SUB AH123929)
	AH123929	AUGER	1	620301-	
21	AH95461	EXTERNAL HALF COUPLER	1	600001-620300	(SUB AH123930, THIS APPLICATION)
	AH123930	EXTERNAL HALF COUPLER	1		

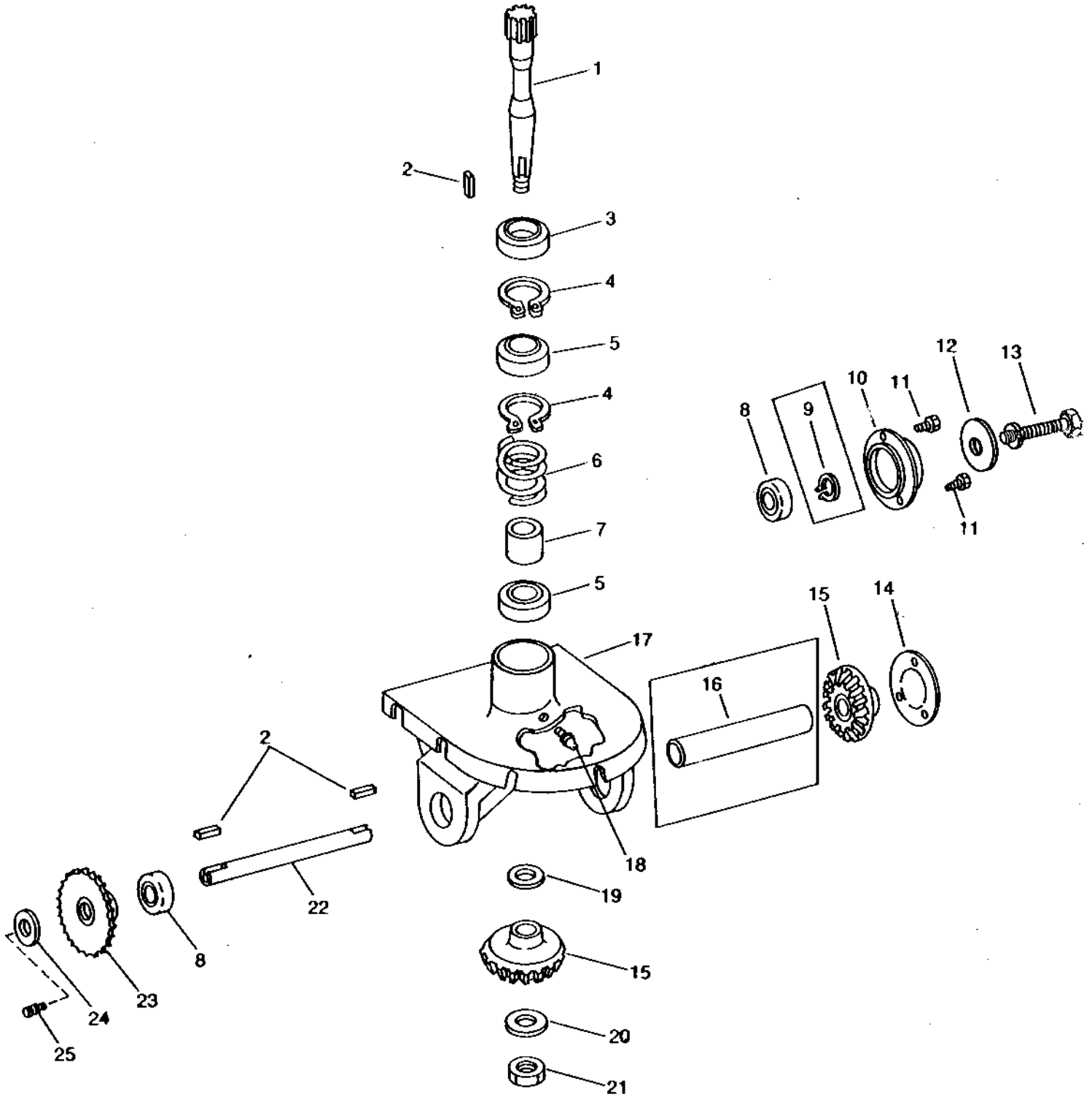
2H10

GRAIN TANK AND UNLOADING AUGER

HP1749

-UN-01JAN94

VERTICAL AUGER LOWER GEAR CASE



HP1749

2H11

GRAIN TANK AND UNLOADING AUGER

VERTICAL AUGER LOWER GEAR CASE - CONTINUED

KEY	PART NO.	PART NAME	QTY	SERIAL NO.	REMARKS
1	H96169	SHAFT	1		LOWER
2	KEY	1		(3/8" X 3/8" X 1-1/4") (CUT FROM H64376 IN AH64587 KEY STOCK KIT)
3	AH90963	SEAL	1		
4	N71921	SNAP RING	2		
5	AH96585	BEARING	2		
6	H96267	SPRING	1		
7	H96149	BUSHING	1		
8	JD8524	BEARING	2		
9	U16068	SNAP RING	1	-562900	
10	H96166	BEARING HOUSING W/O BEARING	1	-562900	(SUB H113053)
	H113053	BEARING HOUSING W/O BEARING	1		
11	19H1731	CAP SCREW	3		3/8" X 1"
	12H304	LOCK WASHER	3		3/8"
12	E55847	WASHER	1	562901-620800	
	P46993	WASHER	1		21/32" X 2-1/4" X 1/4"
13	19H1793	CAP SCREW	1	562901-620800	1/2" X 2"
	19H3119	CAP SCREW	1		5/8" X 1-7/8"
	12H301	LOCK WASHER	1	562901-620800	1/2"
	12H294	LOCK WASHER	1		5/8"
14	H96297	SHIM	1		.25 MM (.010")
	H96298	SHIM	1		.51 MM (.020")
15	H96294	GEAR	2		23 TEETH
16	H98045	SPACER	1	-562900	
17	H96117	CASE	1	-600000	(SUB H113224)
	H113224	CASE	1		
18	JD7819	LUBRICATION FITTING	1		STRAIGHT, 1/4"
19	24H1533	SHIM	1		0.018"
20	24H1433	WASHER	1		29/32" X 2-1/4" X 1/4"
21	H29623	LOCK NUT	1		
22	H98044	SHAFT	1	-562900	(SUB H113052, H113053, E55847, 19H1793 AND 12H301)
	H113052	SHAFT	1	-620800	(SUB H135232, H113053, P46993, 19H3119 AND 12H294)
	H135232	SHAFT	1		
23	AH96592	CHAIN SPROCKET	1		18 TEETH
24	E55847	WASHER	1	-620800	
	P46993	WASHER	1		16.662 X 57.150 X 6.350 MM (21/32" X 2-1/4" X 1/4")
25	19H1793	CAP SCREW	1	-620800	1/2" X 2"
	12H301	LOCK WASHER	1	-620800	1/2"
	19H3119	CAP SCREW	1		5/8" X 1-7/8"
	12H294	LOCK WASHER	1		5/8"

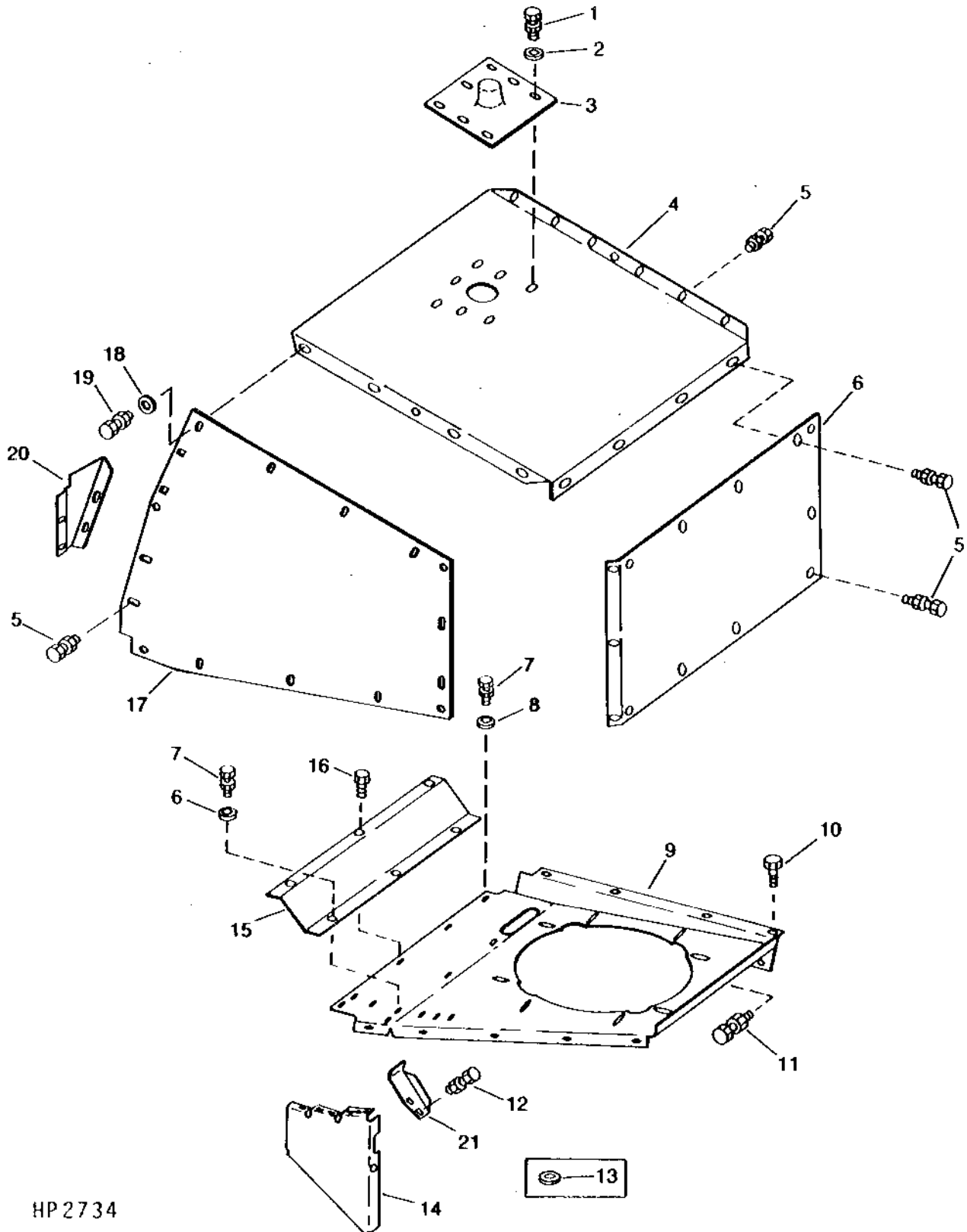
2H12

GRAIN TANK AND UNLOADING AUGER

HP2734

-UN-01JAN94

HORIZONTAL UNLOADING AUGER SWIVEL SHROUD



HP 2734

2H13

GRAIN TANK AND UNLOADING AUGER

HORIZONTAL UNLOADING AUGER SWIVEL SHROUD - CONTINUED

KEY	PART NO.	PART NAME	QTY	SERIAL NO.	REMARKS
1	19H1936	CAP SCREW	6		3/8" X 3/4"
	N10215	LOCK NUT	6	-600000	
	E55662	FLANGE NUT	6	600001-	
2	24H1305	WASHER	6		13/32" X 13/16" X 0.065"
3	AH97804	PLATE	1		WITH BUSHING
4	H98152	SHEET	1		TOP
5	N10212	SELF-LOCKING SCREW	40	-600000	
	N10213	LOCK NUT	40	-600000	
	N167650	CAP SCREW	35	600001-	
	A22698	NUT	35	600001-	
6	H98150	SHEET	1		FRONT
7	19H1900	CAP SCREW	7		5/16" X 3/4"
	N10213	LOCK NUT	7		
8	24H1136	WASHER	7		11/32" X 11/16" X 0.065"
9	AH101530	SUPPORT	1		
10	H76139	SCREW	4		SELF-TAPPING
11	N10214	SELF-LOCKING SCREW	5	-600000	
	N10215	LOCK NUT	5	-600000	
	19H3411	CAP SCREW	5	600001-	3/8" X 1-1/8"
	E55662	FLANGE NUT	5	600001-	
12	N10214	SELF-LOCKING SCREW	6	-600000	
	N10215	LOCK NUT	6	-600000	
	19H3411	CAP SCREW	6	600001-	3/8" X 1-1/8"
	E55662	FLANGE NUT	6	600001-	
13	24H1305	WASHER	6	-600000	13/32" X 13/16" X 0.065"
14	H102052	SUPPORT	1	-600000	L.H. (SUB H115727)
	H115727	SUPPORT	1		L.H.
15	H99904	PLATE	1		
16	H65108	SCREW	10		SELF-TAPPING
17	H99902	SHEET	1	-620300	SIDE, (SUB H131585 AND H131588)
	H131588	SHEET	1		SIDE, (USE WITH H131585)
18	24H1136	WASHER	5	600001-	11/32" X 11/16" X 0.065"
19	19H1905	CAP SCREW	5	600001-	5/16" X 1"
	12H303	LOCK WASHER	5	600001-	5/16"
	14H785	NUT	5	600001-	5/16"
20	H99787	COVER	1	-620300	
	H131585	BRACKET	1		(USE WITH H131588)
21	H132063	BRACKET	1		

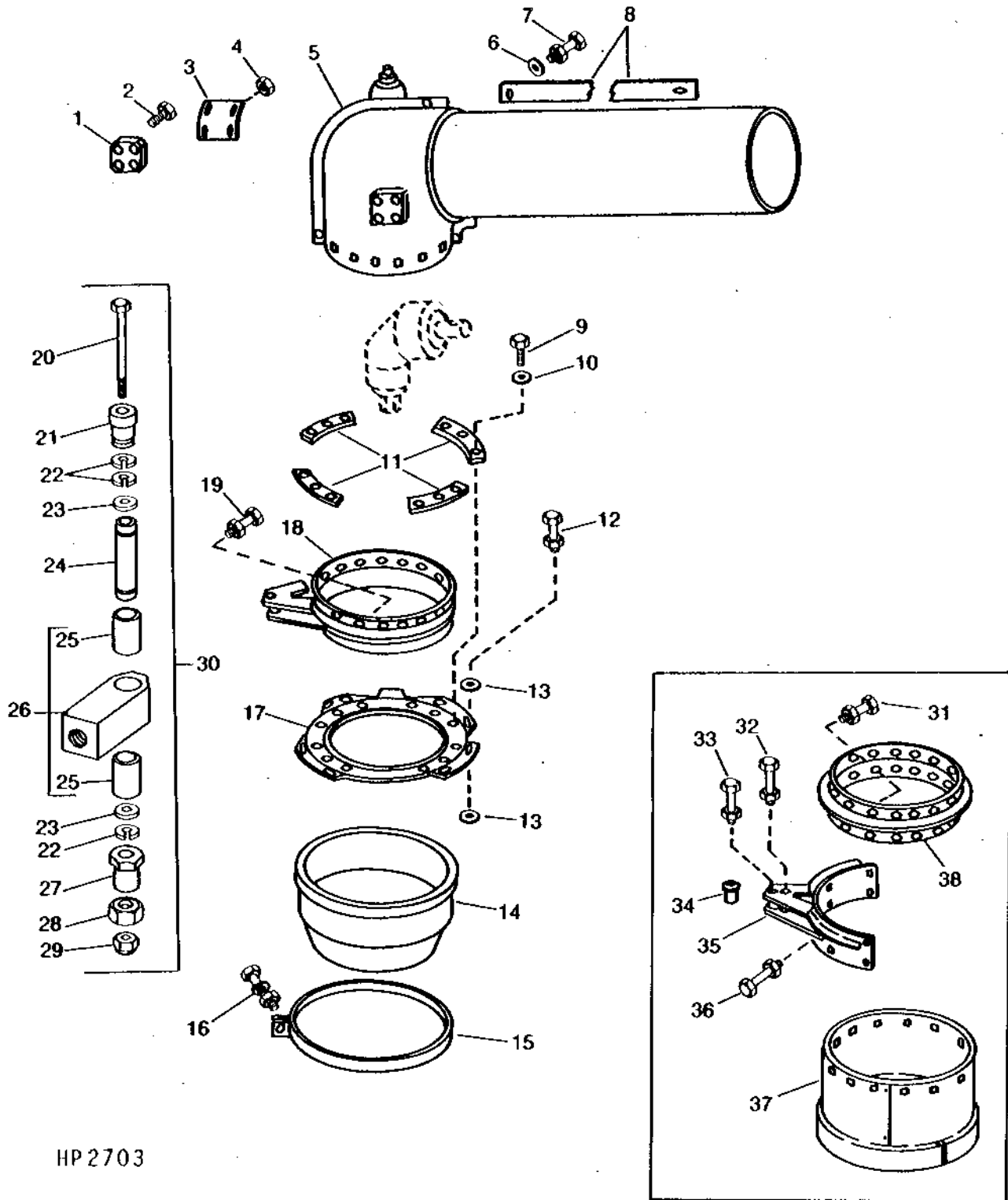
2H14

GRAIN TANK AND UNLOADING AUGER

HORIZONTAL UNLOADING AUGER SWIVEL
(SERIAL NUMBER -620800)

HP2703

-UN-01JAN94



HP 2703

2H15

GRAIN TANK AND UNLOADING AUGER

HORIZONTAL UNLOADING AUGER SWIVEL - CONTINUED
(SERIAL NUMBER -620800)

KEY	PART NO.	PART NAME	QTY	SERIAL NO.	REMARKS
1	AH95415	SUPPORT	1		
2	19H1731	CAP SCREW	4		3/8" X 1"
	12H304	LOCK WASHER	4		3/8"
3	H96652	DOOR	1	-600000	(SUB AH106900, THIS APPLICATION)
	AH106900	DOOR	1		(WITH SEAL)
4	A22698	NUT	4		
5	AH99356	HOUSING	1	-600000	(SUB AH114642)
	AH114642	HOUSING	1		
6	24H1305	WASHER	1		13/32" X 13/16" X 0.065"
7	19H1732	CAP SCREW	1		3/8" X 1-1/4"
	12H304	LOCK WASHER	1	-600000	3/8"
	14H812	NUT	1	-600000	3/8"
	E55662	FLANGE NUT	1	600001-	
8	H102080	STRAP	1		
9	19H1900	CAP SCREW	12		5/16" X 3/4"
	12H303	LOCK WASHER	12		5/16"
10	24H1136	WASHER	12		11/32" X 11/16" X 0.065"
11	H99903	SECTOR	4		
12	19H1732	CAP SCREW	8		3/8" X 1-1/4"
	12H304	LOCK WASHER	8		3/8"
	14H812	NUT	8		3/8"
13	24H1305	WASHER	16		13/32" X 13/16" X 0.065"
14	H108805	SEAL	1	463901-600000	
	H118568	SEAL	1	600001-	
15	H107102	BAND	1	463901-600000	STEEL
	H118569	BAND	1	600001-	
16	19H2440	CAP SCREW	1	463901-600000	5/16" X 2-1/2"
	19H3588	CAP SCREW	1	600001-	5/16" X 3-1/2"
	12H303	LOCK WASHER	1	463901-	5/16"
	14H785	NUT	1	463901-	5/16"
17	H100204	SUPPORT	1		
18	H115290	RING	1	600001-620300	
19	03H2304	BOLT	12	600001-	3/8" X 1"
	12H304	LOCK WASHER	12	600001-	3/8"
	14H846	NUT	12	600001-610600	3/8", (SUB 14H1080, THIS APPLICATION)
	14H1080	NUT	12		
20	19H3354	CAP SCREW	1	600001-620300	5/16" X 4-1/4", (SUB 19H2342, THIS APPLICATION)
	19H2342	CAP SCREW	1		5/16" X 4-1/2"
21	H116794	SPACER	2	600001-620300	(SUB H127591)
	H127591	SPACER	1		
22	40M1822	SNAP RING	3	620301-	
23	24H1685	WASHER	1	600001-620300	11/32" X 47/64" X 0.083", (SUB 24H1362, THIS APPLICATION)
	24H1362	WASHER	2		
24	H116795	TRUNNION	1	600001-620300	(SUB H127593)
	H127593	TRUNNION	1		
25	H96455	BUSHING	2	620301-	
26	AH122494	END	1	620301-	
27	H128262	BOLT	1	620301-	
28	14H821	NUT	1	620301-	5/8"
29	M40699	NUT	1	600001-	
30	AH124017	KIT	1	620301-	
31	03H2304	BOLT	24	-600000	3/8" X 1"
	12H304	LOCK WASHER	24	-600000	3/8"
	14H846	NUT	24	-600000	3/8"
32	19H1868	CAP SCREW	1	-600000	1/2" X 3-3/4"
	U12622	LOCK NUT	1	-600000	
33	19H2043	CAP SCREW	1	-414100	5/16" X 3-1/2"
	19H2493	CAP SCREW	1	414101-600000	5/16" X 3-3/4"
	M40699	NUT	1	-600000	
34	H102045	BUSHING	1	-600000	
35	AH102043	SLEEVE	1	-600000	UPPER ASSEMBLY
36	03H1500	BOLT	8	-362900	3/8" X 1"
	12H304	LOCK WASHER	8	-362900	3/8"
	14H812	NUT	8	-362900	3/8"
	03H2304	BOLT	8	362901-600000	3/8" X 1"
	12H304	LOCK WASHER	8	362901-600000	3/8"
	14H846	NUT	8	362901-600000	3/8"
37	AH101927	ADAPTER	1	-600000	
38	H96301	RING	1	-600000	

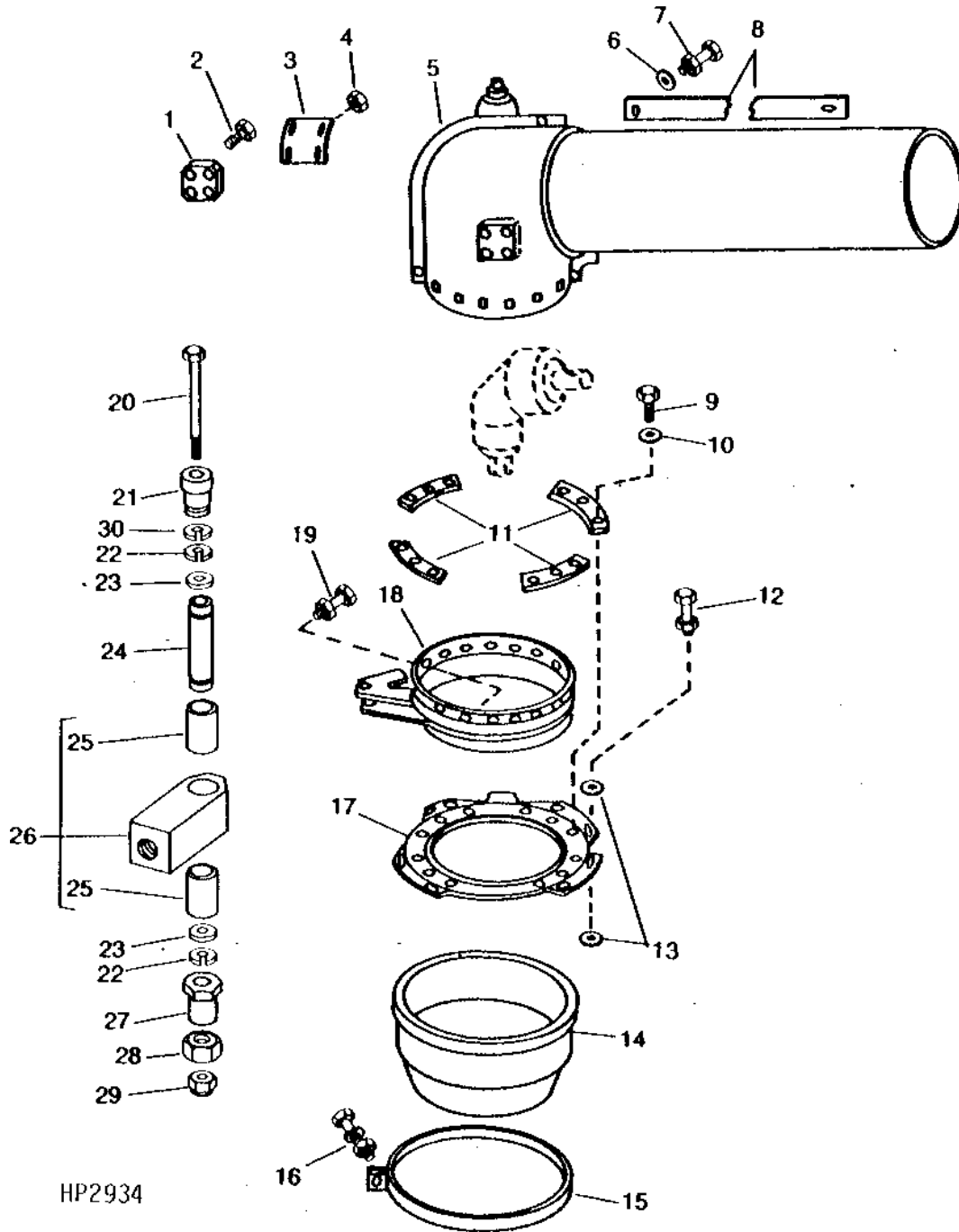
2H16

GRAIN TANK AND UNLOADING AUGER

HORIZONTAL UNLOADING AUGER SWIVEL (SERIAL NUMBER 620801-)

HP2934

-UN-01JAN94



HP2934

2H17

GRAIN TANK AND UNLOADING AUGER

HORIZONTAL UNLOADING AUGER SWIVEL - CONTINUED
(SERIAL NUMBER 620801-)

KEY	PART NO.	PART NAME	QTY	SERIAL NO.	REMARKS
1	AH95415	SUPPORT	1		
2	19H1731	CAP SCREW	4	3/8" X 1"	
	12H304	LOCK WASHER	4	3/8"	
3	AH106900	DOOR	1	(WITH SEAL)	
4	A22698	NUT	4	7.925 MM (5/16")	
5	AH114642	HOUSING	1		
6	24H1305	WASHER	1	13/32" X 13/16" X 0.065"	
7	19H1732	CAP SCREW	1	3/8" X 1-1/4"	
	E55662	FLANGE NUT	1	9.525 MM (3/8")	
8	H102080	STRAP	1		
9	19H1900	CAP SCREW	12	5/16" X 3/4"	
	12H303	LOCK WASHER	12	5/16"	
10	24H1136	WASHER	12	11/32" X 11/16" X 0.065"	
11	H99903	SECTOR	4		
12	19H1732	CAP SCREW	8	3/8" X 1-1/4"	
	12H304	LOCK WASHER	8	3/8"	
	14H812	NUT	8	3/8"	
13	24H1305	WASHER	16	13/32" X 13/16" X 0.065"	
14	H118568	SEAL	1		
15	H118569	BAND	1		
16	19H3588	CAP SCREW	1	5/16" X 3-1/2"	
	12H303	LOCK WASHER	1	5/16"	
	14H785	NUT	1	5/16"	
17	H100204	SUPPORT	1		
18	H133362	RING	1		
19	03H2304	BOLT	12	3/8" X 1"	
	12H304	LOCK WASHER	12	3/8"	
	14H1080	NUT	12	3/8"	
20	19H2054	CAP SCREW	1	3/8" X 4-3/4"	
21	H136521	BUSHING	1		
22	U13102	SNAP RING	2		
23	24H1422	SHIM	2	0.018"	
24	H136522	TRUNNION	1		
25	R50875	BUSHING	2	-625700	
26	AH127482	END	1	-625700	
	H137225	END	1		
27	H136523	BOLT	1		
28	14H732	NUT	1	3/8"	
29	H99923	LOCK NUT	1	9.525 MM (3/8")	
30	40M1822	SNAP RING	1		

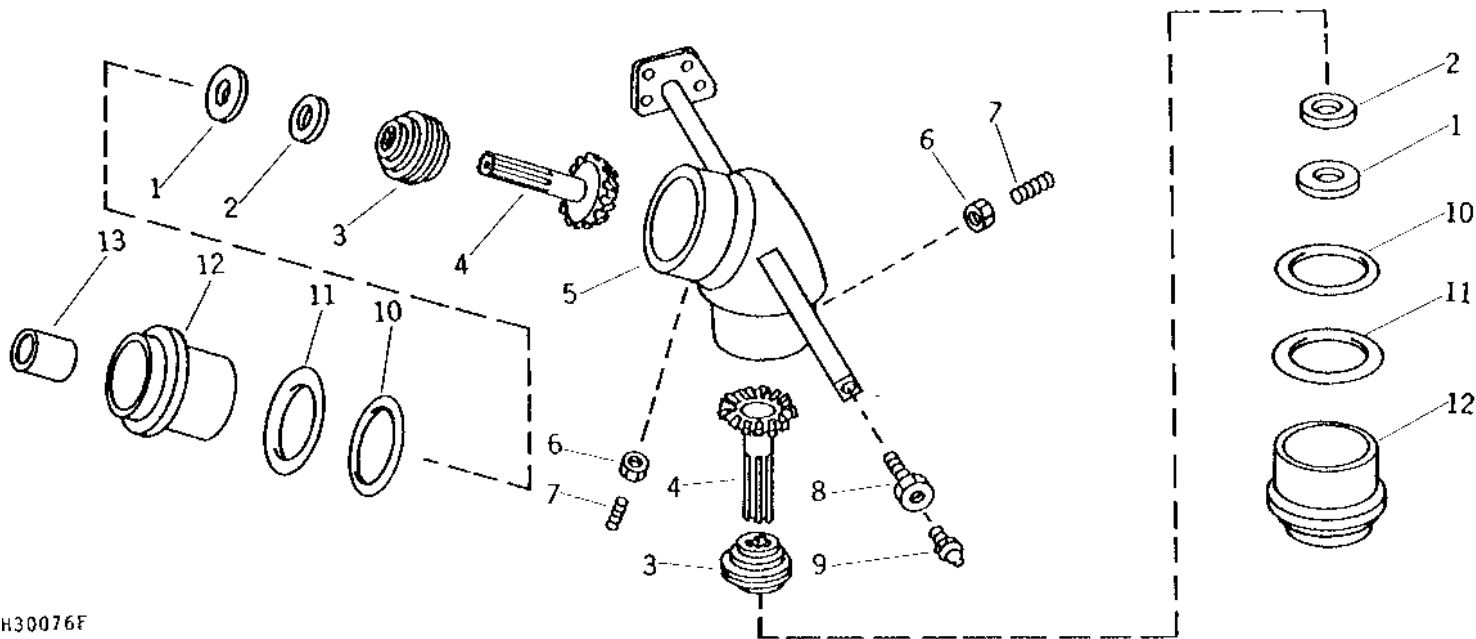
MEMORANDA

2H18

GRAIN TANK AND UNLOADING AUGER

H30076F -UN-01JAN94

HORIZONTAL UNLOADING AUGER DRIVE GEAR CASE



H30076F

KEY	PART NO.	PART NAME	QTY	SERIAL NO.	REMARKS
1	AH98118	SEAL	2		
2	H99613	WASHER	2		
3	AH94661	BEARING	2		(USE WITH H99613)
4	H96148	GEAR	2		BEVEL, 18 TEETH
5	H96346	GEAR CASE	1		
6	14H732	NUT	4		3/8"
7	22H845	SET SCREW	4		3/8" X 3/4"
8	H96228	SCREW	1		
	12H294	LOCK WASHER	1		5/8"
9	JD7797	LUBRICATION FITTING	1		STRAIGHT, 1/4"
10	H96361	SHIM	2		12 MM (.005")
11	H96362	SHIM	2		25 MM (.010")
12	H96345	BEARING HOUSING W/O BEARING	2		
13	N72989	BUSHING	1		

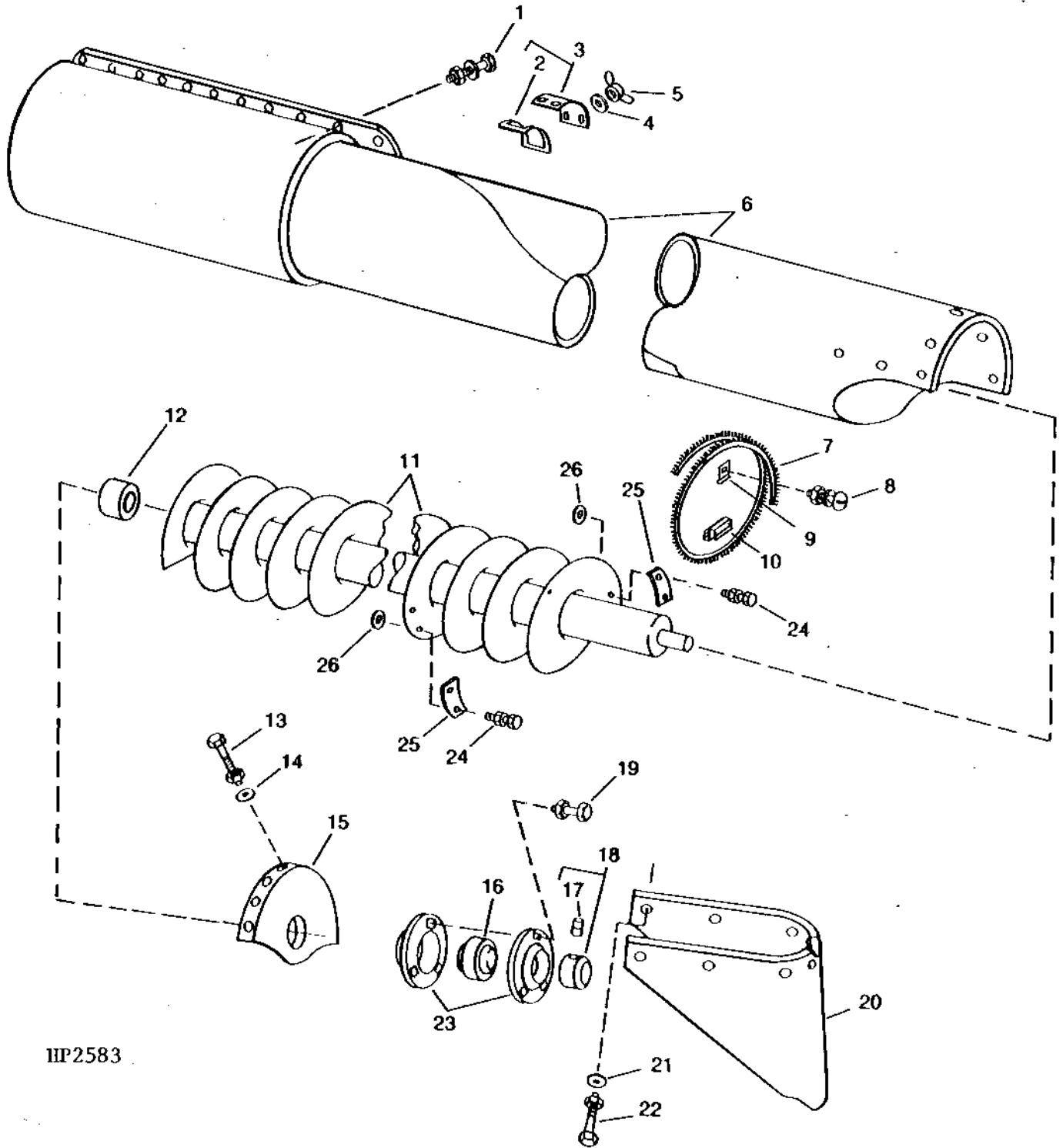
2H19

GRAIN TANK AND UNLOADING AUGER

HP2583

-UN-01JAN94

HORIZONTAL UNLOADING AUGER AND HOUSING



HP2583

2H20

GRAIN TANK AND UNLOADING AUGER

HORIZONTAL UNLOADING AUGER AND HOUSING - CONTINUED

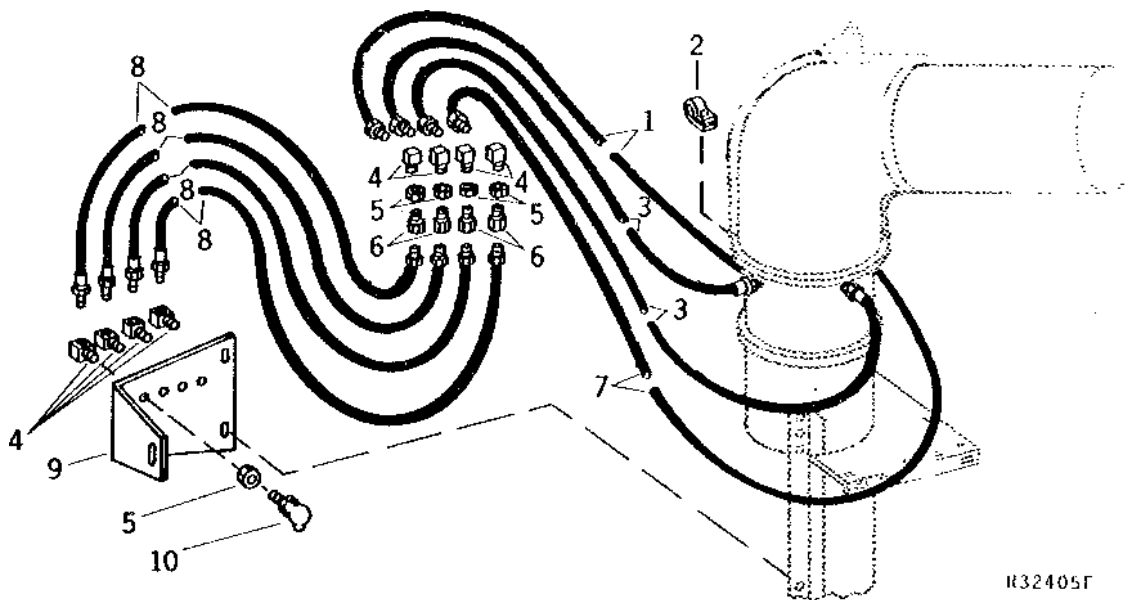
KEY	PART NO.	PART NAME	QTY	SERIAL NO.	REMARKS
1	19H2117	BOLT	11	-362900	5/16" X 1-1/8"
	19H2915	CAP SCREW	11	362901-	5/16" X 1-1/4"
	12H303	LOCK WASHER	11		5/16"
	14H785	NUT	11		5/16"
2	ISOLATOR	1		(USE WITH H96652) (MAKE FROM H81330)
3	H96652	DOOR	1	-600000	(USE WITH AH112865) (SUB AH106900, THIS APPLICATION)
	AH106900	DOOR	1		
4	24H1224	WASHER	4		11/32" X 1" X 1/16", (USE WITH H96652 AND AH106900)
5	14H819	WING NUT	4		5/16", (USE WITH H96652 AND AH106900)
6	AH95390	HOUSING	1	-600000	(SUB AH112865, AH106900, (4) 24H1224, (4) 14H819 AND H81330)
	AH112865	HOUSING	1		(USE WITH 17 FT. AUGER)
7	AH111354	SEAL	1		
8	21H1029	SCREW	3		5/16" X 3/4"
	12H303	LOCK WASHER	3		5/16"
	14H785	NUT	3		5/16"
9	H113717	CLIP	3		
10	H114709	CLIP	6		
11	AH96555	AUGER	1	-600000	(SUB AH113501)
	AH113501	AUGER	1	-610600	(SUB AH123437)
	AH123437	AUGER	1	610601-	17 FT.
12	H116292	SPLINED COUPLING	1	-610600	
	H127921	SPLINED COUPLING	1	610601-	
13	19H1900	CAP SCREW	11	-414100	5/16" X 3/4"
	N10213	LOCK NUT	11	-414100	
	N10212	SELF-LOCKING SCREW	5	414101-600000	
	N10213	LOCK NUT	5	414101-600000	
	N167650	CAP SCREW	5	600001-	
	A22698	NUT	5	600001-	
14	24H1136	WASHER	11	-414100	11/32" X 11/16" X 0.065"
15	H96645	CAP	1		
16	JD9273	BALL BEARING	1	-600000	
	JD8665	BALL BEARING	1	600001-	
17	22H897	SET SCREW	1		1/4" X 1/4"
18	JD8554	ECCENTRIC LOCKING COLLAR	1		
19	03H1709	BOLT	3		5/16" X 1"
	12H303	LOCK WASHER	3		5/16"
	14H785	NUT	3		5/16"
20	H96655	SPOUT	1	-463600	(SUB H109093)
	H109093	SPOUT	1		
21	24H1293	WASHER	6		11/32" X 1-1/16" X 0.120"
	24H1293	WASHER	8	414101-	11/32" X 1-1/16" X 0.120"
22	19H1905	CAP SCREW	8	414101-	5/16" X 1"
	N10213	LOCK NUT	5	414101-600000	
	A22698	NUT	8	600001-	
23	C13434	PRESSED FLANGED HOUSING	2	-600000	
	H103264	PRESSED FLANGED HOUSING	2	600001-	
24	03H1495	BOLT	1	610601-	3/8" X 1-1/2"
	03H1557	BOLT	1	610601-	3/8" X 1-1/4"
	H99923	LOCK NUT	AR	610601-	
25	H119566	STRIP	AR	610601-	
	H119567	STRIP	AR	610601-	
	H119568	STRIP	AR	610601-	
26	24H1300	WASHER	AR	610601-	25/64" X 2" X 0.220"
	24H1311	WASHER	AR	610601-	13/32" X 1-1/4" X 0.220"

2H21

GRAIN TANK AND UNLOADING AUGER

H32405 -UN-01JAN94

UNLOADING AUGER LUBE BANK SYSTEM



R32405F

KEY	PART NO.	PART NAME	QTY	SERIAL NO.	REMARKS
1	H94729	HYDRAULIC HOSE	1	863 MM (34") LONG	
2	AH76882	CLIP	1	CUSHION	
3	H99212	HYDRAULIC HOSE	2	483 MM (19") LONG	
4	E12378	ELBOW FITTING	8	90°	
5	E12379	NUT	8		
6	E12859	LUBRICATION FITTING	4		
7	H98303	HYDRAULIC HOSE	1	737 MM (29") LONG	
8	H94728	HYDRAULIC HOSE	4	559 MM (22") LONG	
9	H98887	SUPPORT	1		
10	JD7806	LUBRICATION FITTING	4	90°, 1/4"	

MEMORANDA

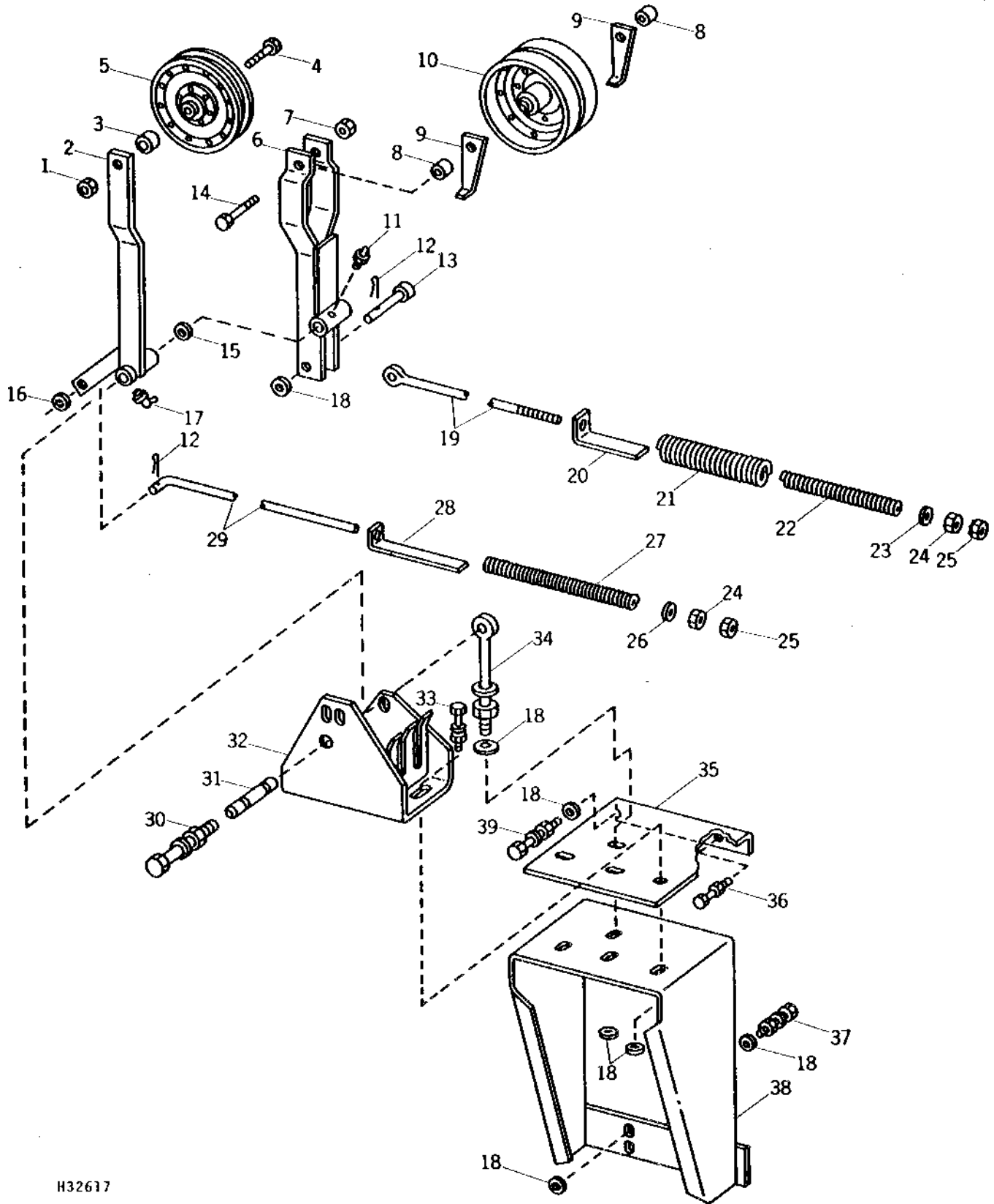
2H23

MAJOR DRIVES

H32617

-UN-01JAN94

PRIMARY COUNTERSHAFT AND UNLOADING AUGER DRIVE TIGHTENERS



H32617

2H24

MAJOR DRIVES

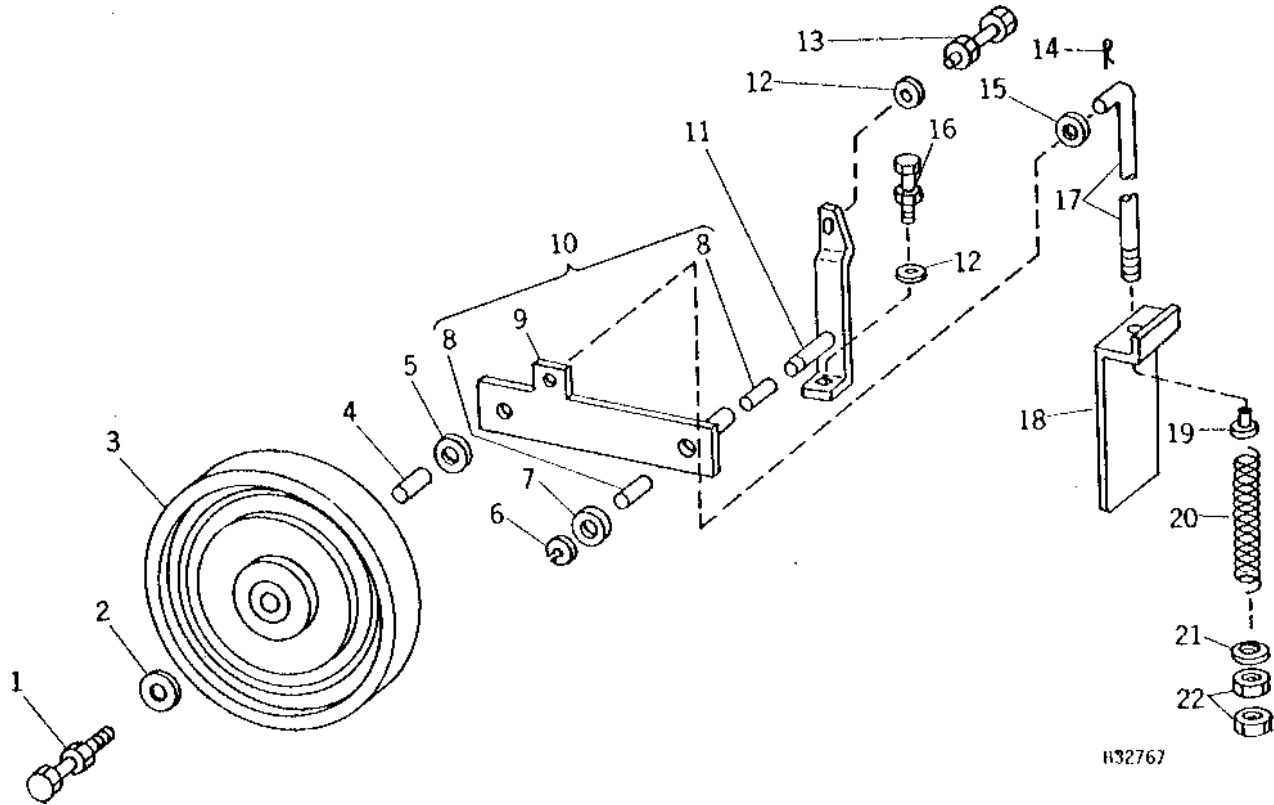
PRIMARY COUNTERSHAFT AND UNLOADING AUGER DRIVE TIGHTENERS - CONTINUED

KEY	PART NO.	PART NAME	QTY	SERIAL NO.	REMARKS
1	14H1039	NUT	1		5/8"
	12H294	LOCK WASHER	1		5/8"
2	AH92308	ARM	1		IDLER
3	28H2515	BUSHING	1		3/4" X 3/4"
4	19H1863	CAP SCREW	1		5/8" X 3"
5	AH66202	SHEAVE	1		197 MM (7-3/4") DIA.
6	AH92349	ARM	1		IDLER
7	H79449	LOCK NUT	1	-615300	
	K40014	LOCK NUT	1	615301-	
8	H94353	BUSHING	2		
9	H94387	BRACKET	2		
10	AH93318	IDLER	1		203 MM (8") DIA.
11	JD7797	LUBRICATION FITTING	1		STRAIGHT, 1/4"
12	11H236	COTTER PIN	2		1/8" X 1"
13	H24979	PIN	1		
14	19H1992	CAP SCREW	1		1/2" X 4"
15	24H1274	WASHER	AR		49/64" X 1-1/4" X 0.048"
16	24H1368	WASHER	1		21/32" X 1-5/16" X 0.090"
17	JD7788	LUBRICATION FITTING	1		SELF-TAPPING, 45°, 1/4"
18	24H1111	WASHER	15		17/32" X 1-1/16" X 0.090"
19	H94507	EYEBOLT	1		
20	H94511	ANGLE	1		
21	H94510	SPRING	1		OUTER
22	H94509	SPRING	1		INNER
23	24H1106	WASHER	1		11/16" X 1-3/4" X 0.134"
24	14H1039	NUT	2		5/8"
25	14H821	NUT	2		5/8"
26	24H1368	WASHER	1		21/32" X 1-5/16" X 0.090"
27	C1960N	SPRING	1		
28	H93497	ANGLE	1		
29	H93482	BOLT	1		
30	08H4460	CAP SCREW	1		1/2" X 7-1/2"
	12H301	LOCK WASHER	1		1/2"
	14H1040	NUT	1		1/2"
31	H92862	TRUNNION	1		
32	AH92309	BRACKET	1		
33	03H1522	BOLT	3		1/2" X 1-1/4"
	12H301	LOCK WASHER	3		1/2"
	14H1040	NUT	3		1/2"
34	H76498	EYEBOLT	1		
	14H1040	NUT	2		1/2"
	12H301	LOCK WASHER	1		1/2"
35	H94479	SUPPORT	1		
36	19H1731	CAP SCREW	2		3/8" X 1"
	12H304	LOCK WASHER	2		3/8"
	14H812	NUT	2		3/8"
37	19H1781	CAP SCREW	4		1/2" X 3-1/2"
	12H301	LOCK WASHER	4		1/2"
	14H1040	NUT	4		1/2"
38	AH93610	BRACE	1		
39	19H1815	CAP SCREW	1		1/2" X 1-1/4"
	12H301	LOCK WASHER	1		1/2"
	14H1040	NUT	1		1/2"

2H25

H32767 -UN-01JAN94

FEEDER HOUSE DRIVE IDLER

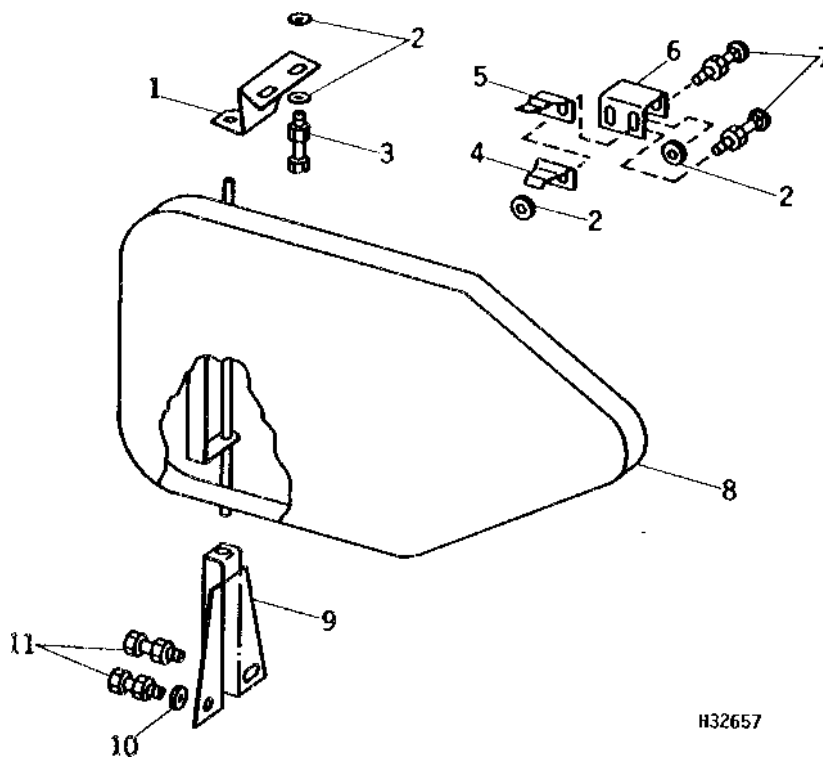


H32767

KEY	PART NO.	PART NAME	QTY	SERIAL NO.	REMARKS
1	03H1858	BOLT	1	5/8" X 3-1/2"	
	12H294	LOCK WASHER	1	5/8"	
	14H1039	NUT	1	5/8"	
2	24H1362	WASHER	1	41/64" X 1" X 0.075"	
3	AH94450	IDLER	1	222 MM (8-3/4") DIA.	
4	28H2499	BUSHING	1	3/4" X 5/8"	
5	24H1341	WASHER	1	17/32" X 15/16" X 0.060"	
6	P46614	SNAP RING	1		
7	24H1413	WASHER	1	57/64" X 1-3/8" X 0.048"	
8	H98655	BUSHING	2		
9	AH93334	ARM	1	IDLER	
10	AH97338	ARM	1	IDLER, WITH BUSHINGS	
11	AH93333	PIVOT	1	IDLER	
12	24H1682	WASHER	2	13/32" X 7/8" X 0.120"	
13	03H1557	BOLT	1	3/8" X 1-1/4"	
	12H304	LOCK WASHER	1	3/8"	
	14H812	NUT	1	3/8"	
14	11H236	COTTER PIN	1	1/8" X 1"	
15	24H1882	WASHER	1	17/32" X 3/4" X 0.060"	
16	19H1731	CAP SCREW	1	3/8" X 1"	
	12H304	LOCK WASHER	1	3/8"	
	14H812	NUT	1	3/8"	
17	H94335	BOLT	1		
18	H94334	GAUGE	1		
19	H97513	BUSHING	1		
20	H94333	SPRING	1		
21	24H1625	WASHER	1	17/32" X 1" X 0.120"	
22	14H1040	NUT	2	1/2"	

H32657 -UN-01JAN94

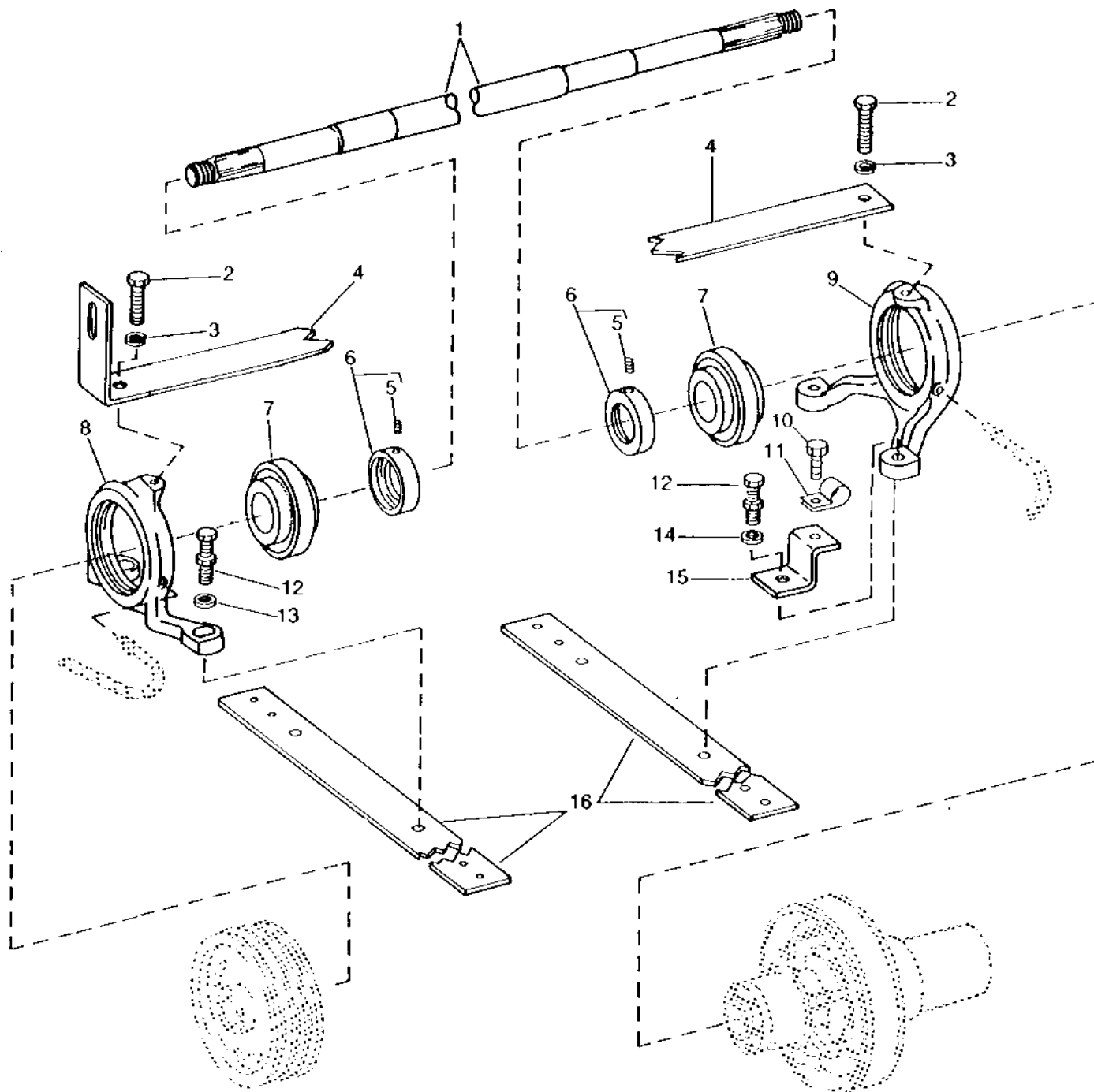
PRIMARY COUNTERSHAFT SHIELD
(SERIAL NO. -562900)



H32657

KEY	PART NO.	PART NAME	QTY	SERIAL NO.	REMARKS
1	H94780	BRACKET	1		UPPER
2	24H1136	WASHER	8		11/32" X 11/16" X 0.065"
3	19H1905	CAP SCREW	2		5/16" X 1"
	14H785	NUT	2		5/16"
4	H94748	PLATE	1		
5	H94747	LATCH	1		
6	H95869	BRACKET	1		
7	03H1709	BOLT	4		5/16" X 1"
	14H785	NUT	4		5/16"
8	AH93760	SHIELD	1		(SUB AH113767)
	AH113767	SHIELD	1		
9	AH94713	BRACKET	1		
10	24H1305	WASHER	1		13/32" X 13/16" X 0.065"
11	19H1731	CAP SCREW	2		3/8" X 1"
	12H304	LOCK WASHER	2		3/8"
	14H812	NUT	2		3/8"

PRIMARY COUNTERSHAFT AND MOUNTINGS



HP1490

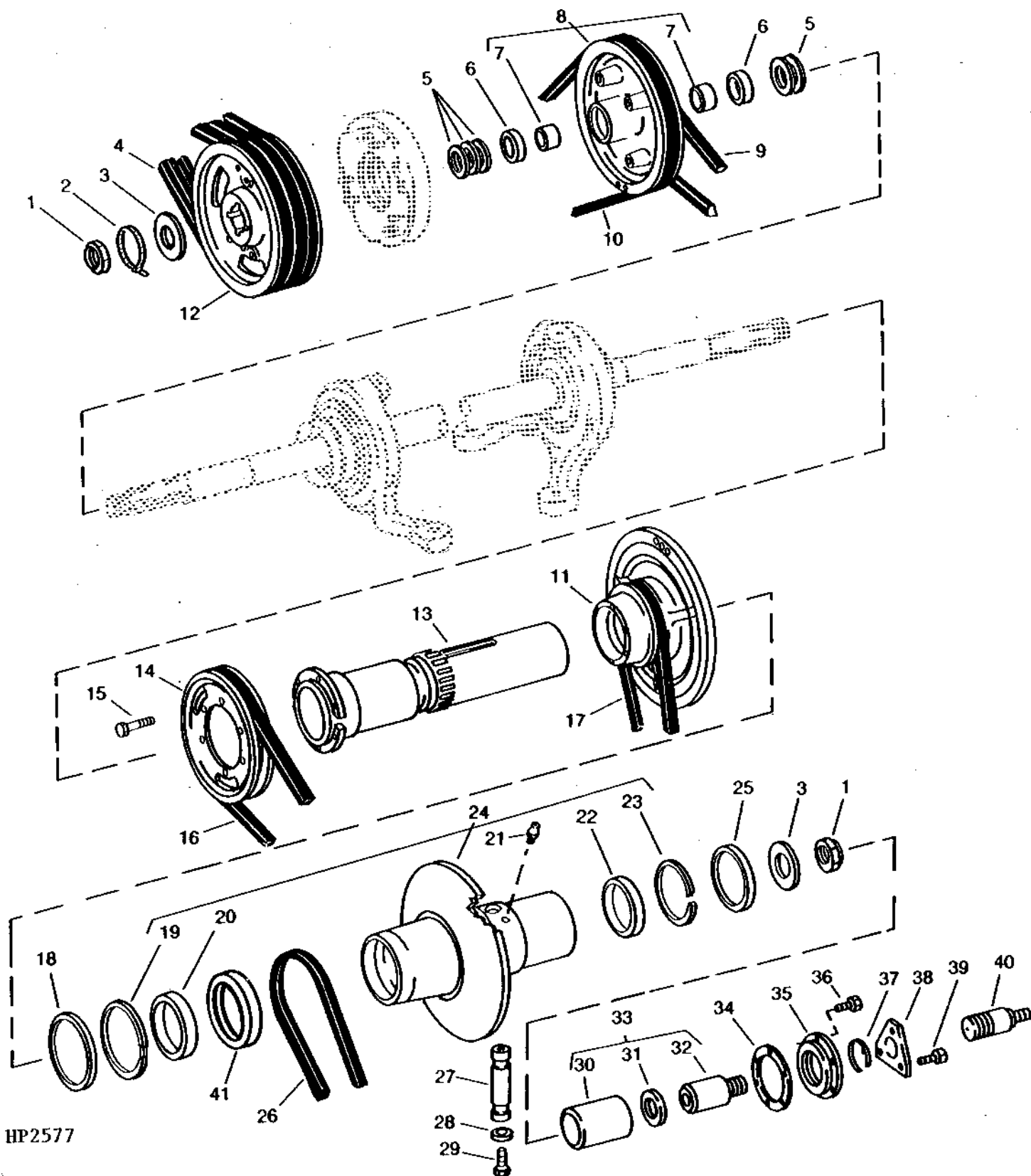
PRIMARY COUNTERSHAFT AND MOUNTINGS - CONTINUED

KEY	PART NO.	PART NAME	QTY	SERIAL NO.	REMARKS
1	H99253	SHAFT	1		
2	19H1815	CAP SCREW	2		1/2" X 1-1/4"
3	12H301	LOCK WASHER	1		1/2"
4	H96234	STRAP	1		
5	22H821	SET SCREW	2		1/2" X 1/2"
6	JD9428	ECCENTRIC LOCKING COLLAR	1		R.H. (WITH SET SCREW)
	JD8668	ECCENTRIC LOCKING COLLAR	1		L.H. (WITH SET SCREW)
7	JD9429	BALL BEARING	1		R.H.
	JD8669	BALL BEARING	1		L.H.
8	H92514	HOUSING	1		BEARING, L.H.
9	H92513	HOUSING	1	-562900	(SUB H113890)
	H113890	HOUSING	1		BEARING, R.H.
10	H65108	SCREW	1		SELF-TAPPING
11	AH77279	CLIP	1		
12	19H1945	CAP SCREW	4		1/2" X 3-1/4"
	12H301	LOCK WASHER	4		1/2"
	14H1040	NUT	4		1/2"
13	24H1211	WASHER	2		9/16" X 1-3/8" X 0.105"
14	24H1340	WASHER	2		33/64" X 7/8" X 0.075"
15	H97576	SUPPORT	1		
16	H92517	BAR	2	-562900	(SUB H113915)
	H113915	BAR	2		

PRIMARY COUNTERSHAFT SHEAVES (SERIAL NO. -562900)

HP2577

-UN-01JAN94



HP2577

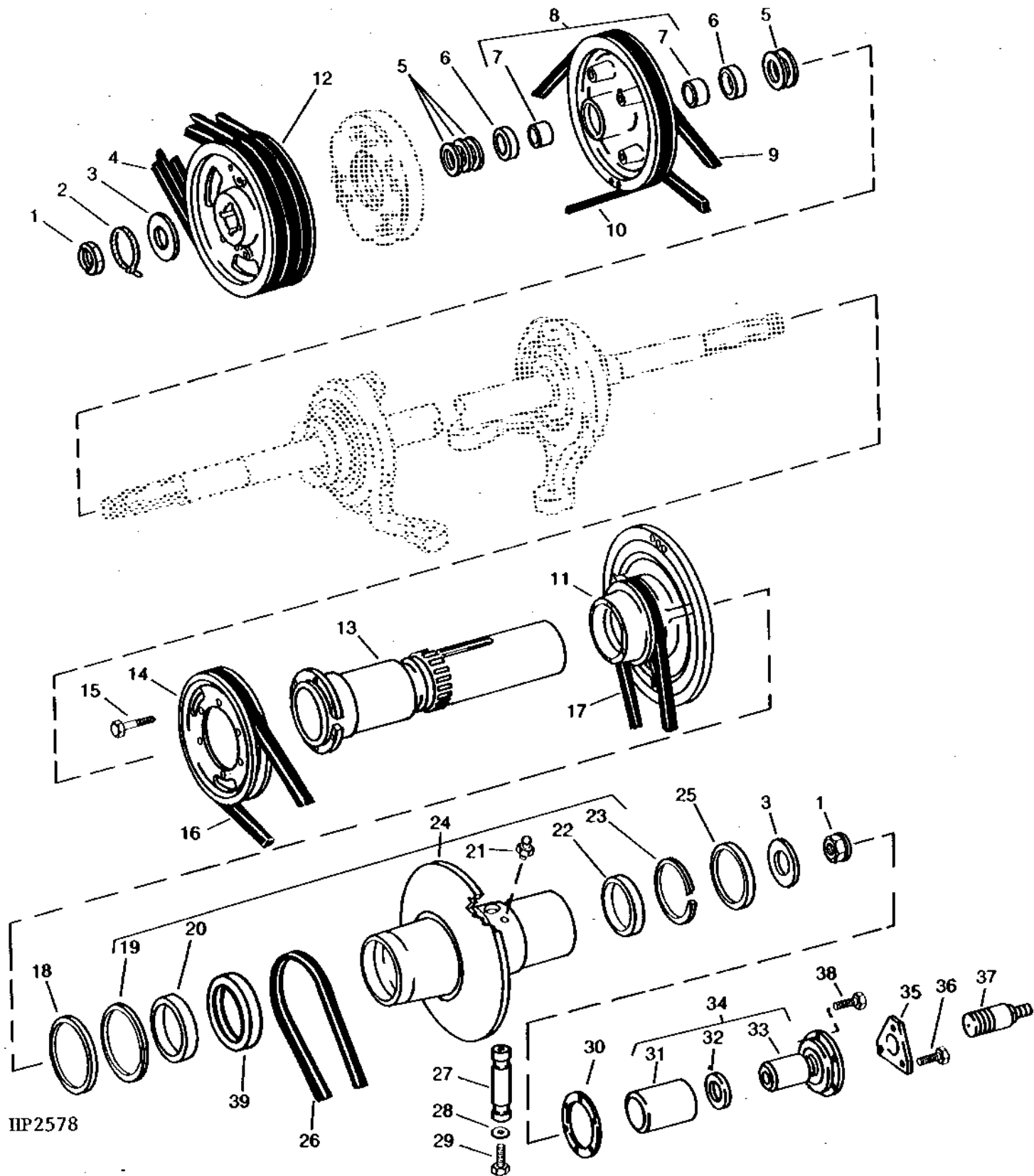
PRIMARY COUNTERSHAFT SHEAVES - CONTINUED
(SERIAL NO. -562900)

KEY	PART NO.	PART NAME	QTY	SERIAL NO.	REMARKS
1	H82620	LOCK NUT	2		
2	H77698	TIE BAND	1		
3	24H1668	WASHER	2		1-17/64" X 2-1/4" X 0.134"
4	H94508	BELT	1		
5	H95481	WASHER	5	-414100	(SUB 24H1577)
	24H1577	WASHER	5		1-25/32" X 2-7/8" X 0.036"
6	AH76193	SEAL	2		
7	H96996	BUSHING	2		
8	AH96107	SHEAVE	1		(FIXED DRIVE FEEDER HOUSE AND BELT PICKUP DRIVE)
9	H86274	BELT	1		(HYDRAULIC PICKUP DRIVE)
10	H76030	BELT	1		(FIXED DRIVE FEEDER HOUSE)
11	H93627	SHEAVE	1		213 MM (8-3/4") DIA.
12	H92684	SHEAVE	1	-414100	(SUB H107310)
	H107310	SHEAVE	1		389 MM (15-15/64") DIA.
13	H102532	HOUSING	1	-463600	(SUB H110196)
	H110196	HOUSING	1	-562900	(SUB H113744)
	H113744	HOUSING	1		
14	H94268	SHEAVE	1		292 MM (11-1/2") DIA.
15	19H1800	CAP SCREW	6		3/8" X 1-1/2"
	12H304	LOCK WASHER	6		3/8"
16	H101436	BELT	1		(STRAW CHOPPER)
17	H81222	BELT	1		(SECONDARY COUNTERSHAFT DRIVE)
18	AH94853	SEAL	1		
19	H93631	SNAP RING	1		
20	H93630	BUSHING	1		
21	JD7759	LUBRICATION FITTING	1		STRAIGHT, 1/8", (SPECIAL)
22	H86011	SPACER	1	-562900	
23	P48691	SNAP RING	1		
24	AH92908	SHEAVE	1	-562900	412 MM (16-1/4") DIA.
25	AH87141	SEAL	1		
26	H113749	BELT	1		
27	H102547	PIN	1		
28	24H1176	WASHER	2		13/32" X 1-1/4" X 0.100"
29	19H1936	CAP SCREW	2		3/8" X 3/4"
30	H97305	HYDRAULIC CYLINDER BARREL	1	-513250	(SUB AH92615)
31	H97306	SEAL	1		
32	H97304	PISTON	1	-513250	(SUB AH92615)
33	AH92615	CYLINDER	1		(REMANUFACTURED)
34	H102533	SHIM	4		
35	H93385	PLATE	1		
36	19H1732	CAP SCREW	6		3/8" X 1-1/4"
	12H304	LOCK WASHER	6		3/8"
37	R26219	SNAP RING	1		
38	H93386	RETAINER	1		
39	19H1900	CAP SCREW	3		5/16" X 3/4"
	12H303	LOCK WASHER	3		5/16"
40	AH92255	COUPLING	1		
41	H110209	BUMPER	1	463601-	(USE WITH SLOW SPEED CYLINDER DRIVE)

PRIMARY COUNTERSHAFT SHEAVES (SERIAL NO. 562901-)

HP2578

-UN-01JAN94



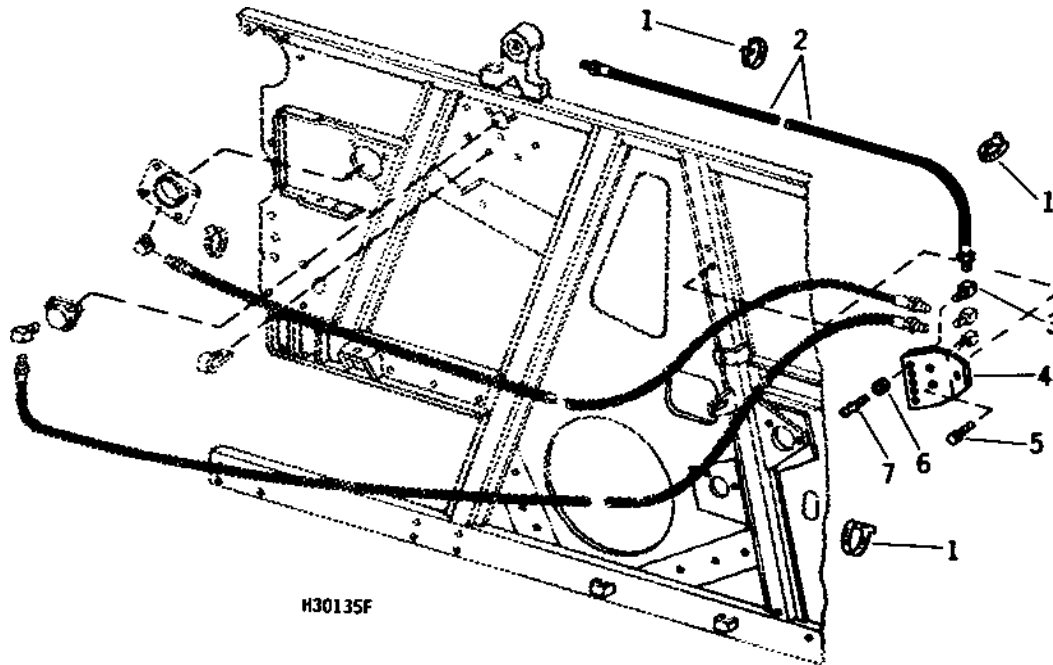
HP2578

PRIMARY COUNTERSHAFT SHEAVES - CONTINUED
(SERIAL NO. 562901-)

KEY	PART NO.	PART NAME	QTY	SERIAL NO.	REMARKS
1	H82620	LOCK NUT	2		
2	H77698	TIE BAND	1		
3	24H1668	WASHER	2		1-17/64" X 2-1/4" X 0.134"
4	H94508	BELT	1		
5	24H1577	WASHER	5		1-25/32" X 2-7/8" X 0.036"
6	AH76193	SEAL	2		
7	H96996	BUSHING	2		
8	AH96107	SHEAVE	1		(FIXED DRIVE FEEDER HOUSE AND BELT PICKUP DRIVE)
9	H86274	BELT	1		(HYDRAULIC PICKUP DRIVE)
10	H76030	BELT	1		(FIXED DRIVE FEEDER HOUSE)
11	H93627	SHEAVE	1		213 MM (8-3/8") DIA.
12	H107310	SHEAVE	1		389 MM (15-15/64") DIA.
13	H113744	HOUSING	1		
14	H94268	SHEAVE	1		292 MM (11-1/2") DIA.
15	19H1800	CAP SCREW	6		3/8" X 1-1/2"
	12H304	LOCK WASHER	6		3/8"
16	H101436	BELT	1		(STRAW CHOPPER)
17	H81222	BELT	1		(SECONDARY COUNTERSHAFT DRIVE)
18	AH94853	SEAL	1		
19	H93631	SNAP RING	1		
20	H93630	BUSHING	1		
21	JD7759	LUBRICATION FITTING	1		STRAIGHT, 1/8", (SPECIAL)
22	H113746	BUSHING	1		
23	P48691	SNAP RING	1		
24	AH111379	SHEAVE	1		413 MM (16-1/4") DIA. (MARKED H113754)
25	AH87141	SEAL	1		
26	H113749	BELT	1		
27	H102547	PIN	1		
28	24H1176	WASHER	2		13/32" X 1-1/4" X 0.100"
29	19H1936	CAP SCREW	2		3/8" X 3/4"
30	H102533	SHIM	4		
31	HYDRAULIC CYLINDER BARREL	1		(SUB AH108867)
32	H97306	SEAL	1		
33	PISTON	1		(SUB AH108867)
34	AH108867	HYDRAULIC CYLINDER	1		
35	H93386	RETAINER	1		
36	19H1900	CAP SCREW	3		5/16" X 3/4"
	12H303	LOCK WASHER	3		5/16"
37	AH92255	COUPLING	1		
38	19H1732	CAP SCREW	6		3/8" X 1-1/4"
	12H304	LOCK WASHER	6		3/8"
39	H110209	BUMPER	1		(USE WITH SLOW SPEED CYLINDER DRIVE)

PRIMARY COUNTERSHAFT LUBE BANK SYSTEM
(LEFT-HAND SIDE)

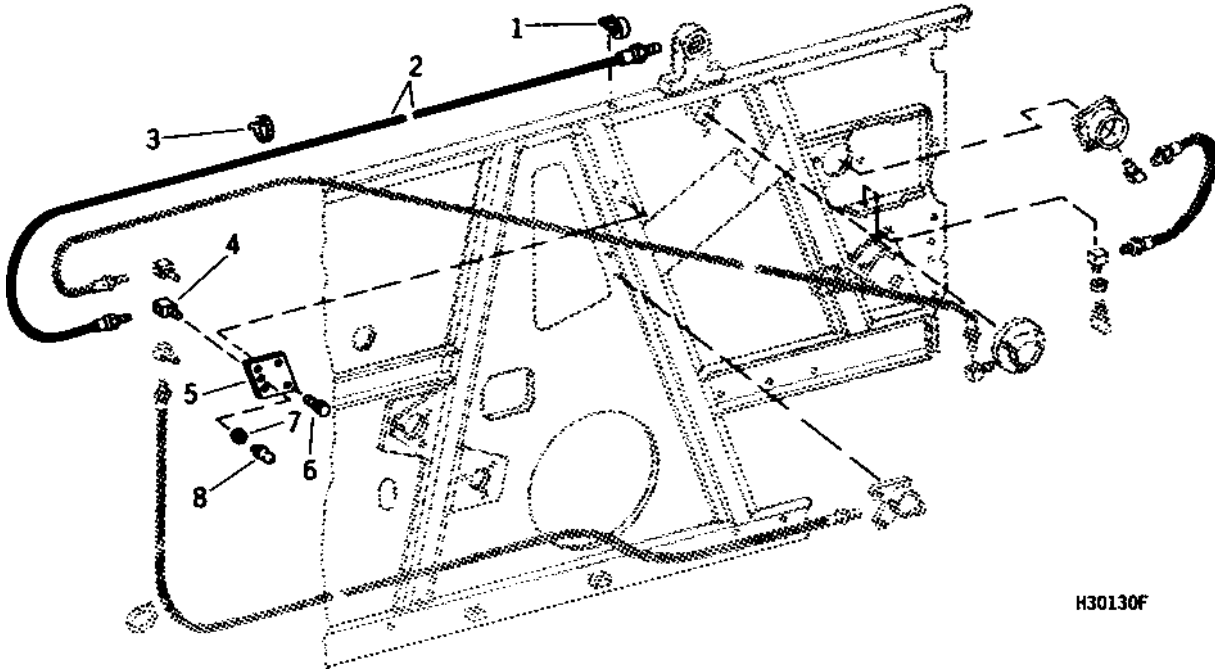
H30135F -UN-01JAN94



KEY	PART NO.	PART NAME	QTY	SERIAL NO.	REMARKS
1	M66044	TIE BAND	3		
2	H94729	HYDRAULIC HOSE	1	850 MM (34") LONG	
3	E12378	ELBOW FITTING	1	90°	
4	H101262	SUPPORT	1		
5	H76139	SCREW	2	SELF-TAPPING	
6	E12379	NUT	1		
7	JD7797	LUBRICATION FITTING	1	STRAIGHT, 1/4"	

PRIMARY COUNTERSHAFT LUBE BANK SYSTEM
(RIGHT-HAND SIDE)

H30130F -UN-01JAN94



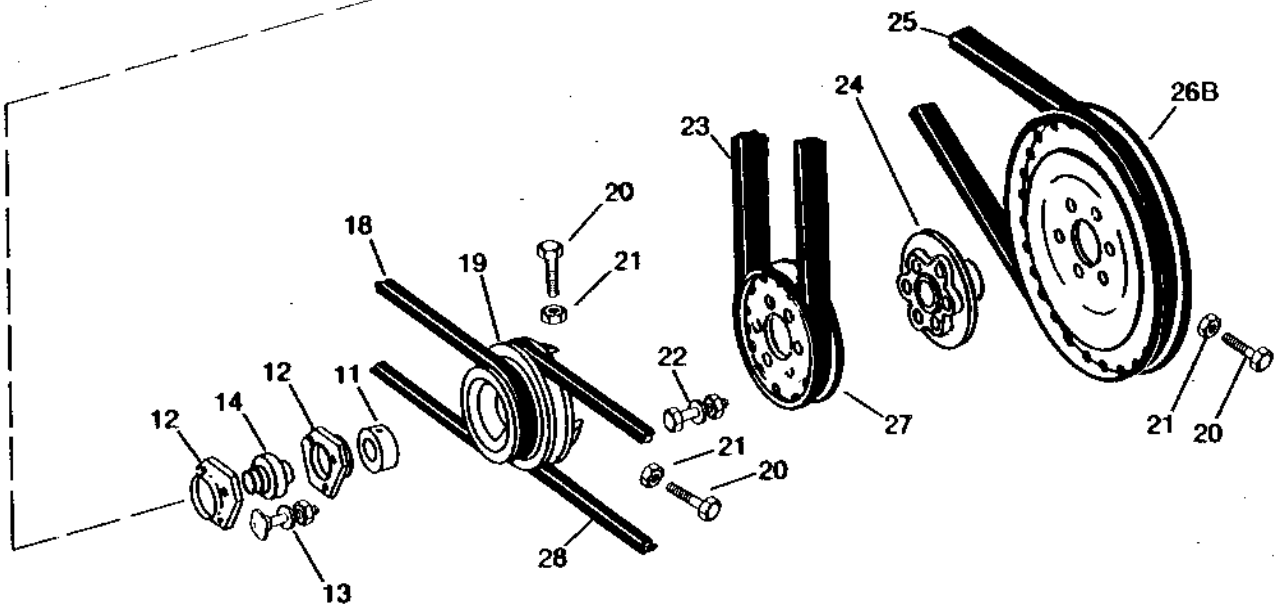
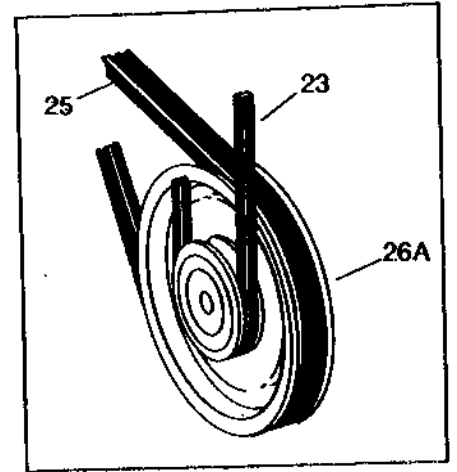
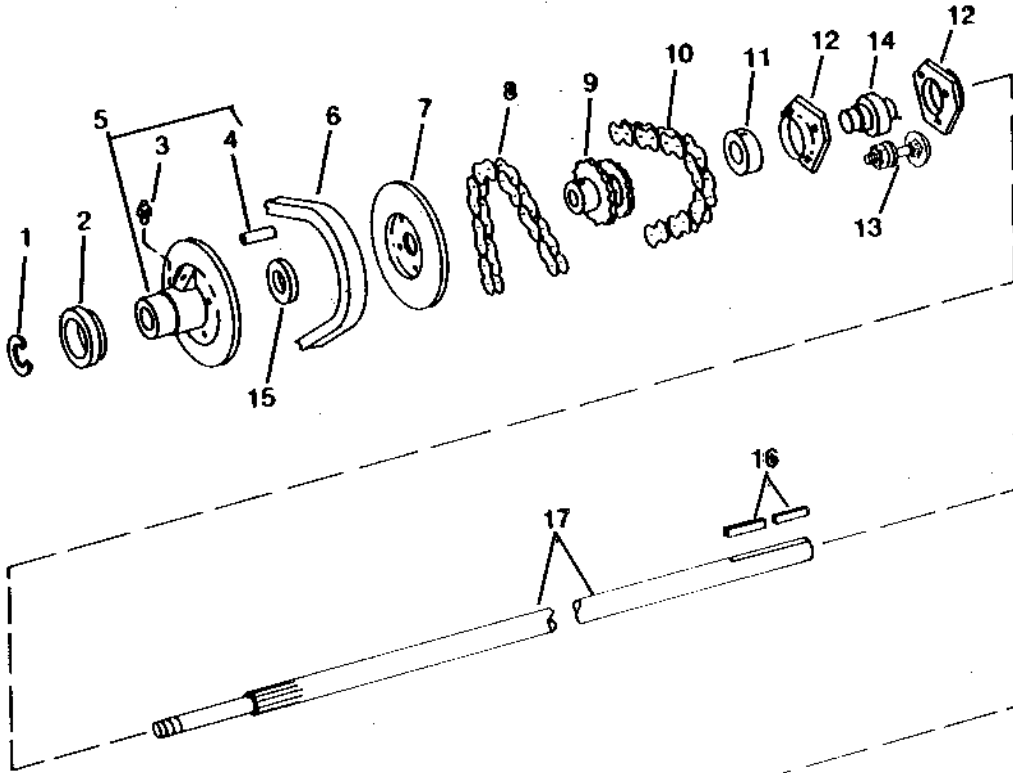
KEY	PART NO.	PART NAME	QTY	SERIAL NO.	REMARKS
1	AH89557	CLIP	1		
2	H94728	HYDRAULIC HOSE	1		550 MM (22") LONG
3	M66044	TIE BAND	1		
4	E12378	ELBOW FITTING	1		90°
5	H98089	SUPPORT	1	-513350	(SUB H109523)
	H109523	SUPPORT	1		(SUB H101262)
	H101262	SUPPORT	1		
6	H76139	SCREW	2		SELF-TAPPING
7	E12379	NUT	1		
8	JD7797	LUBRICATION FITTING	1		STRAIGHT, 1/4"

2110

HP1633

-UN-01JAN94

SECONDARY COUNTERSHAFT

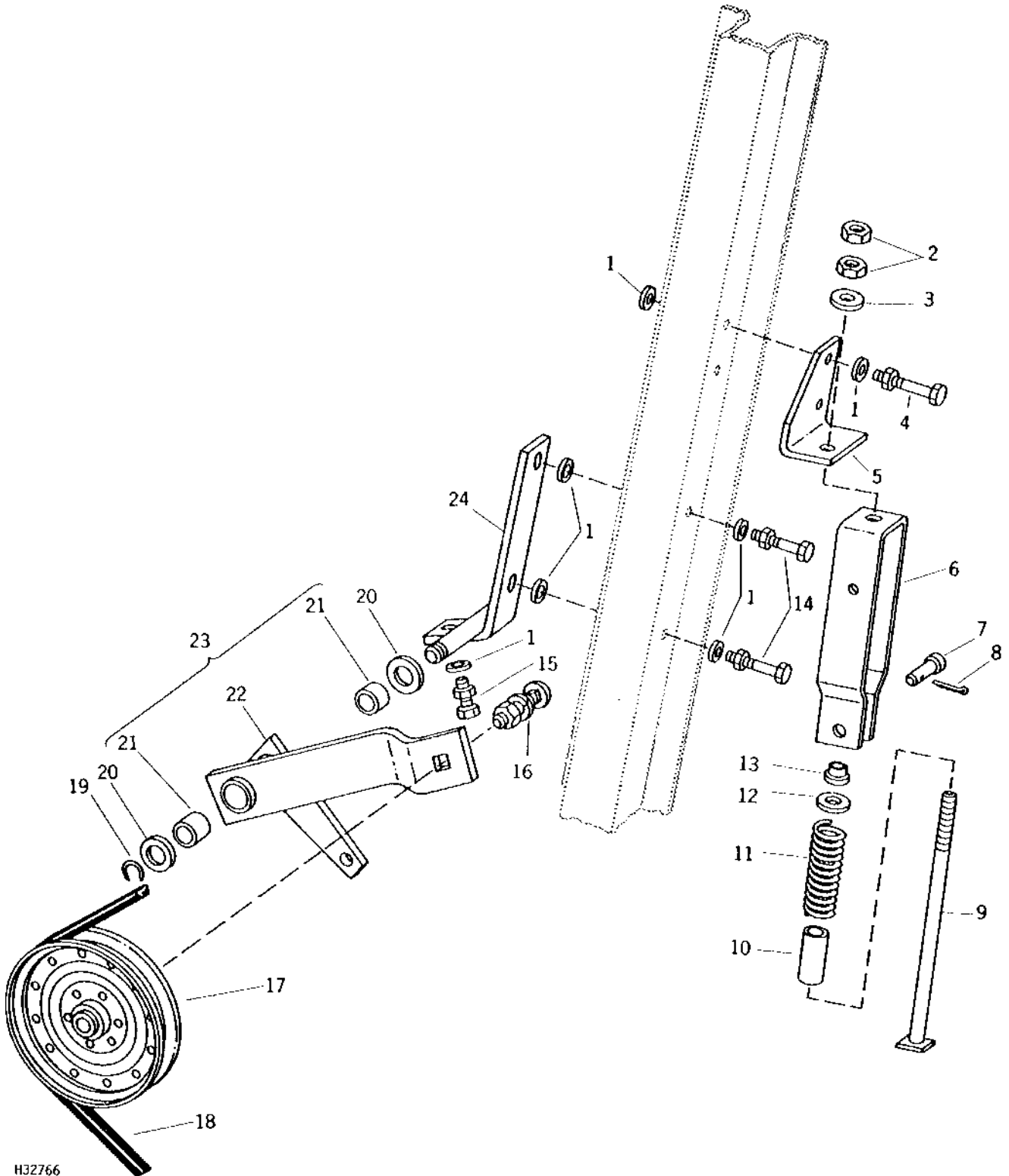


HP1633

SECONDARY COUNTERSHAFT - CONTINUED

KEY	PART NO.	PART NAME	QTY	SERIAL NO.	REMARKS
1	P43363	SNAP RING	1		
2	AH87207	THRUST BEARING	1		
3	JD7798	LUBRICATION FITTING	1		STRAIGHT, 1/8"
4	H100796	SPRING PIN	1		
5	AH100010	SHEAVE	1		254 MM (10") DIA. (CLEANING FAN DRIVE) (MARKED H100794)
6	H96248	BELT	1	-414244	(SUB H108669)
	H108669	BELT	1		
7	H93503	SHEAVE	1		254 MM (10") DIA. (CLEANING FAN DRIVE)
8	LINK CHAIN	1		DRIVE, STRAW WALKER, ROLLER, TYPE 60, 19 MM (3/4") PITCH, 99 LINKS, (ASSEMBLE FROM AB1288H, AB1289H, (2) AB1290H, (2) B5234H AND (2) AN151830)
9	AH92689	CHAIN SPROCKET	1	-610600	DOUBLE, 15 AND 15 TEETH, (CLEANING SHOE AND STRAW WALKER DRIVE)
	AH115268	CHAIN SPROCKET	1	610601-	DOUBLE, 18 AND 15 TEETH (CLEANING SHOE AND STRAW WALKER DRIVE)
10	LINK CHAIN	1		DRIVE, CLEANING SHOE, ROLLER, TYPE 60, 19 MM (3/4") PITCH, 56 LINKS, (ASSEMBLE FROM AB1289H, (3) AB1290H AND B5321H)
11	JD8594	ECCENTRIC LOCKING COLLAR	2		
12	C3994E	PRESSED FLANGED HOUSING	4	-562900	(SUB H103265, THIS APPLICATION)
	H103265	PRESSED FLANGED HOUSING	4		
13	19H1731	CAP SCREW	6		3/8" X 1"
	12H304	LOCK WASHER	6		3/8"
	14H812	NUT	6		3/8"
14	JD8593	BALL BEARING	2	-600000	(SUB AH10515, THIS APPLICATION)
	JD8593	BALL BEARING	1	600001-	L.H.
	AH10515	BALL BEARING	1		R.H.
15	A4730R	O-RING	1		
16	KEY	2		(1/4" X 1/4" X 2-1/4") (CUT FROM H64374 IN AH64587 KEY STOCK KIT)
17	H94127	JACKSHAFT	1		
18	H77010	BELT	1		
19	AH97032	SHEAVE	1	-610600	165 MM AND 216 MM (6-1/2" AND 8-1/2") DIAS. (SHOE GRAIN SUPPLY AUGERS AND TAILINGS AUGER DRIVE)
	AH115305	SHEAVE	1	610601-	165 MM AND 241 MM (8-1/2" AND 9-1/2") DIAS. (SHOE GRAIN SUPPLY AUGERS AND TAILINGS AUGER DRIVE)
20	22H836	SET SCREW	4		3/8" X 1"
21	14H732	NUT	4		3/8"
22	19H1801	CAP SCREW	6	463601-	3/8" X 2"
	12H304	LOCK WASHER	6	463601-	3/8"
	14H812	NUT	6	463601-	3/8"
23	H27433	BELT	1		
24	H105618	HUB	1		
25	H81222	BELT	1	-562900	
	H110300	BELT	1	562901-	
26A	AH97033	SHEAVE	1	-463600	241 MM AND 610 MM (9-1/2" AND 24") DIAS. (CLEAN GRAIN ELEVATOR AND SECONDARY COUNTERSHAFT DRIVE) (SUB AH104783, AH104782, H105618, (6) 19H1801, (6) 12H304 AND (6) 14H812)
	AH107084	SHEAVE	1	-463600	266 MM AND 610 MM (10-1/2" AND 24") DIAS. (CLEAN GRAIN ELEVATOR AND SECONDARY COUNTERSHAFT DRIVE) (SUB AH104783, AH107379, H105618, (6) 19H1801, (6) 12H304 AND (6) 14H812)
26B	AH104783	PULLEY	1		610 MM (24") DIA. (SECONDARY COUNTERSHAFT)
27	AH107379	PULLEY	1		266 MM (10-1/2") DIA. (CLEAN GRAIN ELEVATOR)
28	N110085	BELT	1	-610600	(SUB H118730, THIS APPLICATION)
	H118730	BELTING	1		

SECONDARY COUNTERSHAFT DRIVE IDLER



H32766

SECONDARY COUNTERSHAFT DRIVE IDLER - CONTINUED

KEY	PART NO.	PART NAME	QTY	SERIAL NO.	REMARKS
1	24H1682	WASHER	7		13/32" X 7/8" X 0.120"
2	14H1040	NUT	2		1/2"
3	24H1111	WASHER	1		17/32" X 1-1/16" X 0.090"
4	19H2128	CAP SCREW	4		3/8" X 3"
	12H304	LOCK WASHER	4		3/8"
	14H812	NUT	4		3/8"
5	H96419	BRACKET	1		
6	H96420	CLEVIS	1		
7	H748DA	PIN	1		
8	11H216	COTTER PIN	1		3/16" X 1"
9	AH94968	STUD	1		
10	28H1993	BUSHING	1		1/2" X 2"
11	H26552	SPRING	1		
12	24H1222	WASHER	1		17/32" X 1-3/8" X 0.120"
13	H97513	BUSHING	1		
14	19H2128	CAP SCREW	2		3/8" X 3"
	12H304	LOCK WASHER	2		3/8"
	14H812	NUT	2		3/8"
15	19H1732	CAP SCREW	1		3/8" X 1-1/4"
	12H304	LOCK WASHER	1		3/8"
	14H812	NUT	1		3/8"
16	03H1604	BOLT	1		5/8" X 2"
	12H294	LOCK WASHER	1		5/8"
	14H1039	NUT	1		5/8"
17	AH66202	SHEAVE	1		197 MM (7-3/4") DIA.
18	H81222	BELT	1		
19	P46614	SNAP RING	1		
20	24H1413	WASHER	2		57/64" X 1-3/8" X 0.048"
21	H98655	BUSHING	2		
22	AH94966	ARM	1		
23	AH97337	ARM	1	-562900	(SUB AH108818)
	AH108818	ARM	1		
24	AH94967	PIVOT	1	-414100	(SUB AH106042)
	AH106042	PIVOT	1		

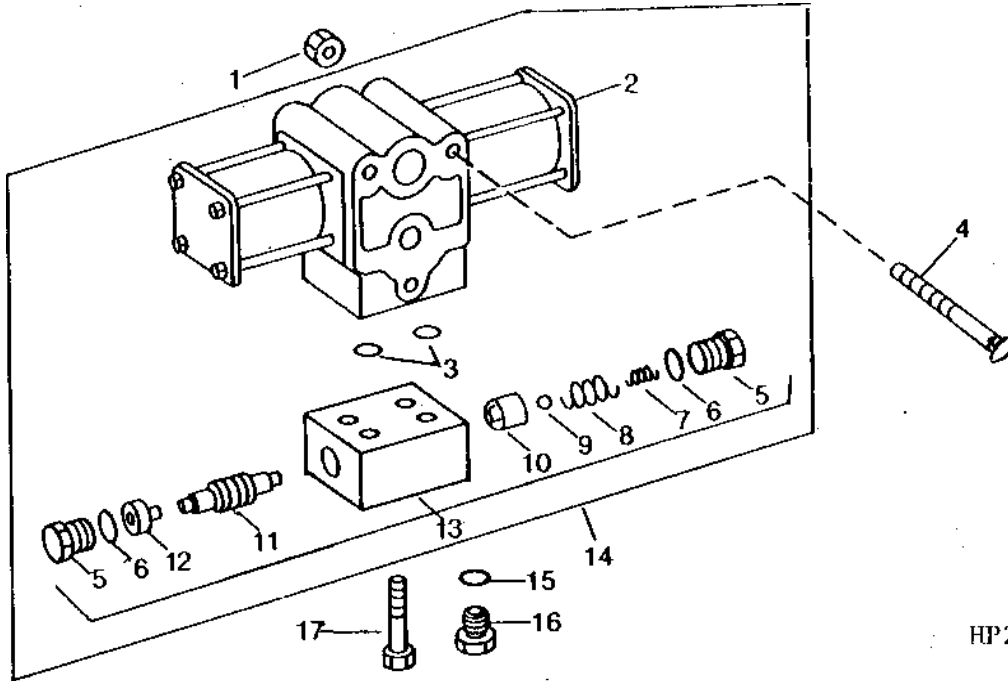
MEMORANDA

2115

HEADER HEIGHT CONTROL

CONTROL VALVE
(DIAL-A-MATIC HEADER HEIGHT CONTROL)
(SERIAL NO. 600001-)

HP2220 -UN-01JAN94

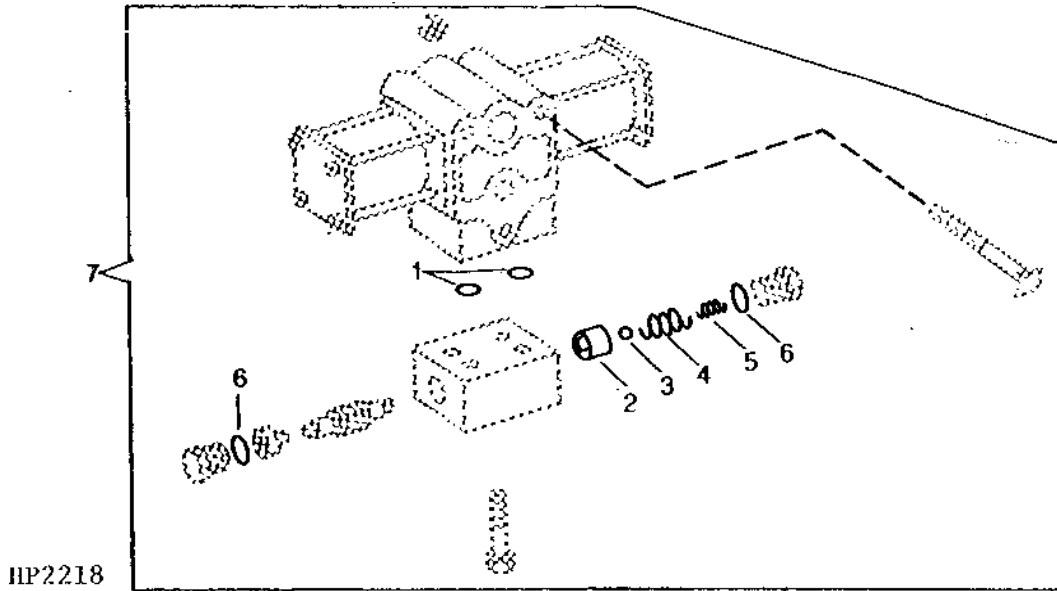


KEY	PART NO.	PART NAME	QTY	SERIAL NO.	REMARKS
1	N10215	LOCK NUT	2		
2	HOUSING	1		
3	H81608	O-RING	2		(KIT AH90687 AND AH90688)
4	19H1912	CAP SCREW	2		3/8" X 3-1/2"
5	H89339	FITTING	2		
6	R26375	O-RING	2		(KIT AH90688)
7	SPRING	1		(KIT AH90688)
8	SPRING	1		(KIT AH90688)
9	BALL	1		(KIT AH90688)
10	POPPET	1		(KIT AH90688)
11	SPOOL	1		
12	H89768	SPACER	1		
13	AH90892	VALVE	1		
14	AH110370	SOLENOID VALVE	1		(COMPLETE COMPONENT)
15	R26375	O-RING	1		
16	R39112	FITTING	1		
17	19H1901	CAP SCREW	2		5/16" X 2"
..	AH90688	TUNE-UP KIT	1		KIT, SERVICE REPAIR
..	AH90687	SEAL KIT	1		(INCLUDED IN KIT AH90688)

2116

KIT, CHECK BLOCK
(DIAL-A-MATIC HEADER HEIGHT CONTROL)
(SERIAL NO. 600001-)

HP2218 -UN-01JAN94

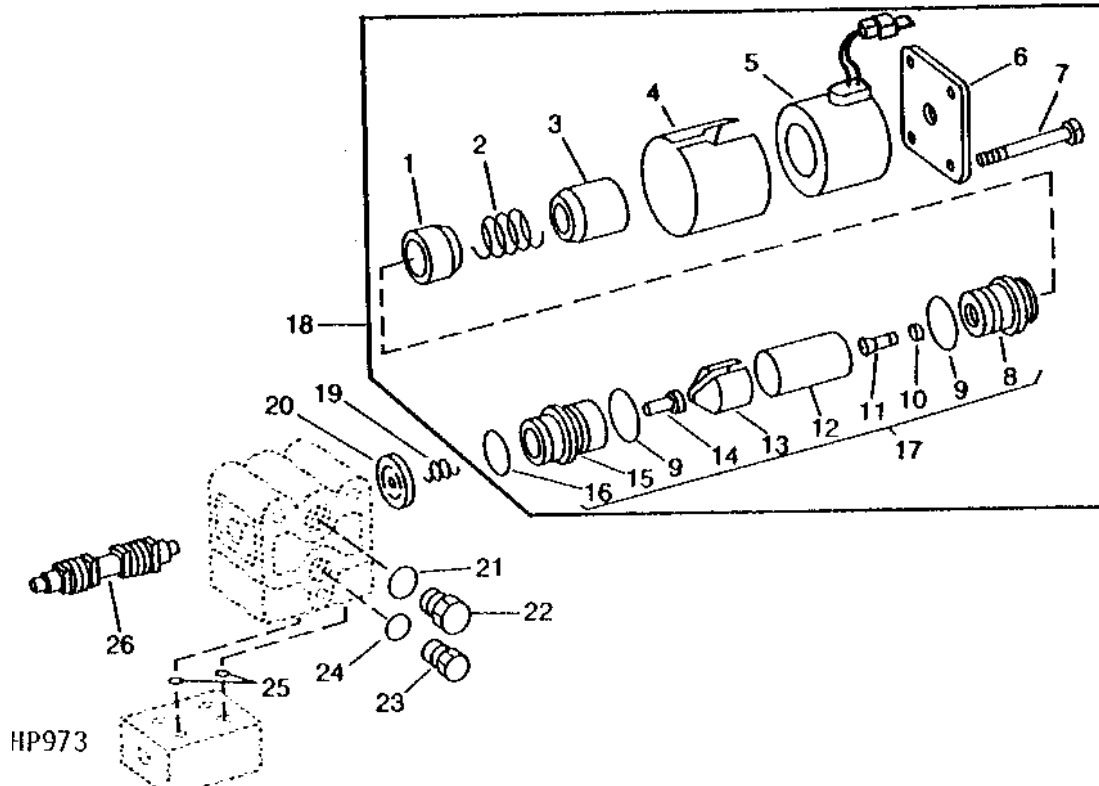


KEY	PART NO.	PART NAME	QTY	SERIAL NO.	REMARKS
1	H81608	O-RING	2		
2	POPPET	1		
3	BALL	1		
4	SPRING	1		
5	SPRING	1		
6	R26375	O-RING	1		
7	AH90688	TUNE-UP KIT	1		

2117

**MAIN VALVE BLOCK SOLENOID
(DIAL-A-MATIC HEADER HEIGHT CONTROL)
(SERIAL NO. 600001-)**

HP973 -UN-01JAN94



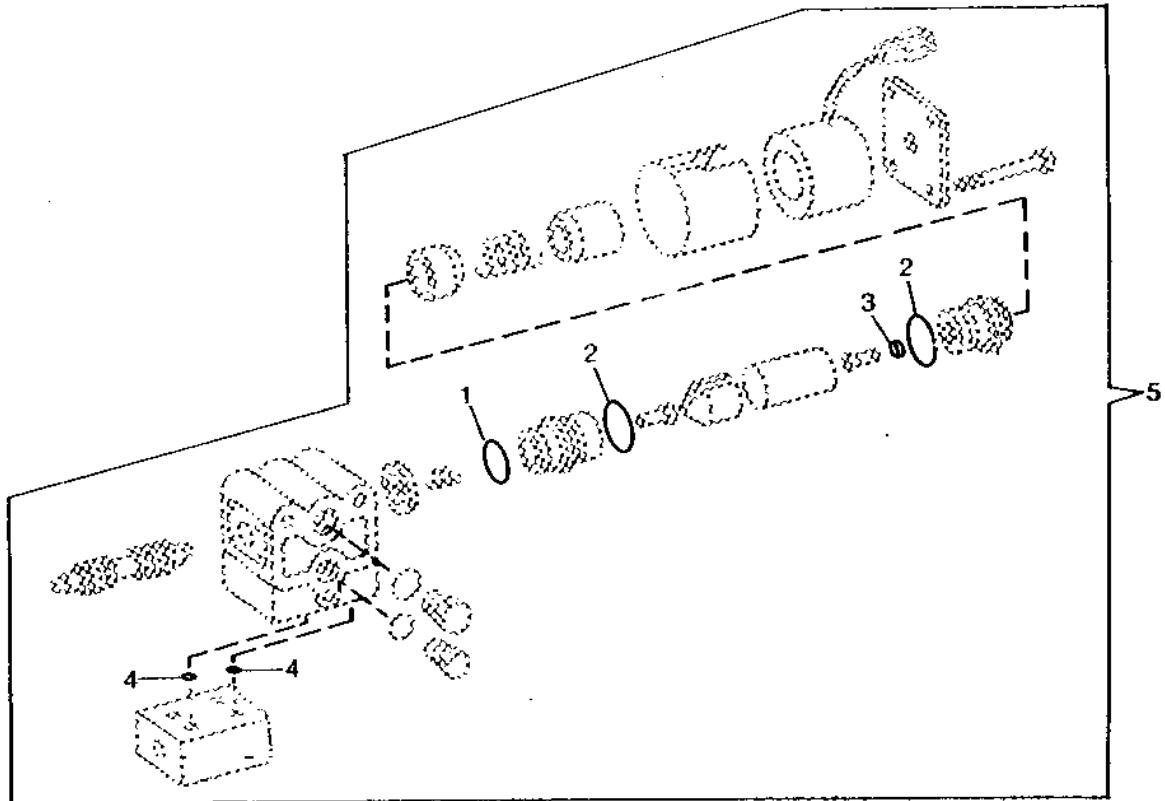
KEY	PART NO.	PART NAME	QTY	SERIAL NO.	REMARKS
1	SPOOL	2	SHORT	
2	SPRING	2		
3	SPOOL	2	LONG	
4	CASE	2		
5	AH114383	ELECTRICAL COIL	2		
6	H89331	PLATE	2		
7	N146275	SCREW	8		
8	GUIDE	2		
9	H63283	O-RING	4		(KIT AH90687)
10	H89335	RING	2		(KIT AH90687)
11	PIN	2		
12	TUBE	2		
13	PLUNGER	2		
14	PIN	2		
15	O-RING	2		(FEMALE CONE)
16	Z29304	O-RING	2		(KIT AH90687)
17	AH101274	SOLENOID	2		
18	AH114382	SOLENOID VALVE	2		
19	H101573	SPRING	2		
20	H107970	BUSHING	1		
21	R26375	O-RING	1		
22	R39112	FITTING	1		
23	R27218	FITTING PLUG	1		
24	R26448	O-RING	1		
25	H81608	O-RING	2		(KIT AH90687 AND AH90688)
26	H101556	SPOOL	1		
..	AH90687	SEAL KIT	1		

MEMORANDA

2118

**KIT, MAIN VALVE BLOCK SOLENOID
(DIAL-A-MATIC HEADER HEIGHT CONTROL)
(SERIAL NO. 600001-)**

HP2217 -UN-01JAN94



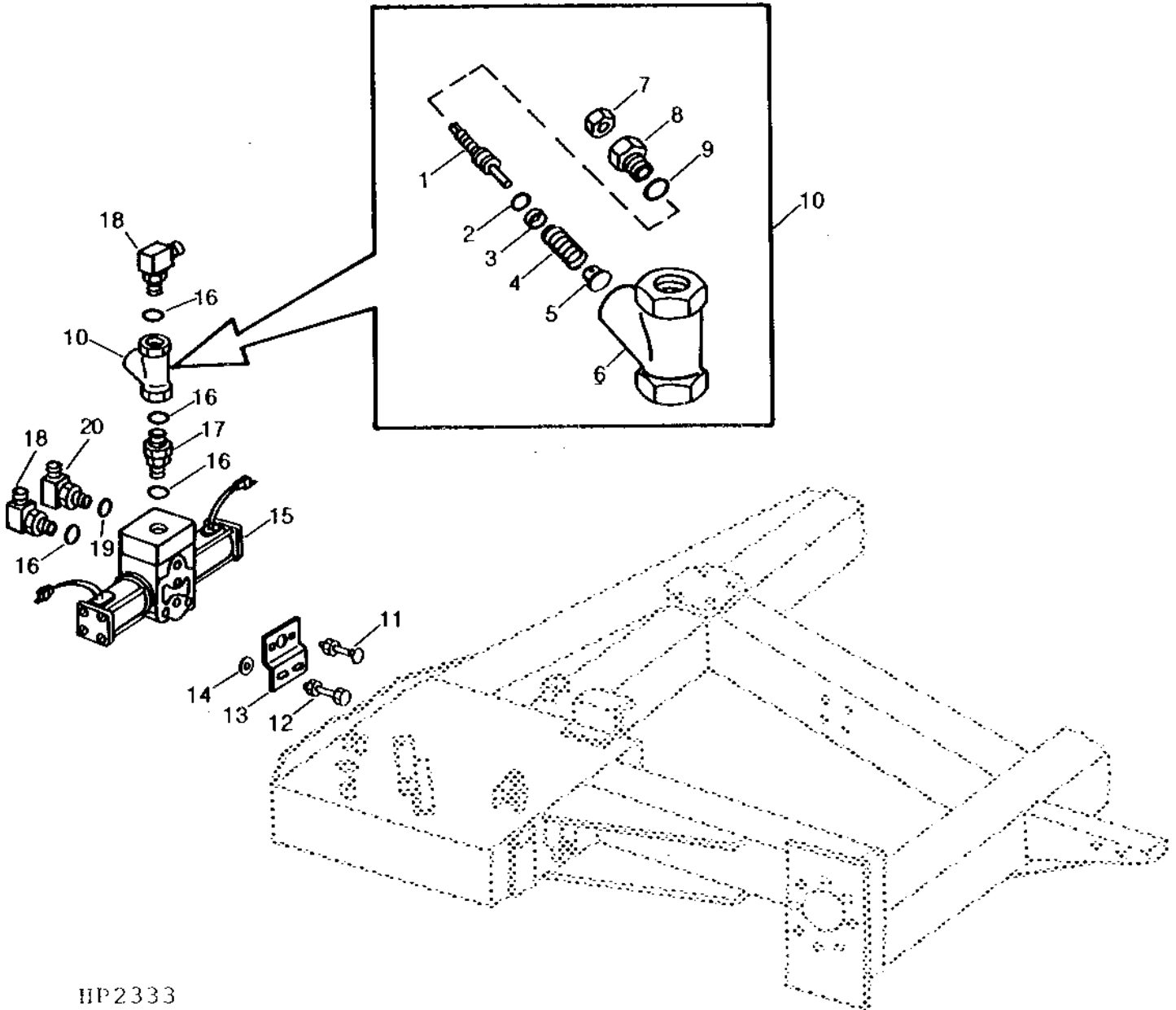
KEY	PART NO.	PART NAME	QTY	SERIAL NO.	REMARKS
1	T35983	O-RING	2		
2	H63283	O-RING	4		
3	H89335	RING	2		
4	H81608	O-RING	2		
5	AH90687	SEAL KIT	1		
..	O-RING	2		(NOT USED THIS APPLICATION)
..	O-RING	1		(NOT USED THIS APPLICATION)

2119

DIAL-A-MATIC VALVES, FITTINGS, AND BRACKETS
(SERIAL NO. 600001-)

HP2333

-UN-01JAN94



HP2333

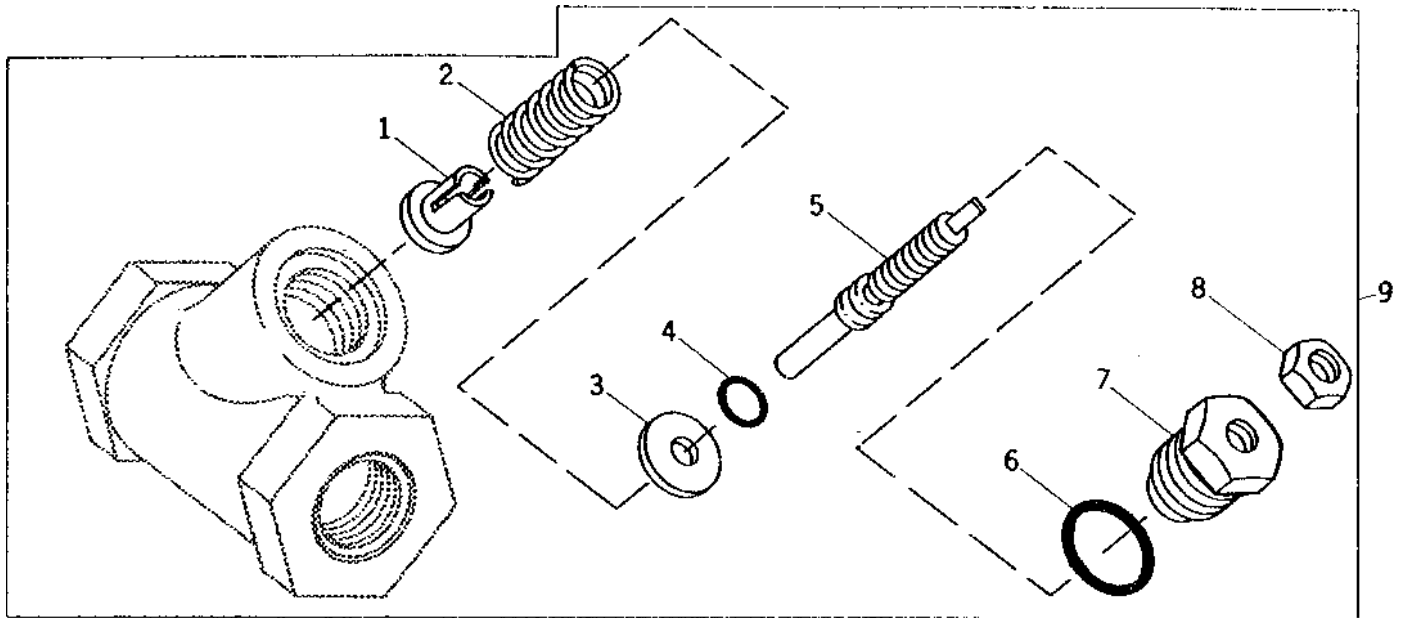
DIAL-A-MATIC VALVES, FITTINGS, AND BRACKETS - CONTINUED
(SERIAL NO. 600001-)

KEY	PART NO.	PART NAME	QTY	SERIAL NO.	REMARKS
1	STEM	1	(KIT AH90686)	
2	A4365R	O-RING	1	(KIT AH90686)	
3	O-RING	1	(KIT AH90686)	
4	H89338	SPRING	1	(KIT AH90686)	
5	H89336	POPPET	1	(KIT AH90686)	
6	HOUSING	1		
7	H89949	NUT	1	(KIT AH90686)	
8	CAP	1	(KIT AH90686)	
9	R26375	O-RING	1	(KIT AH90686)	
10	AH89358	VALVE	1		
11	03H2109	BOLT	2	3/8" X 3-1/4"	
	N10215	LOCK NUT	2		
12	19H2328	CAP SCREW	2	5/8" X 4"	
	E54809	LOCK NUT	2		
13	H101271	BRACKET	1		
14	24H1111	WASHER	2	17/32" X 1-1/16" X 0.090"	
15	AH110370	SOLENOID VALVE	1		
16	R26375	O-RING	5		
17	AN131153	UNION FITTING	1		
18	AR31674	FITTING	3	90°	
19	R26448	O-RING	1		
20	AR26725	ELBOW FITTING	1	-615467	90°, (SUB AT35121)
	AT35121	ELBOW FITTING	1		90°

2121

KIT, DROP RATE VALVE
(DIAL-A-MATIC HEADER HEIGHT CONTROL)
(SERIAL NO. 600001-)

H32135F -UN-01JAN94

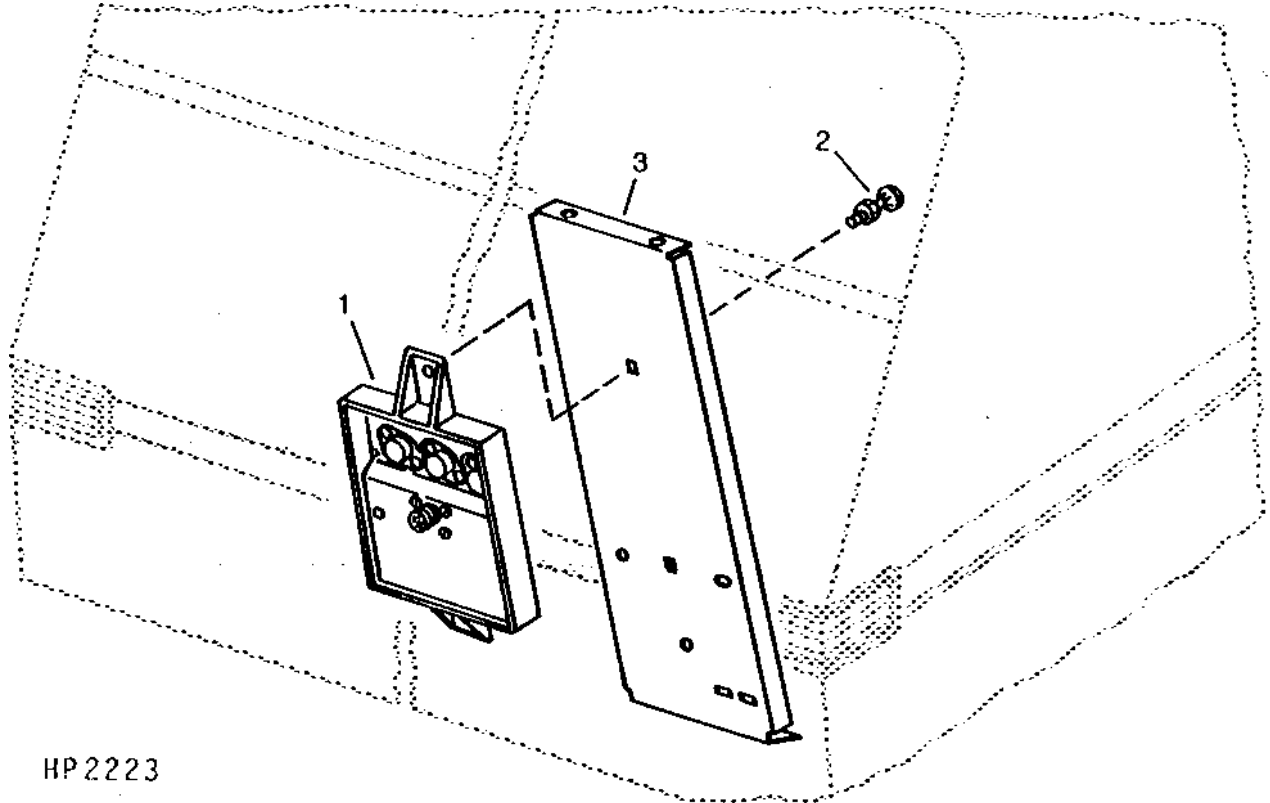


H32135F

KEY	PART NO.	PART NAME	QTY	SERIAL NO.	REMARKS
1	H89336	POPPET	1		
2	H89338	SPRING	1		
3	WASHER	1		
4	A4365R	O-RING	1		
5	STEM	1		
6	R26375	O-RING	1		
7	CAP	1		
8	H89949	NUT	1		
9	AH90686	KIT	1		

HP2223 -UN-01JAN94

AMPLIFIER AND BRACKET
(SERIAL NO. 600001-)



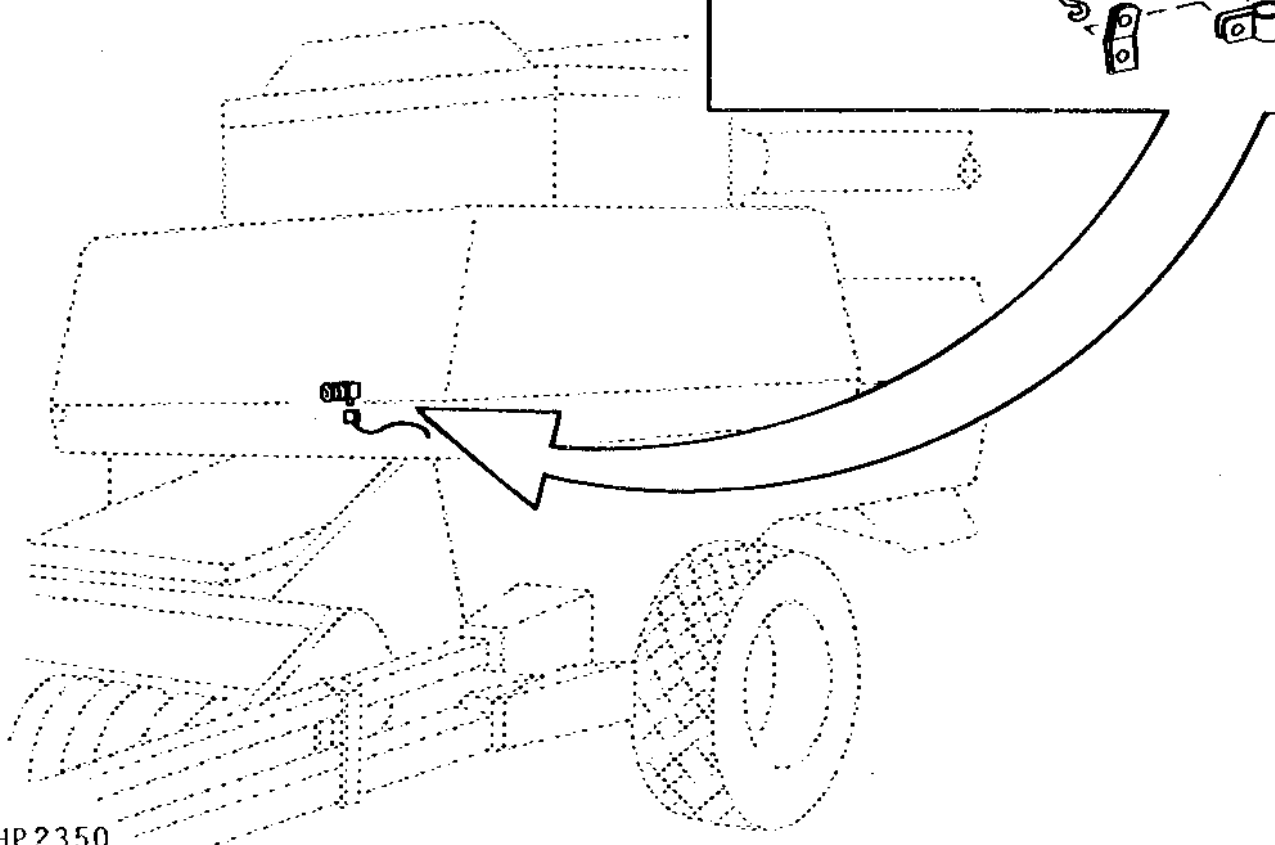
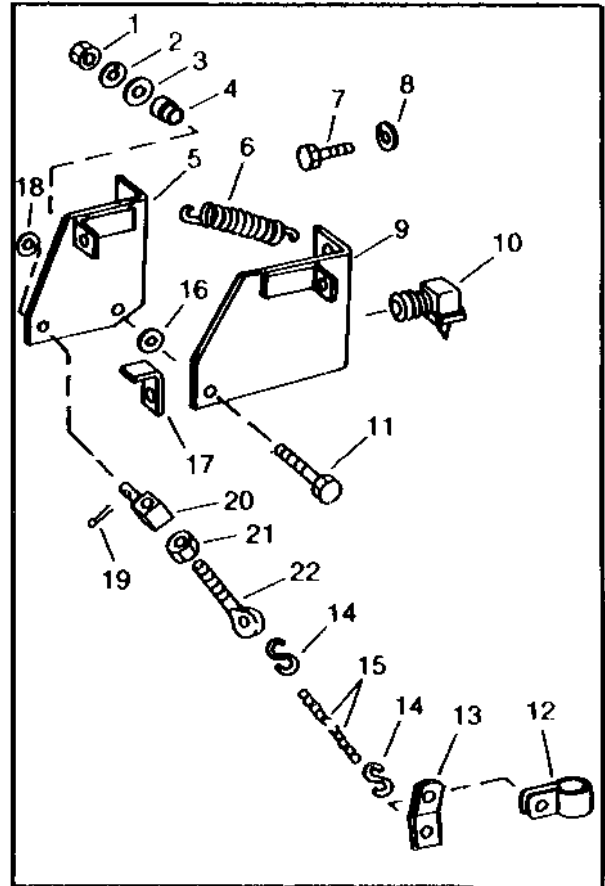
HP2223

KEY	PART NO.	PART NAME	QTY	SERIAL NO.	REMARKS
1	AH111485	CONTROL	1		
2	03H2092	BOLT	2		1/4" X 3/4"
	N10217	LOCK NUT	2		
3	H114884	BRACE	1		

ACTUATING SWITCH AND MOUNTING PARTS
(DIAL-A-MATIC)
(SERIAL NO. 600001-)

HP2350

-UN-01JAN94



HP 2350

ACTUATING SWITCH AND MOUNTING PARTS - CONTINUED
(DIAL-A-MATIC)
(SERIAL NO. 600001-)

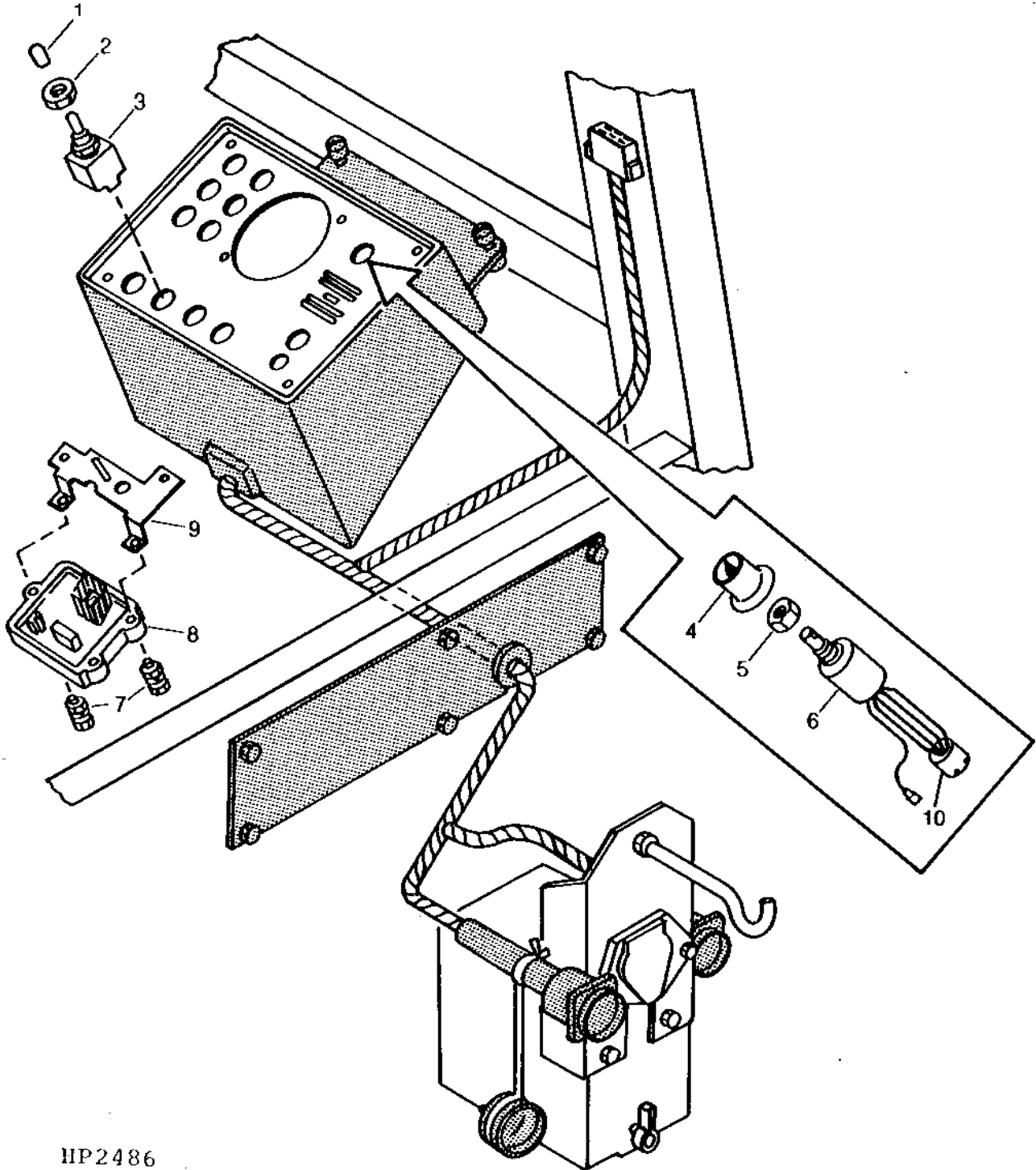
KEY	PART NO.	PART NAME	QTY	SERIAL NO.	REMARKS
1	14H850	NUT	1	1/4"	
2	12H302	LOCK WASHER	1	1/4"	
3	24H1308	WASHER	1	13/32" X 1" X 0.134"	
4	H89515	WASHER	1		
5	AH116350	ARM	1		
6	17047	SPRING	1		
7	19H2284	CAP SCREW	2	3/8" X 7/8"	
8	12H304	LOCK WASHER	2	3/8"	
9	AH116351	PLATE	1		
10	AH78765	BRAKE SWITCH	1		
11	H100122	BOLT	1		
12	AH89486	CLIP	1		
13	H89870	STOP	1		
14	H94623	HOOK	2		
15	AH90798	LINK CHAIN	1		
16	24H1136	WASHER	1	11/32" X 11/16" X 0.065"	
17	H89514	STOP	1		
18	24H1287	WASHER	2	9/32" X 5/8" X 0.065"	
19	11H206	COTTER PIN	1	3/32" X 3/4"	
20	H28108	SWIVEL	1		
21	14H860	NUT	1	1/4"	
22	H122190	EYEBOLT	1		

2J1

CONTROL BOX AND SWITCHES
(DIAL-A-MATIC)
(SERIAL NO. 600001-)

HP2486

-UN-01JAN94



HP2486

CONTROL BOX AND SWITCHES - CONTINUED
(DIAL-A-MATIC)
(SERIAL NO. 600001-)

KEY	PART NO.	PART NAME	QTY	SERIAL NO.	REMARKS
1	H94664	GRIP	1		
2	H94505	NUT	1		
3	AH93711	TOGGLE SWITCH	1		
4	AH104380	KNOB	1		
5	H106246	LOCK NUT	1		
6	AH108480	SWITCH	1		
7	21H1198	SCREW	2	0.190" X 1-1/2"	
	12H295	LOCK WASHER	2	0.190"	
	14H778	NUT	2	0.190"	
8	AH108414	PRINTED CIRCUIT	1		
9	H115157	SUPPORT	1		
10	R76873	RECEPTACLE	1	9 HOLES	
	R77464	PIN CONTACT	1	(PKG. OF 50)	

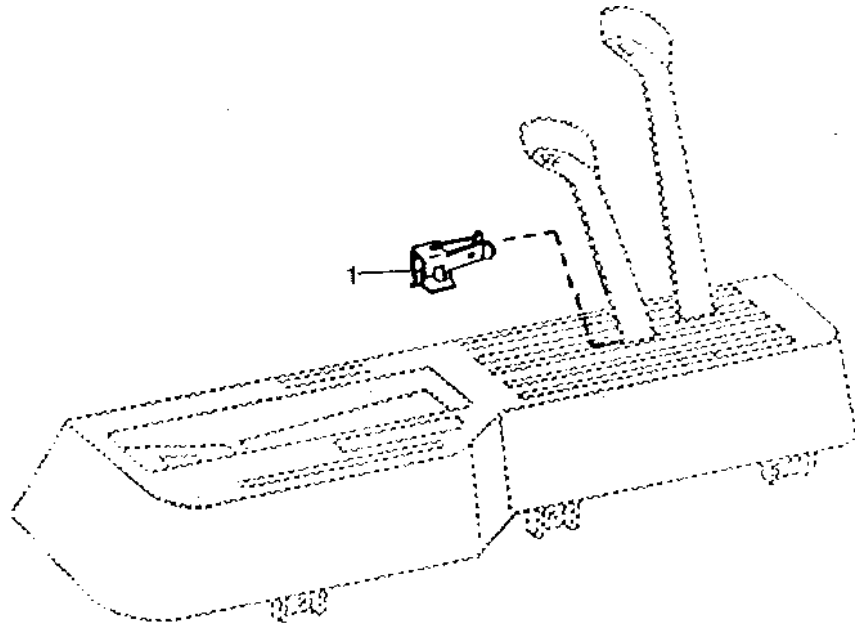
2J3

HEADER HEIGHT CONTROL

DIAL-A-MATIC LEVER SELECTOR LOCK (SERIAL NO. 600001-)

HP2237

-UN-01JAN94



HP2237

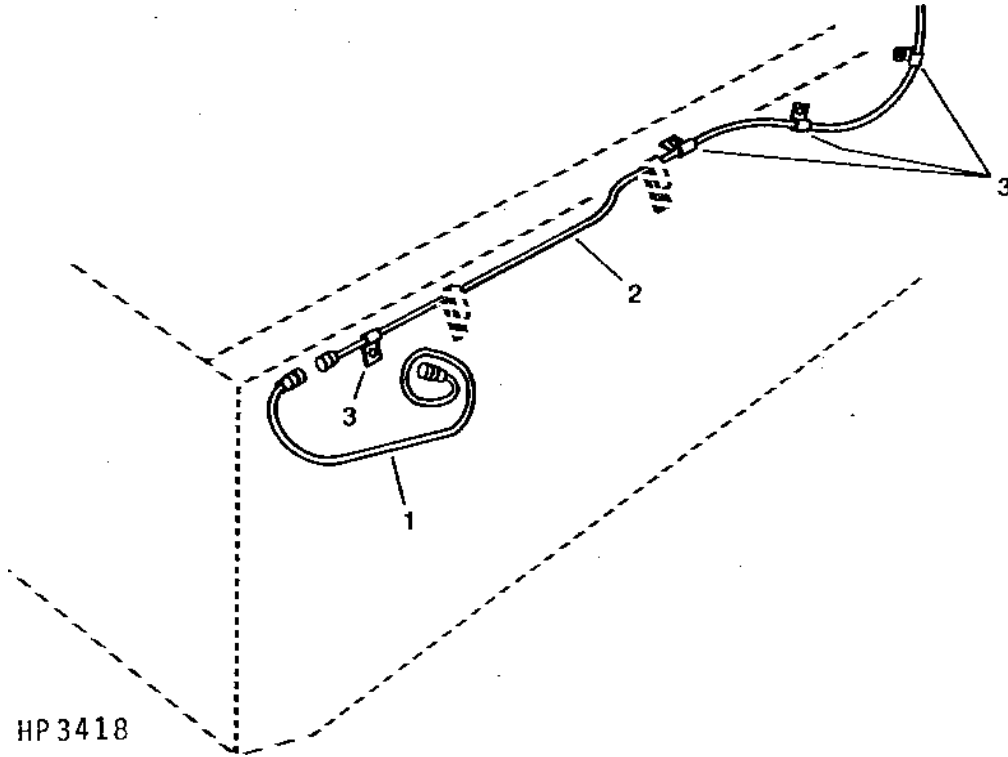
KEY	PART NO.	PART NAME	QTY	SERIAL NO.	REMARKS
1	AR59805 R52667	LOCK LEVER	1 1	-615600 (SUB R52667)	

2J4

HEADER HEIGHT CONTROL

DIAL-A-MATIC HEADER HEIGHT CONTROL ADAPTER HARNESS
(SERIAL NO. 600001-625000)
(USE WITH 900 SERIES HEADERS (625101-)

HP3418 -UN-01JAN94



KEY	PART NO.	PART NAME	QTY	SERIAL NO.	REMARKS
1	AH128923	WIRING HARNESS	1		(ADAPTER HARNESS) (9 PIN COMBINE TO 16 PIN HEAD)
2	AH120386	WIRING HARNESS	1		
3	AH89557	CLIP	4		

MEMORANDA

MEMORANDA

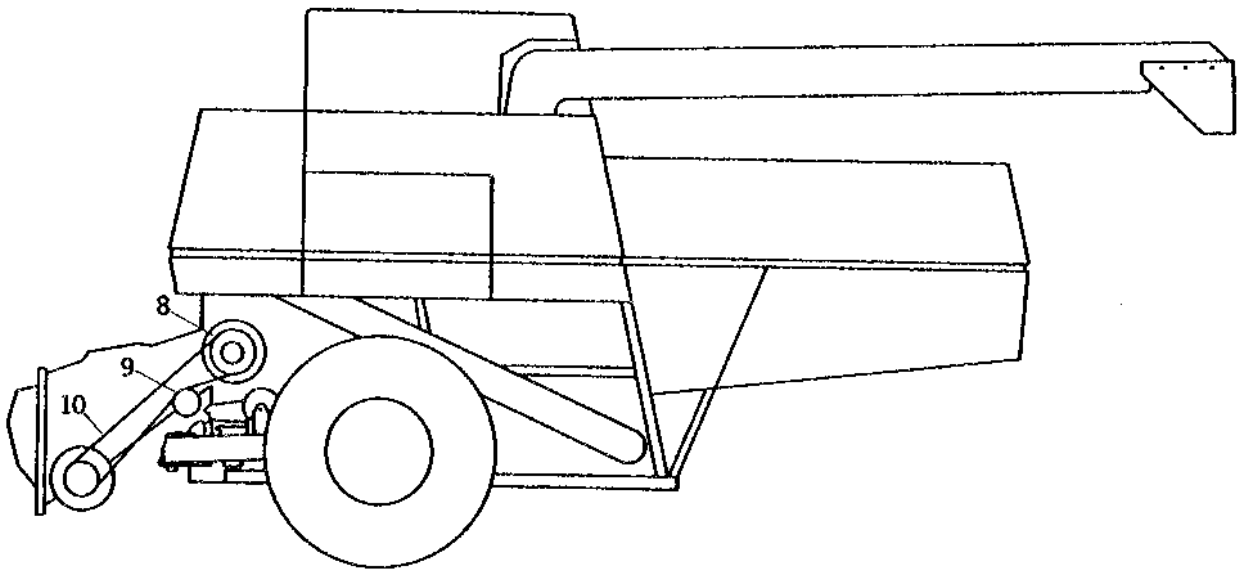
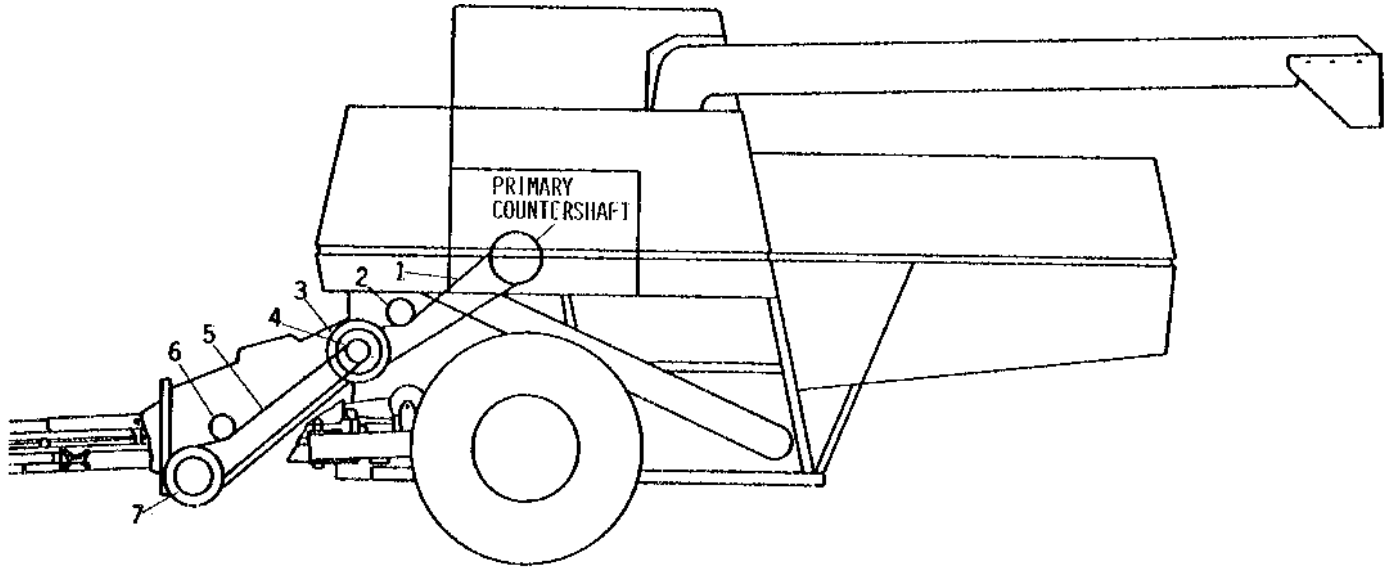
2J7

DECALS, BELTS, AND CHAINS

FEEDER HOUSE DRIVE BELTS, SHEAVES, IDLERS, AND TIGHTENERS (REGULAR FIXED)

H32662

-UN-01JAN94



H32662

2J8

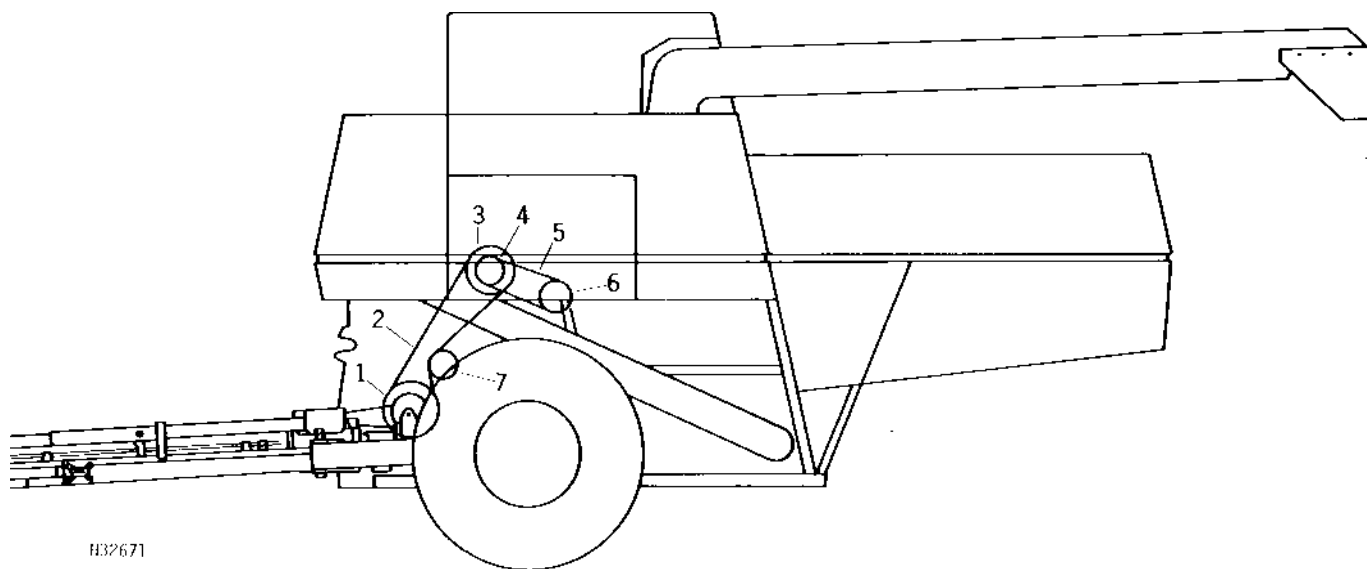
DECALS, BELTS, AND CHAINS

FEEDER HOUSE DRIVE BELTS, SHEAVES, IDLERS, AND TIGHTENERS - CONTINUED (REGULAR FIXED)

KEY	PART NO.	PART NAME	QTY	SERIAL NO.	REMARKS
1	H76030	BELT	1		FEEDER HOUSE DRIVE
2	AH94450	IDLER	1		TIGHTENER, 222 MM (8-3/4") DIA.
3	AH75979	SHEAVE	1		FEEDER HOUSE DRIVE, 440 MM (17-15/16") DIA.
4	H75886	SHEAVE	1		LOWER DRIVE, 188 MM (7-13/32") DIA.
5	H77765	BELT	1		LOWER DRIVE
6	AH94450	IDLER	1		TIGHTENER, LOWER, 197 MM (7-3/4") DIA.
7	H75888	SHEAVE	1		DOUBLE DRIVEN, FEEDER CONVEYOR DRIVE, 223 MM AND 323 MM (8-49/64" AND 12-23/32") DIAS.
8	AH81273	SHEAVE	1		DRIVEN, FEEDER CONVEYOR, 327 MM (12-7/8") DIA.
9	AH66202	SHEAVE	1		TIGHTENER, FEEDER CONVEYOR DRIVE, 197 MM (7-3/4") DIA.
10	H77766	BELT	1		FEEDER CONVEYOR DRIVE

PRIMARY COUNTERSHAFT AND BELT PICKUP PUMP DRIVE SHEAVES

H32671 -UN-01JAN94



H32671

KEY	PART NO.	PART NAME	QTY	SERIAL NO.	REMARKS
1	H93876	SHEAVE	1		DRIVE, MULTI-GROOVED, 362 MM AND 399 MM (14-1/4" AND 15-5/16") DIAS.
2	H94508	BELT	1		DRIVE, PRIMARY COUNTERSHAFT
3	H92684	SHEAVE	1	-414100	(SUB H107310)
	H107310	SHEAVE	1		PRIMARY COUNTERSHAFT, 389 MM (15-19/64") DIA.
4	AH96107	SHEAVE	1		FEEDER HOUSE AND BELT PICKUP PUMP DRIVE
5	H86274	BELT	1		DRIVE
6	AH100065	SHEAVE	1		BELT PICKUP AND PUMP DRIVE, 178 MM (7") DIA.
7	AH93318	IDLER	1		TIGHTENER, FEEDER CONVEYOR DRIVE, 197 MM (7-3/4") DIA.

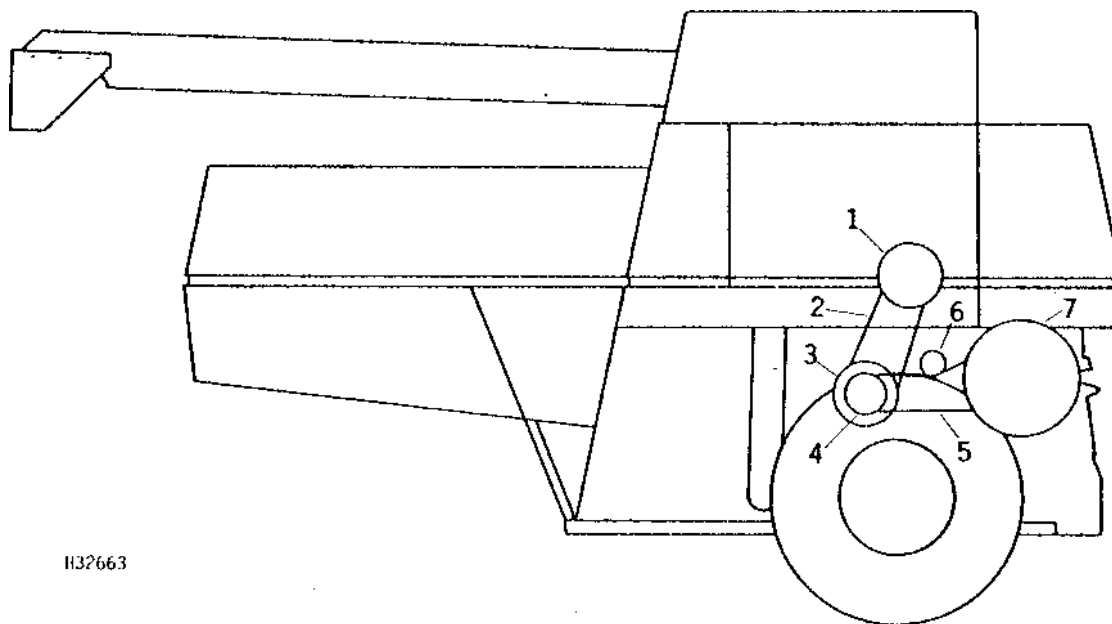
2J10

DECALS, BELTS, AND CHAINS

PRIMARY COUNTERSHAFT TO CYLINDER DRIVE, BELTS, SHEAVES, AND TIGHTENERS

H32663

-UN-01JAN94



KEY	PART NO.	PART NAME	QTY	SERIAL NO.	REMARKS
1	H93627	SHEAVE	1		HALF, PRIMARY COUNTERSHAFT, 413 MM (16-1/4") DIA.
	AH92908	SHEAVE	1	-630000	OUTER, PRIMARY COUNTERSHAFT, 412 MM (16-1/4") DIA.
	AH111379	SHEAVE	1	630001-	OUTER, PRIMARY COUNTERSHAFT, 412 MM (16-1/4") DIA.
2	H113749	BELT	1		DRIVE, TORQ-SENSING COUNTERSHAFT
3	H96051	SHEAVE	1		FIXED, TORQ-SENSING COUNTERSHAFT, 413 MM (16-1/4") DIA.
	H107391	SHEAVE	1	-463600	(SUB H107689)
	H107689	SHEAVE	1	-463600	SLIDING, 413 MM (16-1/4") DIA., TORQ-SENSING COUNTERSHAFT, (SUB H110112)
4	H110112	SHEAVE	1		INNER, 413 MM (16-1/4") DIA.
	H93643	SHEAVE	1		DRIVE, CYLINDER, 273 MM (10-3/4") DIA. (4-GROOVE) (450 TO 1200 RPM)
	H93641	SHEAVE	1	-562900	DRIVE, CYLINDER, 229 MM (9-19/64") DIA. (4-GROOVE) (390 TO 1030 RPM)
	H93641	SHEAVE	1	562901-	DRIVE, CYLINDER, 229 MM (9-19/64") DIA. (OPTIONAL) (4-GROOVE) (280 TO 560 RPM)
	H93646	SHEAVE	1	-562900	DRIVE, CYLINDER, 191 MM (7-1/2") DIA. (4-GROOVE) (315 TO 830 RPM)
5	H110253	SHEAVE	1	562901-	DRIVE, CYLINDER, 296 MM (11-21/32") DIA. (STANDARD) (4-GROOVE) (500 TO 1000 RPM)
	H96422	BELT	1	-562900	CYLINDER, 4-BANDED (390 TO 1030 OR 450 TO 1200 RPM)
	H96422	BELT	1	562901-	CYLINDER, (4-BANDED) (OPTIONAL) (280 TO 560 RPM AND 500 TO 1000 RPM)
	H96421	BELT	1	-562900	CYLINDER (4-BANDED) (315 TO 830 RPM)
	H110375	BELT	1	562901-	CYLINDER (4-BANDED) (STANDARD) (350 TO 700 RPM AND 620 TO 1240 RPM)
6	AH93316	IDLER	1	-562900	TIGHTENER, 165 MM (6-1/2") DIA. (SUB AH111447)
	AH111447	IDLER	1		TIGHTENER, 165 MM (6-1/2") DIA.
7	H93645	SHEAVE	1	-563135	DRIVEN, CYLINDER, 569 MM (22-13/32") DIA. (4-GROOVE)
	H110374	SHEAVE	1	563136-	DRIVEN, CYLINDER, 559 MM (22") DIA.

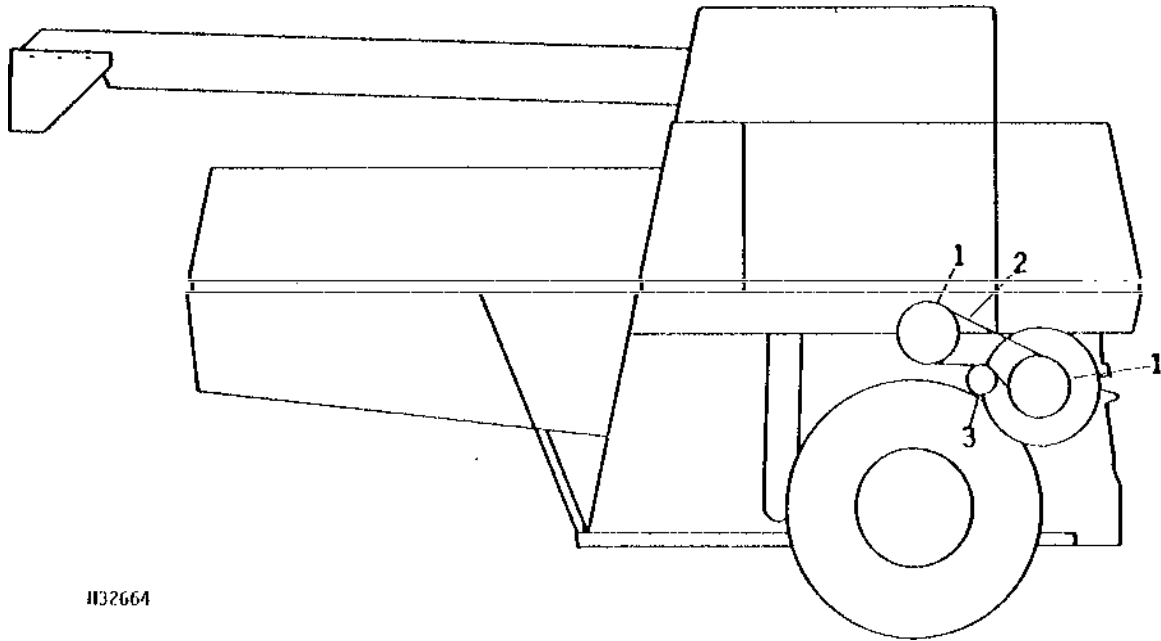
2J11

DECALS, BELTS, AND CHAINS

H32664

-UN-01JAN94

BEATER DRIVE SHEAVES AND BELTS



H32664

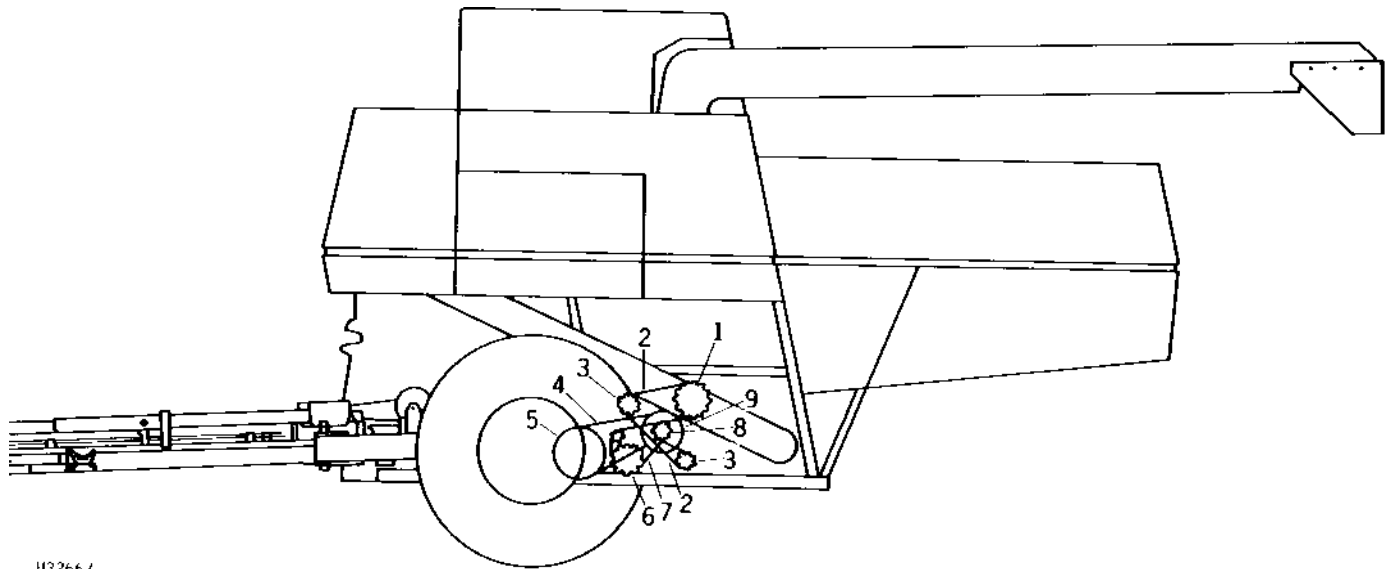
KEY	PART NO.	PART NAME	QTY	SERIAL NO.	REMARKS
1	AH94959	SHEAVE	2	-562900	DRIVE AND DRIVEN, BEATER, 241 MM (9-1/2") DIA. (100 PER CENT BEATER SPEED) (CORN AND BEAN)
	H113826	SHEAVE	1	562901-	DRIVE AND DRIVEN, BEATER, 249 MM (9-53/64") DIA. (100 PER CENT BEATER SPEED)
	AH94959	SHEAVE	1	562901-	DRIVE AND DRIVEN, BEATER, 241 MM (9-1/2") DIA. (100 PER CENT BEATER SPEED)
	AH101245	SHEAVE	1	-562900	DRIVE, BEATER, 318 MM (12-1/2") DIA. (150 PER CENT BEATER SPEED) (GRAIN AND RICE) (SUB H113837)
	H113837	SHEAVE	1	562901-	DRIVE, BEATER, 318 MM (12-1/2") DIA. (150 PER CENT BEATER SPEED) (GRAIN AND RICE)
	AH101244	SHEAVE	1	562901-	DRIVE, BEATER, 216 MM (8-1/2") DIA. (150 PER CENT BEATER SPEED)
	AH101244	SHEAVE	1	-562900	DRIVEN, 216 MM (8-1/2") DIA. (150 PER CENT BEATER SPEED) (GRAIN AND RICE)
2	H96414	BELT	1		BEATER (100 PER CENT BEATER SPEED) (CORN AND BEAN)
	H101469	BELT	1		BEATER (150 PER CENT BEATER SPEED) (GRAIN AND RICE)
3	AH93171	IDLER	1		TIGHTENER, 140 MM (5-3/4") DIA.

2J12

DECALS, BELTS, AND CHAINS

CLEANING FAN, CLEANING SHOE, AND STRAW WALKER DRIVES

H32667 -UN-01JAN94



H32667

KEY	PART NO.	PART NAME	QTY	SERIAL NO.	REMARKS
1	H93463	CHAIN SPROCKET	1		CRANK, STRAW WALKER, 49 TEETH
2	LINK CHAIN	1		ROLLER, TYPE 60, 19 MM (3/4") PITCH, 99 LINKS, (ASSEMBLE FROM (2) AB1290H, AB1289H, AB1288H, (2) B5234H AND (2) AN151830)
3	AH89429	CHAIN SPROCKET	1		TIGHTENER, STRAW WALKER, 15 TEETH
4	H96248	BELT	1	-414244	(SUB H108669)
	H108669	BELT	1		DRIVE, CLEANING FAN DRIVE
5	H97600	SHEAVE	1		OUTER HALF, 213 MM (8-3/8") DIA., CLEANING FAN
	AH100009	SHEAVE	1		INNER HALF, 213 MM (8-3/8") DIA.
6	H93477	CHAIN SPROCKET	1		SHOE, 28 TEETH
7	LINK CHAIN	1		ROLLER, TYPE 60, 19 MM (3/4") PITCH, 58 LINKS, (ASSEMBLE FROM (3) AB1290H, AB1289H, B5234H, AN151830 AND B5321H)
8	AH92689	CHAIN SPROCKET	1	-610600	DOUBLE, WALKER AND SHOE DRIVE, 15 AND 15 TEETH
	AH115268	CHAIN SPROCKET	1	610601-	DOUBLE, WALKER AND SHOE DRIVE, 18 AND 15 TEETH
9	H93503	SHEAVE	1		INNER HALF, 254 MM (10") DIA., CLEANING FAN DRIVE
	AH100010	SHEAVE	1		OUTER SLIDING HALF, 254 MM (10") DIA., CLEANING FAN DRIVE

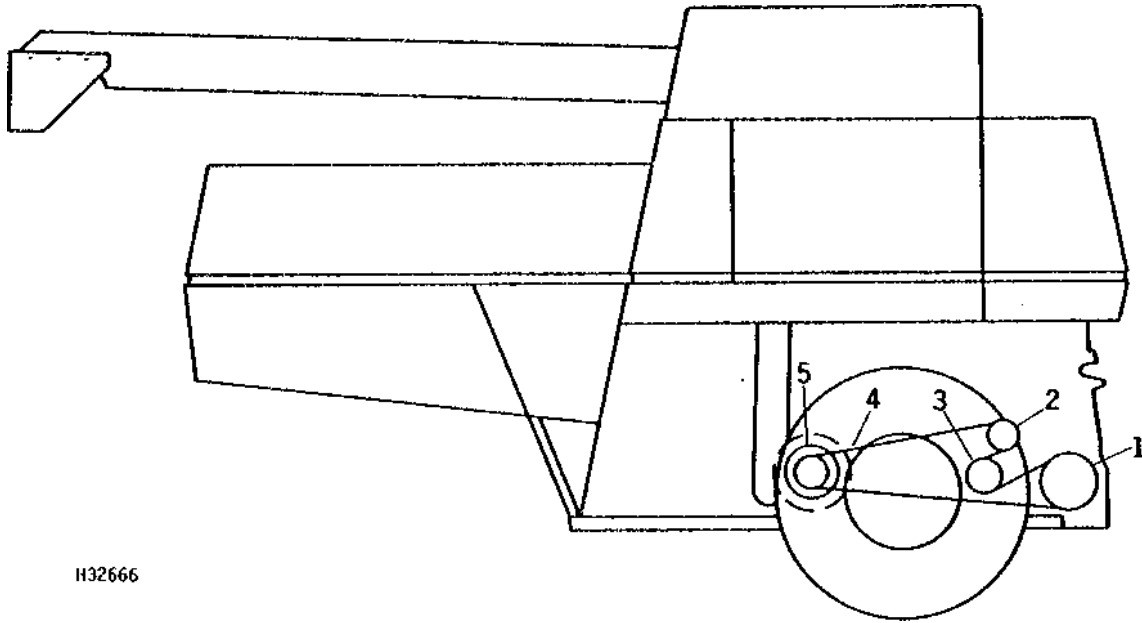
2J13

DECALS, BELTS, AND CHAINS

SHOE GRAIN SUPPLY AUGERS DRIVE SHEAVES AND BELTS

H32666

-UN-01JAN94



H32666

KEY	PART NO.	PART NAME	QTY	SERIAL NO.	REMARKS
1	H83084	SHEAVE	1		DRIVEN, SHOE SUPPLY AUGERS, 241 MM (9-1/2") DIA.
2	AH65015	SHEAVE	1		TIGHTENER, 133 MM (5-1/4") DIA.
3	AH14097	SHEAVE	1		178 MM (7") DIA.
4	H77010	BELT	1		DRIVE, SHOE SUPPLY AUGERS
5	AH97032	SHEAVE	1	-610600	DOUBLE DRIVE, SUPPLY AUGERS AND TAILINGS AUGER, SECONDARY COUNTERSHAFT, 165 MM AND 216 MM (6-1/2" AND 8-1/2") DIAS.
	AH115305	SHEAVE	1	610601-	DOUBLE DRIVE, SUPPLY AUGERS AND TAILINGS AUGER, SECONDARY COUNTERSHAFT, 165 MM AND 241 MM (6-1/2" AND 9-1/2") DIAS.

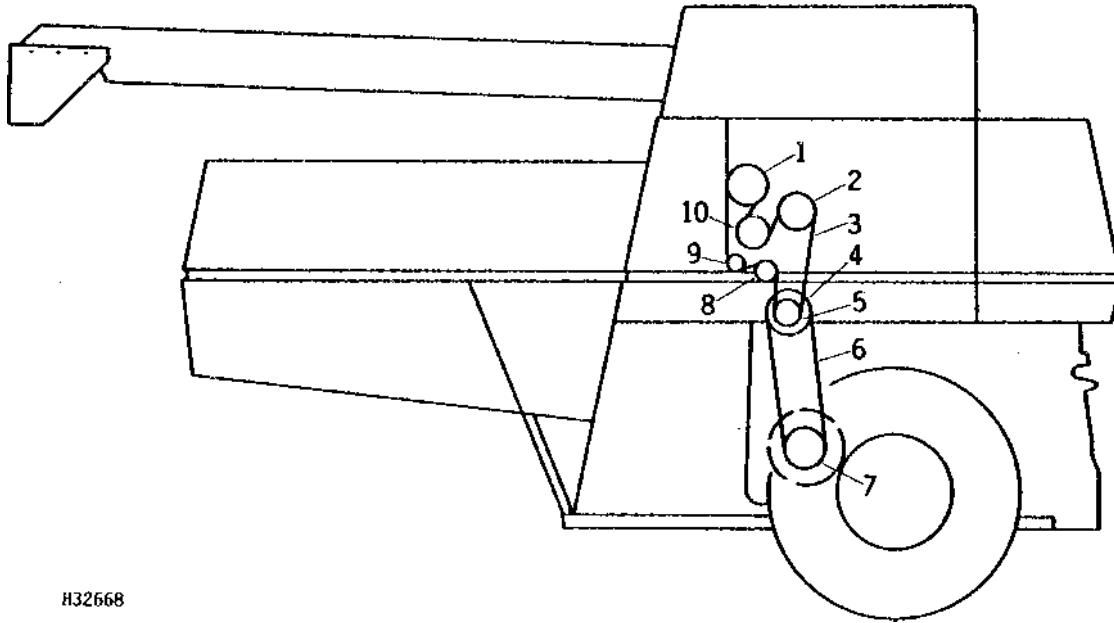
2J14

DECALS, BELTS, AND CHAINS

CLEAN GRAIN ELEVATOR AND LOADING AUGER DRIVE SHEAVES AND BELTS

H32668

-UN-01JAN94



H32668

KEY	PART NO.	PART NAME	QTY	SERIAL NO.	REMARKS
1	AH75986	PULLEY	1		CLEAN GRAIN ELEVATOR DRIVE SHAFT, 270 MM (10-5/8") DIA.
2	H89084	HALF SHEAVE	1		LOADING AUGER, 267 MM (10-1/2") DIA.
3	H77766	BELT	1		DRIVE, CLEAN GRAIN ELEVATOR AND LOADING AUGER DRIVE
4	AH75987	PULLEY	1	-463600	INNER, CLEAN GRAIN ELEVATOR COUNTERSHAFT, 297 MM (11-3/4") DIA.
	AH75986	PULLEY	1	463601-	INNER, CLEAN GRAIN ELEVATOR COUNTERSHAFT, 270 MM (10-5/8") DIA.
5	AH75984	PULLEY	1		OUTER, CLEAN GRAIN ELEVATOR COUNTERSHAFT, 245 MM (9-5/8") DIA.
6	H27433	BELT	1		DRIVE, CLEAN GRAIN ELEVATOR COUNTERSHAFT
7	AH97033	SHEAVE	1	-463600	DOUBLE, CLEAN GRAIN ELEVATOR AND SECONDARY COUNTERSHAFT, 241 MM AND 610 MM (9-1/2" AND 24") DIAS. (SUB AH104783, AH104782, H105618, (6) 19H1801, (6) 12H304 AND (6) 14H812)
	AH107084	SHEAVE	1	463600-463600	DOUBLE, CLEAN GRAIN ELEVATOR AND SECONDARY COUNTERSHAFT, 266 MM AND 610 MM (10-1/2" AND 24") DIAS. (SUB AH107379, AH104783, H105618, (6) 19H1801, (6) 12H304 AND (6) 14H812)
	AH107379	PULLEY	1		CLEAN GRAIN ELEVATOR, 266 MM (10-1/2") DIA.
8	AH14097	SHEAVE	1		TIGHTENER, 178 MM (7") DIA.
9	AH65015	SHEAVE	1		IDLER, 133 MM (5-1/4") DIA.
10	AH94450	IDLER	1		222 MM (8-3/4") DIA.

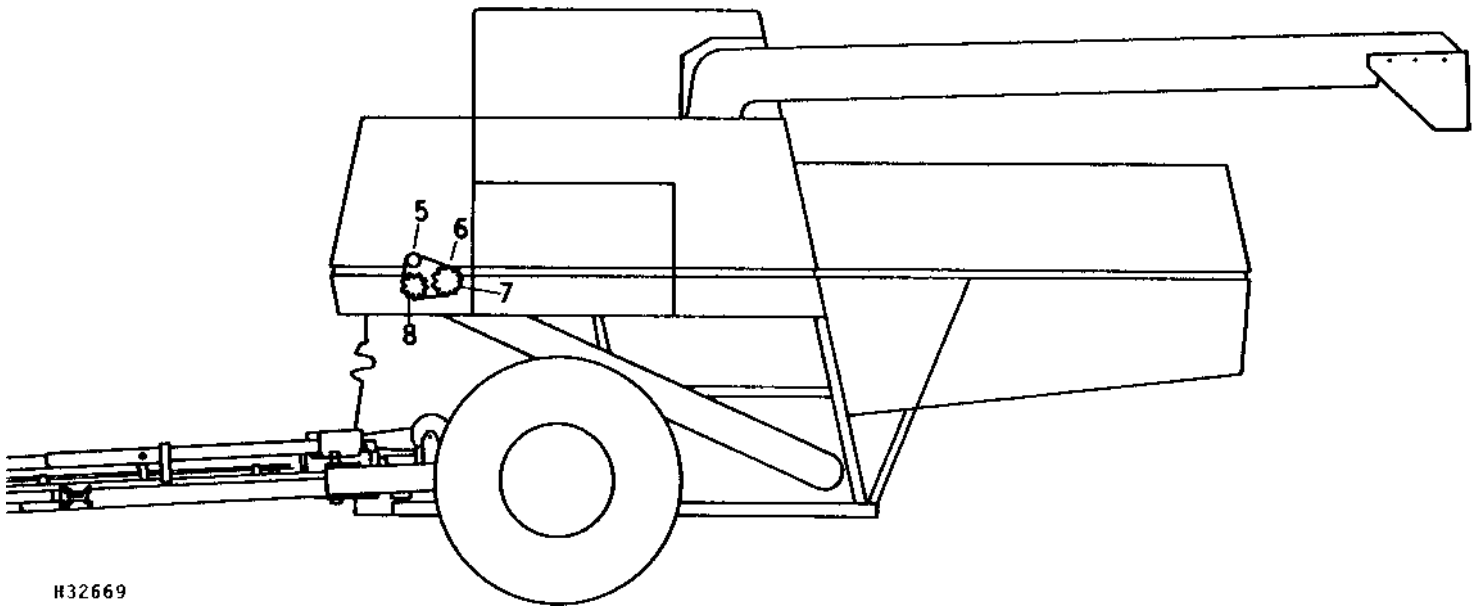
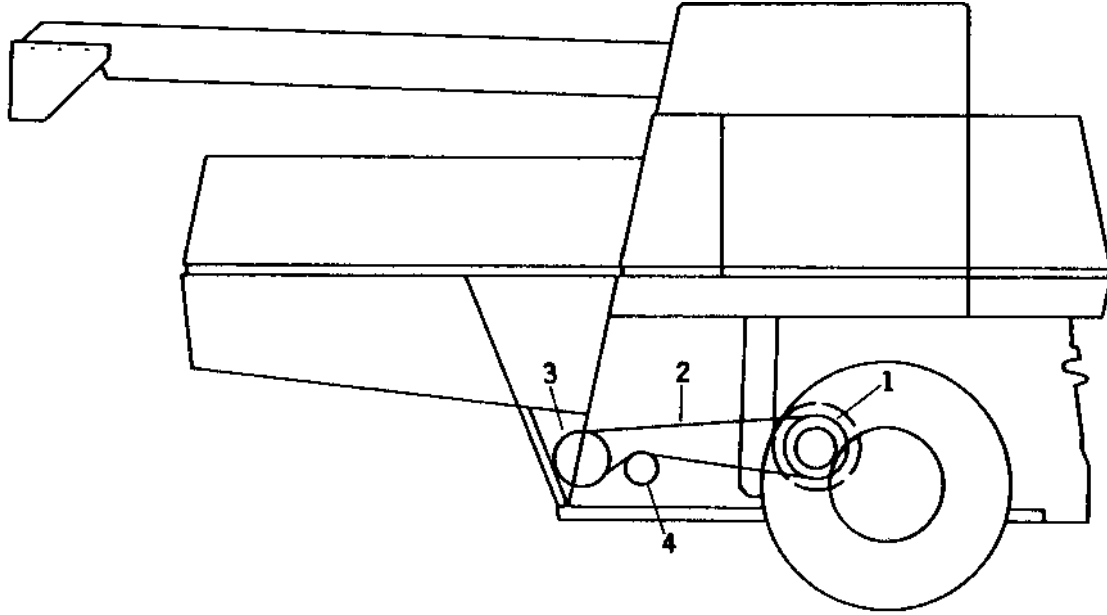
2J15

DECALS, BELTS, AND CHAINS

TAILINGS ELEVATOR AND AUGER DRIVE SHEAVES AND SPROCKETS

H32669

-UN-01JAN94



H32669

2J16

DECALS, BELTS, AND CHAINS

TAILINGS ELEVATOR AND AUGER DRIVE SHEAVES AND SPROCKETS - CONTINUED

KEY	PART NO.	PART NAME	QTY	SERIAL NO.	REMARKS
1	AH97032	SHEAVE	1	-610600	DOUBLE, DRIVE, SUPPLY AUGERS AND TAILINGS AUGER SECONDARY COUNTERSHAFT, 165 MM AND 216 MM (6-1/2" AND 8-1/2") DIAS.
	AH115305	SHEAVE	1	610601-	DOUBLE DRIVE, SUPPLY AUGERS AND TAILINGS AUGER, SECONDARY COUNTERSHAFT, 165 MM AND 241 MM (6-1/2" AND 9-1/2") DIAS.
2	N110085	BELT	1	-610600	(SUB H118730, THIS APPLICATION)
	H118730	BELTING	1		DRIVE, TAILINGS AUGER
3	AH75988	SHEAVE	1	-610600	(SUB AH118447, THIS APPLICATION)
	AH118447	SHEAVE	1		DRIVEN, 297 MM (11") DIA.
4	AH14097	SHEAVE	1		TIGHTENER, 179 MM (7") DIA.
5	H98970	TIGHTENER	1	-514664	(SUB H109736)
	H109736	TIGHTENER	1		
6	LINK CHAIN	1		DRIVE, TAILINGS UPPER AUGER, TYPE 50, 16 MM (5/8") PITCH, 51 LINKS, (ASSEMBLE FROM AP6093H AND P20352)
7	AH87146	CHAIN SPROCKET	1		TAILINGS ELEVATOR, 26 TEETH
8	AH93708	CHAIN SPROCKET	1	-610600	22 TEETH
	AH115317	CHAIN SPROCKET	1	610610-	TAILINGS UPPER AUGER, 18 TEETH

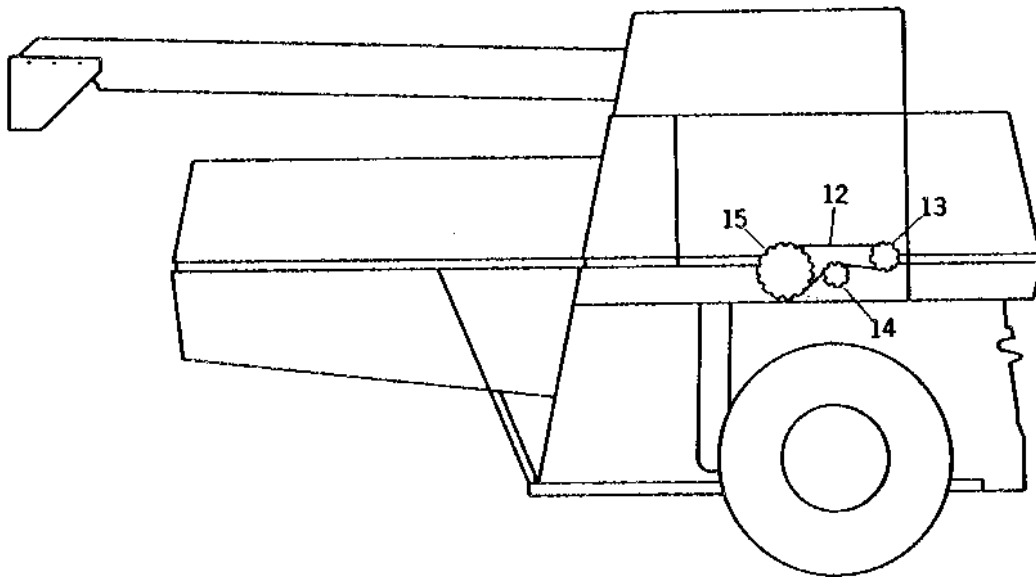
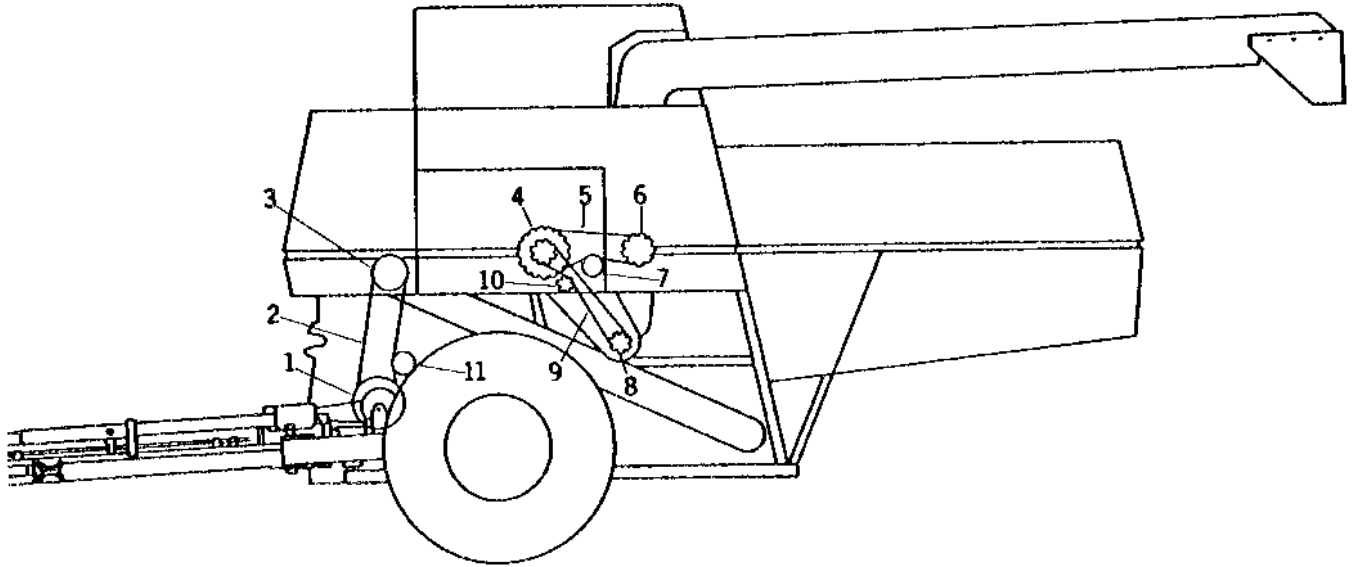
2J17

DECALS, BELTS, AND CHAINS

CROSS, UNLOADING, AND VERTICAL UNLOADING AUGER DRIVES

H32670

-UN-01JAN94



H32670

2J18

DECALS, BELTS, AND CHAINS

CROSS, UNLOADING, AND VERTICAL UNLOADING AUGER DRIVES - CONTINUED

KEY	PART NO.	PART NAME	QTY	SERIAL NO.	REMARKS
1	H93876	SHEAVE	1		DRIVE, MULTI-GROOVED (GEAR BOX OUTPUT SHAFT) 362 MM AND 389 MM (14-1/4" AND 15-5/16") DIAS.
2	H23950	BELT	1		UNLOADING AUGER COUNTERSHAFT
3	H93959	SHEAVE	1		DRIVEN, UNLOADING AUGER, 269 MM (10-39/64") DIA.
4	AH100031	CHAIN SPROCKET	1		DOUBLE, 25-43 TEETH
5	LINK CHAIN	1		ROLLER, TYPE 50, .63 MM (5/8") PITCH, 100 LINKS, (ASSEMBLE FROM (2) AP6093H)
6	AH100030	CHAIN SPROCKET	1	-600000	29 TEETH, (SUB AH114726)
	AH114726	CHAIN SPROCKET	1		35 TEETH
7	AH83654	IDLER	1		
8	AH96592	CHAIN SPROCKET	1		18 TEETH
9	LINK CHAIN	1		ROLLER, TYPE 60, .75 MM (3/4") PITCH, 133 LINKS, (ASSEMBLE FROM (2) AB1288H, (3) AP22460, B5234H, B5235H AND B5321H)
10	AH89429	CHAIN SPROCKET	1		TIGHTENER, 15 TEETH
11	AH66202	SHEAVE	1		TIGHTENER, UNLOADING AUGER COUNTERSHAFT, 197 MM (7-3/4") DIA.
12	LINK CHAIN	1		ROLLER, TYPE 60, 19 MM (3/4") PITCH, 108 LINKS, (ASSEMBLE FROM (2) AB1288H, (4) B5234H AND B5235H)
13	AH96703	CHAIN SPROCKET	1		UNLOADING AUGER COUNTERSHAFT, 15-TEETH
14	AH89429	CHAIN SPROCKET	1		TIGHTENER, 15 TEETH
15	H100678	CHAIN SPROCKET	1		FRONT CROSS AUGER, 80 TEETH

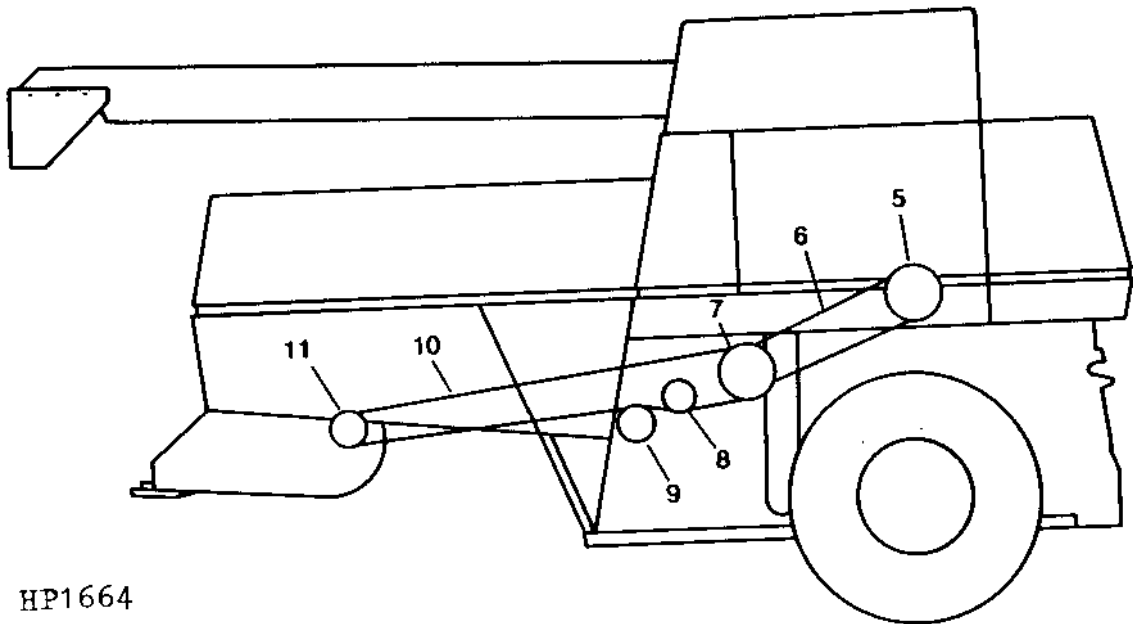
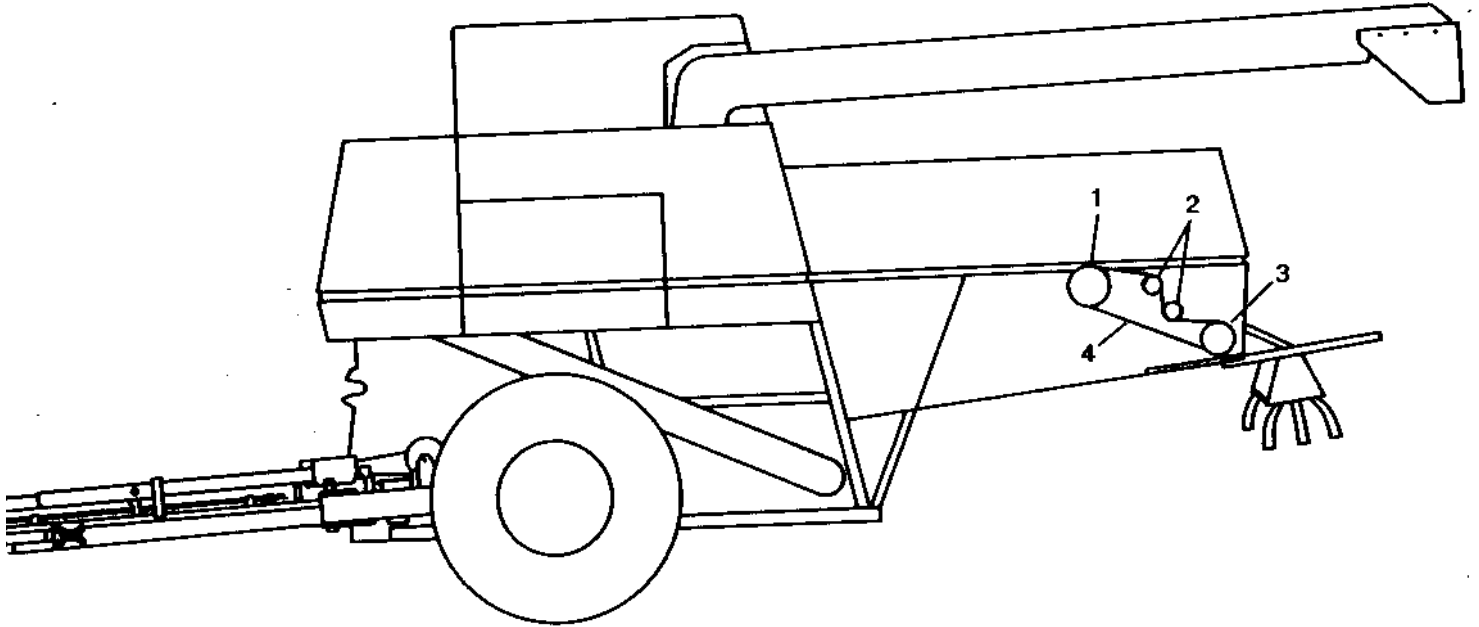
2J19

DECALS, BELTS, AND CHAINS

HP1664

-UN-01JAN94

STRAW SPREADER AND STRAW CHOPPER DRIVE



HP1664

2J20

DECALS, BELTS, AND CHAINS

STRAW SPREADER AND STRAW CHOPPER DRIVE - CONTINUED

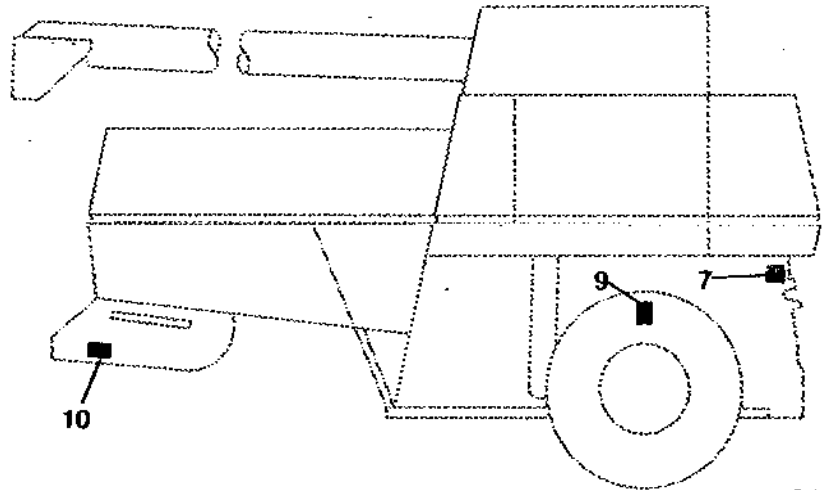
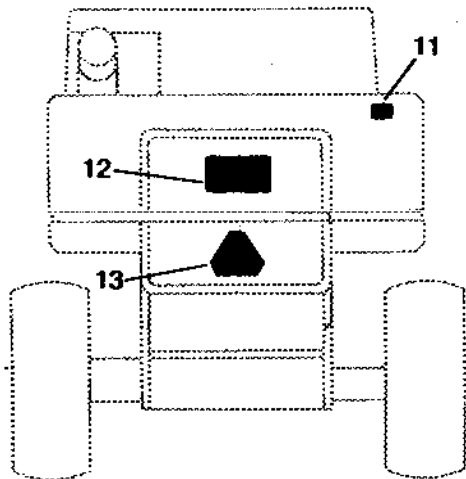
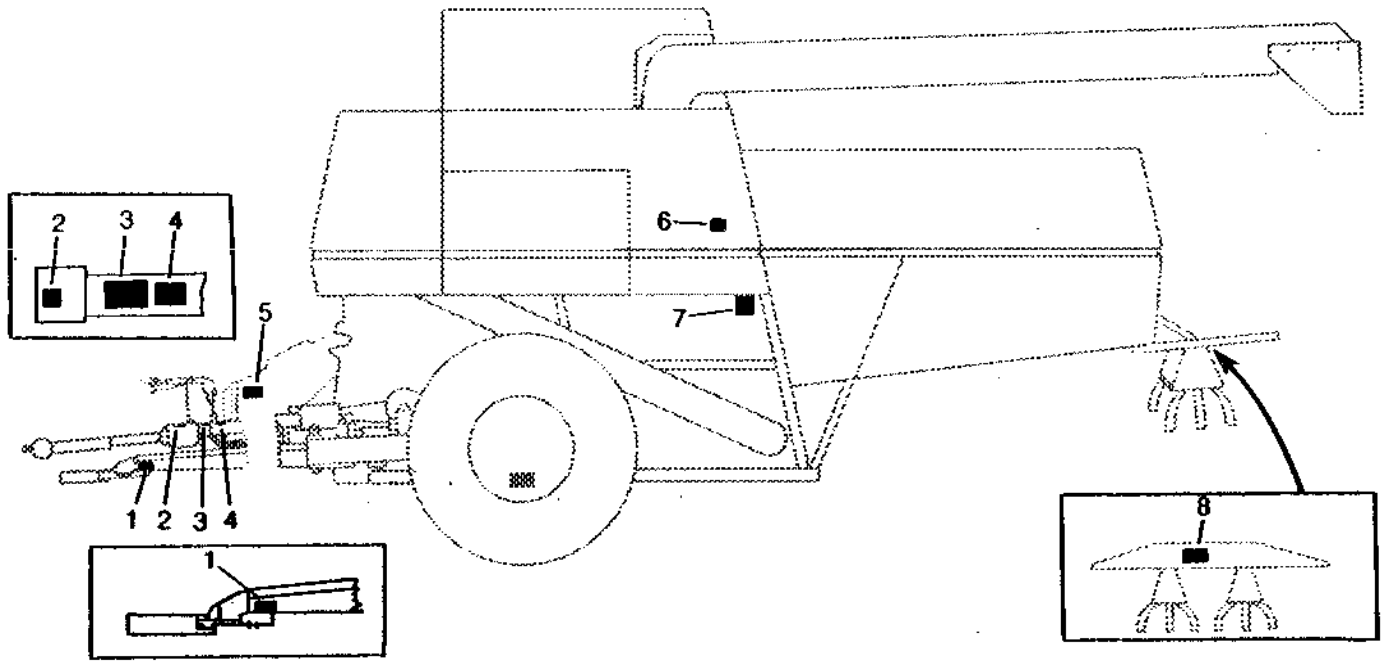
KEY	PART NO.	PART NAME	QTY	SERIAL NO.	REMARKS
1	AH93058	SHEAVE	1		DRIVE, STRAW SPREADER, 229 MM (9") DIA.
2	AH110224	IDLER	2	562901-	
3	AH93057	SHEAVE	1		DRIVEN, 152 MM (6") DIA.
4	H94254	BELT	1	-562900	DRIVE, FRONT, STRAW SPREADER
	H112421	BELT	1	562901-	
5	H94268	SHEAVE	1		DRIVE, STRAW CHOPPER, PRIMARY COUNTERSHAFT, 292 MM (11-1/2") DIA.
6	H101436	BELT	1		
7	H91834	SHEAVE	1		TIGHTENER, STRAW CHOPPER, 242 MM (9-1/2") AND 308 MM (12") DIAS.
8	AN15237	IDLER	1		202 MM (7-15/16") DIA.
9	AH97031	IDLER	1		222 MM (8-3/4") DIA.
10	H92080	BELT	1	-414100	(SUB H103344)
	H103344	BELT	1		DRIVE, REAR, STRAW CHOPPER
11	AH95486	SHEAVE	1		240 MM (9-1/2") DIA.

2J21

HP1911

-UN-01JAN94

WARNING AND CAUTION DECALS



HP1911

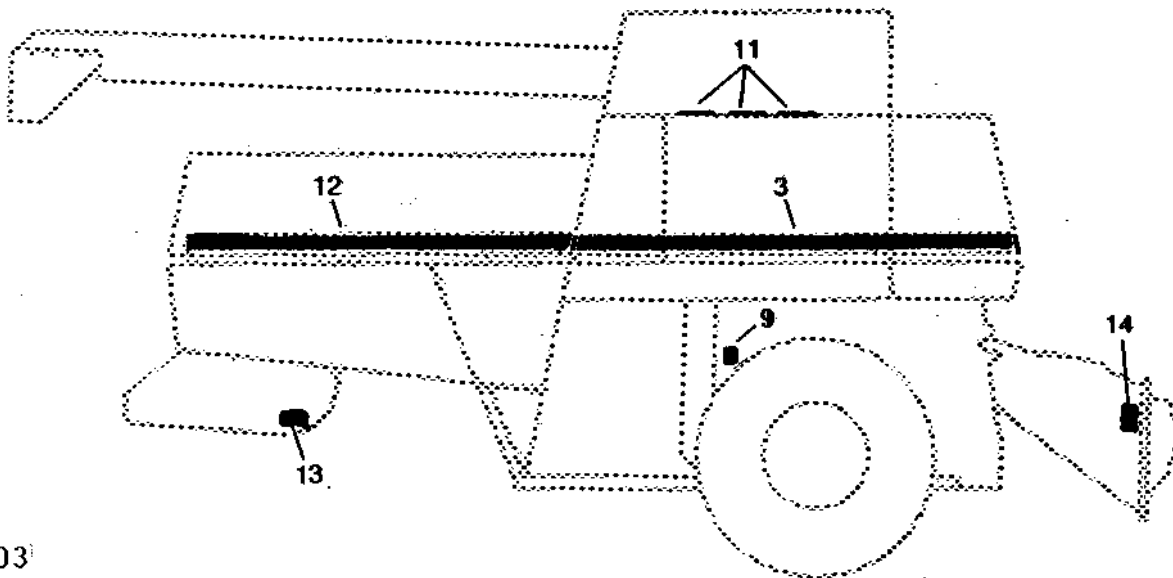
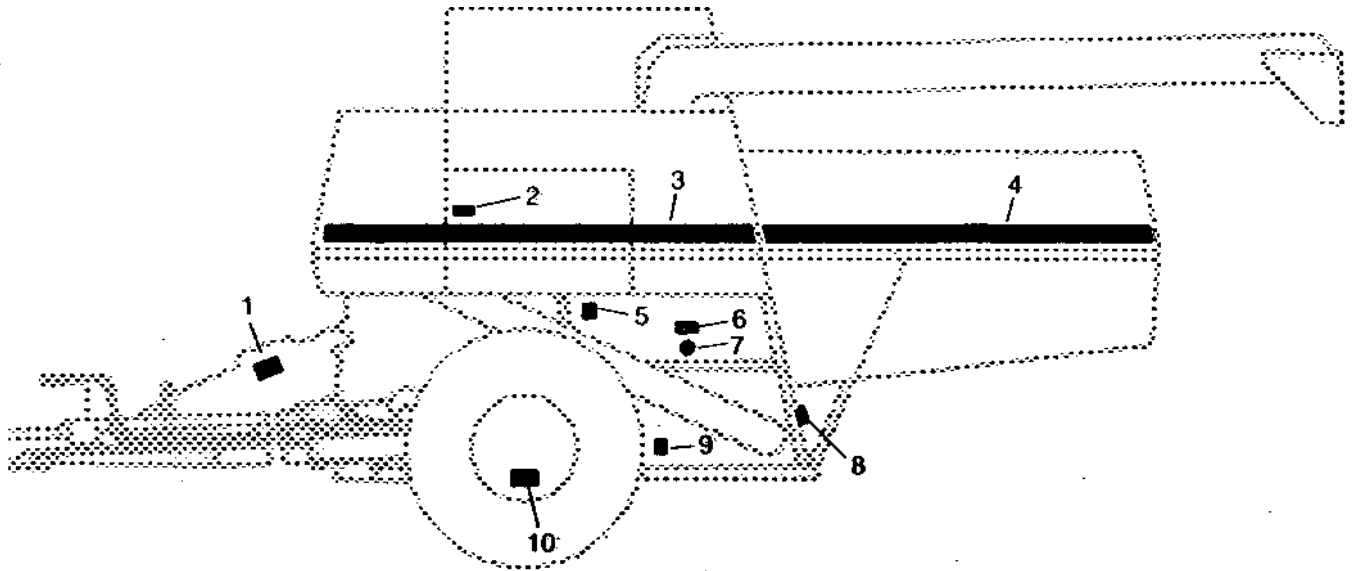
WARNING AND CAUTION DECALS - CONTINUED

KEY	PART NO.	PART NAME	QTY	SERIAL NO.	REMARKS
1	H81662	DECAL	1		"WARNING" (HITCH TUBE)
2	JD5439	DECAL	1	-610600	"WARNING" (1000 RPM) (KIT AH101947)
	E74026	DECAL	1	610601-	"DANGER"
3	H96132	DECAL	1		"WARNING" (DRIVE LINE) (KIT AH101947)
4	GN11175	DECAL	1		"CAUTION" (TOWING) (KIT AH101947)
5	H100065	DECAL	2		"WARNING" (RAM SAFETY STOP) (KIT AH101947)
6	H110197	LABEL	1	463601-513692	"WARNING" (LOWER VERTICAL AUGER HOUSING) (KIT AH101947) (SUB H113895)
	H113895	LABEL	1		"WARNING" (LOWER VERTICAL AUGER HOUSING) (KIT AH101947)
7	JD5255	DECAL	2		"CAUTION", (KIT AH101947)
8	H100209	DECAL	1	-562900	"WARNING" (STRAW CHOPPER AND STRAW SPREADER)
	H110438	DECAL	1	562901-	"WARNING" (CYLINDER INTERMEDIATE DRIVE)
9	H97064	DECAL	1	-562900	"WARNING" (VARIABLE CYLINDER DRIVE) (KIT AH101947)
	H110438	DECAL	1	562901-	"WARNING" (VARIABLE CYLINDER DRIVE)
10	H80596	DECAL	2		"WARNING" (STRAW CHOPPER)
11	H85398	DECAL	1		"WARNING" (GRAIN TANK) (KIT AH101947)
12	JD5592	DECAL	2		"LEAPING DEER", 16-5/8", (KIT AH101947)
13	JD5401	SMV EMBLEM	1		SLOW MOVING VEHICLE, (KIT AH101947)

2J23

HP1603 -UN-01JAN94

DECALS



HP1603

DECALS - CONTINUED

KEY	PART NO.	PART NAME	QTY	SERIAL NO.	REMARKS
1	H86564	DECAL	1		REGULAR FEEDER HOUSE FIXED BELT DRIVE
2	H105899	DECAL	1		HYDRAULIC RESERVOIR
3	H99988	DECAL	2	-610600	GRAIN TANK, L.H. AND R.H. (KIT AH101947)
	H123255	DECAL	2	610601-	GRAIN TANK, L.H. AND R.H. (KIT AH120143)
4	H99997	DECAL	1	-610600	"JOHN DEERE" (L.H., REAR HOOD) (KIT AH101947)
	H123257	DECAL	1	610601-	"JOHN DEERE" (L.H. REAR HOOD) (KIT AH120143)
5	H86381	DECAL	1		WALKER AND SHOE DRIVE CHAINS, (KIT AH101947)
6	H98402	DECAL	1		VARIABLE SPEED FAN INDICATOR, (KIT AH101947)
7	H80796	DECAL	1		VARIABLE SPEED FAN HANDWHEEL, (KIT AH101947)
8	H86800	SERIAL NUMBER PLATE	1		
9	H79287	DECAL	2		FAN DUCTS, (KIT AH101947)
10	H79317	DECAL	2	-562900	WHEEL BOLT TORQUE (300 FT-LBS) (SUB H115673)
	H115673	DECAL	2		WHEEL BOLT TORQUE (425 FT-LBS)
11	H33629	MAT	6		
12	H99996	DECAL	1	-610600	"JOHN DEERE" (R.H., REAR HOOD) (KIT AH101947)
	H123256	DECAL	1	610601-	"JOHN DEERE" (R.H. REAR HOOD) (KIT AH120143)
13	H80034	DECAL	1		STRAW CHOPPER DRIVE
14	H84947	LABEL	1	-610600	(SUB H123351)
	H123351	LABEL	1		"FEEDER DRUM HEIGHT ADJUSTMENT"

2J25

DECALS, BELTS, AND CHAINS

DECAL KIT (NOT ILLUSTRATED)

KEY	PART NO.	PART NAME	QTY	SERIAL NO.	REMARKS
..	AH101947	DECAL KIT	1	-610600	
..	AH120143	DECAL KIT	1	610601-	CONSISTS OF:
..			1		"CAUTION" (TOWING)
..			1		FAN DUCTS
..			1		CYLINDER SPEED INDICATOR
..			1		VARIABLE SPEED FAN HANDWHEEL
..			1		"WARNING" (HITCH TUBE)
..			1		HYDRAULIC RESERVOIR
..			1		"WARNING" (GRAIN TANK)
..			1		WALKER AND SHOE DRIVE CHAINS
..			1		"WARNING" (DRIVE LINE)
..			1		"WARNING" (VARIABLE CYLINDER DRIVE)
..			1		VARIABLE SPEED FAN INDICATOR
..			1		GRAIN TANK (R.H. AND L.H.)
..			1		REAR HOOD (R.H.)
..			1		REAR HOOD (L.H.)
..			1		"WARNING" (RAM SAFETY STOP)
..			1		"CAUTION"
..			1		SLOW MOVING VEHICLE
..			1		"WARNING" (1000 RPM)
..			1		LEAPING DEER (16-5/8")
..			1		"WARNING" (LOWER VERTICAL AUGER HOUSING)
..	H79908	DECAL	1		CYLINDER SPEED INDICATOR, (KIT AH101947)
..	H116355	DECAL	1		P.T.O. DRIVE LINE ALIGNMENT
..	H123256	DECAL	1	610601-	"JOHN DEERE" (R.H. REAR HOOD) (KIT AH120143)
..	H123257	DECAL	1	610601-	"JOHN DEERE" (L.H. REAR HOOD) (KIT AH120143)

NUMERICAL INDEX

PART NO.	GRID	KEY	PAGE	PART NO.	GRID	KEY	PAGE	PART NO.	GRID	KEY	PAGE
AA5607R	2A23	11	120-7	AH100030	2J18	6	170-13	AH101947	2J22	5	170-17
AB1288H	2D9	10	120-71	AH100031	2G24	24	130-17	AH101947	2J22	6	170-17
AB1288H	2G24	3	130-17	AH100031	2J18	4	170-13	AH101947	2J22	7	170-17
AB1288H	2G24	25	130-17	AH100065	1E2	38	70-25	AH101947	2J22	9	170-17
AB1288H	2I11	8	140-15	AH100065	2J9	6	170-4	AH101947	2J22	11	170-17
AB1288H	2J12	2	170-7	AH100297	1D13	13	70-11	AH101947	2J22	12	170-17
AB1288H	2J18	9	170-13	AH100307	1D15	26	70-13	AH101947	2J22	13	170-17
AB1288H	2J18	12	170-13	AH100308	1E11	12	70-35	AH101947	2J24	3	170-19
AB1289H	2D9	10	120-71	AH100338	1E13	11	70-37	AH101947	2J24	4	170-19
AB1289H	2D12	6	120-75	AH100339	1E13	12	70-37	AH101947	2J24	5	170-19
AB1289H	2D22	10	120-85	AH100346	1E13	25	70-37	AH101947	2J24	6	170-19
AB1289H	2D23	4	120-87	AH100347	1D11	7	70-9	AH101947	2J24	7	170-19
AB1289H	2G24	3	130-17	AH100361	1D13	3	70-11	AH101947	2J24	9	170-19
AB1289H	2I11	8	140-15	AH100372	1B14	15	40-25	AH101947	2J24	12	170-19
AB1289H	2I11	10	140-15	AH101122	2G18	5	130-11	AH101947	2J25	..	170-20
AB1289H	2J12	2	170-7	AH101152	1G4	26	110-11	AH102043	2H15	35	130-33
AB1289H	2J12	7	170-7	AH101191	1E15	16	70-39	AH102055	1D15	..	70-13
AB1290H	2D9	10	120-71	AH101192	1E15	3	70-39	AH102055	1D21	9	70-19
AB1290H	2D12	6	120-75	AH101192	1E15	4	70-39	AH102056	1D15	..	70-13
AB1290H	2D22	10	120-85	AH101192	1E15	5	70-39	AH102056	1D23	7	70-21
AB1290H	2D23	4	120-87	AH101192	1E15	6	70-39	AH102397	2F3	18	120-119
AB1290H	2G24	3	130-17	AH101192	1E15	7	70-39	AH102538	2A25	20	120-9
AB1290H	2G24	25	130-17	AH101192	1E15	8	70-39	AH102543	2E21	4	120-111
AB1290H	2I11	8	140-15	AH101192	1E15	9	70-39	AH102689	1A17	17	40-3
AB1290H	2I11	10	140-15	AH101192	1E15	12	70-39	AH102690	1A17	22	40-3
AB1290H	2J12	2	170-7	AH101192	1E15	13	70-39	AH102691	1B2	6	40-13
AB1290H	2J12	7	170-7	AH101192	1E15	..	70-39	AH102692	1B6	18	40-17
AB2599R	1B18	15	40-29	AH101192	1E23	10	70-47	AH102718	2G16	15	130-9
AC11779	2E12	18	120-101	AH101244	2C6	20	120-41	AH102726	1G4	25	110-11
AC11779	2E24	14	120-114	AH101244	2C7	1	120-43	AH102733	2C16	5	120-53
AC11779	2E25	14	120-115	AH101244	2C9	28	120-45	AH102734	2C16	6	120-53
AC14974	1G8	5	110-15	AH101244	2J11	1	170-6	AH103497	1E11	3	70-35
AC14974	2E12	18	120-101	AH101245	2B8	4	120-17	AH103544	2E10	3	120-99
AC14974	2E24	14	120-114	AH101245	2B10	5	120-19	AH103728	2G25	12	130-18
AC14974	2E25	14	120-115	AH101245	2C6	18	120-41	AH103735	1D2	2	50-21
AD2062R	1B18	9	40-29	AH101245	2C11	27	120-47	AH103735	1D2	5	50-21
AE28050	1E2	17	70-25	AH101245	2J11	1	170-6	AH104380	2J2	4	160-13
AE28051	1E2	16	70-25	AH101269	1E2	2	70-25	AH104782	2I11	26A	140-15
AE30034	1C17	10	50-11	AH101269	1E2	3	70-25	AH104782	2J14	7	170-9
AE30034	1C19	18	50-13	AH101269	1E2	4	70-25	AH104783	2I11	26A	140-15
AE30034	1C21	18	50-15	AH101269	1E2	5	70-25	AH104783	2I11	26B	140-15
AE30794	2A25	4	120-9	AH101269	1E2	6	70-25	AH104783	2J14	7	170-9
AE34929	1C17	12	50-11	AH101269	1E2	8	70-25	AH105068	2B24	8	120-35
AE34929	1C17	13	50-11	AH101269	1E2	9	70-25	AH105087	1E15	17	70-39
AE34929	1C17	14	50-11	AH101269	1E2	19	70-25	AH105087	1E17	17	70-41
AE34929	1C17	15	50-11	AH101269	1E2	20	70-25	AH10515	2I11	14	140-15
AE34929	1C17	16	50-11	AH101269	1E2	21	70-25	AH105292	1G4	10	110-11
AE35771	1E2	19	70-25	AH101269	1E2	22	70-25	AH105293	1G4	25	110-11
AE35771	1E6	15	70-29	AH101269	1E2	23	70-25	AH105371	2A25	24	120-9
AE37061	1D15	..	70-13	AH101269	1E2	..	70-25	AH105503	2E6	7	120-95
AE37061	1D17	4	70-15	AH101269	1E6	16	70-29	AH105503	2E23	13	120-113
AH100009	2C20	7	120-57	AH101274	2I17	17	160-3	AH105968	1E11	3	70-35
AH100009	2J12	5	170-7	AH101301	2H1	8	130-19	AH106042	2I13	24	140-17
AH100010	2I11	5	140-15	AH101328	1A24	5	40-11	AH106280	2B24	5	120-35
AH100010	2J12	9	170-7	AH101397	2C5	5	120-40	AH106296	2A25	16	120-9
AH100011	1B6	6	40-17	AH101397	2C5	9	120-40	AH106296	2A25	20	120-9
AH100011	1B8	17	40-19	AH101397	2C6	5	120-41	AH106296	2B2	13	120-11
AH100012	1B6	8	40-17	AH101424	2C6	9	120-41	AH106431	2A25	20	120-9
AH100012	1B8	9	40-19	AH101474	2C9	3	120-45	AH106723	2B24	3	120-35
AH100013	1B6	13	40-17	AH101530	2H13	9	130-31	AH106770	2D18	1	120-81
AH100013	1B8	19	40-19	AH101608	1G4	10	110-11	AH106771	2D18	1	120-81
AH100014	1B6	7A	40-17	AH101632	2A25	24	120-9	AH106772	2D18	1	120-81
AH100015	1B6	12A	40-17	AH101927	2H15	37	130-33	AH106900	2H15	3	130-33
AH100021	1B14	3	40-25	AH101933	2H1	7	130-19	AH106900	2H17	3	130-35
AH100022	1B14	22	40-25	AH101947	2J22	2	170-17	AH106900	2H20	3	130-39
AH100022	1B16	8	40-27	AH101947	2J22	3	170-17	AH106900	2H20	4	130-39
AH100030	2G25	16	130-18	AH101947	2J22	4	170-17	AH106900	2H20	5	130-39

NUMERICAL INDEX - CONTINUED

PART NO.	GRID	KEY	PAGE	PART NO.	GRID	KEY	PAGE	PART NO.	GRID	KEY	PAGE
AH106900	2H20	6	130 - 39	AH109797	1B10	13	40 - 21	AH112739	1B8	34	40 - 19
AH106931	2G20	24	130 - 13	AH110224	2G4	2	120 - 147	AH112739	1B10	34	40 - 21
AH107036	1B20	18B	40 - 31	AH110224	2J20	2	170 - 15	AH112742	1E19	16	70 - 43
AH107036	1B21	18B	40 - 32	AH110307	2A25	24	120 - 9	AH112765	1D10	1	70 - 7
AH107084	2I11	26A	140 - 15	AH110307	2B2	21	120 - 11	AH112768	1D8	1	70 - 5
AH107084	2J14	7	170 - 9	AH110370	2I15	14	160 - 1	AH112865	2H20	3	130 - 39
AH107098	2G20	28	130 - 13	AH110370	2I20	15	160 - 7	AH112865	2H20	6	130 - 39
AH107379	2I11	26A	140 - 15	AH110652	2E6	6	120 - 95	AH112883	2B12	11	120 - 21
AH107379	2I11	27	140 - 15	AH110685	1F8	1	80 - 3	AH113233	2D2	11	120 - 63
AH107379	2J14	7	170 - 9	AH110740	1G8	6	110 - 15	AH113359	2C11	3	120 - 47
AH107442	2E2	6	120 - 91	AH110887	2B12	24	120 - 21	AH113361	2C11	2	120 - 47
AH107809	2C5	5	120 - 40	AH111135	2B2	17	120 - 11	AH113443	2B24	5	120 - 35
AH107809	2C5	9	120 - 40	AH111146	1G4	26	110 - 11	AH113443	2B24	8	120 - 35
AH107826	1E17	16	70 - 41	AH111180	1G4	28	110 - 11	AH113501	2H20	11	130 - 39
AH107827	1E17	3	70 - 41	AH111188	1F25	21	110 - 7	AH113767	2I1	8	140 - 5
AH107827	1E17	4	70 - 41	AH111211	2C16	5	120 - 53	AH113883	2D2	11	120 - 63
AH107827	1E17	5	70 - 41	AH111212	2C16	7	120 - 53	AH114312	1E19	19	70 - 43
AH107827	1E17	6	70 - 41	AH111270	2A18	6	120 - 1	AH114382	2I17	18	160 - 3
AH107827	1E17	7	70 - 41	AH111354	2H20	7	130 - 39	AH114383	2I17	5	160 - 3
AH107827	1E17	8	70 - 41	AH111379	2I7	24	140 - 11	AH114384	2C16	5	120 - 53
AH107827	1E17	9	70 - 41	AH111379	2J10	1	170 - 5	AH114385	2C16	6	120 - 53
AH107827	1E17	12	70 - 41	AH111390	2H9	20	130 - 27	AH114426	2H7	14	130 - 25
AH107827	1E17	13	70 - 41	AH111411	2A19	6	120 - 3	AH114466	1B14	3	40 - 25
AH107827	1E17	..	70 - 41	AH111411	2F10	6	120 - 127	AH114501	2B8	13	120 - 17
AH107827	1E25	10	70 - 49	AH111432	2F14	3	120 - 131	AH114501	2B10	16	120 - 19
AH107894	1E15	1	70 - 39	AH111439	2A23	2	120 - 7	AH114502	2B8	13	120 - 17
AH107894	1E17	1	70 - 41	AH111447	2B4	13	120 - 13	AH114502	2B10	16	120 - 19
AH107895	1E15	18	70 - 39	AH111447	2B6	16	120 - 15	AH114503	2B8	15	120 - 17
AH107895	1E17	18	70 - 41	AH111447	2J10	6	170 - 5	AH114503	2B10	18	120 - 19
AH107941	2F5	25	120 - 121	AH111452	2B14	6	120 - 23	AH114639	2G12	4	130 - 5
AH108246	1F10	3	80 - 5	AH111469	2H9	6	130 - 27	AH114642	2H15	5	130 - 33
AH108350	1F12	12	80 - 7	AH111473	2C7	14	120 - 43	AH114642	2H17	5	130 - 35
AH108350	2F14	3	120 - 131	AH111474	2C7	5	120 - 43	AH114716	2G25	12	130 - 18
AH108376	2F14	3	120 - 131	AH111477	2C7	4	120 - 43	AH114726	2G25	16	130 - 18
AH108414	2J2	8	160 - 13	AH111485	2I22	1	160 - 9	AH114726	2J18	6	170 - 13
AH108467	1B14	3	40 - 25	AH111646	2F16	13	120 - 133	AH114741	2H9	19	130 - 27
AH108480	2J2	6	160 - 13	AH111646	2F18	8	120 - 135	AH114741	2H9	20	130 - 27
AH108502	1D2	5	50 - 21	AH111647	2F16	19	120 - 133	AH114742	2H9	6	130 - 27
AH108530	2C9	3	120 - 45	AH111647	2F18	16	120 - 135	AH114776	1G9	1	110 - 16
AH108530	2C9	4	120 - 45	AH111700	1G4	10	110 - 11	AH114798	1F8	1	80 - 3
AH108530	2C9	14	120 - 45	AH111701	1G4	25	110 - 11	AH114799	1F10	3	80 - 5
AH108735	2B24	5	120 - 35	AH112051	2G18	1	130 - 11	AH114803	2C9	14	120 - 45
AH108767	2B10	8	120 - 19	AH112077	2E23	15	120 - 113	AH114803	2C11	11	120 - 47
AH108768	2B10	11	120 - 19	AH112084	2E25	7	120 - 115	AH114857	2A18	6	120 - 1
AH108801	2B12	7	120 - 21	AH11211	1C9	5	50 - 3	AH114890	1F8	1	80 - 3
AH108813	2B2	6	120 - 11	AH112162	2F16	13	120 - 133	AH114891	1F10	3	80 - 5
AH108818	2I13	23	140 - 17	AH112162	2F18	13	120 - 135	AH114899	1E19	15	70 - 43
AH108865	2B24	8	120 - 35	AH112163	2F16	19	120 - 133	AH114900	1E19	3	70 - 43
AH108867	2I7	31	140 - 11	AH112163	2F18	19	120 - 135	AH114900	1E19	4	70 - 43
AH108867	2I7	33	140 - 11	AH112164	2E4	5	120 - 93	AH114900	1E19	5	70 - 43
AH108867	2I7	34	140 - 11	AH112164	2E6	8	120 - 95	AH114900	1E19	6	70 - 43
AH108904	2B10	24	120 - 19	AH112220	2F22	10	120 - 139	AH114900	1E19	7	70 - 43
AH108918	2E12	5B	120 - 101	AH112271	2F18	13	120 - 135	AH114900	1E19	8	70 - 43
AH108934	2A23	24	120 - 7	AH112272	2F18	19	120 - 135	AH114900	1E19	11	70 - 43
AH108935	2E6	5	120 - 95	AH112326	1G8	1	110 - 15	AH114900	1E19	12	70 - 43
AH108935	2E23	10	120 - 113	AH112395	2F22	1	120 - 139	AH114900	1F2	9	70 - 51
AH108947	2B6	13	120 - 15	AH112486	1B12	2	40 - 23	AH114901	2F5	25	120 - 121
AH109056	2B12	33	120 - 21	AH112544	2D20	1	120 - 83	AH115199	2D14	24	120 - 77
AH109495	1B20	18A	40 - 31	AH112548	1B22	20	40 - 33	AH115213	2D18	9	120 - 81
AH109495	1B20	18B	40 - 31	AH112549	1B22	7	40 - 33	AH115268	2I11	9	140 - 15
AH109495	1B21	18A	40 - 32	AH112678	1E11	15	70 - 35	AH115268	2J12	8	170 - 7
AH109495	1B21	18B	40 - 32	AH112704	1A23	3	40 - 9	AH115272	1F10	3	80 - 5
AH109690	2G16	15	130 - 9	AH112705	1A23	6	40 - 9	AH115305	2I11	19	140 - 15
AH109791	1B12	4	40 - 23	AH112734	2H9	6	130 - 27	AH115305	2J13	5	170 - 8
AH109793	1B10	29	40 - 21	AH112736	1A19	14	40 - 5	AH115305	2J16	1	170 - 11
AH109794	1B10	7	40 - 21	AH112737	1A19	24	40 - 5	AH115317	2F2	1	120 - 118
AH109796	1B10	31	40 - 21	AH112738	1B4	6	40 - 15	AH115317	2J16	8	170 - 11

NUMERICAL INDEX - CONTINUED

PART NO.	GRID	KEY	PAGE	PART NO.	GRID	KEY	PAGE	PART NO.	GRID	KEY	PAGE
AH115448	1F8	28	80-3	AH121189	1C11	30	50-5	AH129245	1E21	12	70-45
AH115460	1C11	30	50-5	AH121189	1C14	12	50-8	AH129245	1F4	9	70-53
AH116146	2D20	11	120-83	AH122234	1E19	19	70-43	AH129253	1B10	13	40-21
AH116147	2D20	7	120-83	AH122234	1E21	19	70-45	AH129277	2F7	23	120-123
AH116251	2D20	9	120-83	AH122336	2E19	22	120-109	AH129411	1F8	35	80-3
AH116252	2D20	9	120-83	AH122354	1E7	..	70-30	AH129414	1F8	1	80-3
AH116350	2I24	5	160-11	AH122354	1E9	9	70-33	AH130381	2D18	1	120-81
AH116351	2I24	9	160-11	AH122371	1E7	18	70-30	AH130381	2D18	11	120-81
AH116352	2G16	15	130-9	AH122494	1E19	1	70-43	AH130381	2D18	15	120-81
AH116660	2D20	1	120-83	AH122494	2H15	26	130-33	AH130382	2D18	1	120-81
AH116698	1G7	10	110-14	AH122880	1G5	9	110-12	AH130382	2D18	11	120-81
AH116716	1G8	1	110-15	AH123367	2E23	4	120-113	AH130382	2D18	15	120-81
AH116874	2F23	14	120-140	AH123370	2F3	18	120-119	AH130383	2D18	1	120-81
AH116926	1D25	19	70-23	AH123372	2F3	18	120-119	AH130383	2D18	11	120-81
AH116927	1D25	14	70-23	AH123437	2H20	11	130-39	AH130383	2D18	15	120-81
AH116965	2D22	19	120-85	AH123451	1G8	1	110-15	AH130389	2D18	9	120-81
AH116966	2D22	4	120-85	AH123769	1G4	32	110-11	AH130876	2D18	10	120-81
AH117076	2D18	1	120-81	AH123929	2H9	20	130-27	AH131235	2D2	11	120-63
AH117076	2D18	11	120-81	AH123930	2H9	21	130-27	AH131320	1B6	6	40-17
AH117082	2D18	1	120-81	AH124017	2H15	30	130-33	AH131320	1B8	17	40-19
AH117082	2D18	11	120-81	AH124635	2G1	3	120-143	AH131320	1B8	39	40-19
AH117085	2D18	1	120-81	AH124734	1E13	11	70-37	AH132976	2B10	21	120-19
AH117088	2D18	1	120-81	AH124735	1E13	12	70-37	AH132977	2B10	21	120-19
AH117425	2F3	13	120-119	AH124736	2H7	14	130-25	AH132978	2B10	21	120-19
AH117525	1G4	10	110-11	AH124954	1G4	28	110-11	AH132979	2B10	21	120-19
AH117526	1G4	25	110-11	AH124959	1G4	26	110-11	AH139184	2B21	..	120-31
AH117625	2B8	21	120-17	AH125073	2F22	10	120-139	AH14097	2C24	1	120-61
AH117626	2B10	24	120-19	AH125189	1E19	16	70-43	AH14097	2E10	10	120-99
AH117651	2B8	18	120-17	AH125189	1E21	15	70-45	AH14097	2E13	6	120-103
AH117651	2B10	21	120-19	AH125189	1E21	16	70-45	AH14097	2J13	3	170-8
AH117652	2B8	18	120-17	AH125836	2D18	1	120-81	AH14097	2J14	8	170-9
AH117652	2B10	21	120-19	AH125837	2D18	1	120-81	AH14097	2J16	4	170-11
AH117765	2D18	1	120-81	AH125838	2D18	1	120-81	AH15000	1E11	25	70-35
AH117768	2D18	1	120-81	AH125844	2D18	9	120-81	AH15397	2C22	17	120-59
AH117768	2D18	11	120-81	AH125904	2E12	5B	120-101	AH15442	1E2	33	70-25
AH118015	1B6	1	40-17	AH126053	2G12	4	130-5	AH15442	1E4	11	70-27
AH118015	1B8	37	40-19	AH126289	2G12	4	130-5	AH162581	1B14	10	40-25
AH118212	1F8	31	80-3	AH126338	2D14	5	120-77	AH162581	1B16	4	40-27
AH118212	1F10	30	80-5	AH126341	2D14	2	120-77	AH17973	1E2	32	70-25
AH118447	2E19	31	120-109	AH126546	2B8	18	120-17	AH17997	2C22	17	120-59
AH118447	2J16	3	170-11	AH126546	2B10	21	120-19	AH18137	1E2	4	70-25
AH118734	2D14	21	120-77	AH126547	2B8	18	120-17	AH18137	1E6	4	70-29
AH118954	2E23	28	120-113	AH126547	2B10	21	120-19	AH18483	2D12	6	120-75
AH118961	2G16	15	130-9	AH126585	2G18	7	130-11	AH19265	1E2	2	70-25
AH118981	2D18	9	120-81	AH12678	2E21	14	120-111	AH19265	1E6	2	70-29
AH118984	2D18	9	120-81	AH127285	2D18	9	120-81	AH20203	1G5	4	110-12
AH118987	2D18	9	120-81	AH127482	1E21	1	70-45	AH21815	2F7	7	120-123
AH118989	2B24	19	120-35	AH127482	2H17	26	130-35	AH62341	1A17	30	40-3
AH119132	1B10	18	40-21	AH127651	2F3	13	120-119	AH62341	1A19	31	40-5
AH119465	1C11	27	50-5	AH127700	1E11	15	70-35	AH62345	1B22	9	40-33
AH119465	1C11	28	50-5	AH127710	2C4	22	120-39	AH63565	1D13	7	70-11
AH119465	1C11	29	50-5	AH127729	2F5	25	120-121	AH63565	1E13	2	70-37
AH119767	2B10	24	120-19	AH128250	2G1	10	120-143	AH64587	1G10	16	110-17
AH120090	1B10	13	40-21	AH128359	2G1	3	120-143	AH64587	1G10	18	110-17
AH120143	2J24	3	170-19	AH128373	1D10	4	70-7	AH64587	2B8	11	120-17
AH120143	2J24	4	170-19	AH128679	2D18	15	120-81	AH64587	2B10	14	120-19
AH120143	2J24	12	170-19	AH128680	2D18	15	120-81	AH64587	2C9	10A	120-45
AH120143	2J25	..	170-20	AH128681	2D18	14	120-81	AH64587	2C9	10B	120-45
AH120386	1B8	34	40-19	AH128755	2D18	1	120-81	AH64587	2C11	9	120-47
AH120386	1B10	34	40-21	AH128923	2J4	1	160-15	AH64587	2C22	19	120-59
AH120386	2J4	2	160-15	AH129245	1E21	3	70-45	AH64587	2D9	21	120-71
AH120640	2D16	15	120-79	AH129245	1E21	4	70-45	AH64587	2D11	14	120-73
AH120641	2D16	15	120-79	AH129245	1E21	5	70-45	AH64587	2E11	8	120-100
AH121060	1C11	30	50-5	AH129245	1E21	6	70-45	AH64587	2E12	7	120-101
AH121060	1C24	4	50-18	AH129245	1E21	7	70-45	AH64587	2E12	8	120-101
AH121103	1C11	30	50-5	AH129245	1E21	8	70-45	AH64587	2E24	11	120-114
AH121103	1C13	28	50-7	AH129245	1E21	11	70-45	AH64587	2F7	6	120-123

NUMERICAL INDEX - CONTINUED

PART NO.	GRID	KEY	PAGE	PART NO.	GRID	KEY	PAGE	PART NO.	GRID	KEY	PAGE
AH64587	2F24	7	120 - 141	AH76256	2B22	2	120 - 33	AH81166	1E7	9	70 - 30
AH64587	2G4	24	120 - 147	AH76271	1F25	9	110 - 7	AH81166	1E7	..	70 - 30
AH64587	2G24	21	130 - 17	AH76273	1F25	11	110 - 7	AH81166	1E9	9	70 - 33
AH64587	2G25	13	130 - 18	AH76671	1D13	14	70 - 11	AH81167	1E7	3	70 - 30
AH64587	2H11	2	130 - 29	AH76882	1B21	3	40 - 32	AH81167	1E7	4	70 - 30
AH64587	2I11	16	140 - 15	AH76882	1D6	14	70 - 3	AH81167	1E7	7	70 - 30
AH65015	2C24	2	120 - 61	AH76882	1D11	2	70 - 9	AH81167	1E7	8	70 - 30
AH65015	2E10	13	120 - 99	AH76882	1D13	5	70 - 11	AH81167	1E7	9	70 - 30
AH65015	2J13	2	170 - 8	AH76882	2H21	2	130 - 40	AH81167	1E7	..	70 - 30
AH65015	2J14	9	170 - 9	AH76900	1E11	9	70 - 35	AH81167	1E8	6	70 - 31
AH66202	2H24	5	140 - 3	AH76927	1E11	19	70 - 35	AH81270	2D14	2	120 - 77
AH66202	2I13	17	140 - 17	AH76978	2C24	15	120 - 61	AH81273	1G12	13	110 - 19
AH66202	2J8	9	170 - 3	AH76979	2C24	13	120 - 61	AH81273	1G12	14	110 - 19
AH66202	2J18	11	170 - 13	AH77055	2E12	18	120 - 101	AH81273	2J8	8	170 - 3
AH66648	1E2	1	70 - 25	AH77062	2E4	12	120 - 93	AH81274	1G12	12	110 - 19
AH66648	1E2	7	70 - 25	AH77062	2E8	8	120 - 97	AH83426	1G8	6	110 - 15
AH66648	1E2	10	70 - 25	AH77065	2E11	15	120 - 100	AH83620	1G2	5	110 - 9
AH66648	1E2	12	70 - 25	AH77069	2E8	8	120 - 97	AH83654	2G22	8	130 - 15
AH66648	1E2	13	70 - 25	AH77073	1F6	6	80 - 1	AH83654	2J18	7	170 - 13
AH66648	1E2	18	70 - 25	AH77279	2I3	11	140 - 7	AH84096	2F23	14	120 - 140
AH66648	1E2	28	70 - 25	AH77686	1F25	12	110 - 7	AH84212	2D5	3	120 - 67
AH66648	1E2	29	70 - 25	AH77687	1F25	21	110 - 7	AH84241	1G8	1	110 - 15
AH66648	1E2	30	70 - 25	AH77724	1B21	3	40 - 32	AH84241	1G8	8	110 - 15
AH66648	1E2	31	70 - 25	AH77805	2D18	9	120 - 81	AH84244	2E19	1	120 - 109
AH66648	1E2	33	70 - 25	AH77806	2D18	9	120 - 81	AH84646	1G7	1	110 - 14
AH66648	1E2	..	70 - 25	AH77807	2D18	9	120 - 81	AH84659	1F23	6	110 - 5
AH66648	1E4	12	70 - 27	AH77869	1D10	13	70 - 7	AH84941	1G8	1	110 - 15
AH75081	1F12	1	80 - 7	AH77869	1E11	21	70 - 35	AH84966	1F15	2	80 - 11
AH75082	1F12	1	80 - 7	AH77924	1E11	16	70 - 35	AH85259	1A21	15	40 - 7
AH75082	2G10	1	130 - 3	AH78124	1E11	23	70 - 35	AH85259	1A23	2	40 - 9
AH75101	2B8	15	120 - 17	AH78124	1G9	12	110 - 16	AH85260	1A21	13	40 - 7
AH75106	2B8	18	120 - 17	AH78125	1B20	4	40 - 31	AH85260	1A23	13	40 - 9
AH75106	2B10	21	120 - 19	AH78540	2D16	15	120 - 79	AH85283	1D2	5	50 - 21
AH75107	2B8	18	120 - 17	AH78541	2D16	15	120 - 79	AH85382	2B24	15	120 - 35
AH75107	2B10	21	120 - 19	AH78549	2E24	8	120 - 114	AH85382	2B24	16	120 - 35
AH75160	1D13	9	70 - 11	AH78760	1E7	12	70 - 30	AH85382	2B24	17A	120 - 35
AH75160	1E13	2	70 - 37	AH78765	2I24	10	160 - 11	AH85415	2G6	19	120 - 149
AH75165	1D11	12	70 - 9	AH78775	1G5	5	110 - 12	AH85665	2F16	5	120 - 133
AH75167	1D10	10	70 - 7	AH78775	1G5	6	110 - 12	AH85665	2F18	5	120 - 135
AH75167	1E11	28	70 - 35	AH78775	1G5	7	110 - 12	AH86590	2F14	11	120 - 131
AH75335	1F13	1	80 - 8	AH78775	1G5	8	110 - 12	AH86591	2F14	11	120 - 131
AH75436	2F3	13	120 - 119	AH78775	1G5	..	110 - 12	AH86866	1D2	7	50 - 21
AH75509	1D11	11	70 - 9	AH78775	1G6	5	110 - 13	AH86897	2E12	18	120 - 101
AH75516	1G5	9	110 - 12	AH78883	1G2	20	110 - 9	AH86897	2E24	14	120 - 114
AH75577	2C15	8	120 - 51	AH79728	1G7	10	110 - 14	AH87133	1D13	18	70 - 11
AH75662	1A21	9	40 - 7	AH79739	2D2	26	120 - 63	AH87141	2I5	25	140 - 9
AH75758	2D16	10	120 - 79	AH80335	2D20	22	120 - 83	AH87141	2I7	25	140 - 11
AH75762	2D20	7	120 - 83	AH80384	2D16	9	120 - 79	AH87142	1B10	3	40 - 21
AH75979	1G12	20	110 - 19	AH80384	2D20	8	120 - 83	AH87142	1B10	11	40 - 21
AH75979	2J8	3	170 - 3	AH80491	2D14	5	120 - 77	AH87142	1D6	13	70 - 3
AH75984	2E11	10	120 - 100	AH80508	2E12	5A	120 - 101	AH87142	1D11	4	70 - 9
AH75984	2J14	5	170 - 9	AH80595	1B18	4	40 - 29	AH87146	2E24	1	120 - 114
AH75986	2E11	1	120 - 100	AH80595	1B18	8	40 - 29	AH87146	2E25	1	120 - 115
AH75986	2E12	12	120 - 101	AH80596	1B16	11	40 - 27	AH87146	2J16	7	170 - 11
AH75986	2J14	1	170 - 9	AH80596	1B16	13	40 - 27	AH87207	2I11	2	140 - 15
AH75986	2J14	4	170 - 9	AH80597	1B18	14	40 - 29	AH87248	2G25	17	130 - 18
AH75987	2E11	1	120 - 100	AH80597	1B18	18	40 - 29	AH87265	1E19	6	70 - 43
AH75987	2J14	4	170 - 9	AH80939	1G2	8	110 - 9	AH87265	1E21	6	70 - 45
AH75988	2E17	21	120 - 107	AH81164	1E7	18	70 - 30	AH87265	1F2	4	70 - 51
AH75988	2J16	3	170 - 11	AH81165	1E7	17	70 - 30	AH87740	2C16	6	120 - 53
AH76096	2G16	8	130 - 9	AH81166	1E7	1	70 - 30	AH87741	2C16	5	120 - 53
AH76097	2G16	9	130 - 9	AH81166	1E7	2	70 - 30	AH87747	2E12	18	120 - 101
AH76102	2B8	21	120 - 17	AH81166	1E7	3	70 - 30	AH87765	2E12	18	120 - 101
AH76177	1G11	17	110 - 18	AH81166	1E7	4	70 - 30	AH87765	2E24	14	120 - 114
AH76193	2I5	6	140 - 9	AH81166	1E7	5	70 - 30	AH87765	2E25	14	120 - 115
AH76193	2I7	6	140 - 11	AH81166	1E7	7	70 - 30	AH87790	1D25	10	70 - 23
AH76195	1B20	12	40 - 31	AH81166	1E7	8	70 - 30	AH87806	1A21	4	40 - 7

NUMERICAL INDEX - CONTINUED

PART NO.	GRID	KEY	PAGE	PART NO.	GRID	KEY	PAGE	PART NO.	GRID	KEY	PAGE
AH87926	1B20	18A	40-31	AH90698	2C2	16	120-37	AH93171	2C5	2	120-40
AH87926	1B21	18A	40-32	AH90701	2B24	14	120-35	AH93171	2C6	2	120-41
AH87927	1B20	17	40-31	AH90738	2G4	29	120-147	AH93171	2C7	20	120-43
AH87927	1B21	15	40-32	AH90781	1B20	8	40-31	AH93171	2J11	3	170-6
AH88599	1G2	3	110-9	AH90781	1B21	8	40-32	AH93181	2C5	9	120-40
AH88893	2F7	17	120-123	AH90798	2I24	15	160-11	AH93242	2E4	19	120-93
AH89028	1F20	1	110-1	AH90840	2C4	22	120-39	AH93242	2E8	15	120-97
AH89028	1F21	10	110-3	AH90842	2B24	22	120-35	AH93304	1C24	10	50-18
AH89038	1F20	9	110-1	AH90845	1F6	16	80-1	AH93316	2B4	13	120-13
AH89038	1F21	3	110-3	AH90845	2C2	9	120-37	AH93316	2J10	6	170-5
AH89038	1F21	4	110-3	AH90892	2I15	13	160-1	AH93318	2H24	10	140-3
AH89038	1F21	5	110-3	AH90963	2H11	3	130-29	AH93318	2J9	7	170-4
AH89038	1F21	6	110-3	AH90990	1A19	39	40-5	AH93333	2H25	11	140-4
AH89358	2I20	10	160-7	AH90990	1B2	7	40-13	AH93334	2H25	9	140-4
AH89429	2D12	3	120-75	AH90990	1B4	11	40-15	AH93343	1C8	2	50-1
AH89429	2D23	5	120-87	AH90990	1B10	33	40-21	AH93537	1C8	1	50-1
AH89429	2G21	3	130-14	AH91274	1D25	13	70-23	AH93610	2H24	38	140-3
AH89429	2G22	3	130-15	AH91275	1D25	17	70-23	AH93619	1C16	1	50-10
AH89429	2J12	3	170-7	AH91284	2E2	6	120-91	AH93625	1B2	1	40-13
AH89429	2J18	10	170-13	AH91676	2F12	28	120-129	AH93625	1B4	1	40-15
AH89429	2J18	14	170-13	AH91732	1F23	14	110-5	AH93631	1C17	11	50-11
AH89486	1B10	14	40-21	AH91750	1G4	25	110-11	AH93632	1C17	17	50-11
AH89486	2I24	12	160-11	AH92070	2C9	2	120-45	AH93663	2E17	7	120-107
AH89557	1A19	18	40-5	AH92251	2F16	8	120-133	AH93681	1C9	7	50-3
AH89557	1B2	9	40-13	AH92252	2F16	16	120-133	AH93708	2F2	1	120-118
AH89557	1B4	9	40-15	AH92255	1D13	20	70-11	AH93708	2J16	8	170-11
AH89557	1B6	11	40-17	AH92255	2I5	40	140-9	AH93711	1A21	7	40-7
AH89557	1B8	7	40-19	AH92255	2I7	37	140-11	AH93711	1A23	9	40-9
AH89557	1B10	12	40-21	AH92274	1C15	10	50-9	AH93711	1A23	10	40-9
AH89557	1B14	2	40-25	AH92282	1C11	30	50-5	AH93711	2J2	3	160-13
AH89557	1B14	14	40-25	AH92308	2H24	2	140-3	AH93745	1C16	3	50-10
AH89557	1B14	16	40-25	AH92309	2H24	32	140-3	AH93745	1F17	4	80-13
AH89557	1B20	3	40-31	AH92349	2H24	6	140-3	AH93760	2A18	6	120-1
AH89557	2B18	5	120-28	AH92352	2G16	4	130-9	AH93760	2I1	8	140-5
AH89557	2B19	8	120-29	AH92353	2G16	19	130-9	AH93781	1C17	3	50-11
AH89557	2F8	5	120-124	AH92415	2D9	22	120-71	AH93782	1C17	2	50-11
AH89557	2I9	1	140-13	AH92415	2D11	11	120-73	AH93808	2D20	9	120-83
AH89557	2J4	3	160-15	AH92422	1D6	17	70-3	AH93809	2D20	9	120-83
AH89918	2F23	16	120-140	AH92423	1D6	12	70-3	AH93852	1D2	8	50-21
AH90589	2A25	33	120-9	AH92425	1D6	19	70-3	AH93868	2D9	14	120-71
AH90663	2B4	10	120-13	AH92425	1E13	16	70-37	AH93915	1C24	4	50-18
AH90686	2I20	1	160-7	AH92426	1D6	20	70-3	AH93917	1C17	7	50-11
AH90686	2I20	2	160-7	AH92428	1D6	8	70-3	AH93918	1C17	19	50-11
AH90686	2I20	3	160-7	AH92438	2F9	8	120-125	AH93952	1C8	1	50-1
AH90686	2I20	4	160-7	AH92579	1F17	5	80-13	AH93965	1E2	35	70-25
AH90686	2I20	5	160-7	AH92589	2D7	12	120-69	AH93978	1B22	7	40-33
AH90686	2I20	7	160-7	AH92610	2A21	4	120-5	AH93991	1C23	27	50-17
AH90686	2I20	8	160-7	AH92615	2I5	30	140-9	AH93991	1C23	28	50-17
AH90686	2I20	9	160-7	AH92615	2I5	32	140-9	AH93991	1C23	34	50-17
AH90686	2I21	9	160-8	AH92615	2I5	33	140-9	AH93991	1C23	..	50-17
AH90687	2I15	3	160-1	AH92689	2I11	9	140-15	AH93993	2D25	18	120-89
AH90687	2I15	..	160-1	AH92689	2J12	8	170-7	AH94033	1G4	28	110-11
AH90687	2I17	9	160-3	AH92730	1E13	17	70-37	AH94079	2C24	19	120-61
AH90687	2I17	10	160-3	AH92846	1E13	18	70-37	AH94131	1B19	8	40-30
AH90687	2I17	16	160-3	AH92897	1B19	4	40-30	AH94450	1G11	2	110-18
AH90687	2I17	25	160-3	AH92908	2I5	24	140-9	AH94450	1G13	8	110-20
AH90687	2I17	..	160-3	AH92908	2J10	1	170-5	AH94450	2E10	5	120-99
AH90687	2I18	5	160-5	AH92957	1C23	6	50-17	AH94450	2H25	3	140-4
AH90688	2I15	3	160-1	AH93057	2G4	9	120-147	AH94450	2J8	2	170-3
AH90688	2I15	6	160-1	AH93057	2J20	3	170-15	AH94450	2J8	6	170-3
AH90688	2I15	7	160-1	AH93058	2D11	2	120-73	AH94450	2J14	10	170-9
AH90688	2I15	8	160-1	AH93058	2J20	1	170-15	AH94460	1G9	1	110-16
AH90688	2I15	9	160-1	AH93141	1C19	21	50-13	AH94468	2D7	14	120-69
AH90688	2I15	10	160-1	AH93141	1C21	21	50-15	AH94469	2D7	14	120-69
AH90688	2I15	..	160-1	AH93153	1A21	2	40-7	AH94480	1C25	9	50-19
AH90688	2I16	7	160-2	AH93153	1A23	5	40-9	AH94551	1C11	26	50-5
AH90688	2I17	25	160-3	AH93154	2C5	5	120-40	AH94551	1C13	26	50-7

NUMERICAL INDEX - CONTINUED

PART NO.	GRID	KEY	PAGE	PART NO.	GRID	KEY	PAGE	PART NO.	GRID	KEY	PAGE
AH94562	1G8	1	110 - 15	AH96531	2B8	13	120 - 17	AH98001	2D18	9	120 - 81
AH94598	2F16	20	120 - 133	AH96555	2H20	11	130 - 39	AH98029	2E23	23	120 - 113
AH94598	2F18	20	120 - 135	AH96585	2H11	5	130 - 29	AH98030	2E23	23	120 - 113
AH94661	2H18	3	130 - 37	AH96592	2H11	23	130 - 29	AH98032	2E25	14	120 - 115
AH94713	2I1	9	140 - 5	AH96592	2J18	8	170 - 13	AH98050	2F14	3	120 - 131
AH94791	1A21	3	40 - 7	AH96610	2E4	5	120 - 93	AH98074	2G20	28	130 - 13
AH94811	2F9	13	120 - 125	AH96624	1F8	1	80 - 3	AH98086	2B21	13	120 - 31
AH94811	2F12	21	120 - 129	AH96624	1F8	2	80 - 3	AH98094	2G14	1	130 - 7
AH94846	1F17	9	80 - 13	AH96625	1F10	3	80 - 5	AH98114	2A18	4	120 - 1
AH94850	2A25	18	120 - 9	AH96641	1G7	20B	110 - 14	AH98118	2H18	1	130 - 37
AH94850	2B2	15	120 - 11	AH96644	2B21	5	120 - 31	AH98144	2G14	11	130 - 7
AH94853	2I5	18	140 - 9	AH96683	1A21	12	40 - 7	AH98193	2H1	11	130 - 19
AH94853	2I7	18	140 - 11	AH96683	1A23	14	40 - 9	AH98209	2G18	7	130 - 11
AH94854	2A25	25	120 - 9	AH96703	2G20	11	130 - 13	AH98212	2G24	22	130 - 17
AH94854	2B2	22	120 - 11	AH96703	2J18	13	170 - 13	AH98258	2G18	1	130 - 11
AH94957	2A21	2	120 - 5	AH96708	1E11	2	70 - 35	AH98266	2G20	24	130 - 13
AH94958	2A21	13	120 - 5	AH96727	1F12	12	80 - 7	AH98273	2D20	17	120 - 83
AH94959	2B8	4	120 - 17	AH96728	1F12	9	80 - 7	AH98274	2G18	17	130 - 11
AH94959	2B10	5	120 - 19	AH96729	1F12	18	80 - 7	AH98281	2G12	4	130 - 5
AH94959	2C5	16	120 - 40	AH96734	1F12	10	80 - 7	AH98300	2F5	1	120 - 121
AH94959	2C9	28	120 - 45	AH96735	1F12	16	80 - 7	AH98301	2F5	25	120 - 121
AH94959	2J11	1	170 - 6	AH96737	1F12	13	80 - 7	AH98811	2G10	9	130 - 3
AH94966	2I13	22	140 - 17	AH96760	2F7	23	120 - 123	AH98849	2G14	12	130 - 7
AH94967	2I13	24	140 - 17	AH96763	2D20	21	120 - 83	AH98850	2G10	5	130 - 3
AH94968	2I13	9	140 - 17	AH96771	2D18	9	120 - 81	AH98853	2G16	13	130 - 9
AH95280	1G4	10	110 - 11	AH96788	2G16	10	130 - 9	AH98858	2H5	21	130 - 23
AH95369	2F25	9	120 - 142	AH96946	2D16	1	120 - 79	AH98873	2F2	9	120 - 118
AH95390	2H20	6	130 - 39	AH96974	2H9	6	130 - 27	AH98892	1B10	6	40 - 21
AH95415	2H15	1	130 - 33	AH96991	2D25	12	120 - 89	AH98901	1B14	7	40 - 25
AH95415	2H17	1	130 - 35	AH96992	2D25	9	120 - 89	AH98901	1B14	10	40 - 25
AH95461	2H9	21	130 - 27	AH97000	2D25	1	120 - 89	AH98901	1B16	3	40 - 27
AH95486	2F24	13	120 - 141	AH97031	2F12	1	120 - 129	AH98901	1B16	4	40 - 27
AH95486	2J20	11	170 - 15	AH97031	2J20	9	170 - 15	AH98902	1B14	24	40 - 25
AH95523	1C17	19	50 - 11	AH97032	2I11	19	140 - 15	AH98902	1B14	27	40 - 25
AH95943	2D4	11	120 - 65	AH97032	2J13	5	170 - 8	AH98921	1B16	16	40 - 27
AH95944	2D4	1	120 - 65	AH97032	2J16	1	170 - 11	AH98931	1D6	20	70 - 3
AH95963	2D7	3	120 - 69	AH97033	2I11	26A	140 - 15	AH98948	1F17	3	80 - 13
AH95966	2A21	8	120 - 5	AH97033	2J14	7	170 - 9	AH98952	1C11	3	50 - 5
AH95967	2F12	5	120 - 129	AH97061	1E15	18	70 - 39	AH98952	1C13	3	50 - 7
AH95969	2F12	2	120 - 129	AH97062	1E15	1	70 - 39	AH99306	2F16	13	120 - 133
AH96002	1D13	6	70 - 11	AH97103	2H5	16	130 - 23	AH99307	2F16	19	120 - 133
AH96002	1E13	6	70 - 37	AH97103	2H7	15	130 - 25	AH99312	1B10	19	40 - 21
AH96024	2C2	6	120 - 37	AH97121	1E11	15	70 - 35	AH99313	1B10	18	40 - 21
AH96025	2C2	14	120 - 37	AH97141	1E15	17	70 - 39	AH99342	1D25	19	70 - 23
AH96107	2I5	8	140 - 9	AH97146	2E17	23	120 - 107	AH99356	2H15	5	130 - 33
AH96107	2I7	8	140 - 11	AH97146	2E19	34	120 - 109	AH99359	1D25	14	70 - 23
AH96107	2J9	4	170 - 4	AH97277	2G14	17	130 - 7	AH99398	1D13	7	70 - 11
AH96173	1D11	13	70 - 9	AH97337	2I13	23	140 - 17	AH99407	2G18	16	130 - 11
AH96243	1C11	1	50 - 5	AH97338	2H25	10	140 - 4	AH99437	1E15	22	70 - 39
AH96243	1C13	1	50 - 7	AH97341	2B4	19	120 - 13	AH99437	1E17	22	70 - 41
AH96244	1B20	11	40 - 31	AH97636	2H9	13	130 - 27	AH99438	1E15	20	70 - 39
AH96244	1B21	11	40 - 32	AH97732	1D25	1	70 - 23	AH99438	1E17	20	70 - 41
AH96249	1B2	13	40 - 13	AH97751	2D14	24	120 - 77	AH99635	2G25	12	130 - 18
AH96249	1B4	15	40 - 15	AH97760	2D14	21	120 - 77	AH99637	1A24	8	40 - 11
AH96257	2E19	17	120 - 109	AH97777	1E13	5	70 - 37	AH99645	1F14	3	80 - 9
AH96321	2F12	17	120 - 129	AH97786	1E13	15	70 - 37	AH99657	2D20	1	120 - 83
AH96359	1D15	..	70 - 13	AH97792	1D13	17	70 - 11	AH99671	1B6	15	40 - 17
AH96359	1D19	4	70 - 17	AH97804	2H13	3	130 - 31	AH99671	1B8	25	40 - 19
AH96369	2B24	3	120 - 35	AH97809	2D22	4	120 - 85	AH99755	2D7	7	120 - 69
AH96371	2E21	9	120 - 111	AH97810	2D22	19	120 - 85	AH99762	1B6	2	40 - 17
AH96388	2E24	14	120 - 114	AH97856	2F5	12	120 - 121	AH99762	1B8	3	40 - 19
AH96393	2C2	5	120 - 37	AH97871	2C4	6	120 - 39	AH99996	1B14	17	40 - 25
AH96395	2D2	11	120 - 63	AH97930	2D20	11	120 - 83	AH99997	1B14	15	40 - 25
AH96413	2B24	8	120 - 35	AH97930	2E13	11	120 - 103	AL2976T	1B24	20	40 - 35
AH96467	1G4	26	110 - 11	AH97967	1D25	11	70 - 23	AM31282	1B14	25	40 - 25
AH96516	1B6	1	40 - 17	AH97984	2E13	10	120 - 103	AM31284	1A21	9	40 - 7
AH96529	2H9	20	130 - 27	AH97999	2D18	1	120 - 81	AM31284	1A23	16	40 - 9

NUMERICAL INDEX - CONTINUED

PART NO.	GRID	KEY	PAGE	PART NO.	GRID	KEY	PAGE	PART NO.	GRID	KEY	PAGE
AM31284	1B12	7	40-23	AR94522	1D10	6	70-7	C10233	1G8	10	110-15
AN102382	1F20	11	110-1	AR94522	1E11	25	70-35	C10233	2E12	18	120-101
AN102382	1F21	1	110-3	AT23467	1B18	9	40-29	C10233	2E24	14	120-114
AN102383	1F20	13	110-1	AT25226	1D2	6	50-21	C10233	2E25	14	120-115
AN102383	1F21	14	110-3	AT26340	1C23	..	50-17	C10263	2E12	18	120-101
AN122335	1E2	8	70-25	AT35121	1D13	12	70-11	C10263	2E24	14	120-114
AN122335	1E6	8	70-29	AT35121	2I20	20	160-7	C10263	2E25	14	120-115
AN131127	1D6	9	70-3	AT36921	1D11	12	70-9	C12152	1B4	4	40-15
AN131153	2I20	17	160-7	AT39043	1A17	27	40-3	C13097	2C9	27	120-45
AN151830	2D9	10	120-71	AT39043	1A19	29	40-5	C13097	2C11	26	120-47
AN151830	2D12	6	120-75	A15898	1D6	1	70-3	C13434	2H20	23	130-39
AN151830	2D22	10	120-85	A22698	2F2	10	120-118	C1960N	2H24	27	140-3
AN151830	2D23	4	120-87	A22698	2H9	4	130-27	C3056E	2D11	10	120-73
AN151830	2I11	8	140-15	A22698	2H13	5	130-31	C3994E	2D9	13	120-71
AN151830	2J12	2	170-7	A22698	2H15	4	130-33	C3994E	2D22	14	120-85
AN151830	2J12	7	170-7	A22698	2H17	4	130-35	C3994E	2E2	3	120-91
AN15237	2F12	10	120-129	A22698	2H20	13	130-39	C3994E	2E17	11	120-107
AN15237	2J20	8	170-15	A22698	2H20	22	130-39	C3994E	2I11	12	140-15
AN31004	1C23	40	50-17	A22836	2G12	15	130-5	C565R	1D2	12	50-21
AN61174	1D10	5	70-7	A3182R	1B10	22	40-21	E10018	2G20	8	130-13
AP22460	2J18	9	170-13	A32904	1B2	5	40-13	E12305	2B12	18	120-21
AP23601	2F23	17	120-140	A32904	1B4	5	40-15	E12378	2B16	1	120-26
AP6093H	2E24	3	120-114	A32905	1A17	24	40-3	E12378	2B17	2	120-27
AP6093H	2F1	3	120-116	A32905	1A19	27	40-5	E12378	2B18	4	120-28
AP6093H	2F3	21	120-119	A3581R	2C16	1	120-53	E12378	2B19	2	120-29
AP6093H	2G24	23	130-17	A36895	1A17	33	40-3	E12378	2C12	2	120-48
AP6093H	2J16	6	170-11	A36895	1A19	34	40-5	E12378	2C13	2	120-49
AP6093H	2J18	5	170-13	A4365R	2I20	2	160-7	E12378	2F8	4	120-124
AR100278	1C11	17A	50-5	A4365R	2I21	4	160-8	E12378	2H21	4	130-40
AR100278	1C13	17A	50-7	A4655R	1D15	1	70-13	E12378	2I8	3	140-12
AR21836	1B19	11	40-30	A4730R	1E17	7	70-41	E12378	2I9	4	140-13
AR26724	1E11	8	70-35	A4730R	1E25	5	70-49	E12379	2B16	4	120-26
AR26724	1E11	20	70-35	A4730R	2C20	4	120-57	E12379	2B17	3	120-27
AR26725	1D13	12	70-11	A4730R	2I11	15	140-15	E12379	2B18	2	120-28
AR26725	2I20	20	160-7	BH77683	2F16	13	120-133	E12379	2B19	5	120-29
AR30210	1D6	2	70-3	BH77683	2F16	19	120-133	E12379	2C12	5	120-48
AR30963	1B21	17	40-32	BP11232	1G11	16	110-18	E12379	2C13	5	120-49
AR31674	2I20	18	160-7	BP12214	1C15	1	50-9	E12379	2F8	2	120-124
AR41950	1A17	7	40-3	BP13615	2B12	31	120-21	E12379	2H21	5	130-40
AR41950	1A19	7	40-5	B27370	2G18	3	130-11	E12379	2I8	6	140-12
AR42591	1B14	8	40-25	B30434	1E15	15	70-39	E12379	2I9	7	140-13
AR42591	1B16	2	40-27	B30434	1E17	15	70-41	E12859	2H21	6	130-40
AR47643	1D6	4	70-3	B5234H	2D9	10	120-71	E13874	2D16	6	120-79
AR59805	2J3	1	160-14	B5234H	2D12	6	120-75	E18993	2A25	10	120-9
AR65005	1C5	1	40-40	B5234H	2D22	10	120-85	E18993	2B2	7	120-11
AR65006	1C5	2	40-40	B5234H	2D23	4	120-87	E32401	1D6	5	70-3
AR84006	1B20	15	40-31	B5234H	2G24	25	130-17	E40798	1E4	..	70-27
AR84006	1B22	8	40-33	B5234H	2I11	8	140-15	E46836	1E2	20	70-25
AR84006	1B24	40	40-35	B5234H	2J12	2	170-7	E46836	1E6	13	70-29
AR87457	1A17	4	40-3	B5234H	2J12	7	170-7	E50613	1C17	8	50-11
AR87457	1A19	4	40-5	B5234H	2J18	9	170-13	E50613	1C19	17	50-13
AR90583	1C11	17A	50-5	B5234H	2J18	12	170-13	E50613	1C21	17	50-15
AR90583	1C11	17B	50-5	B5235H	2D9	10	120-71	E50822	2A25	6	120-9
AR90583	1C13	17A	50-7	B5235H	2G24	25	130-17	E52205	1C17	1	50-11
AR90583	1C13	17B	50-7	B5235H	2J18	9	170-13	E54809	2A23	14	120-7
AR91793	1B4	19	40-15	B5235H	2J18	12	170-13	E54809	2D12	5	120-75
AR91793	1B6	25	40-17	B5321H	2D22	10	120-85	E54809	2I20	12	160-7
AR91793	1B6	26	40-17	B5321H	2D23	4	120-87	E55662	2H13	1	130-31
AR91793	1B8	1	40-19	B5321H	2G24	25	130-17	E55662	2H13	11	130-31
AR91793	1B8	5	40-19	B5321H	2I11	10	140-15	E55662	2H13	12	130-31
AR91793	1B8	36	40-19	B5321H	2J12	7	170-7	E55662	2H15	7	130-33
AR91793	1B14	29	40-25	B5321H	2J18	9	170-13	E55662	2H17	7	130-35
AR91793	1C4	42	40-39	C10232	1G8	7	110-15	E55847	2H11	12	130-29
AR93819	1D6	2	70-3	C10232	2E12	18	120-101	E55847	2H11	22	130-29
AR93820	1D6	4	70-3	C10232	2E24	14	120-114	E55847	2H11	24	130-29
AR94522	1D6	2	70-3	C10232	2E25	14	120-115	E60315	1B14	13	40-25
AR94522	1D6	4	70-3	C10233	1G8	1	110-15	E62089	1D15	13	70-13

NUMERICAL INDEX - CONTINUED

PART NO.	GRID	KEY	PAGE	PART NO.	GRID	KEY	PAGE	PART NO.	GRID	KEY	PAGE
E62089	1D21	5	70 - 19	H100914	1B8	12	40 - 19	H102424	2H3	4	130 - 21
E62089	1D23	5	70 - 21	H100949	1B10	27	40 - 21	H102424	2H3	6	130 - 21
E62484	2G24	26	130 - 17	H100958	2G6	16	120 - 149	H102424	2H3	9	130 - 21
E62484	2G25	8	130 - 18	H100963	2G6	15	120 - 149	H102459	2E21	3	120 - 111
E62484	2G25	18	130 - 18	H100964	2G6	17	120 - 149	H102466	2E23	3	120 - 113
E62941	1D15	3	70 - 13	H100965	2G6	11	120 - 149	H102470	1F6	13	80 - 1
E62942	1D15	2	70 - 13	H101161	1A17	19	40 - 3	H102511	2H3	5	130 - 21
E62951	1F20	4	110 - 1	H101161	1A19	28	40 - 5	H102511	2H3	6	130 - 21
E62951	1F21	7	110 - 3	H101216	1B10	1	40 - 21	H102520	2G24	6	130 - 17
E71183	1B22	21	40 - 33	H101221	2G12	12	130 - 5	H102532	2I5	13	140 - 9
E74026	2J22	2	170 - 17	H101234	1E11	4	70 - 35	H102533	2I5	34	140 - 9
E76372	2F23	13	120 - 140	H101246	1E11	5	70 - 35	H102533	2I7	30	140 - 11
GN11175	2J22	4	170 - 17	H101261	1A21	8	40 - 7	H102547	2I5	27	140 - 9
G6661	2G25	18	130 - 18	H101262	2B16	2	120 - 26	H102547	2I7	27	140 - 11
G6661E	2G24	26	130 - 17	H101262	2B18	3	120 - 28	H102565	1F10	28	80 - 5
HZ5621H	1F6	3	80 - 1	H101262	2B19	3	120 - 29	H102566	1F8	7	80 - 3
HZ5621H	2D14	18	120 - 77	H101262	2C12	3	120 - 48	H102567	1F8	8	80 - 3
HZ5621H	2F9	11	120 - 125	H101262	2C13	3	120 - 49	H102567	1F10	27	80 - 5
H100002	2G14	23	130 - 7	H101262	2F8	3	120 - 124	H102597	1A17	1	40 - 3
H100019	1B14	11	40 - 25	H101262	2I8	4	140 - 12	H102678	1G4	12	110 - 11
H100034	2G16	12	130 - 9	H101262	2I9	5	140 - 13	H102690	1G4	14	110 - 11
H100065	2J22	5	170 - 17	H101271	2I20	13	160 - 7	H102691	1G4	11	110 - 11
H100122	2I24	11	160 - 11	H101272	1D11	5	70 - 9	H102701	2G20	15	130 - 13
H100123	2G12	20	130 - 5	H101297	2E4	13	120 - 93	H102713	1G4	23	110 - 11
H100128	2H5	18	130 - 23	H101297	2E8	9	120 - 97	H102843	1D25	12	70 - 23
H100204	2H15	17	130 - 33	H101297	2E21	19	120 - 111	H103166	1C11	27	50 - 5
H100204	2H17	17	130 - 35	H101297	2E23	25	120 - 113	H103264	2C22	6	120 - 59
H100209	2J22	8	170 - 17	H101316	1B2	3	40 - 13	H103264	2D4	7	120 - 65
H100235	2G20	7	130 - 13	H101317	1A17	20	40 - 3	H103264	2E12	3	120 - 101
H100236	2G20	19	130 - 13	H101317	1A19	23	40 - 5	H103264	2E17	3	120 - 107
H100281	1C11	11	50 - 5	H101353	1D1	1	50 - 20	H103264	2E24	6	120 - 114
H100281	1C13	11	50 - 7	H101370	1E7	1	70 - 30	H103264	2F2	5	120 - 118
H100282	1C11	9	50 - 5	H101370	1E9	1	70 - 33	H103264	2F3	23	120 - 119
H100282	1C13	9	50 - 7	H101424	1E15	11	70 - 39	H103264	2H20	23	130 - 39
H100334	1C17	18	50 - 11	H101425	1E15	14	70 - 39	H103265	2D9	13	120 - 71
H100354	1D25	18	70 - 23	H101426	1E15	10	70 - 39	H103265	2D22	14	120 - 85
H100400	2C4	12	120 - 39	H101436	2F12	14	120 - 129	H103265	2E2	3	120 - 91
H100431	1B10	20	40 - 21	H101436	2I5	16	140 - 9	H103265	2E17	11	120 - 107
H100432	1B10	15	40 - 21	H101436	2I7	16	140 - 11	H103265	2E19	20	120 - 109
H100438	1B10	8	40 - 21	H101436	2J20	6	170 - 15	H103265	2F24	3	120 - 141
H100561	2H9	3	130 - 27	H101438	2G12	16	130 - 5	H103265	2I11	12	140 - 15
H100562	1G12	5	110 - 19	H101469	2C6	19	120 - 41	H103344	2F12	32	120 - 129
H100621	2G25	5	130 - 18	H101469	2C7	19	120 - 43	H103344	2F24	17	120 - 141
H100622	2H5	20	130 - 23	H101469	2C9	36	120 - 45	H103344	2J20	10	170 - 15
H100674	2G24	1A	130 - 17	H101469	2C11	36	120 - 47	H103451	1C11	24	50 - 5
H100677	2G24	6	130 - 17	H101469	2J11	2	170 - 6	H103451	1C13	24	50 - 7
H100678	2G24	19	130 - 17	H101556	2I17	26	160 - 3	H103500	2E10	1	120 - 99
H100678	2J18	15	170 - 13	H101573	2I17	19	160 - 3	H103537	1D2	4	50 - 21
H100681	2C5	6	120 - 40	H101591	2H1	2	130 - 19	H103538	1D2	4	50 - 21
H100681	2C6	6	120 - 41	H101592	2H3	2	130 - 21	H103538	1D2	19B	50 - 21
H100681	2C7	16	120 - 43	H101717	1G4	16	110 - 11	H103646	2C5	15	120 - 40
H100682	1A24	1	40 - 11	H101718	1G4	29	110 - 11	H103646	2C6	16	120 - 41
H100682	2C9	32	120 - 45	H101800	2C9	6	120 - 45	H104405	2H5	3	130 - 23
H100684	1A24	4A	40 - 11	H101801	2C9	5	120 - 45	H104418	1A24	3	40 - 11
H100746	2A19	3	120 - 3	H101840	2C9	11A	120 - 45	H104793	1B6	7A	40 - 17
H100746	2F10	3	120 - 127	H102014	1D6	7	70 - 3	H104793	1B6	7C	40 - 17
H100793	2C20	7	120 - 57	H102045	2H15	34	130 - 33	H104793	1B8	18	40 - 19
H100794	2I11	5	140 - 15	H102050	2H1	12	130 - 19	H104794	1B6	7A	40 - 17
H100795	2C20	5	120 - 57	H102052	2H13	14	130 - 31	H104794	1B6	7B	40 - 17
H100796	2I11	4	140 - 15	H102080	2H15	8	130 - 33	H104794	1B8	13	40 - 19
H100830	2C9	29	120 - 45	H102080	2H17	8	130 - 35	H104795	1B6	12A	40 - 17
H100838	2H5	15	130 - 23	H102191	1D15	5	70 - 13	H104795	1B6	12C	40 - 17
H100838	2H7	13	130 - 25	H102418	2H1	4	130 - 19	H104795	1B8	21	40 - 19
H100869	2D7	8	120 - 69	H102420	2H1	16	130 - 19	H104796	1B6	12A	40 - 17
H100910	2C20	15	120 - 57	H102420	2H3	9	130 - 21	H104796	1B6	12B	40 - 17
H100913	1B6	5	40 - 17	H102421	2H1	17	130 - 19	H104796	1B8	20	40 - 19
H100914	1B6	9	40 - 17	H102421	2H3	6	130 - 21	H104834	2H9	3	130 - 27

NUMERICAL INDEX - CONTINUED

PART NO.	GRID	KEY	PAGE	PART NO.	GRID	KEY	PAGE	PART NO.	GRID	KEY	PAGE
H104855	1C2	9	40-37	H110209	2I7	39	140-11	H113332	2F22	1	120-139
H104910	2H1	15	130-19	H110253	2B2	27	120-11	H113392	2A23	17	120-7
H105359	2A25	27	120-9	H110253	2J10	4	170-5	H11340	2E12	10	120-101
H105359	2B2	24	120-11	H110288	2B12	27	120-21	H113449	2G20	35	130-13
H105618	2I11	24	140-15	H110290	2B2	5	120-11	H113462	1A24	4A	40-11
H105618	2I11	26A	140-15	H110296	2B12	37	120-21	H113462	1A24	4B	40-11
H105618	2J14	7	170-9	H110300	2I11	25	140-15	H113627	2B13	4	120-22
H105899	2J24	2	170-19	H110336	2B12	8	120-21	H113715	2G4	1B	120-147
H106088	2H9	18	130-27	H110337	2B12	28	120-21	H113717	2H20	9	130-39
H106246	2J2	5	160-13	H110341	2A23	12	120-7	H113718	2H9	6	130-27
H106315	2E6	4	120-95	H110374	2B12	32	120-21	H113718	2H9	7	130-27
H106315	2E23	9	120-113	H110374	2J10	7	170-5	H113719	2H5	7	130-23
H106371	2G24	1A	130-17	H110375	2B2	31	120-11	H113719	2H7	4	130-25
H106866	2B2	16	120-11	H110375	2B12	34	120-21	H113743	2G4	36	120-147
H107102	2H15	15	130-33	H110375	2J10	5	170-5	H113744	2I5	13	140-9
H107310	2I5	12	140-9	H110435	2A23	18	120-7	H113744	2I7	13	140-11
H107310	2I7	12	140-11	H110438	2J22	8	170-17	H113746	2I7	22	140-11
H107310	2J9	3	170-4	H110438	2J22	9	170-17	H113749	2A25	13	120-9
H107389	2A25	26	120-9	H110458	2B10	15	120-19	H113749	2B2	10	120-11
H107389	2B2	23	120-11	H110462	2B13	7	120-22	H113749	2I5	26	140-9
H107391	2A25	15	120-9	H110493	2A23	24	120-7	H113749	2I7	26	140-11
H107391	2J10	3	170-5	H110521	2B12	20	120-21	H113749	2J10	2	170-5
H107689	2A25	15	120-9	H110542	2B14	8	120-23	H113754	2I7	24	140-11
H107689	2J10	3	170-5	H110564	2B6	13	120-15	H113762	2G6	11	120-149
H107706	1B6	5	40-17	H110724	2B6	7	120-15	H113803	2A19	1	120-3
H107706	1B8	16	40-19	H110725	2A23	15	120-7	H113803	2F10	1	120-127
H107970	2I17	20	160-3	H110734	2C11	6	120-47	H113804	2A19	4	120-3
H10835	1F8	10	80-3	H110736	2C11	6	120-47	H113804	2F10	4	120-127
H10835	1F10	25	80-5	H111041	2B12	4	120-21	H113826	2B12	36	120-21
H108572	2C20	19	120-57	H111042	2B12	1	120-21	H113826	2J11	1	170-6
H108576	2E12	10	120-101	H111070	2A18	12	120-1	H113837	2B12	36	120-21
H108576	2E19	8	120-109	H111071	2A23	6	120-7	H113837	2C7	18	120-43
H108576	2E25	9	120-115	H111072	2A23	7	120-7	H113837	2J11	1	170-6
H108600	2G20	24	130-13	H111073	2B15	2	120-25	H113839	2E2	5	120-91
H108600	2G20	34	130-13	H111260	2B12	3	120-21	H113839	2E17	10	120-107
H108669	2C20	26	120-57	H111261	2B12	3	120-21	H113839	2E17	11	120-107
H108669	2I11	6	140-15	H111262	2B12	3	120-21	H113841	2B12	9	120-21
H108669	2J12	4	170-7	H111472	2B18	6	120-28	H113852	2B14	5	120-23
H108805	2H15	14	130-33	H111472	2B19	7	120-29	H113853	2B14	1	120-23
H108981	1E17	14	70-41	H111472	2F8	6	120-124	H113889	2C9	29	120-45
H108982	1E17	10	70-41	H112109	1C9	8	50-3	H113889	2C11	28	120-47
H108983	1E17	11	70-41	H112109	1G5	11	110-12	H113890	2I3	9	140-7
H109093	2H20	20	130-39	H112395	2G6	1	120-149	H113895	2J22	6	170-17
H109241	2H2	1	130-20	H112421	2G4	8	120-147	H113914	2C7	12	120-43
H109243	2H2	1	130-20	H112421	2J20	4	170-15	H113915	2I3	16	140-7
H109247	2C9	4	120-45	H112671	2F14	5	120-131	H113921	2D2	25	120-63
H109523	2B16	2	120-26	H112672	2F14	12	120-131	H113922	2D2	8	120-63
H109523	2B18	3	120-28	H112674	2F14	7	120-131	H113924	1A23	4	40-9
H109523	2C13	3	120-49	H112869	2C9	23	120-45	H113949	2B12	15	120-21
H109523	2I9	5	140-13	H112869	2C11	22	120-47	H113983	2F16	13	120-133
H109607	1F12	23	80-7	H112875	2A23	26	120-7	H113983	2F18	7	120-135
H109735	2E19	15	120-109	H112876	2A23	28	120-7	H113984	2F16	19	120-133
H109736	2F1	2	120-116	H112877	2B12	17	120-21	H113984	2F18	15	120-135
H109736	2J16	5	170-11	H112944	1F6	1	80-1	H114001	2B14	10	120-23
H109931	1B14	1	40-25	H112959	2D25	9	120-89	H114130	2E6	16	120-95
H109931	1B14	11	40-25	H113052	2H11	22	130-29	H114411	1B10	16	40-21
H109983	2C9	25	120-45	H113053	2H11	10	130-29	H114465	2F22	3	120-139
H109983	2C11	24	120-47	H113053	2H11	22	130-29	H114466	2F22	4	120-139
H110001	2C9	11A	120-45	H113063	2B12	2	120-21	H114535	2F22	12	120-139
H110001	2C9	11B	120-45	H113064	2B12	25	120-21	H114536	2F22	15	120-139
H110001	2C11	10	120-47	H113077	2F16	14	120-133	H114537	2F22	13	120-139
H110112	2A25	15	120-9	H113077	2F18	14	120-135	H114538	2F22	14	120-139
H110112	2B2	12	120-11	H113208	2B12	13	120-21	H114709	2H20	10	130-39
H110112	2J10	3	170-5	H113209	2B14	2	120-23	H114884	2G10	7	130-3
H110196	2I5	13	140-9	H113210	2A23	8	120-7	H114884	2I22	3	160-9
H110197	2J22	6	170-17	H113224	2H11	17	130-29	H115156	1A19	1	40-5
H110209	2I5	41	140-9	H113238	2B12	19	120-21	H115157	1A23	18	40-9

NUMERICAL INDEX - CONTINUED

PART NO.	GRID	KEY	PAGE	PART NO.	GRID	KEY	PAGE	PART NO.	GRID	KEY	PAGE
H115157	2J2	9	160 - 13	H118730	2E13	5	120 - 103	H128360	2G1	1	120 - 143
H115230	1G10	17	110 - 17	H118730	2E19	32	120 - 109	H128361	2G1	6	120 - 143
H115290	2H15	18	130 - 33	H118730	2I11	28	140 - 15	H128861	2H9	19	130 - 27
H115317	1A19	15	40 - 5	H118730	2J16	2	170 - 11	H129201	2G1	1	120 - 143
H115318	1B4	3	40 - 15	H118776	1G12	1	110 - 19	H129251	2G16	12	130 - 9
H115628	2D2	23	120 - 63	H118816	2D7	19	120 - 69	H129309	1F17	11	80 - 13
H115673	2J24	10	170 - 19	H119096	2B24	17B	120 - 35	H130177	1B10	26	40 - 21
H115727	2H13	14	130 - 31	H119096	2B24	18	120 - 35	H130177	2D14	13	120 - 77
H115757	2C20	23	120 - 57	H119096	2B24	19	120 - 35	H131280	2G12	7	130 - 5
H115980	1E19	1	70 - 43	H119210	2B2	5	120 - 11	H131281	2G12	8	130 - 5
H116275	2B24	5	120 - 35	H119566	2H20	25	130 - 39	H131502	2C4	25	120 - 39
H116275	2B24	8	120 - 35	H119567	2H20	25	130 - 39	H131585	2H13	17	130 - 31
H116292	2H20	12	130 - 39	H119568	2H20	25	130 - 39	H131585	2H13	20	130 - 31
H116355	2J25	..	170 - 20	H119614	2D7	12	120 - 69	H131588	2H13	17	130 - 31
H116794	2H15	21	130 - 33	H119656	2D20	11	120 - 83	H131588	2H13	20	130 - 31
H116795	2H15	24	130 - 33	H120167	2E23	19	120 - 113	H131778	2C24	19	120 - 61
H117551	2C11	5	120 - 47	H121814	1B6	1	40 - 17	H132063	2H13	21	130 - 31
H117598	2B6	1	120 - 15	H121814	1B6	24	40 - 17	H132607	2F7	21	120 - 123
H117614	2B8	14	120 - 17	H121814	1B8	37	40 - 19	H132710	2C4	18	120 - 39
H117614	2B10	17	120 - 19	H121814	1B8	38	40 - 19	H132801	1B10	36	40 - 21
H117666	2D20	2	120 - 83	H121837	2D14	6	120 - 77	H132998	2G1	9	120 - 143
H117703	2B12	10	120 - 21	H122190	2I24	22	160 - 11	H133362	2H17	18	130 - 35
H117704	1F8	7	80 - 3	H122251	2D14	8	120 - 77	H134054	2F3	16	120 - 119
H117833	2C20	12	120 - 57	H122253	2D14	9	120 - 77	H134054	2F3	17	120 - 119
H117837	2C18	6	120 - 55	H122291	2D14	23	120 - 77	H134054	2F3	22	120 - 119
H117855	2D23	10	120 - 87	H122292	2D14	23	120 - 77	H135154	1E21	10	70 - 45
H117947	2C18	5	120 - 55	H122309	1C8	7	50 - 1	H135232	2H11	22	130 - 29
H117975	1D6	7	70 - 3	H122671	2F14	5	120 - 131	H135583	2D2	25	120 - 63
H118082	2B12	8	120 - 21	H122672	1B10	26	40 - 21	H135584	2D2	8	120 - 63
H118176	1C11	27	50 - 5	H123134	2B10	15	120 - 19	H135950	2D14	23	120 - 77
H118177	1C11	27	50 - 5	H123255	2J24	3	170 - 19	H135951	2D14	23	120 - 77
H118177	1C11	28	50 - 5	H123256	2J24	12	170 - 19	H136521	2H17	21	130 - 35
H118184	1F12	5	80 - 7	H123256	2J25	..	170 - 20	H136522	2H17	24	130 - 35
H118185	1F12	21	80 - 7	H123257	2J24	4	170 - 19	H136523	2H17	27	130 - 35
H118197	1E19	13	70 - 43	H123257	2J25	..	170 - 20	H137225	1E21	1	70 - 45
H118197	1E21	13	70 - 45	H123351	2J24	14	170 - 19	H137225	2H17	26	130 - 35
H118198	1E19	9	70 - 43	H123758	2C20	15	120 - 57	H20042	1D1	5	50 - 20
H118198	1E21	9	70 - 45	H123940	2E23	6	120 - 113	H20042	2F24	5	120 - 141
H118199	1E19	10	70 - 43	H124261	2D16	7	120 - 79	H22039	1F20	4	110 - 1
H118396	2G24	27	130 - 17	H125860	1C14	10	50 - 8	H22039	1F21	7	110 - 3
H118396	2G25	19	130 - 18	H125860	1C24	14	50 - 18	H22292	2G14	16	130 - 7
H118401	1E13	4	70 - 37	H125861	1C11	30	50 - 5	H22694	1E2	13	70 - 25
H118417	1B8	35	40 - 19	H125861	1C21	13	50 - 15	H22694	1E4	5	70 - 27
H118420	1A19	13	40 - 5	H125867	1C11	30	50 - 5	H22695	1E2	12	70 - 25
H118421	1A19	21	40 - 5	H125867	1C24	3	50 - 18	H22695	1E4	4	70 - 27
H118421	1B4	7	40 - 15	H125875	2E2	5	120 - 91	H22802	1C17	20	50 - 11
H118422	1A19	37	40 - 5	H125875	2E17	10	120 - 107	H23581	2F24	3	120 - 141
H118422	1B8	28	40 - 19	H125875	2E19	25	120 - 109	H23941	1E13	19	70 - 37
H118425	1A17	21	40 - 3	H125994	1C14	4	50 - 8	H23950	1C23	18	50 - 17
H118425	1B6	22	40 - 17	H125994	1C21	3	50 - 15	H23950	2J18	2	170 - 13
H118426	1B6	23	40 - 17	H126163	2E15	9	120 - 105	H24710	1B22	18	40 - 33
H118426	1B8	24	40 - 19	H127590	2B12	15	120 - 21	H24979	1C15	9	50 - 9
H118427	1A17	23	40 - 3	H127591	2H15	21	130 - 33	H24979	2H24	13	140 - 3
H118427	1B2	16	40 - 13	H127593	2H15	24	130 - 33	H25360	1F20	10	110 - 1
H118428	1A19	20	40 - 5	H127658	2B10	13	120 - 19	H25360	1F21	2	110 - 3
H118428	1B8	31	40 - 19	H127855	2B12	9	120 - 21	H25438	1G4	14	110 - 11
H118534	2E15	7	120 - 105	H127921	2H20	12	130 - 39	H26552	2I13	11	140 - 17
H118568	2H15	14	130 - 33	H128077	1F8	34	80 - 3	H27332	2G4	34	120 - 147
H118568	2H17	14	130 - 35	H128077	1F10	32	80 - 5	H27433	2E11	2	120 - 100
H118569	2H15	15	130 - 33	H128080	2G1	7	120 - 143	H27433	2I11	23	140 - 15
H118569	2H17	15	130 - 35	H128081	2G1	7	120 - 143	H27433	2J14	6	170 - 9
H118582	1G7	17	110 - 14	H128083	2G1	7	120 - 143	H28108	2I24	20	160 - 11
H118583	1G12	3	110 - 19	H128084	2G1	2	120 - 143	H28156	1E2	34	70 - 25
H118676	2E15	2	120 - 105	H128262	2H15	27	130 - 33	H28206	2C20	16	120 - 57
H118677	2E15	2	120 - 105	H128357	2G1	6	120 - 143	H28550	2E25	14	120 - 115
H118702	2D7	20	120 - 69	H128358	2G1	6	120 - 143	H28563	2F2	7	120 - 118
H118702	2D7	22	120 - 69	H128359	2G1	6	120 - 143	H28865	1F20	2	110 - 1

NUMERICAL INDEX - CONTINUED

PART NO.	GRID	KEY	PAGE	PART NO.	GRID	KEY	PAGE	PART NO.	GRID	KEY	PAGE
H29296	2G14	13	130-7	H65108	1F8	32	80-3	H76139	2B19	4	120-29
H29322	1A17	26	40-3	H65108	1F10	31	80-5	H76139	2C2	3	120-37
H29322	1A19	19	40-5	H65108	1F12	8	80-7	H76139	2C12	4	120-48
H29623	2H11	21	130-29	H65108	1G4	27	110-11	H76139	2C13	4	120-49
H31253	1E17	4	70-41	H65108	2B21	15	120-31	H76139	2C22	1	120-59
H31253	1E25	2	70-49	H65108	2D2	4	120-63	H76139	2D2	20	120-63
H31256	1E2	5	70-25	H65108	2D11	3	120-73	H76139	2F14	1	120-131
H31256	1E6	5	70-29	H65108	2F5	5	120-121	H76139	2G2	1	120-145
H31257	1E2	6	70-25	H65108	2G6	6	120-149	H76139	2G6	8	120-149
H31257	1E6	6	70-29	H65108	2G12	18	130-5	H76139	2G12	13	130-5
H31381	1G7	26	110-14	H65108	2G12	23	130-5	H76139	2G18	18	130-11
H32147	2D18	16	120-81	H65108	2G14	27	130-7	H76139	2H13	10	130-31
H32147	2F25	5	120-142	H65108	2G16	7	130-9	H76139	2I8	5	140-12
H32147	2G1	5	120-143	H65108	2G18	6	130-11	H76139	2I9	6	140-13
H33629	2J24	11	170-19	H65108	2G25	1	130-18	H76209	2F24	16	120-141
H33795	1D6	18	70-3	H65108	2H1	1	130-19	H76221	1F6	15	80-1
H33795	1D13	16	70-11	H65108	2H3	1	130-21	H76221	2F20	1	120-137
H33795	1E13	24	70-37	H65108	2H5	2	130-23	H76223	1F25	8	110-7
H35459	1G11	12	110-18	H65108	2H7	6	130-25	H76271	1F8	3	80-3
H35688	2E4	16	120-93	H65108	2H13	16	130-31	H76271	1F10	2	80-5
H35688	2E8	12	120-97	H65108	2I3	10	140-7	H76282	2C15	5	120-51
H35688	2E21	18	120-111	H748DA	2I13	7	140-17	H76431	2D9	15	120-71
H35688	2E23	20	120-113	H75267	1C23	33	50-17	H76441	1D2	22	50-21
H4211H	2F12	15	120-129	H75290	1F12	2	80-7	H76446	1D2	19A	50-21
H60817	1E2	5	70-25	H75293	2D25	4	120-89	H76498	2H24	34	140-3
H60817	1E6	5	70-29	H75324	2B8	14	120-17	H76522	2C4	3	120-39
H60885	1E11	14	70-35	H75364	2C4	21	120-39	H76523	2C4	2	120-39
H61901	1C8	4	50-1	H75367	2C4	20	120-39	H76534	2D14	7	120-77
H61901	1C9	2	50-3	H75371	1C23	46	50-17	H76560	2D20	2	120-83
H62443	1B22	10	40-33	H75406	2C22	12	120-59	H76632	1G11	17	110-18
H62444	1B22	13	40-33	H75406	2D4	6	120-65	H76645	2D20	19	120-83
H62445	1B22	19	40-33	H75414	1D13	11	70-11	H76650	2D16	7	120-79
H62447	1B22	3	40-33	H75509	1C23	9	50-17	H76654	2D22	5	120-85
H63283	2I17	9	160-3	H75535	2C20	9	120-57	H76654	2E19	5	120-109
H63283	2I18	2	160-5	H75588	2D12	2	120-75	H76654	2E25	5	120-115
H63289	1E7	11	70-30	H75588	2D23	7	120-87	H76654	2F2	5	120-118
H63357	1E7	7	70-30	H75588	2G21	5	130-14	H76683	1F25	19	110-7
H63357	1E8	3	70-31	H75588	2G22	1	130-15	H76690	1G2	12	110-9
H63357	1E9	6	70-33	H75600	2C20	23	120-57	H76694	1G7	17	110-14
H63358	1E2	21	70-25	H75601	2C20	12	120-57	H76696	1F25	14	110-7
H63358	1E6	12	70-29	H75777	2A25	19	120-9	H76696	1F25	20	110-7
H63576	2E24	14	120-114	H75886	1G12	19	110-19	H76696	1G2	14	110-9
H63578	2E24	10	120-114	H75886	2J8	4	170-3	H76696	2F25	6	120-142
H63913	1E17	6	70-41	H75888	1G10	3	110-17	H76696	2G4	23	120-147
H63913	1E25	4	70-49	H75888	2J8	7	170-3	H76696	2G4	33	120-147
H64374	2C22	19	120-59	H75942	2E15	7	120-105	H76700	1G2	19	110-9
H64374	2E11	8	120-100	H75947	2C18	5	120-55	H76701	1F25	22	110-7
H64374	2E12	8	120-101	H75951	2D25	20	120-89	H76781	2E11	13	120-100
H64374	2E24	11	120-114	H75951	2E15	5	120-105	H76805	1F12	7	80-7
H64374	2F7	6	120-123	H75952	2D25	19	120-89	H76863	2D5	2	120-67
H64374	2F24	7	120-141	H75952	2E15	4	120-105	H76875	1F6	12	80-1
H64374	2G4	24	120-147	H75952	2E15	9	120-105	H76877	1F6	5	80-1
H64374	2I11	16	140-15	H75974	2E21	12	120-111	H76882	1F6	1	80-1
H64375	2B8	11	120-17	H75975	2E15	2	120-105	H76883	1F6	8	80-1
H64375	2D9	21	120-71	H75977	2E21	6	120-111	H76924	2G6	5	120-149
H64375	2D11	14	120-73	H75978	2E24	12	120-114	H76925	2G6	1	120-149
H64375	2E12	7	120-101	H75985	2E4	11	120-93	H76933	2G4	30	120-147
H64376	1G10	16	110-17	H75985	2E8	7	120-97	H76989	2C16	2	120-53
H64376	1G10	18	110-17	H75985	2E23	24	120-113	H77002	2C24	17	120-61
H64376	2B10	14	120-19	H76030	1G12	23	110-19	H77004	2C24	16	120-61
H64376	2C9	10A	120-45	H76030	2I5	10	140-9	H77010	2C22	28	120-59
H64376	2C9	10B	120-45	H76030	2I7	10	140-11	H77010	2C24	23	120-61
H64376	2C11	9	120-47	H76030	2J8	1	170-3	H77010	2I11	18	140-15
H64376	2G24	21	130-17	H76061	2D2	9	120-63	H77010	2J13	4	170-8
H64376	2G25	13	130-18	H76139	1B10	28	40-21	H77032	2E11	9	120-100
H64376	2H11	2	130-29	H76139	1F12	17	80-7	H77056	2E4	9	120-93
H65108	1B20	1	40-31	H76139	2B16	3	120-26	H77056	2E8	4	120-97

NUMERICAL INDEX - CONTINUED

PART NO.	GRID	KEY	PAGE	PART NO.	GRID	KEY	PAGE	PART NO.	GRID	KEY	PAGE
H77058	2E2	7	120-91	H80773	1F23	20	110-5	H83742	1F23	3	110-5
H77325	1G11	15	110-18	H80796	2J24	7	170-19	H83776	1G9	3	110-16
H77358	1E11	11	70-35	H80806	1G7	7	110-14	H83777	1G13	4	110-20
H77358	1E13	8	70-37	H80813	1E2	11	70-25	H83779	1G13	5	110-20
H77512	2B22	3	120-33	H80922	1G10	17	110-17	H83780	1G13	2	110-20
H77514	2B22	4	120-33	H80926	1F20	3	110-1	H83787	2F3	16	120-119
H77538	1G4	23	110-11	H80926	1F21	9	110-3	H83788	2F3	17	120-119
H77563	1G4	12	110-11	H80926	1G10	15	110-17	H83789	1B18	3	40-29
H77575	1F23	15	110-5	H81067	1B18	6	40-29	H83795	2G4	28	120-147
H77698	1B20	14	40-31	H81068	1B16	12	40-27	H83796	2G4	1A	120-147
H77698	1B20	18B	40-31	H81069	1B18	16	40-29	H83798	2G4	36	120-147
H77698	1B21	13	40-32	H81071	1B18	5	40-29	H83800	2G4	25	120-147
H77698	1B21	18B	40-32	H81074	1G7	20A	110-14	H83808	2G6	7	120-149
H77698	1E13	1	70-37	H81101	2G18	11	130-11	H83823	1G4	3	110-11
H77698	2I5	2	140-9	H81222	2I5	17	140-9	H83824	1G4	1	110-11
H77698	2I7	2	140-11	H81222	2I7	17	140-11	H84026	1G8	4	110-15
H77755	1G7	2	110-14	H81222	2I11	25	140-15	H84158	1G12	1	110-19
H77763	1G11	7	110-18	H81222	2I13	18	140-17	H84292	2B24	10	120-35
H77764	1G11	5	110-18	H81277	1G7	25	110-14	H84497	1G8	2	110-15
H77765	1G10	13	110-17	H81330	2F5	17	120-121	H84499	2C22	21	120-59
H77765	1G12	18	110-19	H81330	2H20	2	130-39	H84699	2G12	19	130-5
H77765	2J8	5	170-3	H81330	2H20	6	130-39	H84838	2D4	12	120-65
H77766	1G10	14	110-17	H81608	2I15	3	160-1	H84839	2D4	13	120-65
H77766	2E10	4	120-99	H81608	2I16	1	160-2	H84857	2B24	7	120-35
H77766	2E11	11	120-100	H81608	2I17	25	160-3	H84867	2B24	21	120-35
H77766	2E12	15	120-101	H81608	2I18	4	160-5	H84869	2B24	9	120-35
H77766	2F7	3	120-123	H81662	2J22	1	170-17	H84932	2G6	21	120-149
H77766	2J8	10	170-3	H81710	1G7	4	110-14	H84942	1G7	14	110-14
H77766	2J14	3	170-9	H81820	2E15	8	120-105	H84943	1G7	16	110-14
H77931	2C9	7	120-45	H81936	2D2	25	120-63	H84944	1G7	15	110-14
H78294	2E21	7	120-111	H81937	2D2	8	120-63	H84945	1G7	12	110-14
H78296	2E15	2	120-105	H82072	1G13	3	110-20	H84946	1G7	12	110-14
H78557	2F9	9	120-125	H82072	2E13	3	120-103	H84947	2J24	14	170-19
H78624	1F25	16	110-7	H82306	1G10	1	110-17	H84983	2F20	14	120-137
H78880	1G9	11	110-16	H82308	1D6	6	70-3	H84984	2F20	17	120-137
H78884	1C25	1	50-19	H82445	2C4	26	120-39	H84990	2F23	5	120-140
H78884	1G9	5	110-16	H82447	2C4	25	120-39	H84991	2F23	8	120-140
H79287	2J24	9	170-19	H82501	1F6	14	80-1	H84992	2F23	2	120-140
H79317	2J24	10	170-19	H82521	1G9	4	110-16	H85006	2F20	4	120-137
H79410	2G14	29	130-7	H82545	1F8	15	80-3	H85013	2F20	13	120-137
H79449	2B4	15	120-13	H82546	1F10	19	80-5	H85014	2F20	18	120-137
H79449	2B6	18	120-15	H82620	1C23	21	50-17	H85015	2E17	17	120-107
H79449	2C5	1	120-40	H82620	2I5	1	140-9	H85015	2E19	27	120-109
H79449	2C6	1	120-41	H82620	2I7	1	140-11	H85154	2F14	7	120-131
H79449	2C7	8	120-43	H82631	1F6	11	80-1	H85155	2F14	8	120-131
H79449	2H24	7	140-3	H82633	1F6	10	80-1	H85156	2F16	4	120-133
H79486	2B8	22	120-17	H82696	1F25	7	110-7	H85156	2F18	4	120-135
H79486	2B10	25	120-19	H82698	1F25	3	110-7	H85162	2F14	12	120-131
H79578	1E13	23	70-37	H82948	2E12	6	120-101	H85174	2F16	7	120-133
H79578	2D2	20	120-63	H83058	2C4	1	120-39	H85175	2F16	15	120-133
H79578	2G18	18	130-11	H83084	2C22	29	120-59	H85184	2F14	9	120-131
H79642	2B8	12	120-17	H83084	2J13	1	170-8	H85184	2F23	7	120-140
H79676	2E6	14	120-95	H83089	2C22	15	120-59	H85188	2F14	5	120-131
H79676	2E23	7	120-113	H83103	2E4	4	120-93	H85229	2C4	13	120-39
H79860	2C4	8	120-39	H83115	1F8	12	80-3	H85372	2C4	19	120-39
H79861	2C4	11	120-39	H83115	1F10	6	80-5	H85398	2J22	11	170-17
H79862	2C4	10	120-39	H83115	2D20	20	120-83	H86011	2I5	22	140-9
H79897	1B22	16	40-33	H83132	2G4	27	120-147	H86042	1B20	5	40-31
H79908	2J25	..	170-20	H83208	1E13	22	70-37	H86094	1G12	10	110-19
H80034	2J24	13	170-19	H83225	1G5	1	110-12	H86160	1D2	1	50-21
H80290	2C18	6	120-55	H83262	1D2	20A	50-21	H86161	1D2	1	50-21
H80404	1E7	6	70-30	H83263	1D2	21A	50-21	H86165	1D2	2	50-21
H80596	2J22	10	170-17	H83386	1F12	20	80-7	H86165	1D2	5	50-21
H80627	1A17	15	40-3	H83386	2C24	21	120-61	H86274	1E2	37	70-25
H80627	1A19	16	40-5	H83387	1B18	13	40-29	H86274	2I5	9	140-9
H80714	2C22	25	120-59	H83469	2D11	4	120-73	H86274	2I7	9	140-11
H80772	1F23	19	110-5	H83741	1F23	2	110-5	H86274	2J9	5	170-4

NUMERICAL INDEX - CONTINUED

PART NO.	GRID	KEY	PAGE	PART NO.	GRID	KEY	PAGE	PART NO.	GRID	KEY	PAGE
H86290	1F12	2	80-7	H89338	2I21	2	160-8	H93463	2D9	9	120-71
H86290	2G10	2	130-3	H89339	2I15	5	160-1	H93463	2J12	1	170-7
H86381	2J24	5	170-19	H89360	1F23	23	110-5	H93476	2D22	8	120-85
H86564	2J24	1	170-19	H89514	2I24	17	160-11	H93477	2D22	11	120-85
H86646	1G13	3	110-20	H89515	2I24	4	160-11	H93477	2J12	6	170-7
H86646	2F12	20	120-129	H89517	2E19	10	120-109	H93482	2H24	29	140-3
H86758	2E12	18	120-101	H89517	2E25	11	120-115	H93497	2H24	28	140-3
H86758	2E25	14	120-115	H89525	2D9	5	120-71	H93503	2I11	7	140-15
H86759	2E24	14	120-114	H89544	1F8	16	80-3	H93503	2J12	9	170-7
H86761	2E12	18	120-101	H89544	1F10	18	80-5	H93554	2D7	13	120-69
H86761	2E24	14	120-114	H89569	1F8	2	80-3	H93556	1F23	9	110-5
H86767	2D18	3	120-81	H89569	1F10	4	80-5	H93561	2C15	12	120-51
H86768	2D18	4	120-81	H89569	2G12	2	130-5	H93562	2D23	3	120-87
H86800	2J24	8	170-19	H89569	2H5	7	130-23	H93627	2I5	11	140-9
H86858	2G14	7	130-7	H89569	2H5	9	130-23	H93627	2I7	11	140-11
H86868	2D14	14	120-77	H89569	2H7	7	130-25	H93627	2J10	1	170-5
H86912	2F7	13	120-123	H89619	2C4	18	120-39	H93630	2I5	20	140-9
H86913	2F7	19	120-123	H89649	2C2	8	120-37	H93630	2I7	20	140-11
H86914	2F7	8	120-123	H89653	2C2	7	120-37	H93631	2I5	19	140-9
H87019	2C22	26	120-59	H89654	2C2	1	120-37	H93631	2I7	19	140-11
H87070	2E10	17	120-99	H89656	2C2	2	120-37	H93635	2A25	27	120-9
H871R	2B13	3	120-22	H89730	2D2	12	120-63	H93637	2A25	21	120-9
H87452	1F21	12	110-3	H89768	2I15	12	160-1	H93637	2B2	18	120-11
H87472	2C22	6	120-59	H89870	2I24	13	160-11	H93639	2A25	32	120-9
H87472	2D4	7	120-65	H89949	2I20	7	160-7	H93641	2A25	30	120-9
H87472	2E12	3	120-101	H89949	2I21	8	160-8	H93641	2B2	27	120-11
H87472	2E17	3	120-107	H91205	2C22	18	120-59	H93641	2J10	4	170-5
H87472	2E24	6	120-114	H91228	2G4	18	120-147	H93643	2A25	30	120-9
H87472	2F2	5	120-118	H91334	2E2	9	120-91	H93643	2J10	4	170-5
H87725	1F20	5	110-1	H91663	2G2	2	120-145	H93645	2B8	3	120-17
H87765	1F23	11	110-5	H91663	2G2	6	120-145	H93645	2B10	3	120-19
H87766	1F23	12	110-5	H91664	2G2	2	120-145	H93645	2J10	7	170-5
H87784	2G20	10	130-13	H91665	2G2	5	120-145	H93646	2A25	30	120-9
H88070	2D12	1	120-75	H91771	1C23	39	50-17	H93646	2J10	4	170-5
H88070	2D23	8	120-87	H91796	2G4	17	120-147	H93655	2A25	29	120-9
H88070	2G21	4	130-14	H91834	2F12	13	120-129	H93655	2B2	26	120-11
H88070	2G22	2	130-15	H91834	2J20	7	170-15	H93681	1D2	4	50-21
H88071	2G21	1	130-14	H92080	2F12	32	120-129	H93681	1D2	20B	50-21
H88071	2G22	4	130-15	H92080	2F24	17	120-141	H93876	1C23	22	50-17
H88188	1B10	37	40-21	H92080	2J20	10	170-15	H93876	2J9	1	170-4
H88188	1C19	13	50-13	H92432	1C23	37	50-17	H93876	2J18	1	170-13
H88188	1D11	6	70-9	H92436	1F10	28	80-5	H93890	1C23	23	50-17
H88338	1A24	9	40-11	H92437	1F8	7	80-3	H93891	1C23	23	50-17
H88338	2C9	31	120-45	H92513	2I3	9	140-7	H93892	1C23	23	50-17
H88338	2C11	30	120-47	H92514	2I3	8	140-7	H93893	1C23	23	50-17
H88767	1G4	11	110-11	H92517	2I3	16	140-7	H93894	1C23	16	50-17
H88783	2F25	4	120-142	H92654	1F8	24	80-3	H93927	1G10	8	110-17
H88783	2G1	4	120-143	H92654	1F10	11	80-5	H93931	2B8	1	120-17
H88790	2F20	12	120-137	H92684	2I5	12	140-9	H93931	2B10	1	120-19
H88800	2F23	12	120-140	H92684	2J9	3	170-4	H93959	2G20	6	130-13
H88803	2F16	14	120-133	H92725	1C11	25	50-5	H93959	2J18	3	170-13
H88804	2F23	9	120-140	H92725	1C13	25	50-7	H93999	2D9	8	120-71
H88807	2F25	8	120-142	H92751	1C24	6	50-18	H94011	1D2	18	50-21
H88807	2G1	8	120-143	H92862	2H24	31	140-3	H94092	1C23	10	50-17
H88809	2F25	3	120-142	H92886	2B21	8	120-31	H94114	2C7	3	120-43
H88822	2F20	9	120-137	H92887	2G10	7	130-3	H94127	2I11	17	140-15
H88857	1B22	14	40-33	H93057	2F9	6	120-125	H94166	1G12	3	110-19
H89052	1F21	8	110-3	H93058	2F9	15	120-125	H94167	2D2	13	120-63
H89084	2F7	2	120-123	H93166	1G2	15	110-9	H94243	2A25	7	120-9
H89084	2J14	2	170-9	H93170	1G2	10	110-9	H94254	2D11	5	120-73
H89297	2B4	17	120-13	H93218	1D1	2	50-20	H94254	2G4	8	120-147
H89331	2I17	6	160-3	H93385	2I5	35	140-9	H94254	2J20	4	170-15
H89335	2I17	10	160-3	H93386	2I5	38	140-9	H94268	2I5	14	140-9
H89335	2I18	3	160-5	H93386	2I7	35	140-11	H94268	2I7	14	140-11
H89336	2I20	5	160-7	H93399	2C20	8	120-57	H94268	2J20	5	170-15
H89336	2I21	1	160-8	H93420	2F5	11	120-121	H94277	2F1	4	120-116
H89338	2I20	4	160-7	H93462	2D9	4	120-71	H94330	1F6	13	80-1

NUMERICAL INDEX - CONTINUED

PART NO.	GRID	KEY	PAGE	PART NO.	GRID	KEY	PAGE	PART NO.	GRID	KEY	PAGE
H94333	2H25	20	140-4	H94997	1C19	15	50-13	H96301	2H15	38	130-33
H94334	2H25	18	140-4	H94997	1C21	15	50-15	H96345	2H18	12	130-37
H94335	2H25	17	140-4	H94998	1C19	7	50-13	H96346	2H18	5	130-37
H94337	1A17	28	40-3	H94998	1C21	7	50-15	H96361	2H18	10	130-37
H94337	1A19	30	40-5	H94999	1C17	6	50-11	H96362	2H18	11	130-37
H94353	2B4	11	120-13	H95028	2E12	9	120-101	H96396	2A21	11	120-5
H94353	2H24	8	140-3	H95029	2E12	11	120-101	H96399	2B4	5	120-13
H94386	2B4	12	120-13	H95041	1C9	8	50-3	H96399	2B6	4	120-15
H94386	2B6	15	120-15	H95041	1G5	11	110-12	H96400	2B4	23	120-13
H94387	2H24	9	140-3	H95042	1G5	10	110-12	H96401	2B4	21	120-13
H94388	1C25	2	50-19	H95094	1C23	4	50-17	H96403	2B4	6	120-13
H94389	1C25	5	50-19	H95095	1C23	17	50-17	H96403	2B6	6	120-15
H94393	1C8	5	50-1	H95100	1C19	22	50-13	H96408	2B10	4	120-19
H94393	1C9	3	50-3	H95100	1C21	22	50-15	H96409	2C5	15	120-40
H94394	1C8	6	50-1	H95105	2D25	14	120-89	H96410	2C5	11	120-40
H94394	1C9	4	50-3	H95120	1C23	30	50-17	H96410	2C6	11	120-41
H94426	1B19	13	40-30	H95174	1B14	13	40-25	H96411	2C5	13	120-40
H94479	2H24	35	140-3	H95174	1C14	9	50-8	H96411	2C6	14	120-41
H94496	2G20	22	130-13	H95174	1C19	23	50-13	H96414	2B10	6	120-19
H94505	1A21	5	40-7	H95174	1C21	23	50-15	H96414	2C5	17	120-40
H94505	1A23	7	40-9	H95174	1C23	25	50-17	H96414	2C9	36	120-45
H94505	1A23	11	40-9	H95174	1C24	13	50-18	H96414	2J11	2	170-6
H94505	2J2	2	160-13	H95174	2C6	15	120-41	H96419	2I13	5	140-17
H94506	1B21	12	40-32	H95174	2D14	22	120-77	H96420	2I13	6	140-17
H94507	2H24	19	140-3	H95182	2A18	12	120-1	H96421	2A25	37	120-9
H94508	1C23	19	50-17	H95191	1B19	6	40-30	H96421	2J10	5	170-5
H94508	2I5	4	140-9	H95192	1B19	5	40-30	H96422	2A25	37	120-9
H94508	2I7	4	140-11	H95195	1B19	2	40-30	H96422	2B2	31	120-11
H94508	2J9	2	170-4	H95223	2F9	2	120-125	H96422	2J10	5	170-5
H94509	2B4	3	120-13	H95431	1B6	3	40-17	H96423	2B10	4	120-19
H94509	2H24	22	140-3	H95431	1B8	6	40-19	H96455	2H15	25	130-33
H94510	2B4	4	120-13	H95481	1B20	13	40-31	H96579	2H9	5	130-27
H94510	2B6	3	120-15	H95481	2I5	5	140-9	H96604	1A17	14	40-3
H94510	2H24	21	140-3	H95560	1B14	19	40-25	H96645	2H20	15	130-39
H94511	2H24	20	140-3	H95560	1B19	7	40-30	H96652	2H15	3	130-33
H94623	2I24	14	160-11	H95651	1G8	2	110-15	H96652	2H20	2	130-39
H94628	1B21	6	40-32	H95674	2F24	10	120-141	H96652	2H20	3	130-39
H94664	1A21	6	40-7	H95783	1G12	5	110-19	H96652	2H20	4	130-39
H94664	1A23	8	40-9	H95857	1G12	4	110-19	H96652	2H20	5	130-39
H94664	1A23	12	40-9	H95869	2I1	6	140-5	H96655	2H20	20	130-39
H94664	2J2	1	160-13	H95874	1C17	5	50-11	H96678	1A17	32	40-3
H94669	2D7	6	120-69	H96051	2A25	11	120-9	H96678	1A19	33	40-5
H94702	2F7	21	120-123	H96051	2B2	8	120-11	H96754	2H9	19	130-27
H94703	2F7	5	120-123	H96051	2J10	3	170-5	H96838	1G2	17	110-9
H94728	2C13	7	120-49	H96117	2H11	17	130-29	H96857	1E13	14	70-37
H94728	2H21	8	130-40	H96132	2J22	3	170-17	H96996	2I5	7	140-9
H94728	2I9	2	140-13	H96148	2H18	4	130-37	H96996	2I7	7	140-11
H94729	2C12	7	120-48	H96149	2H11	7	130-29	H97024	1C11	14	50-5
H94729	2H21	1	130-40	H96166	2H11	10	130-29	H97024	1C13	14	50-7
H94729	2I8	2	140-12	H96169	2H11	1	130-29	H97026	1C11	4	50-5
H94747	2A18	8	120-1	H96227	2A25	22	120-9	H97026	1C13	4	50-7
H94747	2I1	5	140-5	H96227	2B2	19	120-11	H97064	2J22	9	170-17
H94748	2A18	7	120-1	H96228	2A25	2	120-9	H97115	2D7	5	120-69
H94748	2I1	4	140-5	H96228	2B2	2	120-11	H97170	1B21	1	40-32
H94780	2I1	1	140-5	H96228	2H18	8	130-37	H97304	2I5	32	140-9
H94800	1D2	4	50-21	H96232	2A25	23	120-9	H97305	2I5	30	140-9
H94856	1B22	4	40-33	H96232	2B2	20	120-11	H97306	2I5	31	140-9
H94862	2G16	16	130-9	H96234	2I3	4	140-7	H97306	2I7	32	140-11
H94863	2G16	14	130-9	H96248	2C20	26	120-57	H97322	1G7	13	110-14
H94990	1C24	9	50-18	H96248	2I11	6	140-15	H97335	1C15	2	50-9
H94992	1C24	3	50-18	H96248	2J12	4	170-7	H97336	1C15	6	50-9
H94993	1C19	3	50-13	H96249	2G4	26	120-147	H97420	2F12	24	120-129
H94993	1C24	5	50-18	H96250	2G4	22	120-147	H97502	2C15	11	120-51
H94994	1C19	11	50-13	H96267	2H11	6	130-29	H97503	2C15	1	120-51
H94995	1C19	1	50-13	H96294	2H11	15	130-29	H97513	2H25	19	140-4
H94996	1C19	10	50-13	H96297	2H11	14	130-29	H97513	2I13	13	140-17
H94996	1C21	11	50-15	H96298	2H11	14	130-29	H97542	2C22	31	120-59

NUMERICAL INDEX - CONTINUED

PART NO.	GRID	KEY	PAGE	PART NO.	GRID	KEY	PAGE	PART NO.	GRID	KEY	PAGE
H97546	2D22	20	120 - 85	H98523	2G12	14	130 - 5	H99923	2C5	14	120 - 40
H97574	2E17	19	120 - 107	H98576	2G16	6	130 - 9	H99923	2C22	13	120 - 59
H97574	2E19	29	120 - 109	H98581	2E11	18	120 - 100	H99923	2C24	9	120 - 61
H97576	2I3	15	140 - 7	H98654	2F12	4	120 - 129	H99923	2D7	11	120 - 69
H97600	2C20	3	120 - 57	H98655	2B4	18	120 - 13	H99923	2D9	1	120 - 71
H97600	2J12	5	170 - 7	H98655	2E13	9	120 - 103	H99923	2E10	16	120 - 99
H97602	2C9	24	120 - 45	H98655	2F12	27	120 - 129	H99923	2F5	26	120 - 121
H97602	2C11	23	120 - 47	H98655	2H25	8	140 - 4	H99923	2F12	26	120 - 129
H97606	2C9	21	120 - 45	H98655	2I13	21	140 - 17	H99923	2F25	1	120 - 142
H97606	2C11	20	120 - 47	H98859	2B21	12	120 - 31	H99923	2G14	21	130 - 7
H97674	1B2	12	40 - 13	H98887	2H9	17	130 - 27	H99923	2H17	29	130 - 35
H97674	1B4	14	40 - 15	H98887	2H21	9	130 - 40	H99923	2H20	24	130 - 39
H97675	1B2	15	40 - 13	H98891	2H9	14	130 - 27	H99925	1A17	6	40 - 3
H97675	1B4	17	40 - 15	H98892	2H9	11	130 - 27	H99925	1A19	6	40 - 5
H97701	2C20	19	120 - 57	H98895	2H9	9	130 - 27	H99933	2G14	2	130 - 7
H97735	2G24	11	130 - 17	H98955	2C9	16	120 - 45	H99988	2J24	3	170 - 19
H97764	2C18	1	120 - 55	H98955	2C11	14	120 - 47	H99996	2J24	12	170 - 19
H97782	2F5	20	120 - 121	H98970	2F1	2	120 - 116	H99997	2J24	4	170 - 19
H97783	2F5	4	120 - 121	H98970	2J16	5	170 - 11	JD10214	2B12	22	120 - 21
H97793	2C18	4	120 - 55	H99004	2D14	23	120 - 77	JD5255	2A18	5	120 - 1
H97824	2B24	7	120 - 35	H99074	2D14	9	120 - 77	JD5255	2J22	7	170 - 17
H97829	2B24	5	120 - 35	H99076	2D14	8	120 - 77	JD5401	2J22	13	170 - 17
H97931	1F12	14	80 - 7	H99112	2D16	11	120 - 79	JD5439	2J22	2	170 - 17
H97941	1B19	10	40 - 30	H99113	2D16	11	120 - 79	JD5592	2J22	12	170 - 17
H97942	1B19	12	40 - 30	H99147	2A23	10	120 - 7	JD7163	2G20	5	130 - 13
H97961	2E2	5	120 - 91	H99149	2B8	8	120 - 17	JD7378	1D2	14	50 - 21
H98034	1G2	9	110 - 9	H99149	2B10	10	120 - 19	JD7441	2B12	23	120 - 21
H98042	1G4	9	110 - 11	H99181	2C24	8	120 - 61	JD7681	2F7	9	120 - 123
H98043	1G4	24	110 - 11	H99182	2C24	4	120 - 61	JD7689	2F7	11	120 - 123
H98044	2H11	22	130 - 29	H99212	2B16	7	120 - 26	JD7759	2B2	4	120 - 11
H98045	2H11	16	130 - 29	H99212	2H21	3	130 - 40	JD7759	2F7	22	120 - 123
H98089	2B16	2	120 - 26	H99235	1B6	14	40 - 17	JD7759	2I5	21	140 - 9
H98089	2C13	3	120 - 49	H99235	1B8	23	40 - 19	JD7759	2I7	21	140 - 11
H98089	2I9	5	140 - 13	H99235	1F10	23	80 - 5	JD7760	1C17	9	50 - 11
H98091	2E4	21	120 - 93	H99253	2I3	1	140 - 7	JD7760	1C19	16	50 - 13
H98091	2E6	10	120 - 95	H99297	1F12	7	80 - 7	JD7760	1C21	16	50 - 15
H98146	2F5	2	120 - 121	H99297	1F12	20	80 - 7	JD7760	1C23	1	50 - 17
H98150	2H13	6	130 - 31	H99297	2C24	21	120 - 61	JD7768	2C22	14	120 - 59
H98152	2H13	4	130 - 31	H99308	2D2	18	120 - 63	JD7769	1C11	6	50 - 5
H98221	2D11	1	120 - 73	H99311	2D2	19	120 - 63	JD7769	1C13	6	50 - 7
H98221	2F24	14	120 - 141	H99313	2D20	11	120 - 83	JD7773	2B17	4	120 - 27
H98222	2F24	15	120 - 141	H99472	2E17	5	120 - 107	JD7788	2H24	17	140 - 3
H98246	2D2	3	120 - 63	H99480	2F3	17	120 - 119	JD7797	2A25	1	120 - 9
H98247	2C22	23	120 - 59	H99508	2F14	2	120 - 131	JD7797	2B2	1	120 - 11
H98248	2C22	3	120 - 59	H99509	2D7	15	120 - 69	JD7797	2B12	21	120 - 21
H98249	2D2	5	120 - 63	H99577	2G24	10	130 - 17	JD7797	2B16	5	120 - 26
H98274	1F12	5	80 - 7	H99577	2G25	2	130 - 18	JD7797	2B18	1	120 - 28
H98275	1F12	21	80 - 7	H99585	2H1	15	130 - 19	JD7797	2B19	6	120 - 29
H98276	1F12	22	80 - 7	H99597	2G14	10	130 - 7	JD7797	2C12	6	120 - 48
H98277	1F12	22	80 - 7	H99598	2G14	6	130 - 7	JD7797	2C13	6	120 - 49
H98301	2B17	5	120 - 27	H99599	2G14	4	130 - 7	JD7797	2C22	32	120 - 59
H98303	2H21	7	130 - 40	H99600	2G14	8	130 - 7	JD7797	2E17	20	120 - 107
H98306	2B19	7	120 - 29	H99613	2H18	2	130 - 37	JD7797	2E19	30	120 - 109
H98306	2F8	6	120 - 124	H99613	2H18	3	130 - 37	JD7797	2F8	1	120 - 124
H98342	2D20	13	120 - 83	H99618	2A18	3	120 - 1	JD7797	2G24	18	130 - 17
H98358	2G14	28	130 - 7	H99787	2H13	20	130 - 31	JD7797	2H18	9	130 - 37
H98390	2G25	11	130 - 18	H99848	2G12	22	130 - 5	JD7797	2H24	11	140 - 3
H98402	2J24	6	170 - 19	H99902	2H13	17	130 - 31	JD7797	2I8	7	140 - 12
H98427	2D16	5	120 - 79	H99903	2H15	11	130 - 33	JD7797	2I9	8	140 - 13
H98431	2D22	17	120 - 85	H99903	2H17	11	130 - 35	JD7798	1D2	17	50 - 21
H98466	2H5	7	130 - 23	H99904	2H13	15	130 - 31	JD7798	2C20	6	120 - 57
H98467	2H5	19	130 - 23	H99923	1G13	11	110 - 20	JD7798	2I11	3	140 - 15
H98468	2H5	1	130 - 23	H99923	2B8	14	120 - 17	JD7806	2A25	17	120 - 9
H98468	2H7	1	130 - 25	H99923	2B8	20	120 - 17	JD7806	2A25	20	120 - 9
H98485	2D25	11	120 - 89	H99923	2B8	23	120 - 17	JD7806	2B2	14	120 - 11
H98487	2D25	5	120 - 89	H99923	2B10	23	120 - 19	JD7806	2B17	4	120 - 27
H98490	2D25	5	120 - 89	H99923	2B10	26	120 - 19	JD7806	2C22	32	120 - 59

NUMERICAL INDEX - CONTINUED

PART NO.	GRID	KEY	PAGE	PART NO.	GRID	KEY	PAGE	PART NO.	GRID	KEY	PAGE
JD7806	2H21	10	130 - 40	JD9018	1D2	10	50 - 21	M40699	2C20	1	120 - 57
JD7819	2A25	14	120 - 9	JD9062	1C23	14	50 - 17	M40699	2D4	10	120 - 65
JD7819	2B2	11	120 - 11	JD9124	1C23	13	50 - 17	M40699	2E4	18	120 - 93
JD7819	2H11	18	130 - 29	JD9201	1G10	5	110 - 17	M40699	2E8	14	120 - 97
JD7839	2B2	29	120 - 11	JD9201	2C9	20	120 - 45	M40699	2E21	16	120 - 111
JD7845	2B17	1	120 - 27	JD9201	2C11	19	120 - 47	M40699	2E23	22	120 - 113
JD7845	2B18	8	120 - 28	JD9201	2G24	8	130 - 17	M40699	2F22	8	120 - 139
JD7845	2B19	9	120 - 29	JD9201	2G25	4	130 - 18	M40699	2G18	2	130 - 11
JD7845	2C12	8	120 - 48	JD9202	1G10	6	110 - 17	M40699	2H15	29	130 - 33
JD7845	2C13	8	120 - 49	JD9246	2C20	17	120 - 57	M40699	2H15	33	130 - 33
JD8239	2B12	5	120 - 21	JD9273	2D4	3	120 - 65	M40808	1C23	2	50 - 17
JD8240	1C23	24	50 - 17	JD9273	2D22	6	120 - 85	M41139	2F5	16	120 - 121
JD8247	1C23	8	50 - 17	JD9273	2E12	4	120 - 101	M42230	1A17	16	40 - 3
JD8248	1D2	11	50 - 21	JD9273	2E17	4	120 - 107	M42561	1A21	14	40 - 7
JD8255	1C23	36	50 - 17	JD9273	2E19	6	120 - 109	M42561	1A23	1	40 - 9
JD8296	1D2	13	50 - 21	JD9273	2E24	7	120 - 114	M43835	1B8	32	40 - 19
JD8524	2H11	8	130 - 29	JD9273	2E25	6	120 - 115	M43835	1C2	2	40 - 37
JD8544	1G12	8	110 - 19	JD9273	2F2	6	120 - 118	M47566	1B20	4	40 - 31
JD8544	2D11	9	120 - 73	JD9273	2F5	24	120 - 121	M47566	1B21	3	40 - 32
JD8544	2G20	20	130 - 13	JD9273	2H20	16	130 - 39	M63707	2B12	14	120 - 21
JD8551	2C20	11	120 - 57	JD9274	2D11	13	120 - 73	M66044	1B2	8	40 - 13
JD8554	1G7	9	110 - 14	JD9274	2G20	9	130 - 13	M66044	1B4	13	40 - 15
JD8554	2C22	9	120 - 59	JD9275	2F24	4	120 - 141	M66044	1B10	32	40 - 21
JD8554	2D4	5	120 - 65	JD9276	2G24	9	130 - 17	M66044	1B20	10	40 - 31
JD8554	2E11	6	120 - 100	JD9276	2G25	9	130 - 18	M66044	1B21	10	40 - 32
JD8554	2E12	2	120 - 101	JD9305	1C14	3	50 - 8	M66044	1D13	4	70 - 11
JD8554	2E17	2	120 - 107	JD9305	1C19	2	50 - 13	M66044	2B16	6	120 - 26
JD8554	2E19	4	120 - 109	JD9305	1C21	2	50 - 15	M66044	2B19	1	120 - 29
JD8554	2E24	5	120 - 114	JD9334	2C9	22	120 - 45	M66044	2C12	1	120 - 48
JD8554	2E25	4	120 - 115	JD9365	2B8	6	120 - 17	M66044	2C13	1	120 - 49
JD8554	2F2	4	120 - 118	JD9428	2I3	6	140 - 7	M66044	2I8	1	140 - 12
JD8554	2F3	24	120 - 119	JD9429	2I3	7	140 - 7	M66044	2I9	3	140 - 13
JD8554	2F5	22	120 - 121	JD9431	2B8	9	120 - 17	M66314	1F25	5	110 - 7
JD8554	2G4	14	120 - 147	JD9434	2A25	5	120 - 9	M80072	2G18	3	130 - 11
JD8554	2H20	18	130 - 39	JD9434	2C9	22	120 - 45	M80170	1E2	5	70 - 25
JD8562	2F2	6	120 - 118	JD9434	2C11	21	120 - 47	M80170	1E6	5	70 - 29
JD8563	2F2	4	120 - 118	JD9442	2G4	20	120 - 147	N100007	2G14	15	130 - 7
JD8563	2G4	21	120 - 147	JD9452	1G12	6	110 - 19	N100101	2D9	5	120 - 71
JD8576	2F24	2	120 - 141	J13683	2F12	12	120 - 129	N100981	2A21	10	120 - 5
JD8579	1C14	8	50 - 8	J15524	1D1	9	50 - 20	N101344	2E10	7	120 - 99
JD8579	1C19	5	50 - 13	J16931	2E21	8	120 - 111	N10212	1B10	10	40 - 21
JD8579	1C21	5	50 - 15	J17823	2F7	10	120 - 123	N10212	1E11	18	70 - 35
JD8593	2D9	19	120 - 71	J21022	2C22	30	120 - 59	N10212	1F12	11	80 - 7
JD8593	2D22	15	120 - 85	J21022	2E17	22	120 - 107	N10212	2A19	2	120 - 3
JD8593	2E2	4	120 - 91	J21022	2E19	33	120 - 109	N10212	2B14	7	120 - 23
JD8593	2E17	14	120 - 107	K40014	2B4	15	120 - 13	N10212	2C18	3	120 - 55
JD8593	2E19	21	120 - 109	K40014	2B6	18	120 - 15	N10212	2D2	1	120 - 63
JD8593	2I11	14	140 - 15	K40014	2C5	1	120 - 40	N10212	2D2	2	120 - 63
JD8594	2D9	12	120 - 71	K40014	2C6	1	120 - 41	N10212	2D2	10	120 - 63
JD8594	2D22	13	120 - 85	K40014	2C7	8	120 - 43	N10212	2D2	24	120 - 63
JD8594	2E2	2	120 - 91	K40014	2H24	7	140 - 3	N10212	2D7	10	120 - 69
JD8594	2E17	13	120 - 107	K40015	1C9	9	50 - 3	N10212	2D25	15	120 - 89
JD8594	2E19	19	120 - 109	K40015	1C9	10	50 - 3	N10212	2D25	17	120 - 89
JD8594	2I11	11	140 - 15	L1912C	1G12	17	110 - 19	N10212	2E15	3	120 - 105
JD8597	2E11	7	120 - 100	L2282N	1C23	32	50 - 17	N10212	2F10	2	120 - 127
JD8662	2F12	11	120 - 129	L24517	1D10	8	70 - 7	N10212	2F16	12	120 - 133
JD8665	1G7	5	110 - 14	M2023T	2E10	7	120 - 99	N10212	2F18	10	120 - 135
JD8665	2C22	7	120 - 59	M2300T	2C22	11	120 - 59	N10212	2F23	11	120 - 140
JD8665	2F3	25	120 - 119	M2300T	2G4	16	120 - 147	N10212	2G6	9	120 - 149
JD8665	2G4	12	120 - 147	M2848DN	2F7	20	120 - 123	N10212	2G12	11	130 - 5
JD8665	2H20	16	130 - 39	M3649T	2G20	4	130 - 13	N10212	2G12	17	130 - 5
JD8668	2I3	6	140 - 7	M40283	2E13	2	120 - 103	N10212	2G12	21	130 - 5
JD8669	2I3	7	140 - 7	M40333	2A23	9	120 - 7	N10212	2G14	3	130 - 7
JD8922	1C23	7	50 - 17	M40333	2B12	14	120 - 21	N10212	2G16	1	130 - 9
JD8960	2B12	6	120 - 21	M40699	1C19	19	50 - 13	N10212	2G16	3	130 - 9
JD8965	1C23	35	50 - 17	M40699	1C21	19	50 - 15	N10212	2G16	11	130 - 9
JD9014	1C23	26	50 - 17	M40699	1C25	6	50 - 19	N10212	2G18	4	130 - 11

NUMERICAL INDEX - CONTINUED

PART NO.	GRID	KEY	PAGE	PART NO.	GRID	KEY	PAGE	PART NO.	GRID	KEY	PAGE
N10212	2H1	3	130 - 19	N10213	2H3	7	130 - 21	N130510	1E6	1	70 - 29
N10212	2H1	20	130 - 19	N10213	2H5	4	130 - 23	N13136	1G8	9	110 - 15
N10212	2H3	3	130 - 21	N10213	2H5	5	130 - 23	N13359	2F12	23	120 - 129
N10212	2H5	4	130 - 23	N10213	2H5	12	130 - 23	N146275	2I17	7	160 - 3
N10212	2H7	2	130 - 25	N10213	2H7	3	130 - 25	N14820	2G14	7	130 - 7
N10212	2H13	5	130 - 31	N10213	2H7	10	130 - 25	N15234	2C6	17	120 - 41
N10212	2H20	13	130 - 39	N10213	2H9	1	130 - 27	N15764	2C20	16	120 - 57
N10213	1B2	2	40 - 13	N10213	2H13	5	130 - 31	N166516	1C14	2	50 - 8
N10213	1B4	2	40 - 15	N10213	2H13	7	130 - 31	N166516	1C21	1	50 - 15
N10213	1B10	9	40 - 21	N10213	2H20	13	130 - 39	N167650	2H13	5	130 - 31
N10213	1B14	13	40 - 25	N10213	2H20	22	130 - 39	N167650	2H20	13	130 - 39
N10213	1B14	16	40 - 25	N10214	2E6	1	120 - 95	N170669	1C9	1	50 - 3
N10213	1B18	12	40 - 29	N10214	2E23	30	120 - 113	N33203	1E19	14	70 - 43
N10213	1F12	11	80 - 7	N10214	2H13	11	130 - 31	N33203	1E21	14	70 - 45
N10213	1F12	19	80 - 7	N10214	2H13	12	130 - 31	N34986	1E2	14	70 - 25
N10213	1F25	18	110 - 7	N10215	1F23	1	110 - 5	N60415	2G22	9	130 - 15
N10213	2A18	1	120 - 1	N10215	1F23	10	110 - 5	N71292	1F12	19	80 - 7
N10213	2A23	5	120 - 7	N10215	1F23	13	110 - 5	N71292	2C18	2	120 - 55
N10213	2B21	6	120 - 31	N10215	1F23	18	110 - 5	N71292	2D2	6	120 - 63
N10213	2C18	2	120 - 55	N10215	2B21	6	120 - 31	N71292	2D25	2	120 - 89
N10213	2C18	3	120 - 55	N10215	2B21	16	120 - 31	N71292	2E23	29	120 - 113
N10213	2C22	5	120 - 59	N10215	2B21	17	120 - 31	N71292	2F2	12	120 - 118
N10213	2D2	2	120 - 63	N10215	2E2	10	120 - 91	N71292	2F16	6	120 - 133
N10213	2D2	6	120 - 63	N10215	2E6	1	120 - 95	N71292	2F18	6	120 - 135
N10213	2D2	14	120 - 63	N10215	2E6	9	120 - 95	N71292	2G10	12	130 - 3
N10213	2D2	22	120 - 63	N10215	2E23	30	120 - 113	N71292	2G16	2	130 - 9
N10213	2D2	24	120 - 63	N10215	2F16	17	120 - 133	N71292	2H1	20	130 - 19
N10213	2D7	4	120 - 69	N10215	2F16	18	120 - 133	N71921	2H11	4	130 - 29
N10213	2D7	17	120 - 69	N10215	2F18	17	120 - 135	N72620	2G25	8	130 - 18
N10213	2D14	1	120 - 77	N10215	2F18	18	120 - 135	N72989	2H18	13	130 - 37
N10213	2D14	3	120 - 77	N10215	2F22	2	120 - 139	N85515	2E11	13	120 - 100
N10213	2D25	2	120 - 89	N10215	2F22	5	120 - 139	PT94	1C23	31	50 - 17
N10213	2D25	17	120 - 89	N10215	2G4	7	120 - 147	PT94	1C23	..	50 - 17
N10213	2E15	3	120 - 105	N10215	2G6	10	120 - 149	P16643	2C22	16	120 - 59
N10213	2E15	6	120 - 105	N10215	2G24	20	130 - 17	P16643	2C22	17	120 - 59
N10213	2E21	2	120 - 111	N10215	2H1	14	130 - 19	P20352	2E24	3	120 - 114
N10213	2E23	2	120 - 113	N10215	2H9	16	130 - 27	P20352	2F1	3	120 - 116
N10213	2F2	12	120 - 118	N10215	2H13	1	130 - 31	P20352	2F3	21	120 - 119
N10213	2F3	19	120 - 119	N10215	2H13	11	130 - 31	P20352	2J16	6	170 - 11
N10213	2F16	12	120 - 133	N10215	2H13	12	130 - 31	P3629H	2B8	17	120 - 17
N10213	2F18	10	120 - 135	N10215	2I15	1	160 - 1	P3629H	2B10	20	120 - 19
N10213	2F20	16	120 - 137	N10215	2I20	11	160 - 7	P37172	1C23	3	50 - 17
N10213	2F22	11	120 - 139	N10217	1B14	14	40 - 25	P39705	2D14	20	120 - 77
N10213	2F23	4	120 - 140	N10217	1B22	1	40 - 33	P39723	2D14	16	120 - 77
N10213	2F23	10	120 - 140	N10217	1B22	12	40 - 33	P41492	1G11	9	110 - 18
N10213	2F23	11	120 - 140	N10217	2D2	7	120 - 63	P41706	1F8	21	80 - 3
N10213	2F24	8	120 - 141	N10217	2D14	15	120 - 77	P41706	1F10	7	80 - 5
N10213	2G6	9	120 - 149	N10217	2G14	9	130 - 7	P41706	2G12	1	130 - 5
N10213	2G10	12	130 - 3	N10217	2I22	2	160 - 9	P42232	1G12	16	110 - 19
N10213	2G12	11	130 - 5	N10219	2C22	5	120 - 59	P42232	2F7	18	120 - 123
N10213	2G12	17	130 - 5	N10219	2D2	27	120 - 63	P42406	2E21	15	120 - 111
N10213	2G12	24	130 - 5	N104243	1F20	12	110 - 1	P42406	2E23	1	120 - 113
N10213	2G14	3	130 - 7	N104243	1F21	13	110 - 3	P42987	1B10	35	40 - 21
N10213	2G16	1	130 - 9	N10542	1B22	1	40 - 33	P43110	2C4	27	120 - 39
N10213	2G16	2	130 - 9	N110085	2E13	5	120 - 103	P43363	2I11	1	140 - 15
N10213	2G16	3	130 - 9	N110085	2E17	26	120 - 107	P43454	1F8	23	80 - 3
N10213	2G16	5	130 - 9	N110085	2I11	28	140 - 15	P43454	1F10	10	80 - 5
N10213	2G16	11	130 - 9	N110085	2J16	2	170 - 11	P44439	2F5	23	120 - 121
N10213	2G18	4	130 - 11	N112200	1B14	13	40 - 25	P44439	2G4	11	120 - 147
N10213	2G18	15	130 - 11	N112200	2C22	5	120 - 59	P45427	2B24	15	120 - 35
N10213	2G25	7	130 - 18	N112200	2D2	10	120 - 63	P45476	1B16	17	40 - 27
N10213	2H1	3	130 - 19	N112200	2D7	21	120 - 69	P45476	1B22	15	40 - 33
N10213	2H1	10	130 - 19	N115096	1C2	11	40 - 37	P45750	1D10	7	70 - 7
N10213	2H1	18	130 - 19	N126257	1E2	28	70 - 25	P45750	1E11	27	70 - 35
N10213	2H1	20	130 - 19	N126257	1E4	7	70 - 27	P46051	1E2	7	70 - 25
N10213	2H2	2	130 - 20	N130510	1E2	1	70 - 25	P46051	1E4	2	70 - 27
N10213	2H3	3	130 - 21	N130510	1E4	1	70 - 27	P46051	1E6	7	70 - 29

NUMERICAL INDEX - CONTINUED

PART NO.	GRID	KEY	PAGE	PART NO.	GRID	KEY	PAGE	PART NO.	GRID	KEY	PAGE
P46115	2C4	4	120-39	R26219	2I5	37	140-9	R36402	1C13	16	50-7
P46402	2B6	12	120-15	R26223	2F12	6	120-129	R36423	1C23	15	50-17
P46614	2E13	8	120-103	R26246	2B12	30	120-21	R36426	1D6	11	70-3
P46614	2F12	29	120-129	R26375	1D6	3	70-3	R36426	1D11	9	70-9
P46614	2H25	6	140-4	R26375	1D8	2	70-5	R36426	1D13	2	70-11
P46614	2I13	19	140-17	R26375	1D10	2	70-7	R36636	1D25	3	70-23
P46874	2F7	12	120-123	R26375	1D11	10	70-9	R375R	1D25	9	70-23
P46993	2A25	3	120-9	R26375	1D13	1	70-11	R375R	1E7	8	70-30
P46993	2B2	3	120-11	R26375	1D25	7	70-23	R375R	1E8	4	70-31
P46993	2H11	12	130-29	R26375	1E2	25	70-25	R375R	1E9	7	70-33
P46993	2H11	22	130-29	R26375	1E11	26	70-35	R38131	2B12	29	120-21
P46993	2H11	24	130-29	R26375	2I15	6	160-1	R39112	1D25	8	70-23
P47039	2E21	1	120-111	R26375	2I15	15	160-1	R39112	1E2	24	70-25
P47159	1F8	18	80-3	R26375	2I16	6	160-2	R39112	2I15	16	160-1
P47159	1F10	16	80-5	R26375	2I17	21	160-3	R39112	2I17	22	160-3
P47159	2F5	8	120-121	R26375	2I20	9	160-7	R41465	1A17	25	40-3
P47159	2H5	7	130-23	R26375	2I20	16	160-7	R41879	1A17	8	40-3
P47159	2H5	10	130-23	R26375	2I21	6	160-8	R41879	1A19	8	40-5
P47159	2H7	8	130-25	R26448	1D13	10	70-11	R41880	1A17	9	40-3
P47415	1F8	8	80-3	R26448	1E13	3	70-37	R41880	1A19	9	40-5
P47415	1F10	27	80-5	R26448	2I17	24	160-3	R42689	1B14	26	40-25
P48067	2F23	15	120-140	R26448	2I20	19	160-7	R42729	2B8	14	120-17
P48691	2I5	23	140-9	R26906	1E11	7	70-35	R42729	2B8	20	120-17
P48691	2I7	23	140-11	R27095	1D6	16	70-3	R42729	2B10	23	120-19
P48703	1D2	4	50-21	R27175	1D25	6	70-23	R42729	2G1	5	120-143
P48703	1D2	21B	50-21	R27218	2I17	23	160-3	R45440	1B2	10	40-13
P50635	1E19	8	70-43	R27270	1E11	13	70-35	R45440	1B4	10	40-15
P50635	1E21	8	70-45	R27899	1C19	20	50-13	R48293	1B14	26	40-25
P50635	1F2	6	70-51	R27899	1C21	20	50-15	R48887	1C2	17	40-37
P51212	1D15	15	70-13	R28006	1D6	1	70-3	R495R	1E15	7	70-39
P51212	1D21	7	70-19	R28695	2D16	16	120-79	R495R	1E23	5	70-47
P51212	1E7	4	70-30	R28776	1E7	9	70-30	R50875	2H17	25	130-35
P51212	1E8	2	70-31	R28776	1E8	5	70-31	R51031	1E2	27	70-25
P51212	1E9	4	70-33	R28776	1E9	8	70-33	R52233	1F8	33	80-3
P51263	1B2	4	40-13	R28782	1D13	8	70-11	R52233	1F10	29	80-5
P51444	1E2	15	70-25	R28782	1E2	26	70-25	R52667	2J3	1	160-14
P5424H	2E2	8	120-91	R28782	1E13	3	70-37	R54057	1A17	2	40-3
P5424H	2E17	6	120-107	R29936	1D25	2	70-23	R54057	1A19	2	40-5
P5424H	2E19	11	120-109	R29936	1E11	1	70-35	R56724	2D9	3	120-71
P5424H	2E25	12	120-115	R30182	1B14	9	40-25	R56930	1E19	17	70-43
RE11154	1B6	24	40-17	R30182	1B16	1	40-27	R56930	1E21	17	70-45
RE11154	1B8	37	40-19	R30378	1C4	43	40-39	R59074	1D2	9	50-21
RE11154	1B8	38	40-19	R30815	1D6	10	70-3	R60671	2D22	2	120-85
RE11154	1B24	40	40-35	R30815	1D10	3	70-7	R62070	1D13	19	70-11
RE11154	1C4	57	40-39	R31250	1B14	9	40-25	R65593	1B22	8	40-33
RE11156	1A17	21	40-3	R31250	1B16	1	40-27	R65593	1B24	2	40-35
RE11156	1A19	20	40-5	R32007	1B21	17	40-32	R65594	1B24	9	40-35
RE11156	1B6	22	40-17	R32011	1B24	8	40-35	R65595	1B24	21	40-35
RE11156	1B8	31	40-19	R32016	1B24	10	40-35	R65596	1B24	22	40-35
RE11156	1C2	36	40-37	R32017	1B24	11	40-35	R65597	1B24	23	40-35
RE11157	1A17	23	40-3	R32018	1B8	33	40-19	R65598	1B24	24	40-35
RE11157	1A19	21	40-5	R32018	1B20	15	40-31	R65599	1B24	25	40-35
RE11157	1B2	16	40-13	R32018	1B21	17	40-32	R65600	1B8	30	40-19
RE11157	1B4	7	40-15	R32018	1B22	8	40-33	R65600	1B24	26	40-35
RE11157	1C2	37	40-37	R32018	1B24	12	40-35	R65601	1B24	27	40-35
RE12363	1B6	6	40-17	R32019	1B24	13	40-35	R65602	1B24	28	40-35
RE12363	1B8	17	40-19	R32021	1B24	14	40-35	R65602	1C4	49	40-39
RE12363	1B8	40	40-19	R32022	1B24	15	40-35	R65603	1B24	29	40-35
RV810A	2E4	15	120-93	R32023	1B24	16	40-35	R65604	1B24	30	40-35
RV810A	2E8	11	120-97	R32024	1C5	3	40-40	R65605	1B24	31	40-35
RV810A	2E21	21	120-111	R32025	1C5	4	40-40	R65606	1B24	32	40-35
RV810A	2E23	26	120-113	R32026	1B24	17	40-35	R65607	1B24	33	40-35
R11278	1A17	29	40-3	R32026	1C4	48	40-39	R65607	1C4	46	40-39
R11278	1A19	17	40-5	R32027	1B24	18	40-35	R65608	1B24	3	40-35
R19N	1A24	1	40-11	R32028	1B24	19	40-35	R65609	1B24	6	40-35
R19N	2C9	32	120-45	R32029	1B24	20	40-35	R65610	1B24	7	40-35
R19N	2C11	31	120-47	R36402	1C11	16	50-5	R66195	2B13	5	120-22

NUMERICAL INDEX - CONTINUED

PART NO.	GRID	KEY	PAGE	PART NO.	GRID	KEY	PAGE	PART NO.	GRID	KEY	PAGE
R66319	1B20	15	40-31	R77456	1A19	25	40-5	R77489	1C4	51	40-39
R66319	1B24	1	40-35	R77456	1B8	22	40-19	R77490	1C4	51	40-39
R66320	1B24	5	40-35	R77456	1C2	27	40-37	R77491	1C4	54	40-39
R66320	1C2	24	40-37	R77457	1A19	26	40-5	R77492	1C4	54	40-39
R66321	1B24	4	40-35	R77457	1B4	8	40-15	R77493	1C4	51	40-39
R66321	1C2	24	40-37	R77457	1C2	29	40-37	R77494	1C4	55	40-39
R67210	1A17	35	40-3	R77458	1A17	23	40-3	R77495	1C4	52	40-39
R67210	1A19	36	40-5	R77458	1A19	21	40-5	R77496	1C4	52	40-39
R67211	1A17	5	40-3	R77458	1A19	26	40-5	R77497	1C4	53	40-39
R67211	1A19	5	40-5	R77458	1B2	16	40-13	R77498	1C2	24	40-37
R67215	1A17	11	40-3	R77458	1B4	7	40-15	R77499	1C2	24	40-37
R67215	1A19	11	40-5	R77458	1B4	8	40-15	R77500	1C2	24	40-37
R67377	1B14	6	40-25	R77458	1B6	23	40-17	R77501	1C2	24	40-37
R67377	1B14	28	40-25	R77458	1B8	24	40-19	R77502	1B8	37	40-19
R67377	1B16	5	40-27	R77458	1C2	28	40-37	R77502	1C4	56	40-39
R67452	1A17	34	40-3	R77459	1C2	28	40-37	R77503	1C4	56	40-39
R67452	1A19	35	40-5	R77460	1A19	37	40-5	R78060	1B6	6	40-17
R69406	1C11	21	50-5	R77460	1B8	28	40-19	R78060	1B8	17	40-19
R69406	1C13	21	50-7	R77460	1C2	28	40-37	R78060	1B8	41	40-19
R70210	1B6	25	40-17	R77461	1B10	30	40-21	R78063	1B6	6	40-17
R70210	1B8	1	40-19	R77461	1C2	28	40-37	R78063	1B8	17	40-19
R70210	1B8	5	40-19	R77462	1B8	25	40-19	R78063	1B8	42	40-19
R70210	1B8	36	40-19	R77462	1C2	25	40-37	TY15130	1C23	..	50-17
R70210	1B14	29	40-25	R77463	1C2	30	40-37	TY6662	1B8	25	40-19
R70210	1C2	41	40-37	R77464	1A17	21	40-3	T12274	2F16	2	120-133
R70211	1B6	26	40-17	R77464	1A19	25	40-5	T12274	2F18	2	120-135
R70211	1B8	4	40-19	R77464	1B6	22	40-17	T12892	1A24	3	40-11
R70211	1B14	29	40-25	R77464	1B8	22	40-19	T12956	1E2	31	70-25
R70211	1C2	40	40-37	R77464	1B8	25	40-19	T12956	1E4	10	70-27
R70211	1C2	41	40-37	R77464	1B8	29	40-19	T12958	1E2	29	70-25
R70212	1B4	19	40-15	R77464	1B10	30	40-21	T12959	1E2	30	70-25
R70212	1C2	41	40-37	R77464	1C2	26	40-37	T12959	1E4	9	70-27
R70213	1B4	12	40-15	R77464	2J2	10	160-13	T12960	1D10	9	70-7
R70213	1C2	40	40-37	R77465	1A17	23	40-3	T14189	1B12	1	40-23
R70213	1C2	41	40-37	R77465	1A19	26	40-5	T14323	2B12	26	120-21
R70214	1C2	41	40-37	R77465	1A19	37	40-5	T19972	1E2	3	70-25
R70215	1C2	40	40-37	R77465	1B2	16	40-13	T19972	1E6	3	70-29
R70215	1C2	41	40-37	R77465	1B4	8	40-15	T20217	2A23	25	120-7
R70216	1C2	41	40-37	R77465	1B6	23	40-17	T21158	1C15	7	50-9
R70217	1C2	40	40-37	R77465	1B8	24	40-19	T23876	2D2	7	120-63
R70217	1C2	41	40-37	R77465	1B8	28	40-19	T25879	1C11	15	50-5
R70218	1C2	41	40-37	R77465	1B10	30	40-21	T25879	1C13	15	50-7
R70219	1C2	40	40-37	R77465	1C2	31	40-37	T27624	1E7	3	70-30
R70219	1C2	41	40-37	R77466	1C2	33	40-37	T27624	1E8	1	70-31
R70220	1C4	50	40-39	R77467	1C2	34	40-37	T27624	1E9	3	70-33
R70221	1C2	39	40-37	R77468	1C2	32	40-37	T28583	1B24	34	40-35
R70222	1B4	12	40-15	R77469	1A19	13	40-5	T28583	1C2	1	40-37
R70222	1B6	25	40-17	R77469	1C2	35	40-37	T28585	1B24	35	40-35
R70222	1B6	26	40-17	R77470	1C4	45	40-39	T28585	1C2	12	40-37
R70222	1B8	4	40-19	R77471	1C4	45	40-39	T28586	1C2	14	40-37
R70222	1B8	5	40-19	R77472	1C4	45	40-39	T29342	2A23	21	120-7
R70222	1B8	36	40-19	R77473	1C4	45	40-39	T32231	1B6	10	40-17
R70222	1B14	29	40-25	R77474	1C4	44	40-39	T32231	1B8	8	40-19
R70222	1C2	38	40-37	R77475	1C2	13	40-37	T32231	1B14	18	40-25
R71580	2B13	2	120-22	R77476	1C2	3	40-37	T32231	1B16	15	40-27
R71756	2B13	6	120-22	R77477	1C2	4	40-37	T34067	1C2	18	40-37
R71758	2B13	1	120-22	R77478	1C2	15	40-37	T35983	2I18	1	160-5
R74591	1C11	23	50-5	R77479	1C2	5	40-37	T37851	2E8	16	120-97
R74591	1C13	23	50-7	R77480	1C2	6	40-37	T37863	1E13	10	70-37
R74592	1C11	22	50-5	R77481	1C2	7	40-37	T43514	1C23	..	50-17
R74592	1C13	22	50-7	R77482	1C2	8	40-37	T43515	2B12	..	120-21
R74593	1C11	19	50-5	R77483	1C2	16	40-37	T44325	1D2	3	50-21
R74593	1C13	19	50-7	R77484	1C2	19	40-37	T49215	1D6	5	70-3
R74594	1C11	20	50-5	R77485	1C2	21	40-37	T49269	1G12	5	110-19
R74594	1C13	20	50-7	R77486	1C2	22	40-37	U10063	2B12	16	120-21
R76873	1B8	29	40-19	R77487	1C2	23	40-37	U12547	1D25	5	70-23
R76873	2J2	10	160-13	R77488	1C4	51	40-39	U12547	1E11	6	70-35

1L25

COMBINE - 7721

NUMERICAL INDEX - CONTINUED

PART NO.	GRID	KEY	PAGE	PART NO.	GRID	KEY	PAGE	PART NO.	GRID	KEY	PAGE
U12622	2H15	32	130-33								
U13102	2H17	22	130-35								
U14273	1C23	12	50-17								
U14554	2F12	30	120-129								
U15415	1E15	12	70-39								
U15415	1E23	8	70-47								
U15973	1E17	9	70-41								
U15973	1E25	7	70-49								
U15980	1D15	16	70-13								
U15980	1D21	8	70-19								
U15980	1D23	1	70-21								
U16068	2H11	9	130-29								
U16721	2E10	18	120-99								
U17408	2C5	4	120-40								
U17408	2C6	4	120-41								
U17408	2C7	17	120-43								
U40538	2E10	12	120-99								
U40745	1E2	18	70-25								
U40745	1E4	6	70-27								
U40745	1E6	14	70-29								
U40962	1D15	20	70-13								
U40962	1D23	2	70-21								
U45916	1B22	17	40-33								
U46370	1B8	2	40-19								
U46370	1B24	36	40-35								
U46370	1C2	20	40-37								
U46662	1B24	37	40-35								
U46662	1C2	10	40-37								
U46663	1B24	38	40-35								
U46664	1B24	39	40-35								
U46664	1C4	47	40-39								
W13288	1E19	2	70-43								
W13288	1E21	2	70-45								
W23122	1C23	2	50-17								
W30317	2A23	13	120-7								
Z29304	2I17	16	160-3								
Z40862	1B8	35	40-19								
Z6451H	2F23	13	120-140								
Z699H	2C22	27	120-59								
Z699H	2D9	6	120-71								
Z699H	2E17	18	120-107								
Z699H	2E19	28	120-109								
Z8946H	2F23	14	120-140								
Z9735H	1E19	17	70-43								
Z9785H	1C17	4	50-11								
1C3621H	1C15	7	50-9								
124424	1F23	22	110-5								
17047	2I24	6	160-11								
28316	1C8	3	50-1								
28316	1C9	6	50-3								
32238	1D13	19	70-11								